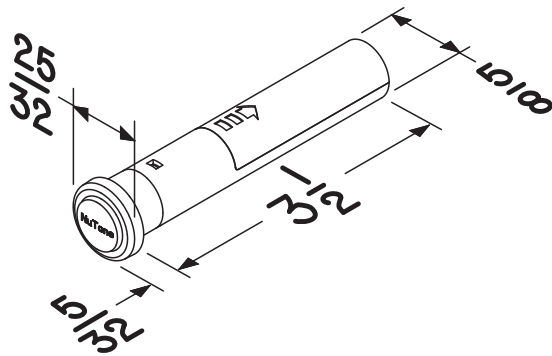
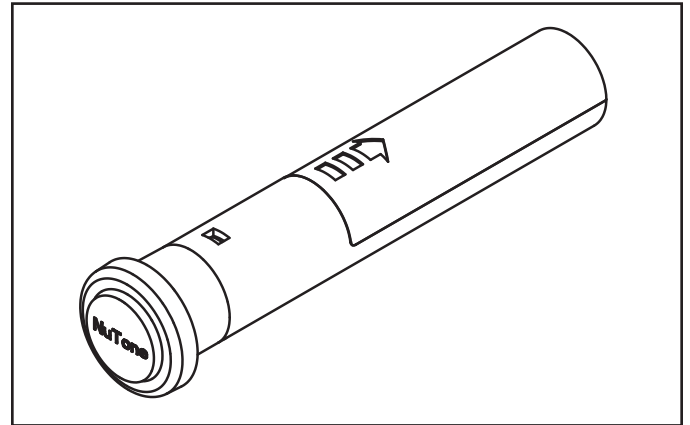


Model PB78LWHCL Wireless LED Lighted Pushbutton

DESCRIPTION

- Standard pushbutton with LED lighting for brilliant visibility and ease-of-use at night.
- Simple, single button design can be installed alone or with any NuTone escutcheon allowing you to design the doorbell that complements your doorway.
- Operates in conjunction with NuTone wireless door chime models: LA203WH, LA204WH, LA204RWH, LA205WH, LA206WH, LA522WH, LA532RW, LA533WH and LA600WH, so you can easily add on for other entryways.
- 100-foot operating range ensures that you will find the most convenient location for your door chime mechanism. Note: Operating distance may vary - depending upon differences in home construction.
- Non-stick action touch pad with U.V. inhibitor that won't yellow in the sun.
- 25/32" diameter in clear/white.
- Installs as recess mount design to fit NuTone escutcheons.
- Uses size "N", 1.5V alkaline battery (included).



ARCHITECT'S SPECIFICATION

Wireless Pushbutton shall be NuTone Model PB78LWHCL.

Wireless Pushbutton to be recess mounted, LED lighted, fit NuTone escutcheons, and operate with NuTone wireless door chime models: LA203WH, LA204WH, LA204RWH, LA205WH, LA206WH, LA522WH, LA532RW, LA533WH and LA600WH.

Wireless Pushbutton to have 100-foot operating range.

Wireless Pushbutton shall include alkaline battery.

INSTALLATION

Complete installation instructions are included with each Pushbutton.

Broan-NuTone LLC Hartford, Wisconsin www.nutone.com 888-336-3948

REFERENCE	QTY.	REMARKS	Project
			Location
			Architect
			Engineer
			Contractor
			Submitted by Date