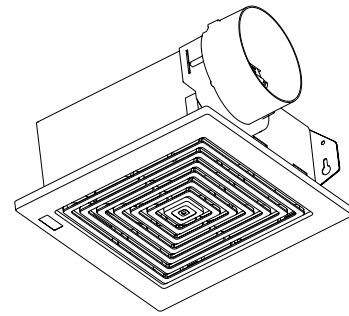


### MODEL 6884 CEILING/WALL FAN



#### FEATURES

##### GRILLE:

- White polymeric – blends well with any decor
- Torsion spring grille mounting - no tools required
- Metal grille kit available - purchase separately

##### BLOWER:

- Plug-in, permanently lubricated motor
- Broan-designed polymeric blower wheel
- Snap in/out assembly for easy cleaning - no screws to drive or drop

##### HOUSING:

- Compact, 25 gage galvanized steel, attaches easily to wall or ceiling joists
- Double strength mounting flanges with keyhole slots
- Removable wiring cover - make connections away from tight corners
- No electrical knockout to remove
- Polymeric duct fitting with tapered sleeve for easy, positive duct connection
- Quiet polymeric damper prevents cold backdrafts - no metallic clatter
- U.L. Listed for use over bathtubs and showers when connected to a GFCI protected branch circuit (ceiling mount only).

##### CONTROLS (purchase separately):

- Refer to the Broan ventilation fan catalog for a complete line of accessories to effectively adapt this fan to your construction requirements.

##### Available only as follows:

- **MODEL 6884H: Project Housing Pack (18 per carton).**
- **MODEL 1688F: Project Finish Pack (6 per carton).**

#### SPECIFICATIONS

MODEL	VOLTS	AMPS	SONES	CFM	DUCT
6884	120	0.9	4.0	50	4" Round

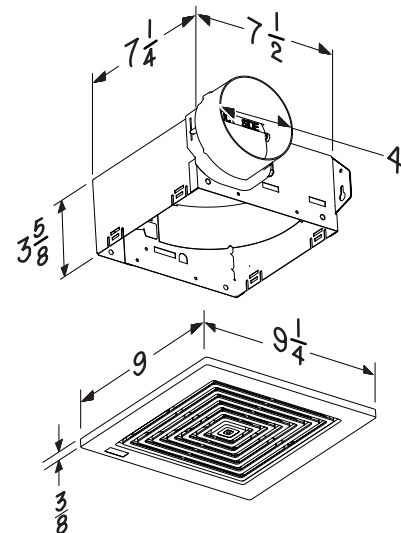
#### TYPICAL SPECIFICATION

Ventilator shall be Broan Model 6884.

Ventilator shall have galvanized steel housing with double-strength mounting flanges. It shall be ducted vertically (horizontally) to a roof cap (wall cap).

Blower assembly shall be removable and permanently lubricated.

Air delivery shall be no less than 50 CFM and sound level no greater than 4.0 sones. All air and sound ratings shall be certified by HVI. Units shall be U.L. Listed.



DIMENSIONS SHOWN  
IN INCHES



HVI-2100 CERTIFIED RATINGS comply with new testing technologies and procedures prescribed by the Home Ventilating Institute, for off-the-shelf products, as they are available to consumers. Product performance is rated at 0.1 in. static pressure, based on tests conducted in a state-of-the-art test laboratory. Sones are a measure of humanly-perceived loudness, based on laboratory measurements.



Broan LLC Hartford, Wisconsin www.broan.com 800-558-1711

REFERENCE	QTY.	REMARKS	Project
			Location
			Architect
			Engineer
			Contractor
			Submitted by Date