

The sleek shape of Corteo™ makes it a perfect companion for today's modern kitchens. Advanced features like the quiet Captur™ system, an infrared control, and hybrid baffle filters make it a pleasure to use.

SIZE	BLACK STAINLESS	STAINLESS	WHITE	GREASE FILTERS (replacement)	NON-DUCTED FILTERS
30 in.	ERLE130BLS	ERLE130SS	ERLE130WH	HPFA430 (Type "C5")	HPF30 (Type "Xc")
36 in.	ERLE136BLS	ERLE136SS	ERLE136WH	HPFA436 (Type "D5")	HPF36 (Type "Xd")

HVI PERFORMANCE									
Duct Orientation	Size	Damper	Sones			CFM			
			Normal	Medium*	High	Normal	Medium*	High 0.25 in. w.g.	High 0.1 in. w.g.
Vertical - Rectangular	3¼ in. x 10 in.	Included	<0.3	3.0	8.0	130	270	410	460
Horizontal - Rectangular	3¼ in. x 10 in.	Included	<0.3	3.0	7.5	130	290	470	510
Vertical - Rectangular	3¼ in. x 14 in.	Included	<0.3	3.0	8.0	140	300	470	520
Horizontal - Rectangular	3¼ in. x 14 in.	Included	<0.3	3.0	7.5	130	340	545	590
Round - Vertical	7 in.	Sold Separately	<0.3	3.0	7.5	140	280	415	470

FEATURES	
Max. Blower CFM**	650
Control type	3-Speed infrared
Delay off	yes
Filter Clean Reminder	yes
Heat Sentry™	yes
ADA Capable	yes
Lighting	3-level LED (included)
Grease Filters	Hybrid Baffle (Qty. 2)
Installation Hardware	EZ1 Bracket
ENERGY STAR®	no
Recirculation	Non-ducted filters sold separately

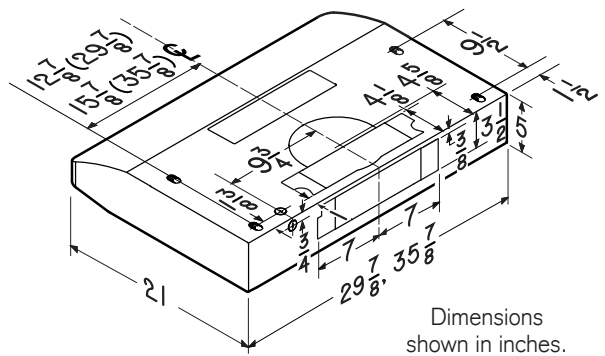
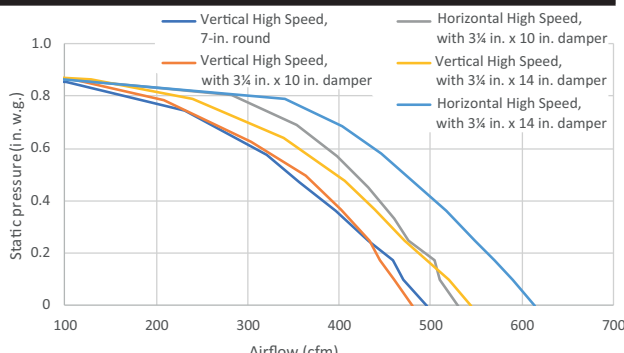
AC INPUT	
120 V, 60 Hz - 1.9 AMPS	

OPTIONAL ACCESSORIES	
7 in. Round Damper	BP87Q
7-in. Round Apapter Plate	SR680508
ADA Wiring Kit	HAWRK3
Make-up Air Damper	MD6TU / MD8TU / MD10TU

MOUNTING HEIGHT	
24 in. to 30 in. from cooktop to bottom of hood	

LIMITED WARRANTY	
1-year	
3-year (LED modules only)	
(See installation manual for full warranty text.)	

**FOR INDOOR USE ONLY**



Dimensions shown in inches.



HVI-2100 CERTIFIED RATINGS comply with new testing technologies and procedures prescribed by the Home Ventilating Institute, for off-the-shelf products, as they are available to consumers. Product performance is rated at 0.1 and 0.25 in. static pressure at high speed based on tests conducted in an HVI-approved state-of-the-art test laboratory. Sones are a measure of humanly-perceived loudness, based on laboratory measurements.

\* Where noted performance rating is not HVI certified but was established in accordance with HVI Standardized test procedure.

\*\* Max. blower CFM indicates the performance of the hood blower in open air.

La silhouette élégante de Corteo<sup>MC</sup> en fait le parfait compagnon des cuisines modernes d'aujourd'hui. Des caractéristiques d'avant-garde comme le système silencieux Captur<sup>MC</sup>, la commande infrarouge et des filtres hybrides à déflecteur en font un plaisir à utiliser.

LARGEUR	NOIR INOX	INOX	BLANC	FILTRES À GRAISSES (remplacement)	FILTRES DE RECIRCULATION
30 po	ERLE130BLS	ERLE130SS	ERLE130WH	HPFA430 (Type "C5")	HPF30 (Type "Xc")
36 po	ERLE136BLS	ERLE136SS	ERLE136WH	HPFA436 (Type "D5")	HPF36 (Type "Xd")

RENDEMENT HVI									
Orientation du conduit	Largeur	Volet	Sones			pi³/min			
			Normale	Moyenne*	Haute	Normale	Moyenne*	Haute 0,25 po d'eau	Haute 0,1 po d'eau
Rectangulaire vertical	3¼ po x 10 po	inclus	<0,3	3,0	8,0	130	270	410	460
Rectangulaire horizontal	3¼ po x 10 po	inclus	<0,3	3,0	7,5	130	290	470	510
Rectangulaire vertical	3¼ po x 14 po	inclus	<0,3	3,0	8,0	140	300	470	520
Rectangulaire horizontal	3¼ po x 14 po	inclus	<0,3	3,0	7,5	130	340	545	590
Rond vertical	7 po	vendu séparément	<0,3	3,0	7,5	140	280	415	470

CARACTÉRISTIQUES	
Puissance max. du ventilateur**	650 pi³/min
Type de commande	Infrarouge, 3 vitesses
Arrêt différé	oui
Rappel d'entretien des filtres	oui
Détecteur Heat Sentry <sup>MC</sup>	oui
Capacité ADA	oui
Éclairage	DEL à 3 intensités (inclus)
Filtres à graisses	Hybrides / à déflecteur (qté 2)
Matériel pour l'installation	Supports EZ1
ENERGY STAR®	non
Recirculation	Filtres de recirculation vendus séparément

ALIMENTATION CA	
120 V, 60 Hz - 1,9 A	

ACCESSOIRES OPTIONNELS	
Volet rond de 7 po	BP87Q
Plaque pour conduit rond 7 po	SR680508
Ensemble de câblage ADA	HAWRK3
Dispositif d'apport d'air	MD6TU / MD8TU / MD10TU

HAUTEUR DE MONTAGE	
De 24 po à 30 po au-dessus de la surface de cuisson	

GARANTIE LIMITÉE	
1 an, 3 ans (modules DEL seulement)	
<i>(Voir le manuel d'installation pour le texte complet de la garantie.)</i>	

**POUR UTILISATION À L'INTÉRIEUR SEULEMENT**

