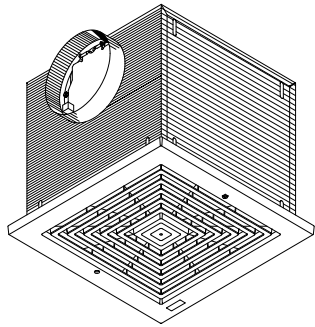
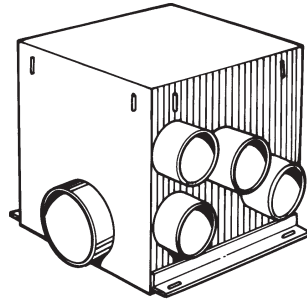


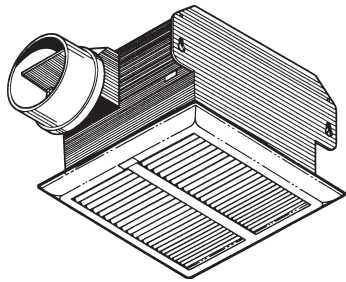
BROAN® NuTone® AMCA Licensed Products



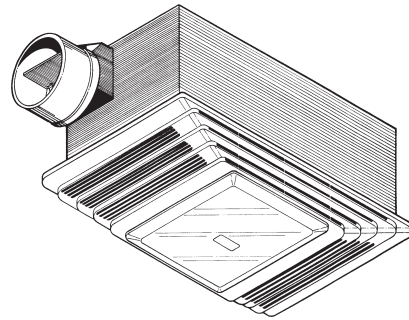
LoSone Select® Ventilators



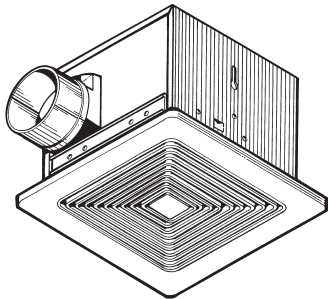
Remote In-Line Ventilators



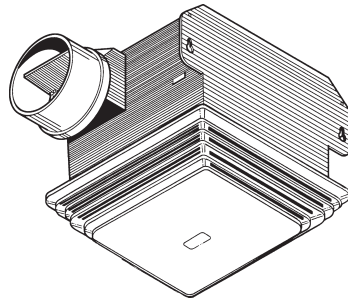
HD-Series Fans & Fan/Lights



Fan/Light Combination Units



Solitaire® & SensAire® Fans & Fan/Lights



Other AMCA Licensed Products



AMCA Licensed Products

Table of Contents

Products Licensed for Sound and Air Performance

| <u>Model</u> | <u>Page</u> |
|---------------|-------------|
| L100 | 3 |
| L150 | 3 |
| L100EX | 3 |
| L150EX | 3 |
| L100C | 3 |
| L150C | 3 |
| L100MG | 3 |
| L150MG | 3 |
| L200 | 3 |
| L250 | 3 |
| L300 | 3 |
| L300NT | 3 |
| L200EX | 3 |
| L250EX | 3 |
| L300EX | 3 |
| L200C | 3 |
| L250C | 3 |
| L300C | 3 |
| L200MG | 3 |
| L250MG | 3 |
| L300KMG | 3 |
| L400 | 4 |
| L500 | 4 |
| L700 | 4 |
| L400EX | 4 |
| L500EX | 4 |
| L700EX | 4 |
| L400C | 4 |
| L500C | 4 |
| L700C | 4 |
| L400K | 4 |
| L500K | 4 |
| L900 | 4 |
| L1500 | 4 |
| L900EX | 4 |
| L1500EX | 4 |
| L900C | 4 |
| L1500C | 4 |
| L100L | 5 |
| L150L | 5 |
| L200L | 5 |
| L250L | 5 |
| L300L | 5 |
| L400L, L400KL | 5 |
| L500L, L500KL | 5 |
| L700L | 5 |
| L900L | 5 |
| L1500L | 5 |

Products Licensed for Sound and Air Performance

| <u>Model</u> | <u>Page</u> |
|--------------|-------------|
| L2000L | 6 |
| L3500EXL | 6 |
| HD80L | 11 |
| 696 | 12 |
| 670 | 12 |
| AE80B | 13 |
| ZB80 | 14 |
| ZB110 | 14 |
| ZB80L | 15 |
| ZB80L1 | 15 |
| ZB110L | 15 |
| ZB110L1 | 15 |
| ZN80 | 16 |
| ZN110 | 16 |
| ZN80L | 17 |
| ZN110L | 17 |

Products Licensed for Air Performance

| <u>Model</u> | <u>Page</u> |
|--------------|-------------|
| MP100 | 10 |
| MP140 | 10 |
| MP200 | 10 |
| MP280 | 10 |
| SP100 | 10 |
| SP140 | 10 |
| SP200 | 10 |

Accessory Products Not AMCA Licensed

| <u>Model</u> | <u>Page</u> |
|--------------|-------------|
| 961L | 9 |
| 981L | 9 |
| 982L | 9 |
| 983L | 9 |
| RD1 | 9 |
| RD2 | 9 |
| RD3 | 9 |
| LAF1 | 9 |
| LAF2 | 9 |
| MG1 | 9 |
| BV8 | 9 |
| BV12 | 9 |
| BV15 | 9 |
| DH100W | 10 |
| T24H | 10 |

LoSone Select[®] Ventilators

The industry's best value
in super-quiet specification
grade ventilators.

Broan LoSone Select[®] ventilators have been designed to give quality conscious architects, design engineers, builders and specifiers the ultimate in heavy duty, quiet ventilation.

Available from 100 to 3500 CFM, all units use centrifugal blower wheels and low RPM motors on resilient mounts. Most have acoustic insulation inside a rugged, heavy duty housing for further sound reduction.

Perfect for offices, conference rooms, bathroom, hospital rooms... anywhere quiet, high-capacity ventilation is needed.

Their features include:

- Low RPM motors mounted on resilient mounts for quiet, vibration-free operation
- Motors designed for continuous operation—permanently lubricated
- Acoustic insulation inside rugged, heavy gauge galvanized steel housings (except Models L300KMG, L400K, L500K – and in-line units)
- May be installed in ceiling or wall (size permitting)
- Balanced blower wheels for extremely low sound levels
- Attractive, low profile grilles
- May be ducted horizontally, vertically or as an in-line blower
- Quiet, built-in backdraft dampers

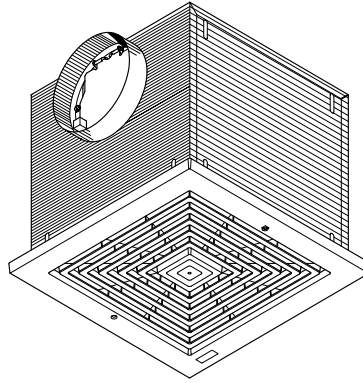


"Broan-NuTone LLC certifies that the models shown on page 9 are licensed to bear the AMCA Seal. The ratings shown are based on tests and procedures performed in accordance with AMCA Publication 211 and comply with the requirements of the AMCA Certified Ratings Program"



"Broan-NuTone LLC certifies that the models shown on pages 2 - 7 (inclusive) and 10 - 15 (inclusive) are licensed to bear the AMCA Seal. The ratings shown are based on tests and procedures performed in accordance with AMCA Publication 211 (and AMCA Publication 311 if sound is also certified) and comply with the requirements of the AMCA Certified Ratings Program"

100 – 150 CFM Ceiling Mount Ventilators



Models L100 , L150

- 120 VAC
- 6" round duct connector
- Low profile white polymeric grille
- Single, impact resistant centrifugal blower wheel

Models L100EX, L150EX

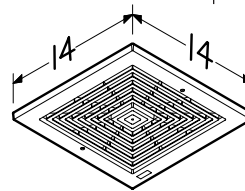
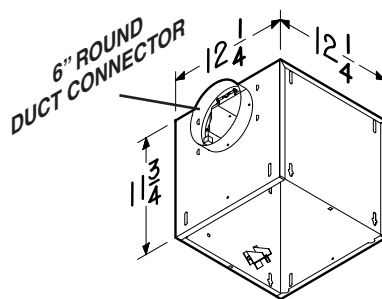
- 240 VAC
- Other features same as L100

Models L100C, L150C

- 277 VAC
- Other features same as L100

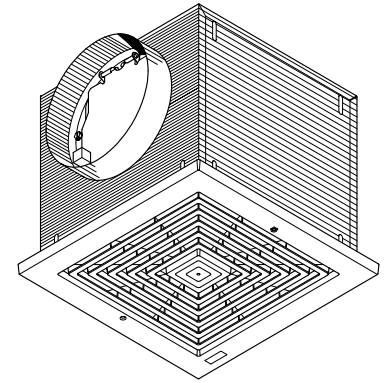
Models L100MG, L150MG

- Sturdy, low profile metal grille finished with painted white enamel
- Other features same as L100



Polymeric
Grille

200 – 250 – 300 CFM Ceiling Mount Ventilators



Models L200, L250, L300, L300NT

- 120 VAC
- 8" round duct connector
- Low profile white polymeric grille
- Single, impact resistant centrifugal blower wheel

Models L200EX, L250EX, L300EX

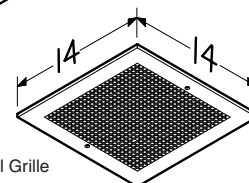
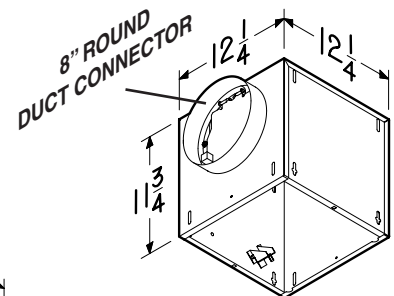
- 240 VAC
- Other features same as L200

Models L200C, L250C, L300C

- 277 VAC
- Other features same as L200

Models L200MG, L250MG, L300KMG

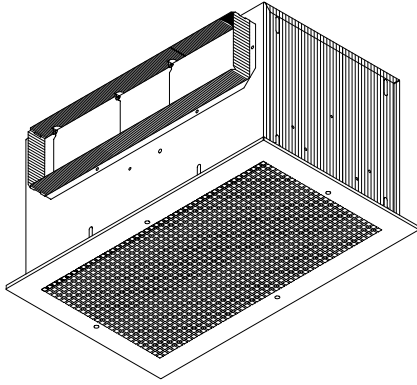
- Sturdy, low profile metal grille finished with painted white enamel
- Model L300KMG does not contain insulation and has metal blower wheel – may be mounted in kitchens and above cooking surfaces
- Other features same as L200



Metal Grille

See pages 7-8 for full performance information.

400 – 500 – 700 CFM
Ceiling Mount Ventilators



Models L400, L500, L700

- 120 VAC
- 4½ x 18½" duct connector
- Sturdy, low profile metal grille finished with painted white enamel
- Two impact resistant centrifugal blower wheels

Models L400EX, L500EX, L700EX

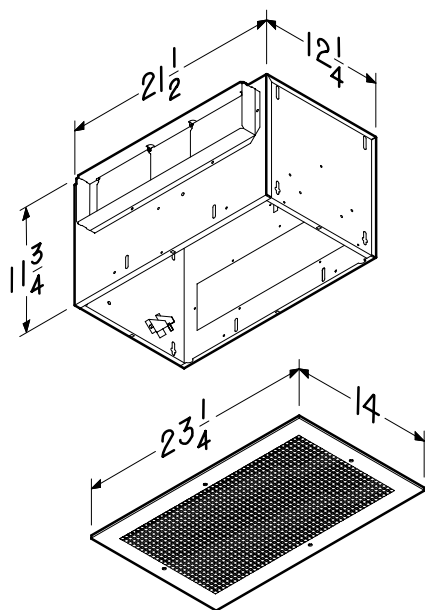
- 240 VAC
- Other features same as L400

Models L400C, L500C, L700C

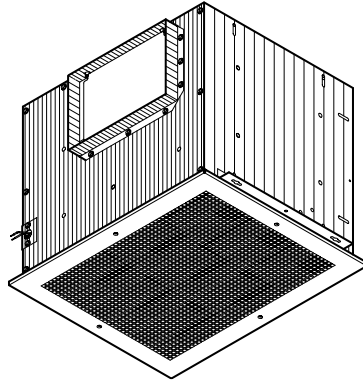
- 277 VAC
- Other features same as L400

Models L400K, L500K

- No insulation inside housing – may be mounted in kitchens and above cooking surfaces
- Two metal centrifugal blower wheels
- Other features same as L400



900 – 1500 CFM
Ceiling Mount Ventilators



Models L900, L1500

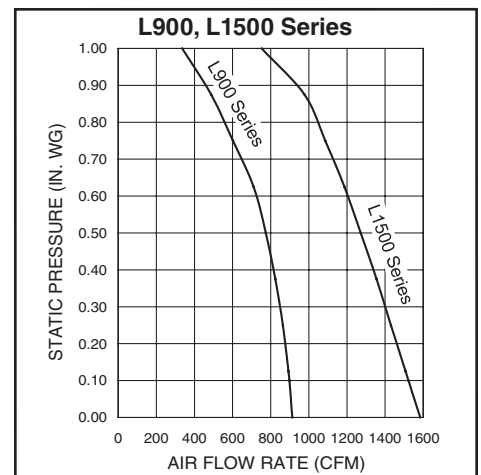
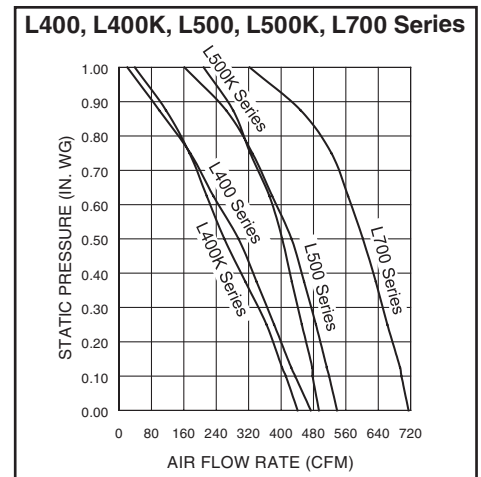
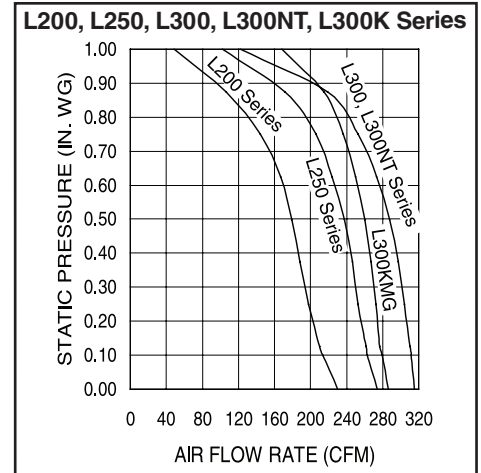
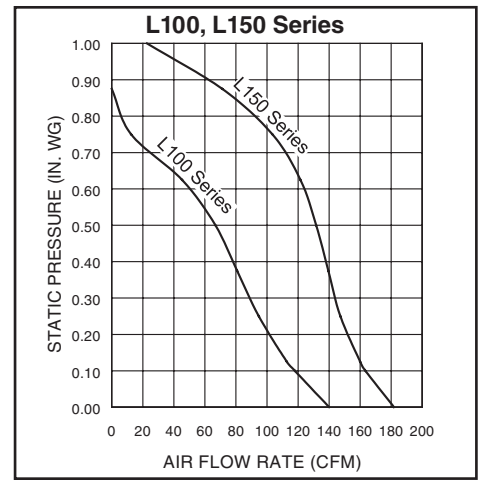
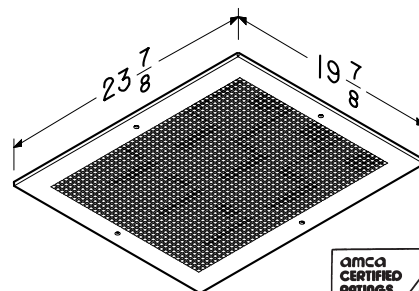
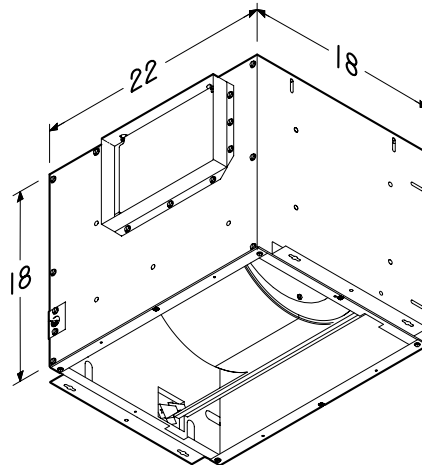
- 120 VAC
- 8" x 12" duct connector
- Sturdy, low profile metal grille finished with painted white enamel

Models L900EX, L1500EX

- 240 VAC
- Other features same as L400

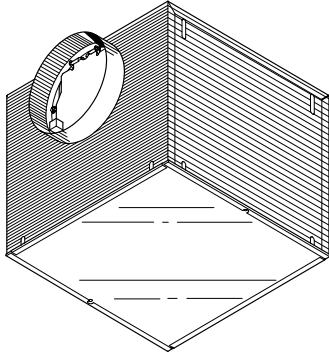
Models L900C, L1500C

- 277 VAC
- Other features same as L900



See pages 7-8 for full performance information.

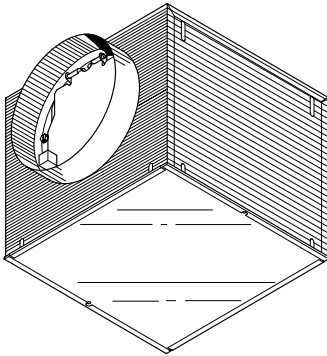
100 – 150 CFM
In-Line Ventilators



Models L100L, L150L

- 120 VAC
- Two 6" round duct connectors
- Removable access panel
- Single impact resistant centrifugal blower wheel
- Suitable for kitchen installation – no insulation inside housing

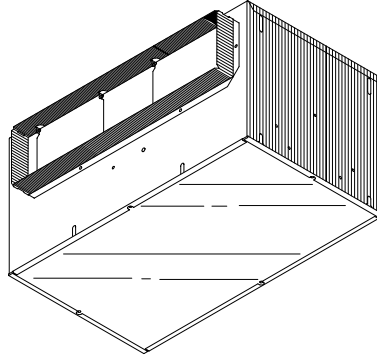
200 – 250 – 300 CFM
In-Line Ventilators



Models L200L, L250L, L300L

- 120 VAC
- Two 8" round duct connectors
- Removable access panel
- Single impact resistant centrifugal blower wheel
- Suitable for kitchen installation – no insulation inside housing

400 – 500 – 700 CFM
In-Line Ventilators



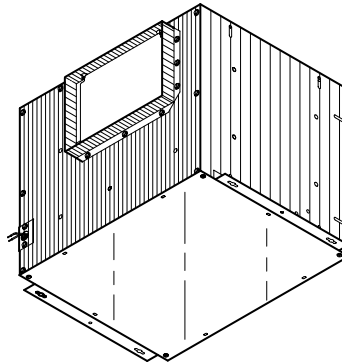
Models L400L, L500L, L700L

- 120 VAC
- Two 4½ x 18½" duct connectors
- Removable access panel
- Two impact resistant centrifugal blower wheels

Models L400KL, L500KL

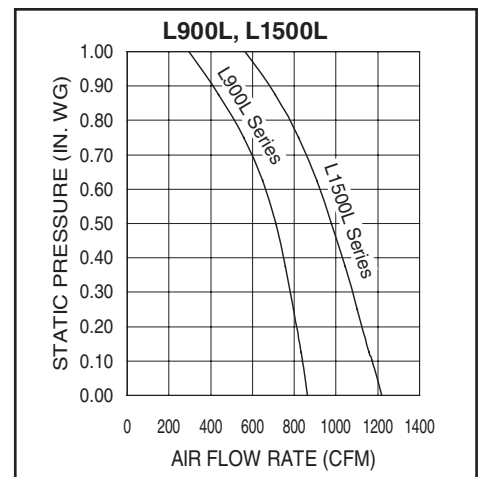
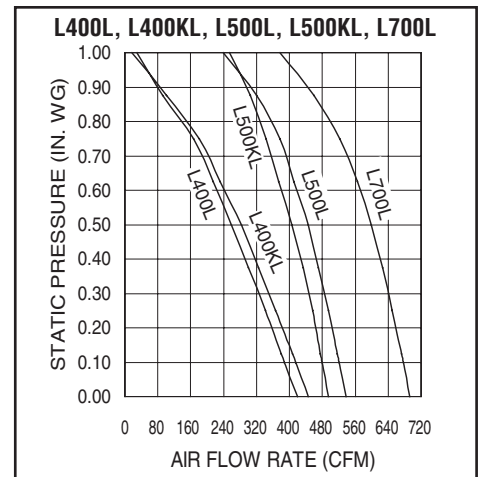
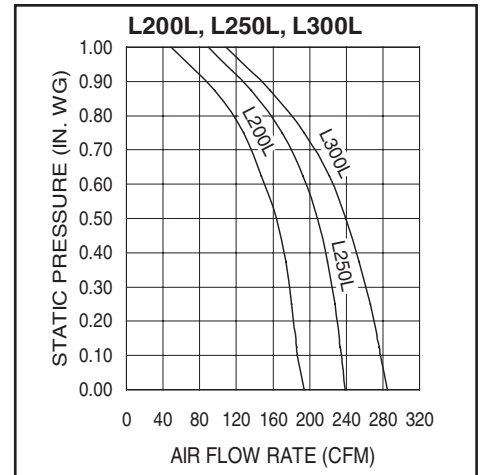
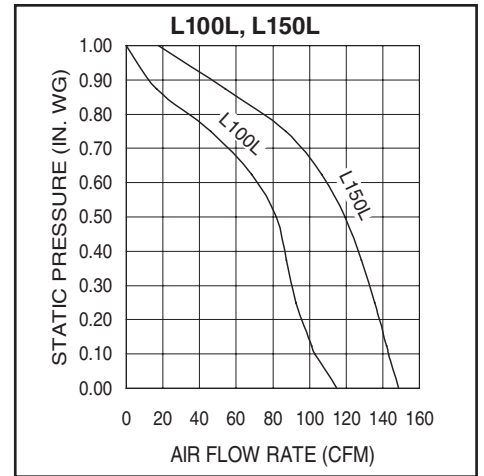
- Suitable for kitchen installation
- Two metal centrifugal blower wheels
- Other features same as L400L

900 – 1500 CFM
In-Line Ventilators



Models L900L, L1500L

- 120 VAC
- Two 8" x 12" duct connectors
- Removable access panel
- Single impact resistant centrifugal blower wheel



See pages 7-8 for full performance information.

LoSone Select[®] Cabinet Ventilators

Quiet, high capacity

LoSone Select[®] Cabinet Ventilators are perfect for large meeting rooms or institutional applications requiring up to 3500 CFM.

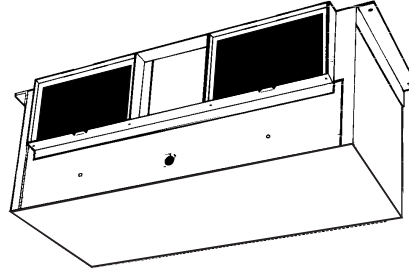
Like all Broan LoSone Select[®] units, our cabinet models are quiet-running, heavy-duty, specification-grade ventilators. Permanently lubricated ball bearing motors are designed for continuous operation. Resilient motor mounts and acoustic insulation lining our 20-gauge galvanized steel housing make them exceptionally quiet large air movers.

Broan LoSone Select[®] Cabinet Ventilators may be installed as either "straight thru" or "right angle" ventilators. Unique mounting brackets allow them to be installed quickly and easily in any of eight different positions.

Available Accessories:

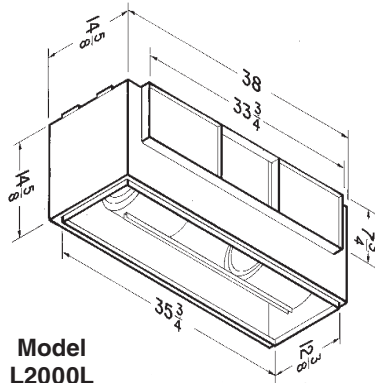
- Metal Grille Kits for ceiling applications
- Damper Kits with twin damper flaps prevent backdrafts
- Model V104 Vibration Damper Hangers (set of four required)

2000 CFM Cabinet Ventilator

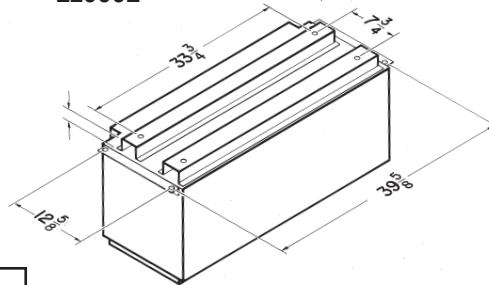


Model L2000L

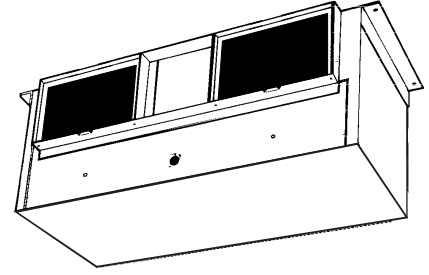
- 120 VAC
- Fits 7³/₄" x 33³/₄" duct
- Twin double-inlet blower wheels; 8" dia. x 7-7/8" deep
- Use Model G102 Metal Grille Kit for ceiling applications
- Use Model D100 Damper Kit for applications where unit will be ducted to outside—twin damper flaps prevent backdrafts



**Model
L2000L**

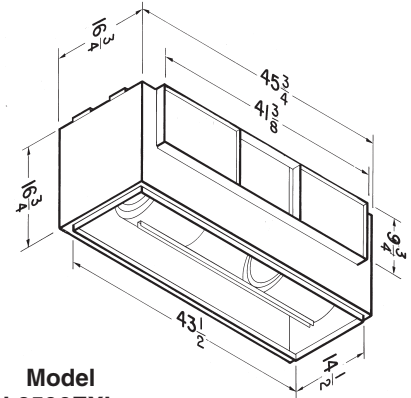


3500 CFM Cabinet Ventilator

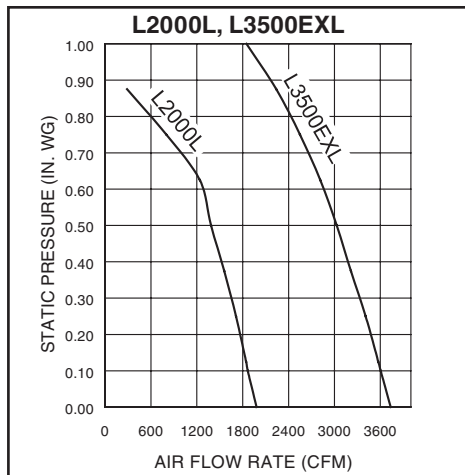
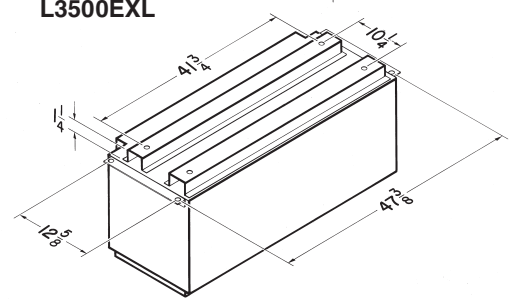


Model L3500EXL

- 240 VAC
- Fits 9³/₄" x 41-3/8" duct
- Twin double-inlet blower wheels; 9" dia. x 8-3/4" deep
- Use Model G103 Metal Grille Kit for ceiling applications
- Use Model D101 Damper Kit for applications where unit will be ducted to outside—twin damper flaps prevent backdrafts



**Model
L3500EXL**



See pages 7-8 for full performance information.



LoSone Select® In-Line Ventilators – AMCA Licensed Performance

| CFM / SONES - AT STATIC PRESSURES (Ps - inches of H ₂ O) | | | | | | | | | | | | | | | |
|---|-----------------|------------------|-------|----------------|---------|---------|----------|----------|----------|---------|----------|----------|----------|---------|-------------|
| MODEL NO. | NOMINAL VOLTAGE | MAX AMPS @ 60 Hz | WATTS | | 0.0" Ps | .10" Ps | .125" Ps | .250" Ps | .375" Ps | .50" Ps | .625" Ps | .750" Ps | .875" Ps | 1.0" Ps | RPM @ .125" |
| L100L* | 120 VAC | 1.0 | 88 | CFM St.Thr. | 121 | 108 | 106 | 97 | 93 | 86 | 70 | 44 | 17 | | 760 |
| | | | | SONES St.Thr. | 0.5 | 0.7 | 0.7 | 1.1 | 1.4 | 1.8 | 2.1 | 2.4 | 2.6 | | |
| | | | | CFM Rt. Ang. | 109 | 98 | 96 | 88 | 82 | 78 | 67 | 48 | 16 | 785 | |
| | | | | SONES Rt. Ang. | 0.5 | 0.8 | 0.8 | 1.2 | 1.6 | 2.0 | 2.3 | 2.5 | 2.8 | | |
| L150L* | 120 VAC | 1.2 | 96 | CFM St.Thr. | 153 | 148 | 147 | 140 | 134 | 125 | 111 | 91 | 54 | 18 | 920 |
| | | | | SONES St.Thr. | 0.9 | 1.0 | 1.1 | 1.4 | 1.6 | 1.9 | 2.1 | 2.2 | 2.4 | 2.6 | |
| | | | | CFM Rt. Ang. | 144 | 138 | 137 | 131 | 123 | 114 | 102 | 83 | 54 | 17 | |
| | | | | SONES Rt. Ang. | 1.2 | 1.4 | 1.4 | 1.6 | 1.9 | 2.1 | 2.4 | 2.5 | 2.7 | 2.9 | |
| L200L* | 120 VAC | 1.6 | 124 | CFM St.Thr. | 205 | 196 | 195 | 190 | 185 | 175 | 158 | 135 | 96 | 47 | 870 |
| | | | | SONES St.Thr. | 1.7 | 1.9 | 1.9 | 2.1 | 2.3 | 2.4 | 3.0 | 3.3 | 3.4 | 3.4 | |
| | | | | CFM Rt. Ang. | 183 | 177 | 176 | 170 | 163 | 152 | 137 | 121 | 96 | 51 | |
| | | | | SONES Rt. Ang. | 1.6 | 1.6 | 1.6 | 1.9 | 2.3 | 2.7 | 2.9 | 3.1 | 3.4 | 3.6 | |
| L250L* | 120 VAC | 2.0 | 160 | CFM St.Thr. | 248 | 245 | 245 | 241 | 235 | 224 | 208 | 183 | 141 | 84 | 1010 |
| | | | | SONES St.Thr. | 2.0 | 2.3 | 2.3 | 2.6 | 2.8 | 3.2 | 3.4 | 3.6 | 3.9 | 3.8 | |
| | | | | CFM Rt. Ang. | 229 | 224 | 222 | 214 | 204 | 193 | 177 | 157 | 132 | 95 | |
| | | | | SONES Rt. Ang. | 2.4 | 2.5 | 2.6 | 2.8 | 3.0 | 3.2 | 3.4 | 3.7 | 3.8 | 3.8 | |
| L300L* | 120 VAC | 2.6 | 2.04 | CFM St.Thr. | 300 | 294 | 293 | 285 | 274 | 259 | 243 | 214 | 168 | 113 | 1090 |
| | | | | SONES St.Thr. | 2.9 | 3.0 | 3.1 | 3.3 | 3.4 | 3.5 | 3.6 | 3.7 | 4.0 | 3.9 | |
| | | | | CFM Rt. Ang. | 270 | 261 | 259 | 248 | 234 | 220 | 200 | 174 | 146 | 104 | |
| | | | | SONES Rt. Ang. | 3.7 | 3.7 | 3.7 | 3.7 | 3.9 | 3.9 | 4.0 | 4.2 | 4.4 | 4.0 | |
| L400L | 120 VAC | 1.3 | 137 | CFM St.Thr. | 450 | 415 | 406 | 360 | 313 | 271 | 223 | 167 | 90 | 6 | 780 |
| | | | | SONES St.Thr. | 1.4 | 1.6 | 1.6 | 1.9 | 2.2 | 2.6 | 2.9 | 3.4 | 3.6 | 3.9 | |
| | | | | CFM Rt. Ang. | 442 | 415 | 408 | 372 | 336 | 296 | 239 | 193 | 111 | 28 | |
| | | | | SONES Rt. Ang. | 1.6 | 1.7 | 1.7 | 2.0 | 2.4 | 2.6 | 3.1 | 3.4 | 3.9 | 4.1 | |
| L400KL* | 120 VAC | 1.3 | 137 | CFM St.Thr. | 420 | 385 | 375 | 330 | 284 | 243 | 202 | 153 | 78 | 12 | 715 |
| | | | | SONES St.Thr. | 3.0 | 2.7 | 3.1 | 3.6 | 4.0 | 4.0 | 4.6 | 5.0 | 5.2 | 5.4 | |
| | | | | CFM Rt. Ang. | 420 | 391 | 385 | 352 | 316 | 276 | 226 | 181 | 105 | 46 | |
| | | | | SONES Rt. Ang. | 2.1 | 2.4 | 2.5 | 1.9 | 2.2 | 2.8 | 3.0 | 3.3 | 3.7 | 4.2 | |
| L500L | 120 VAC | 2.0 | 207 | CFM St.Thr. | 546 | 526 | 519 | 496 | 472 | 447 | 407 | 364 | 306 | 232 | 890 |
| | | | | SONES St.Thr. | 2.4 | 2.4 | 3.4 | 3.7 | 3.9 | 3.8 | 3.9 | 4.0 | 4.3 | 4.3 | |
| | | | | CFM Rt. Ang. | 528 | 516 | 513 | 494 | 470 | 446 | 415 | 389 | 334 | 247 | |
| | | | | SONES Rt. Ang. | 2.9 | 3.8 | 3.4 | 3.7 | 3.5 | 3.6 | 3.9 | 4.0 | 4.2 | 4.4 | |
| L500KL* | 120 VAC | 2.0 | 207 | CFM St.Thr. | 495 | 476 | 472 | 450 | 426 | 395 | 360 | 326 | 294 | 247 | 805 |
| | | | | SONES St.Thr. | 3.2 | 3.7 | 3.8 | 4.2 | 3.9 | 4.2 | 4.7 | 5.0 | 5.4 | 5.5 | |
| | | | | CFM Rt. Ang. | 494 | 482 | 477 | 462 | 442 | 417 | 387 | 359 | 317 | 263 | |
| | | | | SONES Rt. Ang. | 3.5 | 4.1 | 4.4 | 4.3 | 4.7 | 5.1 | 5.1 | 5.2 | 5.3 | 6.0 | |
| L700L | 120 VAC | 2.7 | 298 | CFM St.Thr. | 704 | 686 | 681 | 656 | 631 | 604 | 575 | 533 | 480 | 412 | 1090 |
| | | | | SONES St.Thr. | 3.6 | 3.8 | 3.7 | 3.9 | 4.0 | 4.2 | 4.3 | 4.4 | 4.7 | 5.0 | |
| | | | | CFM Rt. Ang. | 680 | 667 | 663 | 644 | 621 | 594 | 557 | 513 | 440 | 342 | |
| | | | | SONES Rt. Ang. | 5.0 | 5.0 | 5.0 | 5.3 | 5.2 | 5.1 | 5.3 | 5.5 | 5.4 | 5.5 | |
| L900L | 120 VAC | 2.5 | 261 | CFM St.Thr. | 930 | 902 | 894 | 853 | 807 | 754 | 685 | 587 | 442 | 300 | 810 |
| | | | | SONES St.Thr. | 3.7 | 3.8 | 3.8 | 3.8 | 3.7 | 3.8 | 3.9 | 4.0 | 4.0 | 4.1 | |
| | | | | CFM Rt. Ang. | 795 | 778 | 772 | 743 | 709 | 668 | 613 | 527 | 432 | 291 | |
| | | | | SONES Rt. Ang. | 4.3 | 4.5 | 4.4 | 4.6 | 4.4 | 4.2 | 4.1 | 4.3 | 4.2 | 4.3 | |
| L1500L | 120 VAC | 5.9 | 436 | CFM St.Thr. | 1275 | 1228 | 1214 | 1152 | 1092 | 1029 | 958 | 871 | 764 | 631 | 1060 |
| | | | | SONES St.Thr. | 6.8 | 6.8 | 6.7 | 6.5 | 6.3 | 6.0 | 6.0 | 6.0 | 6.0 | 6.1 | |
| | | | | CFM Rt. Ang. | 1160 | 1117 | 1106 | 1051 | 998 | 928 | 856 | 769 | 657 | 499 | |
| | | | | SONES Rt. Ang. | 7.9 | 7.8 | 7.9 | 7.4 | 7.1 | 6.8 | 6.3 | 5.9 | 5.4 | 5.4 | |

Performance ratings include the effects of backdraft damper. Speed (RPM) shown is nominal. Performance is based on actual speed of test. The sound ratings shown are loudness values in fan sones at 5' (1.5m) in a hemispherical free field calculated per AMCA Std. 301. Values shown are for Installation Type D: Ducted inlet, Ducted outlet. Ratings do not include the effect of duct end correction. Performance ratings include the effects of 18 feet of round inlet duct and, if needed, a rectangular to round duct transition. Performance certified is for Installation Type D: Ducted inlet, Ducted outlet.

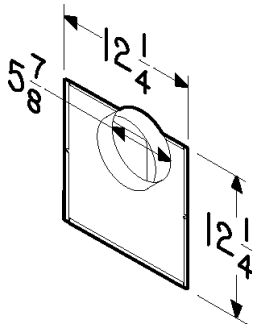
LoSone Select® Cabinet Ventilators – AMCA Licensed Performance

| CFM / SONES - AT STATIC PRESSURES (Ps - inches of H ₂ O) | | | | | | | | | | | | | | | |
|---|-----------------|------------------|-------|----------------|---------|---------|----------|----------|----------|---------|----------|----------|----------|---------|-------------|
| MODEL NO. | NOMINAL VOLTAGE | MAX AMPS @ 60 Hz | WATTS | | 0.0" Ps | .10" Ps | .125" Ps | .250" Ps | .375" Ps | .50" Ps | .625" Ps | .750" Ps | .875" Ps | 1.0" Ps | RPM @ .125" |
| L2000L | 120 VAC | 5.8 | 590 | CFM St.Thr. | 1891 | 1803 | 1791 | 1657 | 1508 | 1347 | 1165 | 808 | 284 | | 965 |
| | | | | SONES St.Thr. | 10.3 | 9.8 | 9.4 | 9.0 | 8.6 | 9.1 | 8.9 | 7.0 | 6.7 | | |
| | | | | CFM Rt. Ang. | 2070 | 1931 | 1898 | 1769 | 1609 | 1424 | 1314 | 795 | 288 | 1020 | |
| | | | | SONES Rt. Ang. | 11.1 | 10.3 | 10.1 | 9.7 | 9.4 | 9.2 | 8.5 | 7.0 | 6.7 | | |
| L3500EXL | 240 VAC | 5.4 | 1204 | CFM St.Thr. | 3605 | 3498 | 3452 | 3278 | 3073 | 2893 | 2679 | 2429 | 2093 | 1693 | 1105 |
| | | | | SONES St.Thr. | 15.3 | 14.8 | 14.5 | 14.1 | 13.1 | 12.8 | 12.1 | 11.8 | 11.9 | 10.8 | |
| | | | | CFM Rt. Ang. | 3868 | 3714 | 3696 | 3537 | 3356 | 3168 | 2951 | 2671 | 2384 | 2005 | |
| | | | | SONES Rt. Ang. | 14.6 | 14.2 | 14.2 | 13.3 | 12.8 | 12.5 | 11.6 | 11.4 | 11.4 | 13.4 | |

Performance ratings do not include the effects of appurtenances. Speed (RPM) shown is nominal. Performance is based on actual speed of test. The sound ratings shown are loudness values in fan sones at 5' (1.5m) in a hemispherical free field calculated per AMCA Std. 301. Values shown are for Installation Type D: Ducted inlet, Ducted outlet. Ratings do not include the effect of duct end correction. Performance certified is for Installation Type D: Ducted inlet, Ducted outlet.

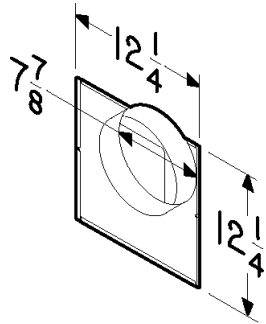


Broan LoSone Select®
Accessories for Ceiling Mount
and In-Line Ventilators



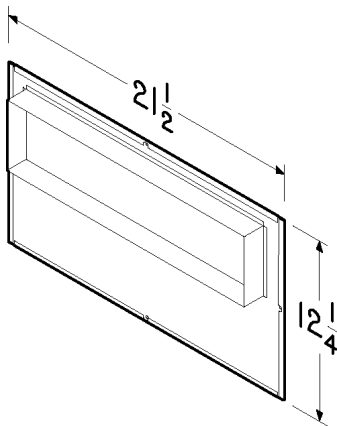
Model 961L In-Line Adapter Kit

- Galvanized steel
- Fits L100, L150 Series 6" round duct intake
- Mounting hardware included



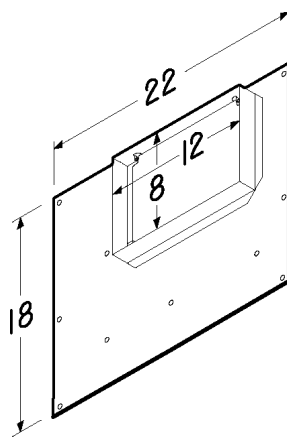
Model 981L In-Line Adapter Kit

- Galvanized steel
- Fits L200, L250, L300 Series 8" round duct intake
- Mounting hardware included



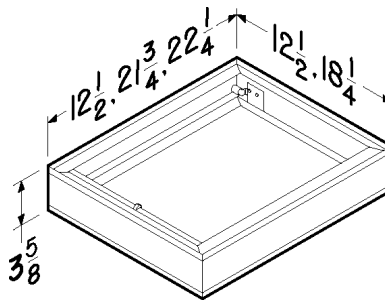
Model 982L In-Line Adapter Kit

- Galvanized steel
- Fits L400, L500, L700 Series 4 1/2" x 18 1/2" duct intake
- Mounting hardware included



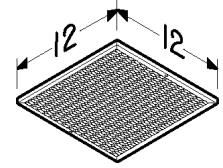
Model 983L In-Line Adapter Kit

- Galvanized steel
- Fits L900, L1500 Series 8" x 12" duct intake
- Mounting hardware included



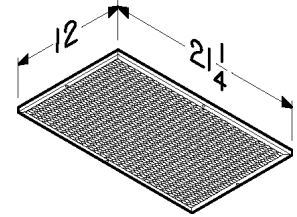
Model RD1, RD2, RD3
Radiation Dampers

- UL Listed – classified for use in 1, 2, or 3 hour fire-rated ceilings
- Galvanized steel frame
- High temperature, non-asbestos, reinforced fiber thermal fabric
- 212°F fusible link
- Stainless steel negator-type closure spring
- RD1 (12 1/2" x 12 1/2") fits L100, L150, L200, L250, L300 Series
- RD2 (21 3/4" x 12 1/2") fits L400, L500, L700 Series
- RD3 (22 1/4" x 18 1/4") fits L900, L1500 Series



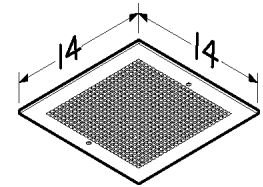
Model LAF1 Grease Filter

- Dishwasher safe, aluminum mesh filter traps grease and protects motor
- Fits L300KMG



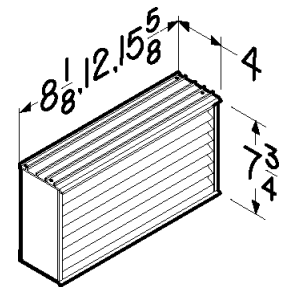
Model LAF2 Grease Filter

- Dishwasher safe, aluminum mesh filter traps grease and protects motor
- Fits L400K, L500K



Model MG1 Metal Grille Kit

- Steel, painted white enamel
- Mounting screws included
- Fits L100, L150, L200, L250, L300 Series



Model BV8, BV12, BV15 Brick Vents

- Designed for installation in masonry walls
- Anodized aluminum construction
- Built-in mesh insect screen
- BV8 measures 7 3/4" x 8-1/8" x 4"
- BV12 measures 7 3/4" x 12" x 4"
- BV16 measures 7 3/4" x 15-5/8" x 4"

Remote In-Line Ventilators

**Super-quiet,
high-capacity ventilation.**

Our remote in-line units are some of the quietest, most efficient ventilation systems available. It's a pretty simple concept. Mount a high-performance ventilator in an out-of-the-way spot and you get the power, with virtually no sound.

Suitable for intermittent or continuous ventilation applications.

Intermittent: Provides concentrated ventilation, as required, for problem rooms like the bath or laundry.

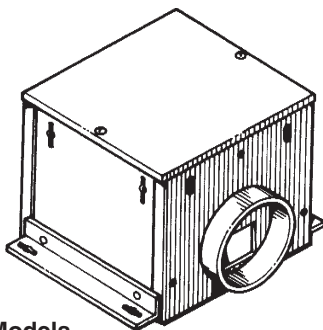
Continuous: Helps circulate air throughout home

- Install the housing in the attic, basement, or wherever is most convenient
- Energy-efficient, permanently lubricated motors with high pressure centrifugal blowers easily accommodate long duct runs
- Designed for quick, easy installation
- Removable panels offer easy access to the motor without disturbing ductwork



Also available Room Inlets and Controls

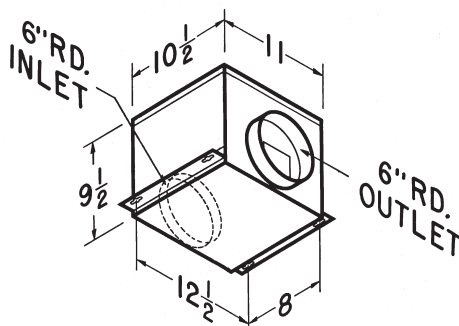
Room inlets from Broan for ceiling or wall installation. Choice of models lets you accommodate 6" (DF6) or 4" (DF4) round duct. These white polymeric inlets can be painted to match room decor.



**Models
SP100, SP140,
SP200**

Single-Port Ventilators

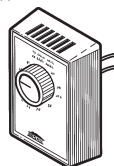
- Superior pressure capability provided by high pressure centrifugal blowers accommodates long duct runs
- 6" round outlet and inlet for easy duct connections



**Models
SP100, SP140, SP200**

Model DH100W Dehumidistat

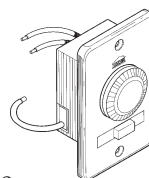
- Dual Voltage (24V/120V)
- Variable setting from 20-80% relative humidity



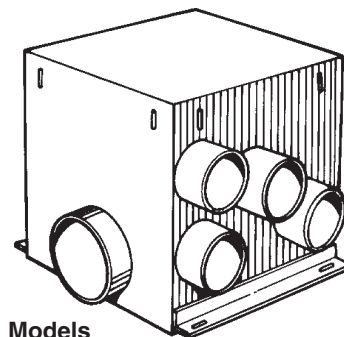
DH100W

Model T24H 24-Hour Programmable Timer

- 120V, 8 amps
- Sets up to 36 on/off cycles as short as 20 minutes
- Manual on/off override switch
- Fits single-gang box



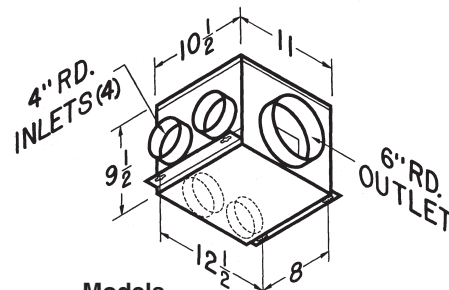
T24H



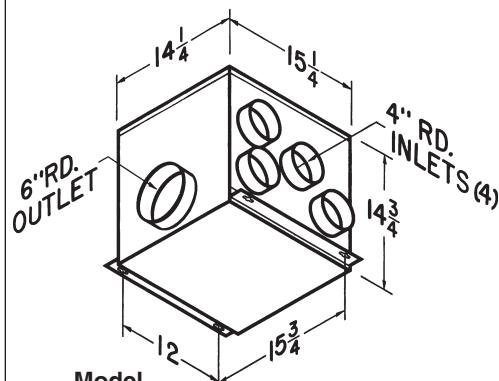
**Models
MP100, MP140,
MP200, MP280**

Multi-Port Ventilators

- Easily handles extended duct runs from a number of different inlets
- Can be installed in virtually any orientation
- High pressure blowers designed to operate at high static pressure
- 6" round outlet; 4" round inlets
- Use 2, 3, or all 4 inlet ports for optimal installation and application flexibility
- Two inlet duct covers included



**Models
MP100, MP140, MP200**



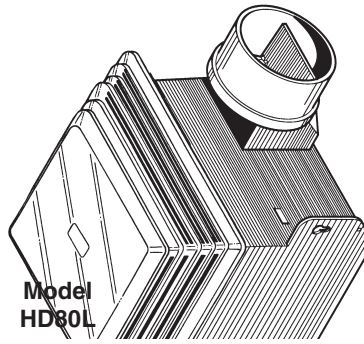
**Model
MP280**

| Model NO. | CFM @ Static Pressure (Ps - Inches of H ₂ O) | | | | | | Volts | Watts | Nominal RPM | Duct Size |
|-----------|---|-----|------|-----|-----|-----|-------|-------|-------------|---------------------|
| | 0.0 | 0.2 | 0.25 | 0.4 | 0.6 | 0.8 | | | | |
| MP100 | 120 | 110 | 107 | 97 | 81 | - | 120 | 53 | 2750 | 6" Round / 4" Round |
| MP140 | 164 | 150 | 145 | 133 | 115 | 103 | 120 | 92 | 2950 | 6" Round / 4" Round |
| MP200 | 224 | 210 | 208 | 200 | 189 | 174 | 120 | 143 | 2950 | 6" Round / 4" Round |
| MP280 | 304 | 290 | 284 | 265 | 230 | 190 | 120 | 215 | 1650 | 6" Round / 4" Round |
| SP100 | 120 | 110 | 107 | 97 | 81 | - | 120 | 52 | 2950 | 6" Round |
| SP140 | 164 | 150 | 145 | 133 | 115 | 103 | 120 | 86 | 2900 | 6" Round |
| SP200 | 224 | 210 | 207 | 195 | 181 | 170 | 120 | 138 | 3000 | 6" Round |

Performance certified is for installation type D - Ducted inlet, ducted outlet. Performance ratings do not include the effects of appurtenances. Speed (RPM) shown is nominal. Performance is based on actual speed of test.

HD-Series Fan/Light

Designed for continuous operation. Last up to three times longer than ordinary residential fan/lights.



Broan offers a heavy-duty solution for continuous ventilation requirements in light commercial and public restroom applications. Specially designed for continuous low maintenance operation. Features a totally enclosed, low RPM motor with permanently sealed bearings. Impact resistant centrifugal blower wheel provides quiet, powerful performance. Follow-up costs associated with service or replacement calls are virtually eliminated.

Other *HD80L* features include:

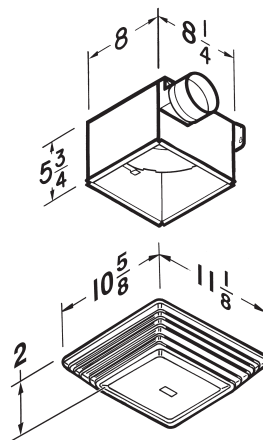
- Built-in housing mounting brackets for fast installation.
- UL listed for use over bathtubs and showers when connected to GFCI protected branch circuit.
- 100 watt light capacity (bulb not included)

A long-term solution for light commercial applications.

The *HD80L Fan/Light* features a 4" duct connector and a high capacity centrifugal blower wheel, so it can be used in applications requiring extended duct runs. A broad certified performance spectrum from AMCA means the *HD80L* is ideally suited for a host of applications.

Model HD80L Fan/Light

- 97 CFM, 4.0 Sones
- Totally enclosed low RPM motor with permanently sealed bearings
- Impact resistant centrifugal blower wheel
- Metal grille, torsion spring mounted
- Pre-wired outlet box for plug-in motor plate
- Rugged steel housing with built-in mounting brackets
- 4" polymeric duct connector
- Durable damper quietly eliminates backdrafts—no metallic clatter
- UL listed for use over bathtubs and showers when connected to a GFCI protected branch circuit



**Model
HD80L
(4" round duct)**



| Model No. | CFM & Sones @ Static Pressure (Ps - Inches Water Gage) | | | | | | | | | | Volts | Watts (Fan only) | Nominal RPM | Duct Size |
|--------------|--|-------|--------------|-------|--------------|-------|--------------|-------|--------------|-------|-------|---------------------|----------------|--------------|
| | 0" wg Ps | | 0.100" wg Ps | | 0.125" wg Ps | | 0.250" wg Ps | | 0.375" wg Ps | | | | | |
| | CFM | Sones | CFM | Sones | CFM | Sones | CFM | Sones | CFM | Sones | | | | |
| HD80L | 97 | 4.0 | 87 | 4.1 | 84 | 4.1 | 69 | 4.2 | 50 | 4.4 | 120 | 50 | 1380 | 4" Round |

Performance ratings include the effects of inlet grille and backdraft damper. Speed (RPM) shown is nominal. Performance is based on actual speed of test. The sound ratings are loudness values in fan sones at 5' (1.5m) in a hemispherical free field calculated per AMCA Std. 301. Values shown are for Installation Type B: free inlet hemispherical sone levels. Performance certified is for Installation Type B: Free inlet, Ducted outlet.

Combination Unit

Added comfort and convenience.

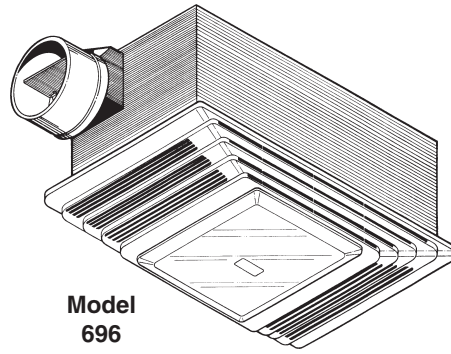
Get exactly the comfort and convenience features you want. All in one compact, easy-to-install unit. Two blower wheels, each powered by its own permanently lubricated plug-in motor, deliver high-efficiency performance

Brilliant room lighting

- Bright 100-watt light capacity (bulb not included)
- Shatter-resistant lens diffuses light evenly

High-performance exhaust fan

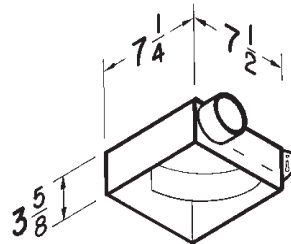
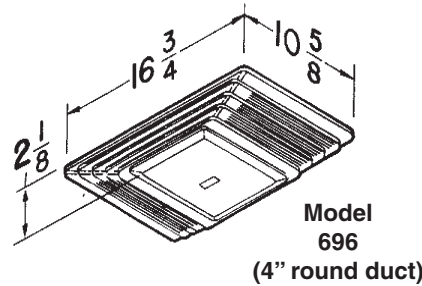
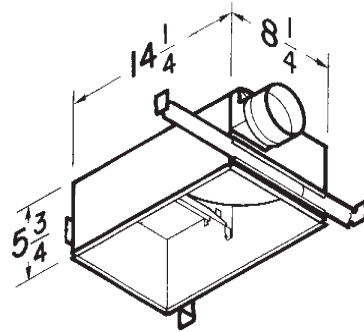
- Built-in damper prevents back-drafts and eliminates metallic clatter
- Adjustable, slotted mounting brackets span up to 24" for easy installation
- Polymeric 4" round duct features a 2" long tapered sleeve for easy, positive ducting
- Housing lined with acoustic insulation
- Designer styled white polymeric grille complements virtually any decor
- Type IC



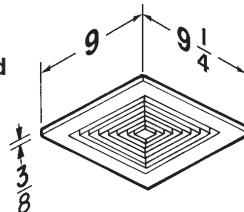
Model 696

Model 696 Fan/Light

- 115 CFM, 5.1 Sones



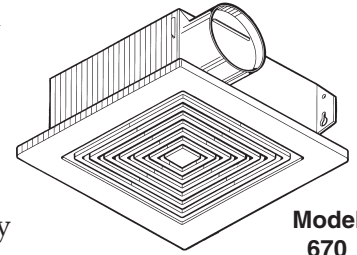
Model 670 (3" round duct)



Bath Fan

Performance for every need and budget.

- Durable fan and blower assembly encased in sturdy steel housing



Model 670

- Permanently lubricated motor drives specially designed blower, quietly delivering high exhaust performance
- Built-in damper prevents cold back-drafts, with no metallic clatter
- Built-in mounting ears for quick, sturdy installation
- Polymeric duct connector features long, tapered sleeves for easier, positive ducting
- UL listed for use over bathtubs and showers when connected to a GFCI-protected branch circuit

Model 670 Deluxe Ceiling/Wall Fan

- 52 CFM, 3.9 Sones @ 0.0" Ps
- Broan-designed durable blower wheel
- Torsion spring grille mounting – no tools needed
- Compact housing fits easily between wall studs
- Double strength steel mounting flanges with key-hole slots for fast, sturdy installation
- 3" round duct connector
- Single packs and Project Packs
- Metal grille kit available separately – Broan part number 97011308

Project Packs

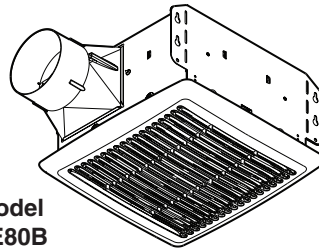
Each "H" Pak includes rough-in housings only, making multi-unit installation more convenient. "F" Pak grille and motor/blower assemblies can be ordered separately, nearer project completion. That way, there are no components to lose or warehouse.

| Model No. | Sones @ 0.0" Ps | CFM @ Static Pressure (Ps – Inches of H ₂ O) | | | | | Volts | Watts (Fan only) | Nominal RPM | Duct Size |
|-----------|---|---|-----|------|------|------|-------|------------------|-------------|-----------|
| | | 0.0 | 0.1 | .125 | .250 | .375 | | | | |
| 696 | 5.1 | 115 | 106 | 103 | 90 | 70 | 120 | 95 | 1550 | 4" Round |
| 670 | CFM/SONES @ Static Pressure (Ps – Inches of H ₂ O) | | | | | 120 | 48 | 1870 | 3" Round | |
| | CFM | 52 | 49 | 47 | 42 | | | | | 29 |
| | Sones | 3.9 | 4.3 | 4.4 | 4.6 | 5.5 | | | | |

Performance ratings include the effects of inlet grille and backdraft damper. Speed (RPM) shown is nominal. Performance is based on actual speed of test. The sound ratings are loudness values in fan sones at 5' (1.5m) in a hemispherical free field calculated per AMCA Std. 301. Values shown are for Installation Type B: free inlet hemispherical sone levels. Performance certified is for Installation Type B: Free inlet, Ducted outlet.

BROAN® InVent™ Series Fan

- Foldable mounting ears for easy, room-side installation in both new construction and retrofit applications
- New damper technology forms a tighter seal, preventing backdrafts and improving air tightness
- Polymeric duct connectors feature long, tapered sleeves for easier, positive ducting
- Permanently lubricated motors drive specially designed blowers, quietly delivering high exhaust performance
- Durable fan and blower assemblies encased in sturdy steel housings
- UL listed for use over bathtubs and showers when connected to a GFCI-protected branch circuit



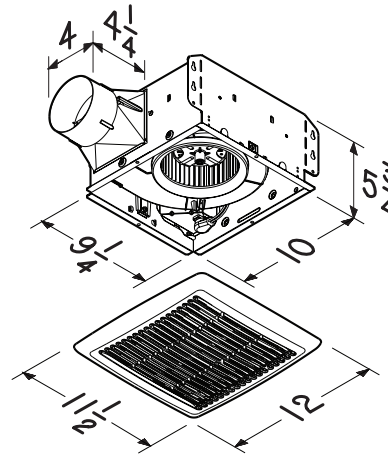
Model AE80B

Model AE80B Bath Fan

- 87 CFM, 1.0 Sones @ 0.0" Ps
- Removable centrifugal type blower assembly with permanently lubricated motor
- Foldable mounting ears for quick installation
- Torsion spring grille mounting – no tools needed
- 4" round duct connector
- Single Paks and Project Paks

Project Paks

Each "H" Pak includes rough-in housings only, making multi-unit installation more convenient. "F" Pak grille and motor/blower assemblies can be ordered separately, nearer project completion. That way, there are no components to lose or warehouse.



| Model No. | Duct Size | Performance @ Static Pressure (Ps) - Inches Water Gage | | | | | | | | | | Volts | Hz. | Nominal RPM | |
|-----------|-----------|--|-------|-----------|-------|-------|-----------|-------|-----------|-------|-----------|-------|-----|-------------|-------|
| | | 0.000" Ps | | 0.100" Ps | | | 0.125" Ps | | 0.250" Ps | | 0.375" Ps | | | | |
| | | CFM | Sones | CFM | Sones | Watts | CFM | Sones | CFM | Sones | CFM | | | | Sones |
| AE80B | 4" Round | 87 | 1.0 | 76 | 1.5 | 26 | 72 | 1.5 | 56 | 2.5 | 38 | 3.0 | 120 | 60.0 | 840 |

Performance ratings include the effects of inlet grille and backdraft damper. Speed (RPM) shown is nominal. Performance is based on actual speed of test. The sound ratings are loudness values in fan sones at 5' (1.5m) in a hemispherical free field calculated per AMCA Std. 301. Values shown are for Installation Type B: free inlet hemispherical sone levels. Performance certified is for Installation Type B: Free inlet, Ducted outlet.

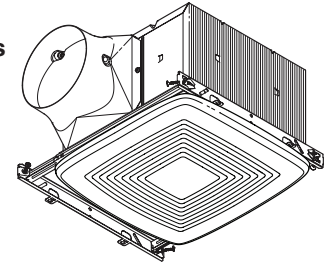
BROAN® ULTRA™ Series Ventilation Fans

UltraGreen™ Energy Saving DC Motor

- DC motor for efficiency well beyond ENERGY STAR® requirements.
- Multi-speed capability ideal for meeting ASHRAE 62.2, LEED and ENERGY STAR® for Homes requirements. Can be used to comply with CA Title 24, as well as local/spot ventilation needs.



Models
ZB80
ZB110



UltraSilent™ Sound Technology

- State-of-the-art blower and duct outlet design smooths airflow.
- High tech DC motor designed for nearly silent operation.

UltraSmart™ Control Technology

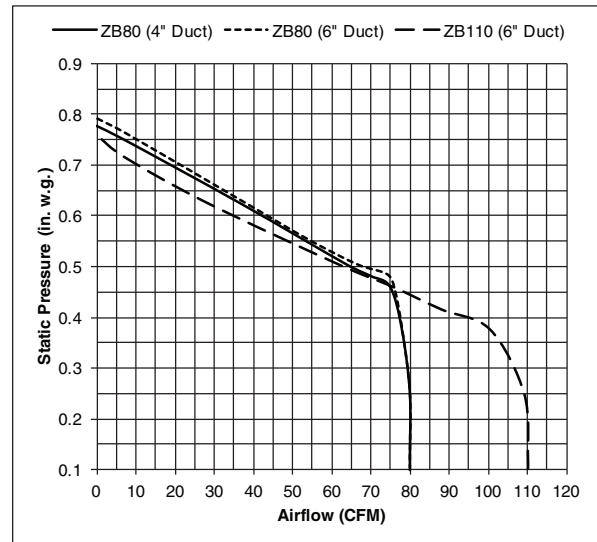
- Powerful operation maintained over a wide range of real-world installations (CFM ratings maintained through at least 0.25" static pressure).
- Infinitely adjustable low cfm setting allows precise adjustment to prevent over-ventilating and maximize efficiency.
- Adjustable time delay sets how long fan will run on high speed before returning to a continuous lower speed.
- Rated for Continuous Operation.

UltraQuick™ Installation Technology

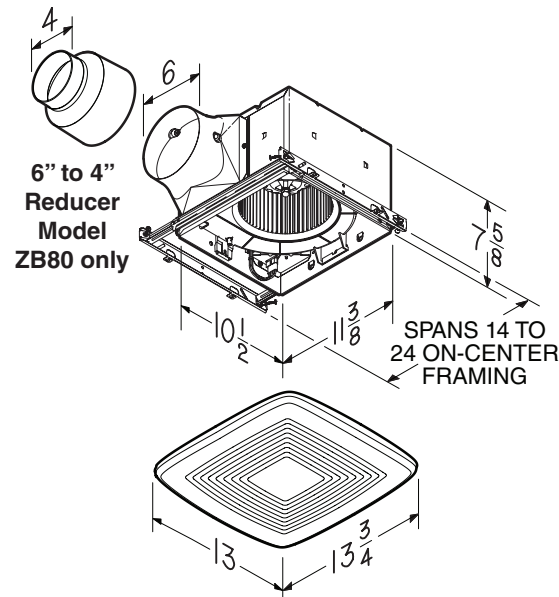
- Unique telescoping mounting frame fits through retrofit drywall opening to allow easy installation from the room side. No attic access needed!
- Captive screws allow for easy new construction installation.
- Mounting frame positioning tabs provide easy vertical positioning for new construction.
- Easy to insert and remove snap-in housing. No screws required!
- Easy to insert and remove snap-in blower.
- Inside or outside duct connector and knockout plate mounting provides flexibility for new construction or retrofit.

U.L. Listed for use over bathtubs and showers when connected to a GFCI protected branch circuit (ceiling mount only).

3-year warranty.



DIMENSIONS (Inches)



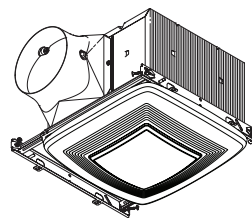
| Model No. | Duct Size | Performance @ Static Pressure (Ps) - Inches Water Gage | | | | | | | | | | | | Volts | Hz. | Nominal RPM | |
|-----------|-----------|--|-------|-------|-----------|-------|-----------|-------|-----------|-------|-----------|-------|-----------|-------|-----|-------------|-------|
| | | 0.100" Ps | | | 0.125" Ps | | 0.250" Ps | | 0.375" Ps | | 0.500" Ps | | 0.625" Ps | | | | |
| | | CFM | Sones | Watts | CFM | Sones | CFM | Sones | CFM | Sones | CFM | Sones | CFM | | | | Sones |
| ZB80 | 4" Round | 80 | < 0.3 | 7.8 | 80 | 0.3 | 80 | 1.0 | 78 | 1.8 | 64 | 2.4 | 37 | 3.0 | 120 | 60 | 985 |
| | 6" Round | 80 | < 0.3 | 6.1 | 80 | < 0.3 | 80 | 0.6 | 78 | 1.4 | 66 | 2.2 | 38 | 3.0 | 120 | 60 | 935 |
| ZB110 | 6" Round | 110 | < 0.3 | 8.4 | 110 | < 0.3 | 109 | 1.4 | 100 | 2.3 | 62 | 3.0 | 28 | 3.6 | 120 | 60 | 940 |

Performance ratings include the effects of inlet grille and backdraft damper. Speed (RPM) shown is nominal. Performance is based on actual speed of test. The sound ratings are loudness values in fan zones at 5' (1.5m) in a spherical free field calculated per AMCA Std. 301. Values shown are for Installation Type B: free inlet hemispherical sone levels. Performance certified is for Installation Type B: Free inlet, Ducted outlet.

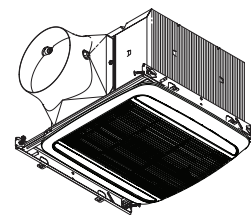
BROAN® ULTRA™ Series Ventilation Fan / Lights

UltraGreen™ Energy Saving DC Motor

- DC motor for efficiency well beyond ENERGY STAR® requirements.
- Multi-speed capability ideal for meeting ASHRAE 62.2, LEED and ENERGY STAR® for Homes requirements. Can be used to comply with CA Title 24, as well as local/spot ventilation needs.



Models
ZB80L, ZB110L



Models
ZB80L1, ZB110L1

UltraSilent™ Sound Technology

- State-of-the-art blower and duct outlet design smooths airflow.
- High tech DC motor designed for nearly silent operation.

UltraSmart™ Control Technology

- Powerful operation maintained over a wide range of real-world installations (CFM ratings maintained through at least 0.25" static pressure).
- Infinitely adjustable low cfm setting allows precise adjustment to prevent over-ventilating and maximize efficiency.
- Adjustable time delay sets how long fan will run on high speed before returning to a continuous lower speed.
- Rated for Continuous Operation.

UltraLucent™ Lighting Technology

Models ZB80L, ZB110L:

- Two, ENERGY STAR® qualified 18 watt (max) GU24, 3500K bulbs brightly illuminate room for most any task (bulbs included).
- One, 4 watt (max) C7 type night-light provides night-time convenience (bulb not included).
- Well-diffused, wide light dispersal floods room for maximum effectiveness and keeps bulbs from showing through lens.
- Enclosed reflector for minimal light visibility through the grille.

Models ZB80L1, ZB110L1:

- Highly efficient, 18 Watt, integrated LED, dimmable
- LED lasts up to 25,000 hours
- Unique, low profile design for wide light pattern
- Even lens diffusion eliminates hotspots

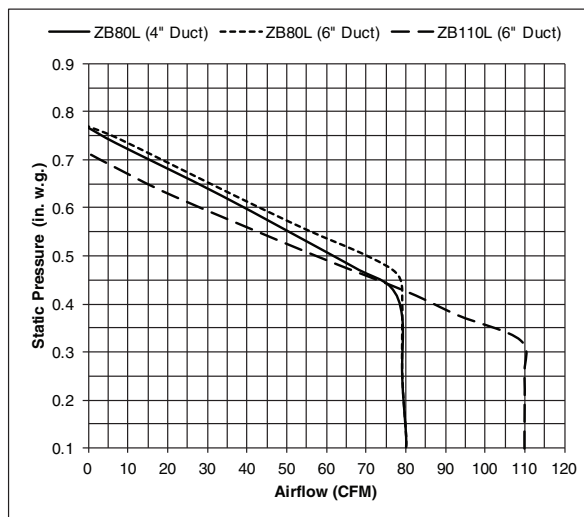
UltraQuick™ Installation Technology

- Unique telescoping mounting frame fits through retrofit drywall opening to allow easy installation from the room side. No attic access needed!
- Captive screws allow for easy new construction installation.
- Mounting frame positioning tabs provide easy vertical positioning for new construction.
- Easy to insert and remove snap-in housing. No screws required!
- Easy to insert and remove snap-in blower.
- Inside or outside duct connector and knockout plate mounting provides flexibility for new construction or retrofit.

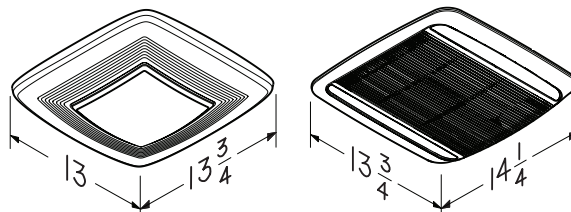
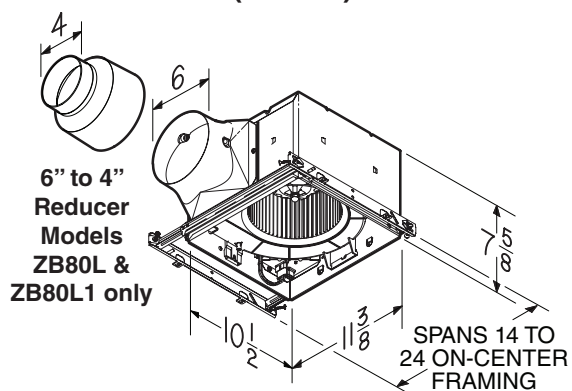
U.L. Listed for use over bathtubs and showers when connected to a GFCI protected branch circuit (ceiling mount only).

U.L. Listed for use in insulated ceilings (Type IC).

3-year warranty on product, 1-year warranty on bulbs.



DIMENSIONS (Inches)



Models ZB80L, ZB110L Models ZB80L1, ZB110L1



| Model No. | Duct Size | Performance @ Static Pressure (Ps) - Inches Water Gage | | | | | | | | | | | | | | Volts | Hz. | Nominal RPM |
|-----------|-----------|--|-------|-------|-----------|-------|-----------|-------|-----------|-------|-----------|-------|-----------|-------|-----|-------|------|-------------|
| | | 0.100" Ps | | | 0.125" Ps | | 0.250" Ps | | 0.375" Ps | | 0.500" Ps | | 0.625" Ps | | | | | |
| | | CFM | Sones | Watts | CFM | Sones | CFM | Sones | CFM | Sones | CFM | Sones | CFM | Sones | | | | |
| ZB80L | 4" Round | 80 | < 0.3 | 8.3 | 80 | 0.3 | 79 | 0.9 | 79 | 1.6 | 62 | 2.1 | 34 | 2.6 | 120 | 60 | 1020 | |
| ZB80L1 | 6" Round | 80 | < 0.3 | 6.7 | 80 | < 0.3 | 79 | 0.6 | 79 | 1.3 | 70 | 2.1 | 37 | 2.6 | 120 | 60 | 980 | |
| ZB110L | 6" Round | 110 | 0.3 | 9.3 | 110 | 0.4 | 110 | 1.1 | 93 | 1.9 | 57 | 2.6 | 22 | 3.4 | 120 | 60 | 980 | |
| ZB110L1 | | | | | | | | | | | | | | | | | | |

Performance ratings include the effects of inlet grille and backdraft damper. Speed (RPM) shown is nominal. Performance is based on actual speed of test. The sound ratings are loudness values in fan sones at 5' (1.5m) in a spherical free field calculated per AMCA Std. 301. Values shown are for Installation Type B: free inlet hemispherical sone levels. Performance certified is for Installation Type B: Free inlet, Ducted outlet.

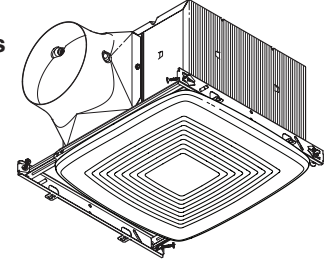
NuTone™ ULTRA™ Series Ventilation Fans

UltraGreen™ Energy Saving DC Motor

- DC motor for efficiency well beyond ENERGY STAR® requirements.
- Multi-speed capability ideal for meeting ASHRAE 62.2, LEED and ENERGY STAR® for Homes requirements. Can be used to comply with CA Title 24, as well as local/spot ventilation needs.



Models
ZN80
ZN110

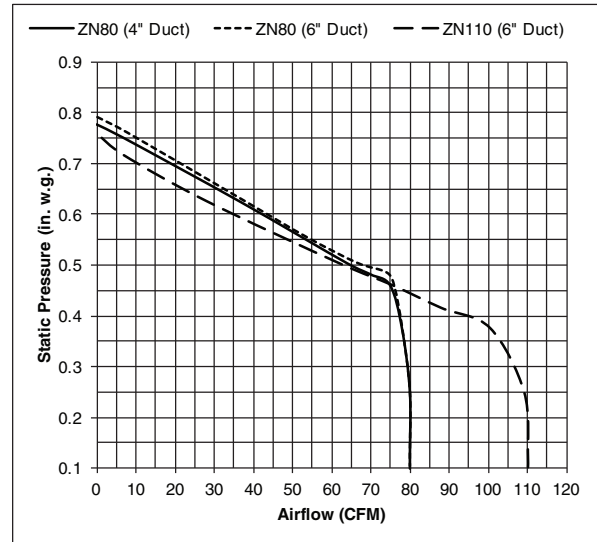


UltraSilent™ Sound Technology

- State-of-the-art blower and duct outlet design smooths airflow.
- High tech DC motor designed for nearly silent operation.

UltraSmart™ Control Technology

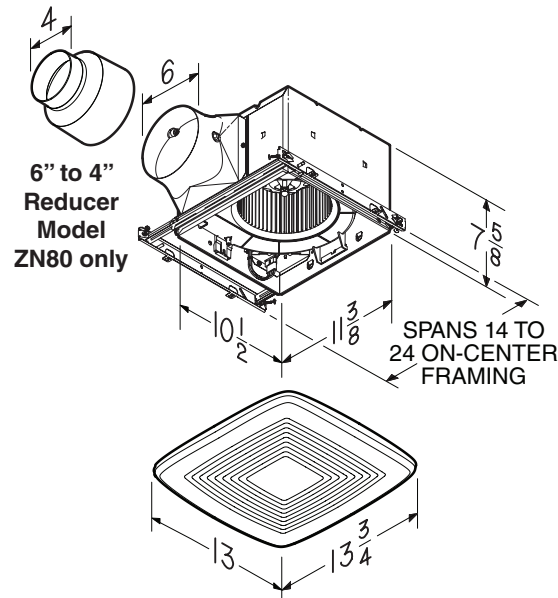
- Powerful operation maintained over a wide range of real-world installations (CFM ratings maintained through at least 0.25" static pressure).
- Infinitely adjustable low cfm setting allows precise adjustment to prevent over-ventilating and maximize efficiency.
- Adjustable time delay sets how long fan will run on high speed before returning to a continuous lower speed.
- Rated for Continuous Operation.



UltraQuick™ Installation Technology

- Unique telescoping mounting frame fits through retrofit drywall opening to allow easy installation from the room side. No attic access needed!
- Captive screws allow for easy new construction installation.
- Mounting frame positioning tabs provide easy vertical positioning for new construction.
- Easy to insert and remove snap-in housing. No screws required!
- Easy to insert and remove snap-in blower.
- Inside or outside duct connector and knockout plate mounting provides flexibility for new construction or retrofit.

DIMENSIONS (Inches)



U.L. Listed for use over bathtubs and showers when connected to a GFCI protected branch circuit (ceiling mount only).

3-year warranty.



| Model No. | Duct Size | Performance @ Static Pressure (Ps) - Inches Water Gage | | | | | | | | | | | | | | Volts | Hz. | Nominal RPM | | | | |
|-----------|-----------|--|-------|-------|-----------|-------|-------|-----------|-------|-------|-----------|-------|-------|-----------|-------|-------|-----|-------------|-----------|-----|-------|-------|
| | | 0.100" Ps | | | 0.125" Ps | | | 0.250" Ps | | | 0.375" Ps | | | 0.500" Ps | | | | | 0.625" Ps | | | |
| | | CFM | Sones | Watts | CFM | Sones | Watts | CFM | Sones | Watts | CFM | Sones | Watts | CFM | Sones | | | | Watts | CFM | Sones | Watts |
| ZN80 | 4" Round | 80 | < 0.3 | 7.8 | 80 | 0.3 | 80 | 1.0 | 78 | 1.8 | 64 | 2.4 | 37 | 3.0 | 120 | 60 | 985 | | | | | |
| | 6" Round | 80 | < 0.3 | 6.1 | 80 | < 0.3 | 80 | 0.6 | 78 | 1.4 | 66 | 2.2 | 38 | 3.0 | 120 | 60 | 935 | | | | | |
| ZN110 | 6" Round | 110 | < 0.3 | 8.4 | 110 | < 0.3 | 109 | 1.4 | 100 | 2.3 | 62 | 3.0 | 28 | 3.6 | 120 | 60 | 940 | | | | | |

Performance ratings include the effects of inlet grille and backdraft damper. Speed (RPM) shown is nominal. Performance is based on actual speed of test. The sound ratings are loudness values in fan sones at 5' (1.5m) in a spherical free field calculated per AMCA Std. 301. Values shown are for Installation Type B: free inlet hemispherical sone levels. Performance certified is for Installation Type B: Free inlet, Ducted outlet.

NuTone™ ULTRA™ Series Ventilation Fan / Lights

UltraGreen™ Energy Saving DC Motor

- DC motor for efficiency well beyond ENERGY STAR® requirements.
- Multi-speed capability ideal for meeting ASHRAE 62.2, LEED and ENERGY STAR® for Homes requirements. Can be used to comply with CA Title 24, as well as local/spot ventilation needs.

UltraSilent™ Sound Technology

- State-of-the-art blower and duct outlet design smooths airflow.
- High tech DC motor designed for nearly silent operation.

UltraSmart™ Control Technology

- Powerful operation maintained over a wide range of real-world installations (CFM ratings maintained through at least 0.25" static pressure).
- Infinitely adjustable low cfm setting allows precise adjustment to prevent over-ventilating and maximize efficiency.
- Adjustable time delay sets how long fan will run on high speed before returning to a continuous lower speed.
- Rated for Continuous Operation.

UltraLucent™ Lighting Technology

- Two, ENERGY STAR® qualified 18 watt (max) GU24, 3500K bulbs brightly illuminate room for most any task (bulbs included).
- One, 4 watt (max) C7 type night-light provides night-time convenience (bulb not included).
- Well-diffused, wide light dispersal floods room for maximum effectiveness and keeps bulbs from showing through lens.
- Enclosed reflector for minimal light visibility through the grille.

UltraQuick™ Installation Technology

- Unique telescoping mounting frame fits through retrofit drywall opening to allow easy installation from the room side. No attic access needed!
- Captive screws allow for easy new construction installation.
- Mounting frame positioning tabs provide easy vertical positioning for new construction.
- Easy to insert and remove snap-in housing. No screws required!
- Easy to insert and remove snap-in blower.
- Inside or outside duct connector and knockout plate mounting provides flexibility for new construction or retrofit.

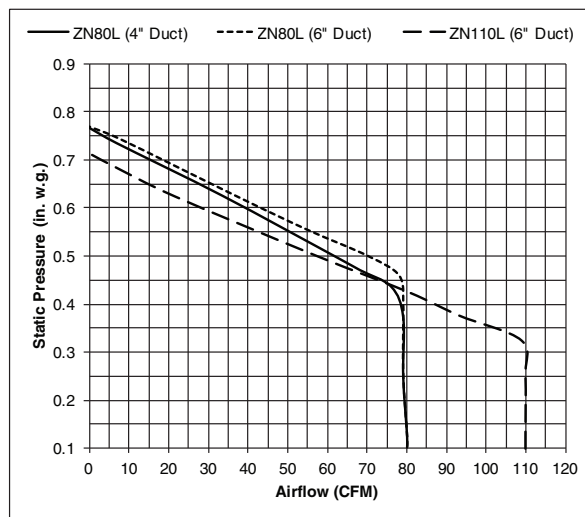
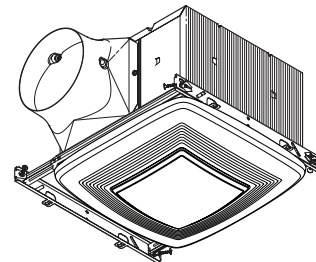
U.L. Listed for use over bathtubs and showers when connected to a GFCI protected branch circuit (ceiling mount only).

U.L. Listed for use in insulated ceilings (Type IC).

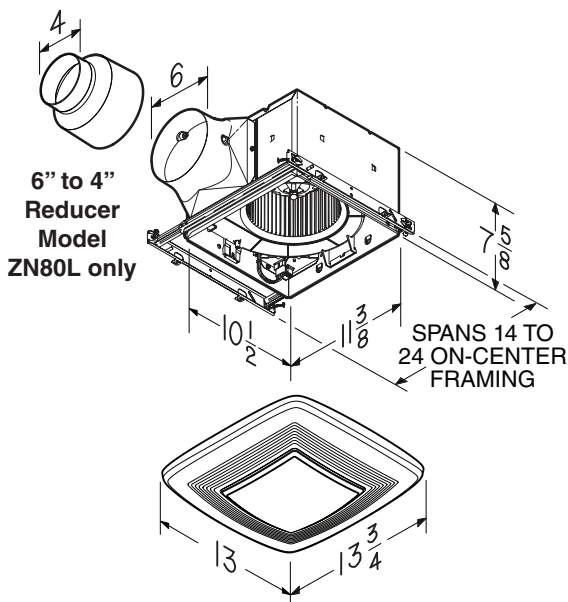
3-year warranty on product, 1-year warranty on bulbs.



Models
ZN80L
ZN110L



DIMENSIONS (Inches)



| Model No. | Duct Size | Performance @ Static Pressure (Ps) - Inches Water Gage | | | | | | | | | | | | Volts | Hz. | Nominal RPM | | | | | | |
|-----------|-----------|--|-------|-------|-----------|-------|-------|-----------|-------|-------|-----------|-------|-------|-------|-----|-------------|-----------|-------|-------|-----------|-------|-------|
| | | 0.100" Ps | | | 0.125" Ps | | | 0.250" Ps | | | 0.375" Ps | | | | | | 0.500" Ps | | | 0.625" Ps | | |
| | | CFM | Sones | Watts | CFM | Sones | Watts | CFM | Sones | Watts | CFM | Sones | Watts | | | | CFM | Sones | Watts | CFM | Sones | Watts |
| ZN80L | 4" Round | 80 | < 0.3 | 8.3 | 80 | 0.3 | 79 | 0.9 | 79 | 1.6 | 62 | 2.1 | 34 | 2.6 | 120 | 60 | 1020 | | | | | |
| | 6" Round | 80 | < 0.3 | 6.7 | 80 | < 0.3 | 79 | 0.6 | 79 | 1.3 | 70 | 2.1 | 37 | 2.6 | 120 | 60 | 980 | | | | | |
| ZN110L | 6" Round | 110 | 0.3 | 9.3 | 110 | 0.4 | 110 | 1.1 | 93 | 1.9 | 57 | 2.6 | 22 | 3.4 | 120 | 60 | 980 | | | | | |

Performance ratings include the effects of inlet grille and backdraft damper. Speed (RPM) shown is nominal. Performance is based on actual speed of test. The sound ratings are loudness values in fan sones at 5' (1.5m) in a spherical free field calculated per AMCA Std. 301. Values shown are for Installation Type B: free inlet hemispherical sone levels. Performance certified is for Installation Type B: Free inlet, Ducted outlet.