



Shown with optional LB30SS liner



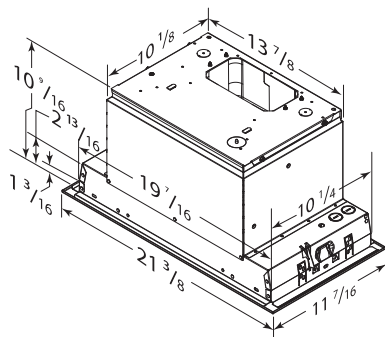
PM400SS



STAINLESS
21-2/5"
PM400SS

Ideal for custom range hood applications, this three-speed powerpack insert protects cabinetry with an optional stainless steel liner while providing 450 MAX Blower CFM.

- 450 MAX Blower CFM, 1.0 sone at normal speed.
- Three-speed, rotary control.
- Bright 1-level LED lighting modules illuminate evenly and are tested in cooking environments to ensure long life without dimming.
- Heat Sentry™ detects excessive heat and adjusts blower speed to high automatically.
- EZ1 clips make it easy for single-person installation.
- Easy-to-clean, fully enclosed bottom with dishwasher-safe, aluminum-mesh filter.
- Optional non-duct operation using HARKPM21 non-duct kit and charcoal filter, sold separately.
- Works with optional Universal Make-up Air Dampers.
- Works with optional stainless LB liners.
- ENERGY STAR® certified powerpack insert.



SPECIFICATIONS

Width	MAX Blower CFM*	Blower	Sones†	Volts	Amps	Duct
21-3/8"	450	Internal	1.0	120	2.3	3-1/4" x 10" (V, H) or 6" RD

* MAX Blower CFM indicates hood blower performance in open air. Find HVI rated performance for this model in the product specification sheet at Broan-NuTone.com

† Sones at normal (or working) speed.

OPTIONAL ACCESSORIES

Non-Duct Kit	Non-Duct Charcoal Filter	Replacement Aluminum Filter	LED	Make-Up Air Dampers	Fresh Air Inlets	Liners
HARKPM21	S99010464	S99010400	Included	MD6TU MD8TU MD10TU	641FA 643FA 610FA	LB30SS LB36SS



BROAN-NUTONE.COM | 800-558-1711 | 926 WEST STATE STREET, HARTFORD, WISCONSIN 53027