

DESCRIPTION

- Combination Fan-Forced Heater, Ventilator and Ceiling Light provides comfort, convenience and long-lasting dependability.
- Electronically balanced centrifugal blower wheel forces heat evenly throughout the room.
- Automatic reset thermal protection.
- Expansion-type hanger bars for joists up to 24" o.c.; mounting brackets adjust for up to 3/4" plaster thickness.
- Detachable junction box features three (3) wiring knockouts.
- One-piece diecast grille with pebble-texture bezel in White Enamel finish. 8" diameter glass lens extends only 3" from ceiling.
- Available as energy efficient fluorescent unit - Model 9093FWH. Uses 26 watt Nema Type CFM26W/GX24D/827 fluorescent lamp. Light output equal to 100 watt incandescent (1,800 lumens). Other units use one (1) standard 100 watt bulb Purchase bulbs locally.
- All units include night light feature - One (1) 7 watt bulb (not included).
- Connects to standard 4" round duct.
- Wall switch with separate on/off controls for all four functions is included with each unit. Or, may be used with any standard in-line thermostat to control the heat cycle.
- Refer to NuTone's catalog for a complete line of accessories to effectively adapt this unit to your construction requirements.

DESIGN FEATURES

Air Delivery: 70 CFM.
Sound Level: 3.5 Sones
Electrical Rating: 120 volts, 1717 watts
Dimensions: **Housing:** 13 1/4" diameter x 7 1/2" deep.
Grille: 15 3/8" diameter x 3" extension from ceiling.
Reflector: 7" diameter.
Lens: 8" diameter.

Material & Finish: **Housing:** Galvanized steel.
Grille: Die-cast zinc with White Enamel finish.
Reflector: Steel with white enamel finish.
Lens: Glass.

Motor: **Ventilator:** Thermally protected.
Heater: Thermally protected.

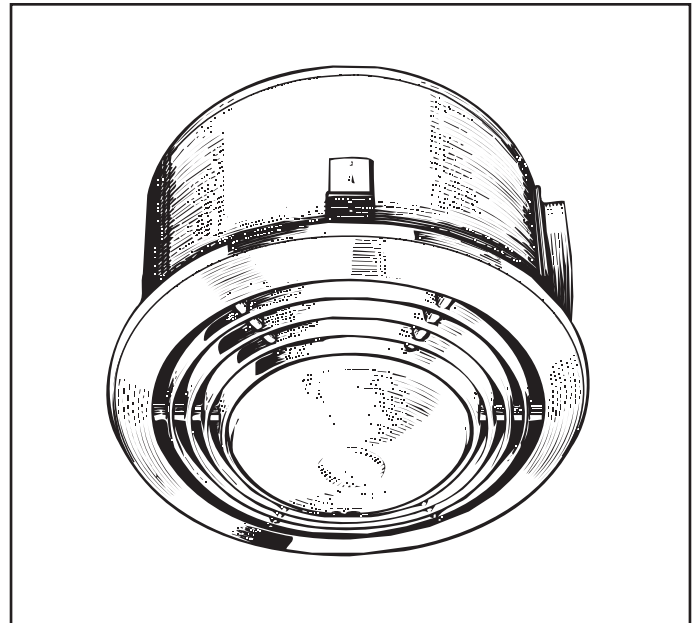
Impeller: **Ventilator:** (1) Aluminum
Heater: (1) Aluminum

Heating Element: Nickel-chrome, open coil 1500w.

Duct Size: 4" round.

Deluxe Heat-A-Ventlite®

MODEL: 9093 SERIES



INSTALLATION

- Detailed installation instructions are included with each unit.

ARCHITECT'S SPECIFICATIONS

Heat-A-Ventlite® shall be Model Number (specify) as manufactured by NuTone according to listed specifications. Specify Model Number:

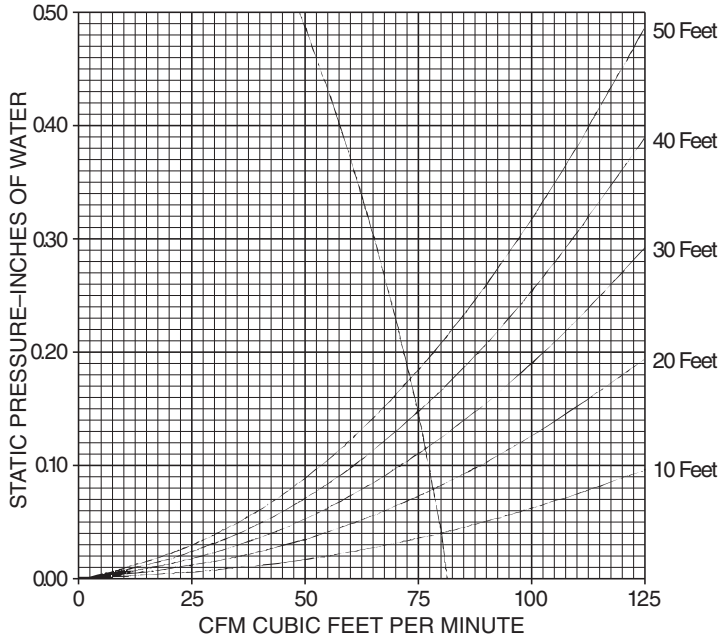
Model Number	Grille Finish
9093CWH	White Enamel

CERTIFIED TEST DATA



Air delivery and sound level ratings are certified by the Home Ventilating Institute Division of AMCA, based on testing performed by an independent third party testing laboratory, in accordance with HVI standards. This NuTone model is Certified by the Canadian Standards Association (CSA.)

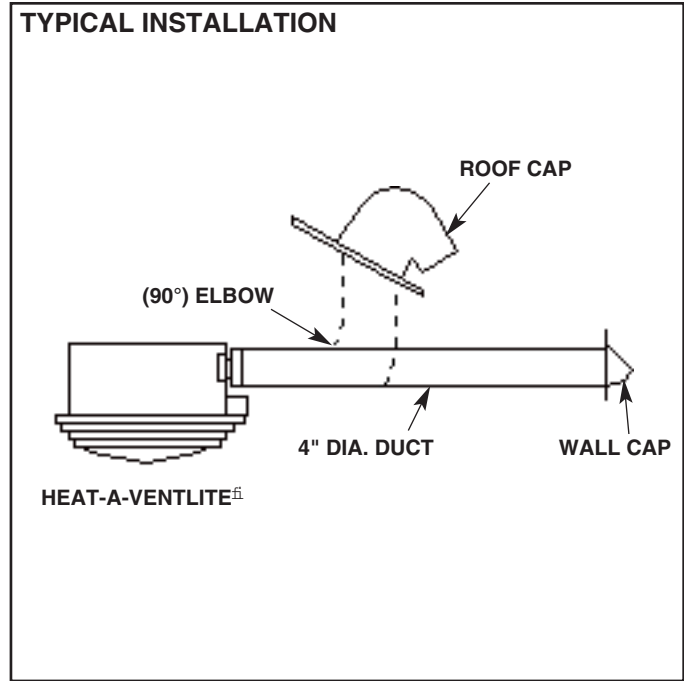
AIR PERFORMANCE CURVE
(4 In. Duct to 10 Foot Lengths)



STATIC PRESSURE INCHES OF WATER	0.05	0.1	0.15	0.2	0.25	0.3	0.35	0.4	0.45	0.5	0.60	0.70	1.10
CFM	80	77	75	72	68	64	62	57	52	48	42	32	0

The air delivery of a ventilating system may be determined by:

1. Determine the equivalent duct length for each 90 degree elbow by adding one foot of duct length for each inch of duct diameter, i.e., a 4 inch diameter duct elbow equals 4 feet equivalent duct length and an 8 inch diameter duct elbow equals 8 feet equivalent duct length.
2. Add the total straight length of duct and the equivalent length for each elbow to obtain the total equivalent duct length.
3. Locate the intersection of the fan performance curve and the total equivalent duct length curves and draw a vertical line down to the CFM scale and read the system air performance.
(NOTE: 3¼" x 10" duct equals 6 inch diameter duct.)



NuTone®

Broan-NuTone LLC Hartford, Wisconsin 53027
www.nutone.com 800-637-1453

99045281A