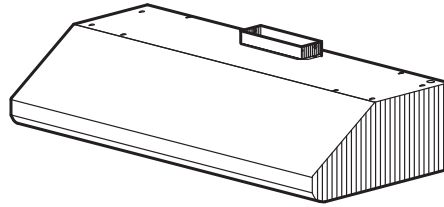


# E64 SERIES RANGE HOOD



**For domestic cooking only.**

Styling is fresh and modern, yet designed to easily complement popular pro-style, high performance cooking products.

A complete installation requires several optional components. Refer to page 2 when planning your installation.

### FEATURES

#### HOOD:

- Widths available - 30" to 48" in 6" increments
- Stainless steel, 22 gauge, type 430, no. 4 brush
- Stainless steel baffle filters with handles - easily accessible, dishwasher safe
- 2-level cooktop lighting (30" & 36" wide hoods = 2 lamps, 42" & 48" wide hoods = 3 lamps. Uses 50 W, GU10 halogen lamps. Bulbs not included.)
- Solid-state, variable speed blower control with speed memory
- Exclusive, Heat Sentry™ turns blower ON to HIGH speed when excess heat is detected
- 3¼" x 10" ducting - single blower (600 cfm)
- 4½" x 18½" ducting - dual blower (1200 cfm)
- Compatible with Broan Automatic Make-up Air Dampers - MD6T (6" duct), MD8T (8" duct)
- For indoor use only.

#### NON-DUCTED RECIRCULATING KIT:

##### ANKE60 Series (Optional)

- Stainless steel, 22 gauge, type 430, no. 4 brush
- Available for hood widths up to 48"
- Charcoal filters included
- Replacement charcoal filters:  
- Service Part # SV08343 - round filter retail pack

#### BACKSPLASH:

##### RMP Series (Optional)

- Widths - 30" to 48" in 6" increments
- Stainless steel, 22 gauge, type 430, no. 4 brush - protects back wall and wipes clean easily
- Two, removable, dual position condiment storage shelves

#### SPECIFICATION:

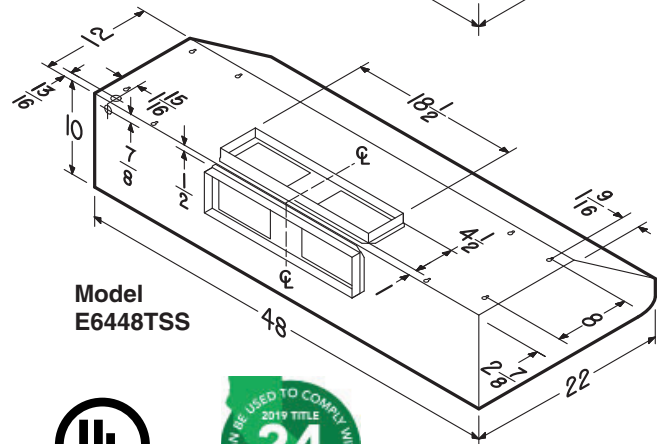
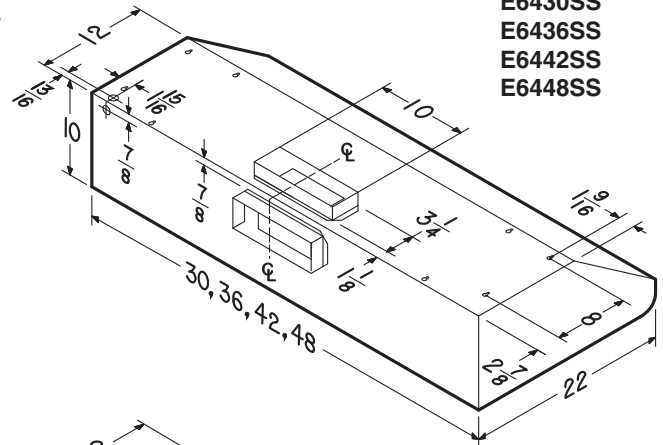
##### Single Blower

- Max. blower CFM\*: 650
- 120 VAC, 60 Hz, 5.5 Amps
- 600 cfm, sound level no greater than 13 sones (high speed, vert. & horiz. discharge)
- See last page for HVI performance data.

##### Dual Blower

- Max blower CFM\*: 1290
- 120 VAC, 60 Hz, 9.0 Amps
- 1200 cfm, sound level no greater than 14.5 sones (high speed, vert. & horiz. discharge)
- See last page for HVI performance data.

**Models**  
E6430SS  
E6436SS  
E6442SS  
E6448SS



**Model**  
E6448TSS



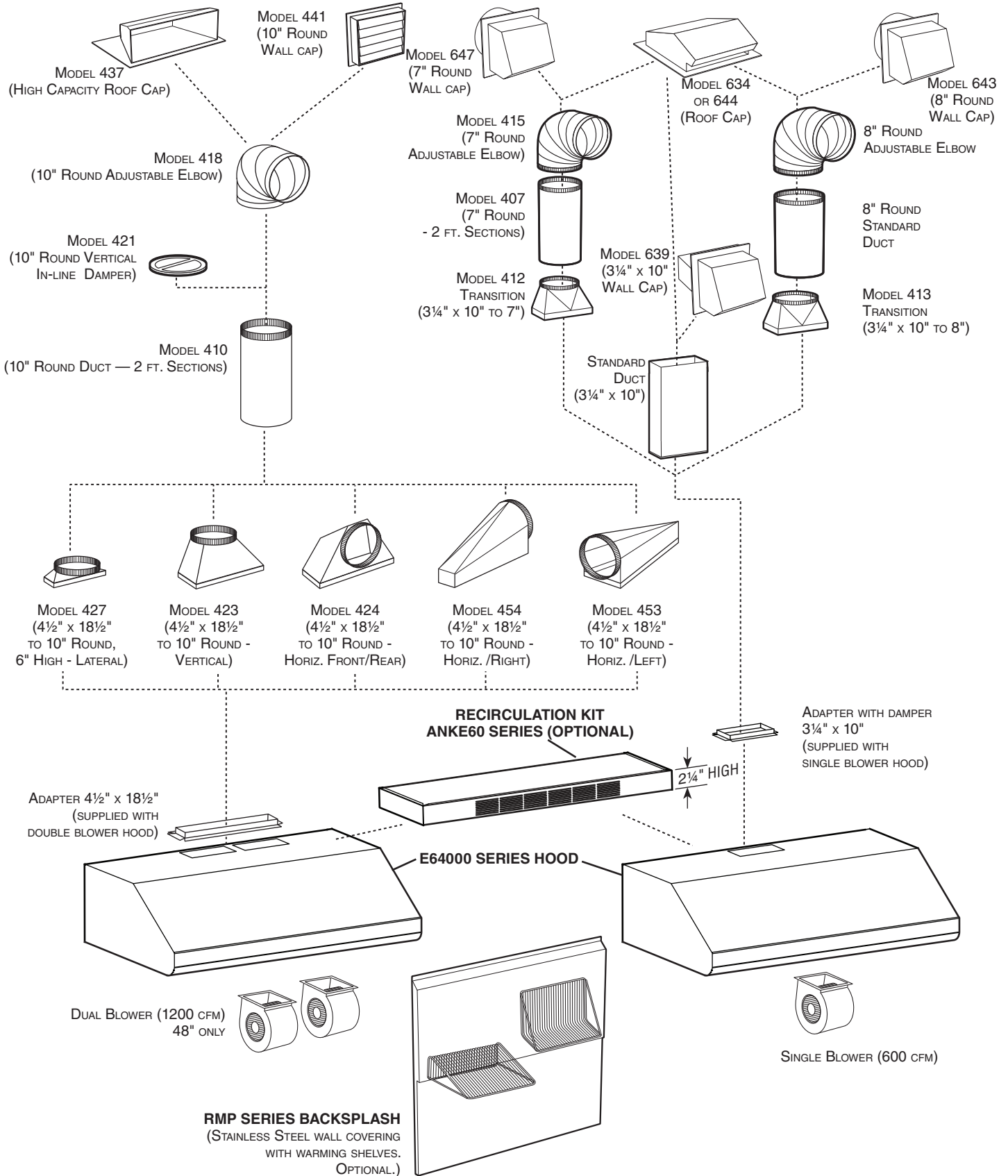
HVI-2100 CERTIFIED RATINGS comply with new testing technologies and procedures prescribed by the Home Ventilating Institute, for off-the-shelf products, as they are available to consumers. Product performance is rated at 0.1 in. static pressure, based on tests conducted in a state-of-the-art test laboratory. Sones are a measure of humanly-perceived loudness, based on laboratory measurements.

\* Max. blower CFM indicates the performance of the hood blower in open air.

Broan-NuTone LLC Hartford, Wisconsin www.broan-nutone.com 800-558-1711

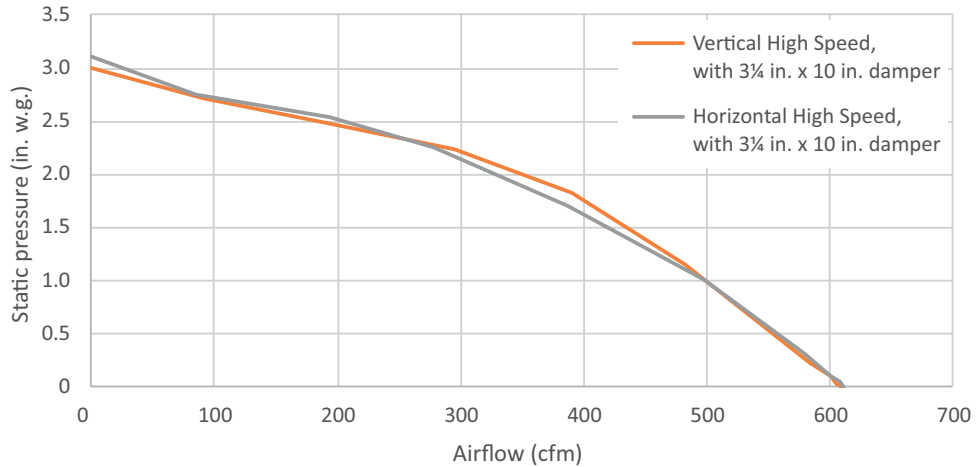
REFERENCE	QTY.	REMARKS	Project
			Location
			Architect
			Engineer
			Contractor
			Submitted By <span style="float: right;">Date</span>

# E64 SERIES RANGE HOOD SYSTEM INTERNAL BLOWERS



# E64 SERIES PERFORMANCES

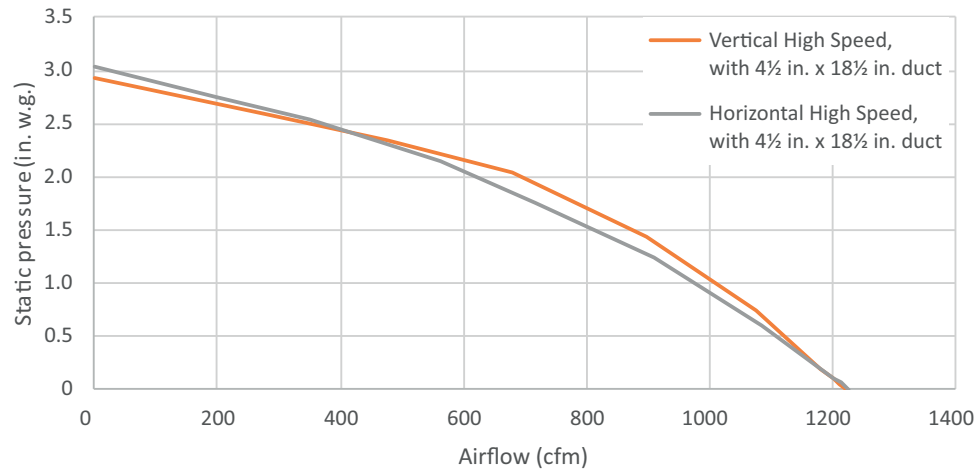
**Models**  
**E6430SS**  
**E6436SS**  
**E6442SS**  
**E6448SS**



## HVI PERFORMANCE

Duct Orientation	Size	Damper	Sones		CFM		
			Normal	High	Normal	High 0.25 in. w.g.	High 0.1 in. w.g.
Vertical - Rectangular	3 1/4 in. x 10 in.	Included	1.5	13.0	100	581	600
Horizontal - Rectangular	3 1/4 in. x 10 in.	Included	1.5	13.0	100	585	600

**Model**  
**E6448TSS**



## HVI PERFORMANCE

Duct Orientation	Size	Damper	Sones		CFM		
			Normal	High	Normal	High 0.25 in. w.g.	High 0.1 in. w.g.
Vertical - Rectangular	4 1/2 in. x 18 1/2 in.	Not included	2.0	14.5	350	1169	1200
Horizontal - Rectangular	4 1/2 in. x 18 1/2 in.	Not included	2.0	14.0	350	1166	1200