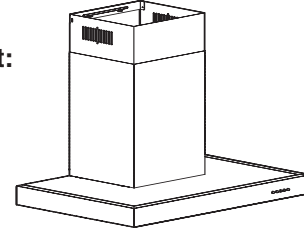


# CHIMNEY RANGE HOOD

To register this product visit:  
[www.broan.com](http://www.broan.com)



## READ AND SAVE THESE INSTRUCTIONS

**⚠ INTENDED FOR DOMESTIC COOKING ONLY. ⚠**

### **⚠ WARNING**

**TO REDUCE THE RISK OF FIRE, ELECTRIC SHOCK, OR INJURY TO PERSON(S) OBSERVE THE FOLLOWING:**

1. Use this unit only in the manner intended by the manufacturer. If you have questions, contact the manufacturer at the address or telephone number listed in the warranty.
2. Before servicing or cleaning unit, switch power off at service panel and lock service disconnecting means to prevent power from being switched on accidentally. When the service disconnecting means cannot be locked, securely fasten a prominent warning device, such as a tag, to the service panel.
3. Installation work and electrical wiring must be done by qualified personnel in accordance with all applicable codes and standards, including fire-rated construction codes and standards.
4. Sufficient air is needed for proper combustion and exhausting of gases through the flue (chimney) of fuel burning equipment to prevent backdrafting. Follow the heating equipment manufacturer's guidelines and safety standards such as those published by the National Fire Protection Association (NFPA), the American Society for Heating, Refrigeration and Air Conditioning Engineers (ASHRAE) and the local code authorities.
5. This product may have sharp edges. Be careful to avoid cuts and abrasions during installation or cleaning.
6. When cutting or drilling into wall or ceiling, do not damage electrical wiring and other hidden utilities.
7. Ducted fans must always be vented to the outdoors.
8. Do not use this unit with any other solid-state speed control device.
9. To reduce the risk of fire, use only steel ductwork.
10. This unit must be grounded.

**TO REDUCE THE RISK OF A RANGE TOP GREASE FIRE:**

- a) Never leave surface units unattended at high settings. Boilovers cause smoking and greasy spillovers that may ignite. Heat oils slowly on low or medium settings.
- b) Always turn hood ON when cooking at high heat or when cooking flaming foods (i.e. Crêpes Suzette, Cherries Jubilee, Peppercorn Beef Flambé).
- c) Clean ventilating fans frequently. Grease should not be allowed to accumulate on fan or filters.
- d) Use proper pan size. Always use cookware appropriate for the size of the surface element.

### **⚠ WARNING**

**TO REDUCE THE RISK OF INJURY TO PERSON(S) IN THE EVENT OF A RANGE TOP GREASE FIRE, OBSERVE THE FOLLOWING\*:**

1. SMOTHER FLAMES with a close-fitting lid, cookie sheet, or metal tray, then turn off the burner. BE CAREFUL TO PREVENT BURNS. IF THE FLAMES DO NOT GO OUT IMMEDIATELY, EVACUATE AND CALL THE FIRE DEPARTMENT.
2. NEVER PICK UP A FLAMING PAN – You may be burned.
3. DO NOT USE WATER, including wet dishcloths or towels – This could cause a violent steam explosion.
4. Use an extinguisher ONLY if:
  - A. You know you have a Class ABC extinguisher and you know how to operate it.
  - B. The fire is small and contained in the area where it started.
  - C. The fire department has been called.
  - D. You can fight the fire with your back to an exit.

\* Based on "Kitchen Fire Safety Tips" published by NFPA.

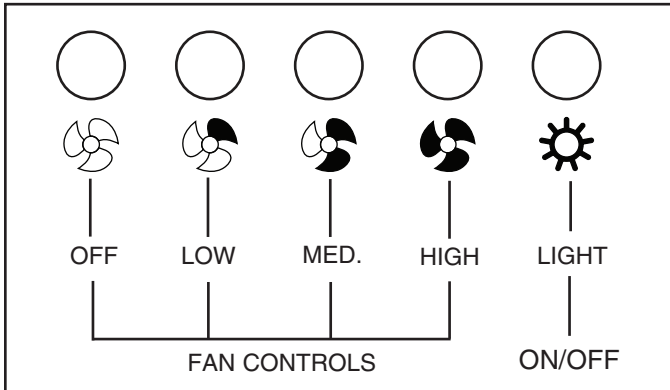
### **CAUTION**

1. For indoor use only.
2. For general ventilating use only. Do not use to exhaust hazardous or explosive materials and vapors.
3. To avoid motor bearing damage and noisy and/or unbalanced impeller, keep drywall spray, construction dust, etc. off power unit.
4. Do not use over cooking equipment greater than 60,000 BTU/hr. as the blower motor will shut down intermittently.
5. Your hood motor has a thermal overload which will automatically shut off the motor if it becomes overheated. The motor will restart when it will cool down. If the motor continues to shut off and restart, have the hood serviced.
6. A maximum height of 36" above the cooktop is recommended for best capture of cooking impurities. The bottom of the hood MUST NOT BE LESS than 30" above the cooktop.
7. Two installers are recommended because of the size of this hood.
8. To reduce risk of fire and to properly exhaust air, be sure to duct air outside. Do not exhaust air into spaces within walls or ceilings or into attics, crawl spaces, or garages.
9. Be careful when installing the decorative flue and hood, they may have sharp edges.
10. Please read specification label on product for further information and requirements.

**INSTALLER: LEAVE THIS GUIDE TO THE HOMEOWNER.**

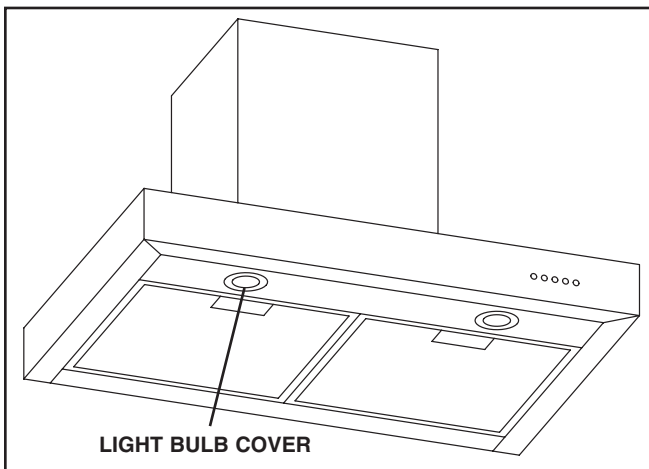
**HOMEOWNER: OPERATION AND MAINTENANCE INFORMATION ON PAGE 2.**

### OPERATION



The hood is operated using the push buttons on the front panel.  
Push the light button to turn the lights on and off.  
Push the fan controls to select low, medium, or high blower speed.  
Push the OFF button to turn the blower off.

### LIGHT BULBS



**⚠ WARNING**  
Bulbs may be hot. Always allow bulbs to cool down before removing them.

This range hood requires two halogen bulbs (Type JC, 12V, 20W Max, G-4 Base - included).

To change bulbs:

1. Remove light bulb cover by gently pushing it upward and turning it counterclockwise.
2. Replace bulb.
3. Re-install light bulb cover by gently pushing it upward and turning it clockwise.

### CLEANING AND MAINTENANCE

Proper maintenance of the Range Hood will assure proper performance of the unit.

#### MOTOR

The motor is permanently lubricated and never needs oiling. If the motor bearings make excessive or unusual noise, replace the motor with the exact service motor. The impeller should also be replaced.

#### GREASE FILTER

The grease filter should be cleaned frequently. Use a warm detergent solution. Grease filter is dishwasher safe.

Clean all-metal filters in the dishwasher using a non-phosphate detergent. Discoloration of the filter may occur if using phosphate detergents, or as a result of local water conditions - but this will not affect filter performance. This discoloration is not covered by the warranty.

Remove grease filter by pushing back on the metal latch tab. This will disengage the filter from the hood. Tilt the filter downward and remove.

#### NON-DUCTED RECIRCULATION FILTERS

The non-ducted recirculation filters should be changed every 3-6 months. Replace more often if your cooking style generates extra grease, such as frying and wok cooking.

Rotate the filters to remove them from the blower and replace.

#### STAINLESS STEEL CLEANING

##### DO:

- Regularly wash with clean cloth or rag soaked with warm water and mild soap or liquid dish detergent.
- Always clean in the direction of original polish lines.
- Always rinse well with clear water (2 or 3 times) after cleaning. Wipe dry completely.
- You may also use a specialized household stainless steel cleaner.

##### DON'T:

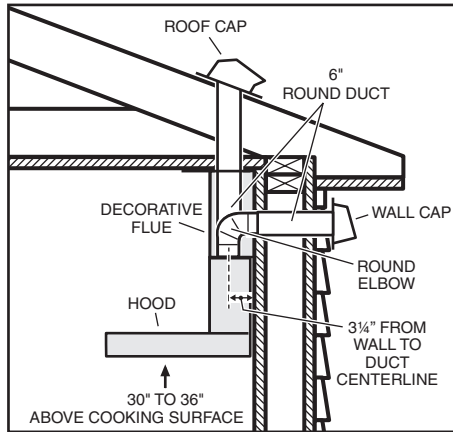
- Use any steel or stainless steel wool or any other scrapers to remove stubborn dirt.
- Use any harsh or abrasive cleansers.
- Allow dirt to accumulate.
- Let plaster dust or any other construction residues reach the hood. During construction/renovation, cover the range hood to make sure no dust sticks to the stainless steel surface.

##### Avoid: When choosing a detergent

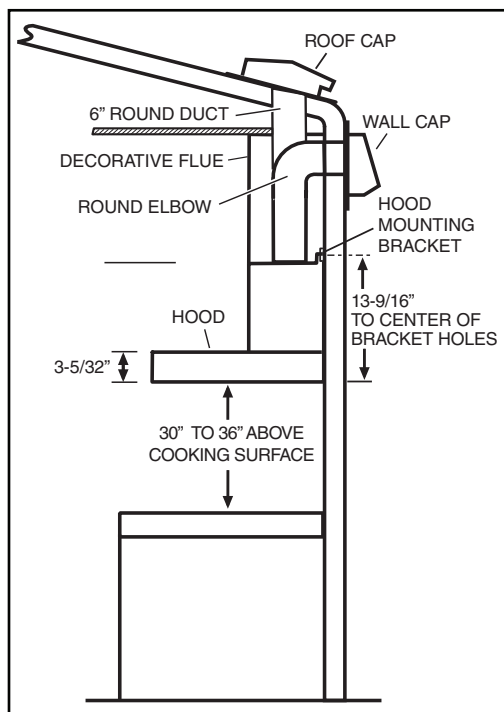
- Any cleaners that contain bleach will attack stainless steel
- Any products containing: chloride, fluoride, iodide, bromide will deteriorate surfaces rapidly.
- Any combustible products used for cleaning such as acetone, alcohol, ether, benzol, etc., are highly explosive and should never be used close to a range.

## INSTALL THE DUCTWORK (Ducted Hoods Only)

1. Decide where the ductwork will run between the hood and the outside.
2. A straight, short duct run will allow the hood to perform most efficiently.
3. Long duct runs, elbows and transitions will reduce the performance of the hood. Use as few of them as possible. Larger ducting may be required for best performance with longer duct runs.
4. Install wall cap or roof cap. Connect round metal ductwork to cap and work back towards the hood location. Use duct tape to seal the joints between ductwork sections.



## MEASURE THE INSTALLATION



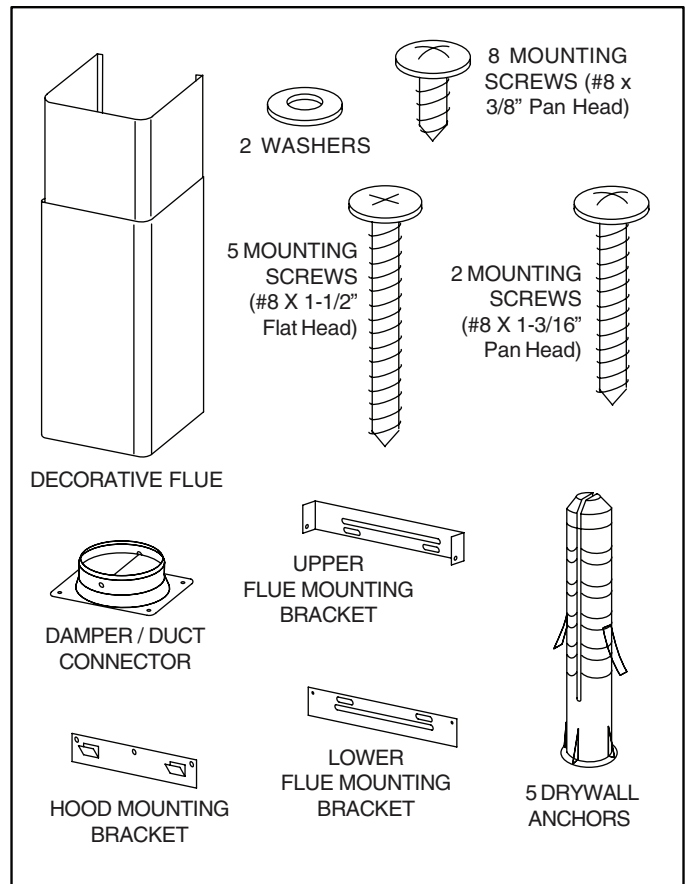
A maximum of 36" above cooktop is recommended for best capture of cooking impurities. The bottom of the hood **MUST NOT BE LESS** than 30" above the cooktop.

Distances over 36" are at the installer and users discretion; providing that the ceiling height permits.

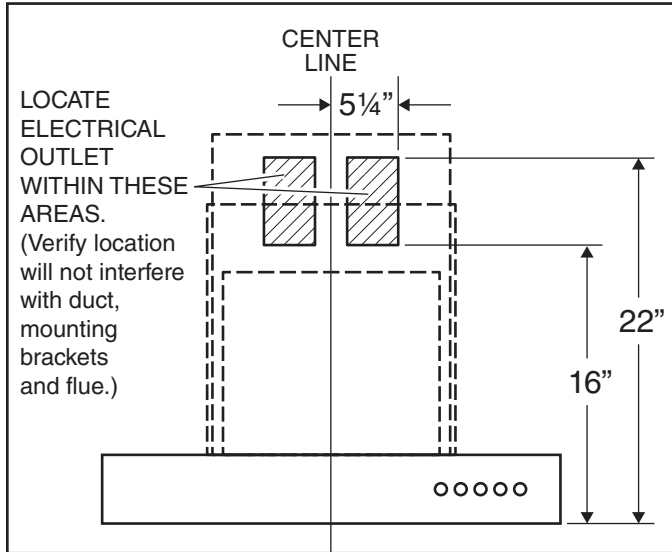
## PREPARE THE HOOD

Unpack hood and check contents. You should receive:

- 1 - Hood
- 1 - Decorative Flue Assembly
- 1 - Damper / Duct Connector
- 1 - Lower Flue Mounting Bracket
- 1 - Upper Flue Mounting Bracket
- 1 - Hood Mounting Bracket
- 2 - Aluminum Grease Filters (installed in hood)
- 1 - Parts Bag containing:
  - 8 - Mounting Screws (#8 x 3/8" Pan Head)
  - 5 - Mounting Screws (#8 x 1-1/2" Flat Head)
  - 2 - Mounting Screws (#8 x 1-3/16" Pan Head)
  - 5 - Drywall Anchors
  - 2 - Washers
- 1 - Installation Manual



## INSTALL THE WIRING



### 1. GROUNDING INSTRUCTIONS

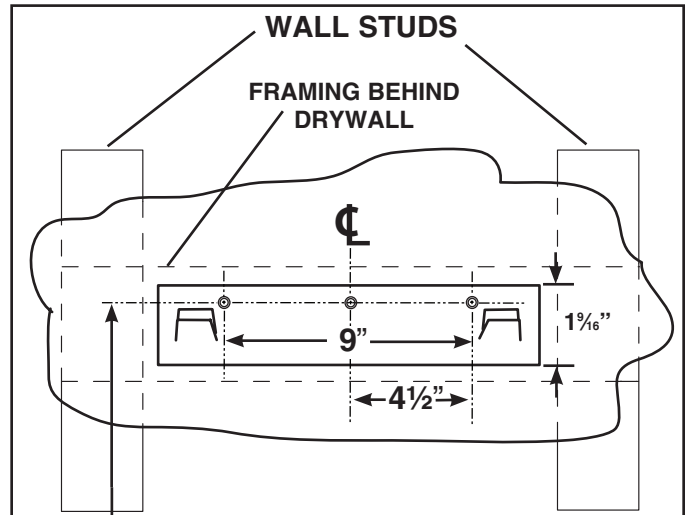
This appliance must be grounded. In the event of an electrical short circuit, grounding reduces the risk of electric shock by providing an escape wire for the electric current. This appliance is equipped with a cord having a grounding wire with a grounding plug. The plug must be plugged into an outlet that is properly installed and grounded.

#### NOTE:

**A recessed "clock" outlet is recommended.**

2. Position the electrical outlet within the space covered by the decorative flue and where it will not interfere with the round duct. Make sure the outlet is no further than 14" from where the cord exits from the hood and that the outlet does not interfere with a mounting bracket fastening area or where the decorative flue touches the wall.

## INSTALL THE HOOD MOUNTING BRACKET



43-9/16" = bottom of hood 30" above cooktop  
49-9/16" = bottom of hood 36" above cooktop

- Construct wood wall framing that is flush with interior surface of wall studs.  
Make sure:
  - the framing is centered over installation location.
  - the height of the framing will allow the mounting bracket to be secured to the framing within the dimensions shown.
- After wall surface is finished, carefully center and level the hood mounting bracket and secure it to wall framing with (3) #8 x 1-1/2" mounting screws. Tighten the screws completely.

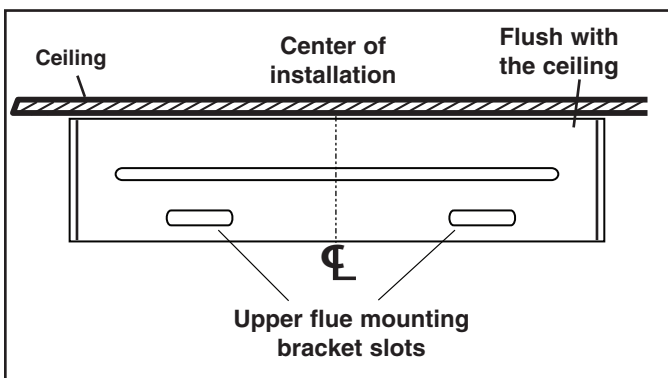
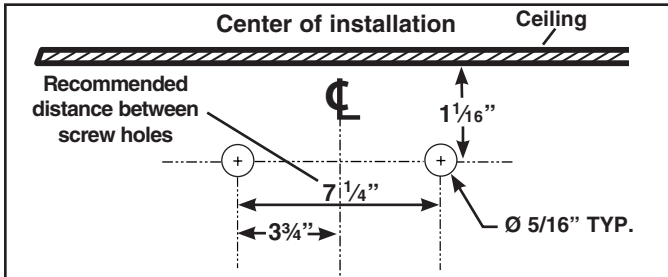
Desired Hood Distance Above 36" High Cooktop (see note 1)

Ceiling Height	Duct Method	30"	31"	32"	33"	34"	35"	36"
		Mounting Bracket Mounting Holes Location Above 36" High Cooktop						
8 Feet	Ducted	43-9/16"	44-9/16"	45-9/16"	46-9/16"	47-9/16"	48-9/16"	49-9/16"
	Non-Ducted	43-9/16"	44-9/16"	45-9/16"				
9 Feet	Ducted	43-9/16"	44-9/16"	45-9/16"	46-9/16"	47-9/16"	48-9/16"	49-9/16"
	Non-Ducted	43-9/16"	44-9/16"	45-9/16"	46-9/16"	47-9/16"	48-9/16"	49-9/16"
10 Feet (see note 2)	Ducted	43-9/16"	44-9/16"	45-9/16"	46-9/16"	47-9/16"	48-9/16"	49-9/16"
	Non-Ducted	43-9/16"	44-9/16"	45-9/16"	46-9/16"	47-9/16"	48-9/16"	49-9/16"

#### Notes:

- A maximum height of 36" above the cooktop is recommended for best capture of cooking impurities. The bottom of the hood **MUST NOT BE LESS** than 30" above the cooktop. Distances over 36" above the cooktop are at the installer's and user's discretion - providing that the ceiling height and flue length permit.
- Requires 10-ft. flue extension accessory - Model Number FXN53SS.

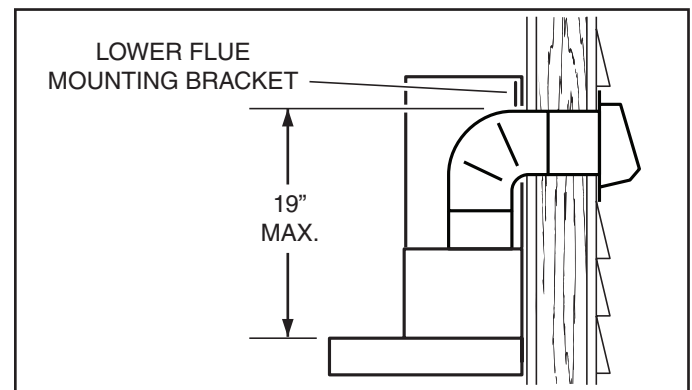
## INSTALL UPPER FLUE MOUNTING BRACKET



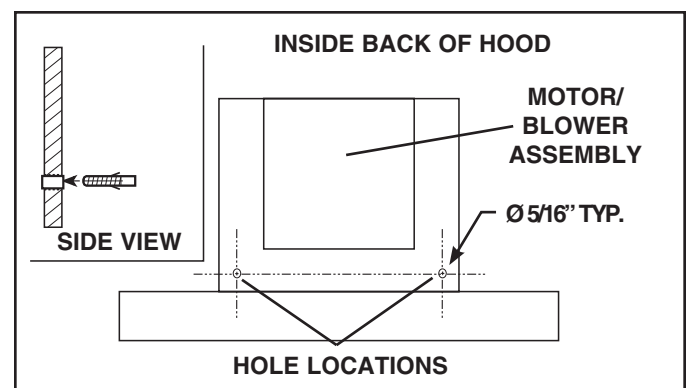
1. Drill two  $\frac{5}{16}$ " diameter holes where shown. Insert drywall anchors into the holes.
2. Center the bracket over the hood location and flush with the ceiling. Make sure that the slots of the upper flue bracket are at the bottom. Secure the upper flue bracket to the wall using (2) #8 x  $1\frac{1}{2}$ " mounting screws.
3. Tighten the screws completely. Make sure that the bracket is tight against the wall.

## INSTALL THE HOOD (Horizontally Ducted Hoods Only)

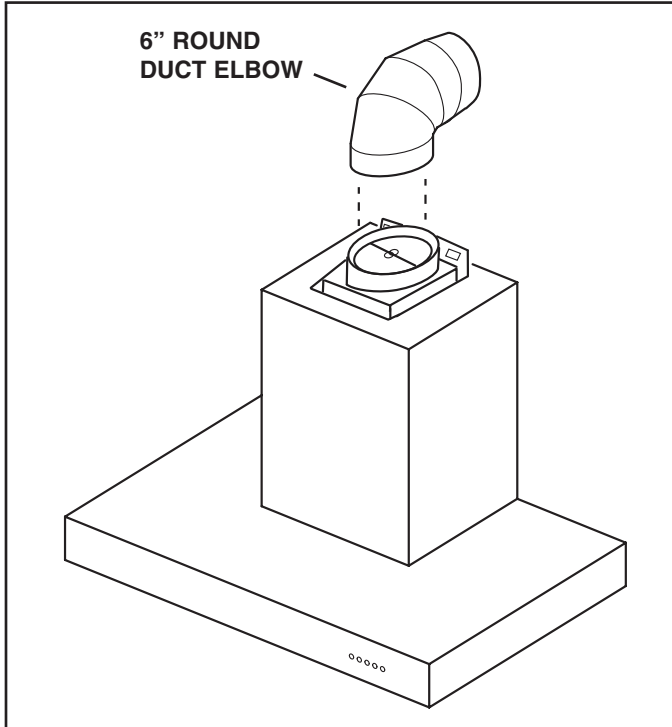
1. DO NOT REMOVE the protective plastic film covering the decorative flue and the hood at this time.
2. Lay the back side of the hood flat on a table. Use a piece of cardboard to avoid damaging the table or the hood.
3. Attach damper / duct connector to top of hood using (4) #8 x  $\frac{3}{8}$ " Pan Head mounting screws.
4. Remove the grease filters by pushing back the metal latch tab and tilting filters downward to remove.
5. Carefully rotate hood upright.



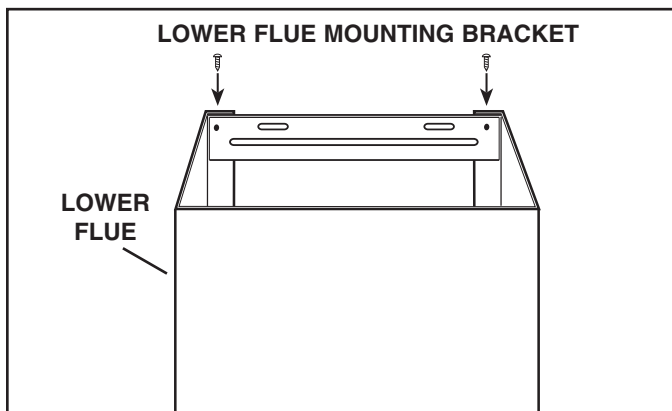
6. To make sure there will be adequate clearance between top of hood and lower flue mounting bracket for ductwork: Elbow must be located below lower flue mounting bracket.
7. Align the hood and center it above the hood mounting bracket. Gently lower the hood until it securely engages the bracket.



8. With the hood hanging in place, drill through both holes located in the inside lower back of hood using a  $\frac{5}{16}$ " drill bit. Insert the included drywall anchors into the drilled holes (one for each hole). Install (2) washers and (2) #8 x  $1\frac{3}{16}$ " pan head mounting screws through the hood back and into the drywall anchors. Verify that the hood is centered and leveled. Tighten all screws completely.
9. Reinstall grease filters by aligning rear filter tabs with slots in the hood. Push back the metal latch tab, push filter into position and release. Make sure filters are securely engaged after installation.

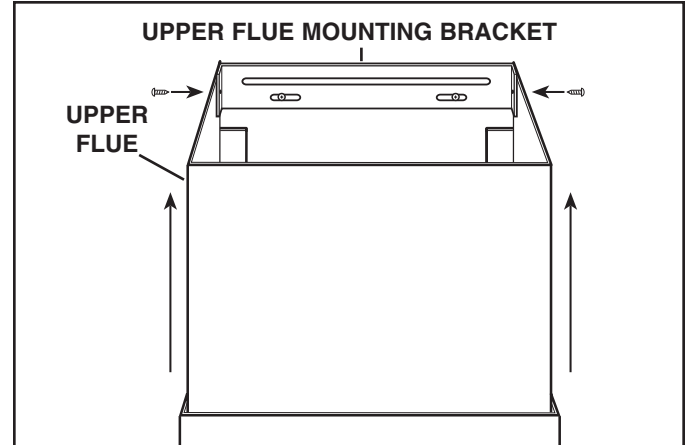


10. Measure and install 6" round steel ductwork to roof cap or wall cap and 90° elbow over duct collar on hood. Use duct tape to make all joints secure and air tight.
11. Plug hood power cord into the outlet.



**NOTE: 10-ft. ceilings require 10-ft. Flue Extension Model FXN53SS (purchase separately). Discard the upper flue supplied with your hood and replace it with the Model FXN53SS flue extension.**

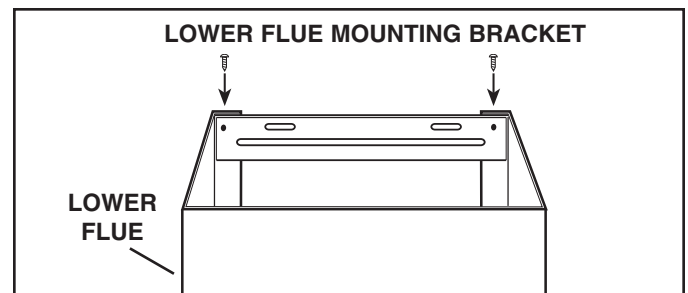
12. Remove the upper flue from inside the lower flue. Install the lower flue bracket to the lower flue using (2) flue bracket screws #8 x 3/8", make sure that the slots are at the top. Remove protective plastic film covering the lower flue only. Carefully replace the upper flue inside the lower flue.
13. Carefully place both flues into the recessed area of hood top. Make sure tabs on the lower flue are pointing down and engage with the slots on the top of the hood.



14. Slide the upper flue upward until it is aligned with its upper mounting bracket. The bracket should be inside the flue. Secure the upper flue to the upper flue mounting bracket using (2) #8 x 3/8" mounting screws.
15. Remove any protective plastic remaining on hood.

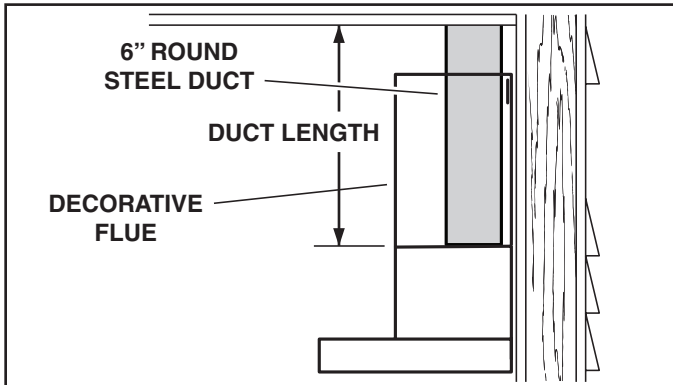
## INSTALL THE HOOD (Vertically Ducted Hoods Only)

1. DO NOT REMOVE the protective plastic film covering the decorative flue and the hood at this time.
2. Lay the back side of the hood flat on a table. Use a piece of cardboard to avoid damaging the table or the hood.
3. Attach damper / duct connector to top of hood using (4) #8 x 3/8" Pan Head mounting screws.
4. Remove the grease filters by pushing back the metal latch tab and tilting filters downward to remove.
5. Carefully rotate hood upright.

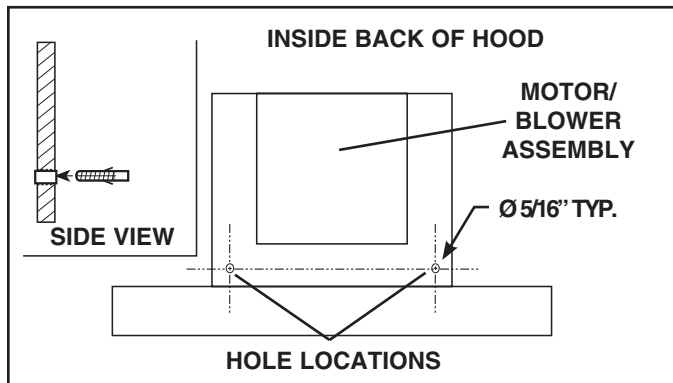


**NOTE: 10-ft. ceilings require 10-ft. Flue Extension Model FXN53SS (purchase separately). Discard the upper flue supplied with your hood and replace it with the Model FXN53SS flue extension.**

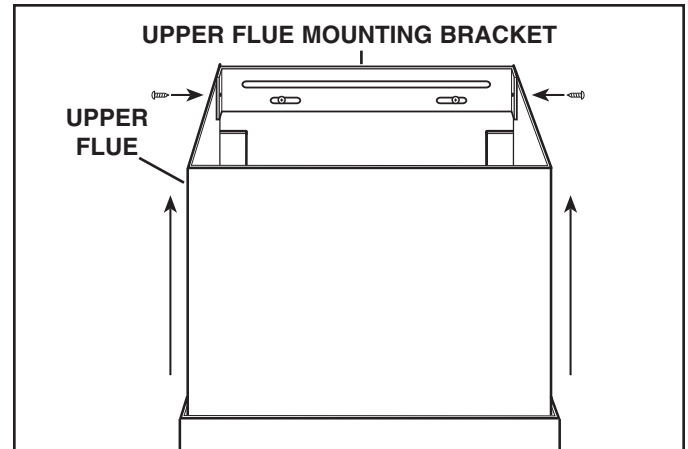
6. Remove the upper flue from inside the lower flue. Install the lower flue bracket to the lower flue using (2) flue bracket screws #8 x 3/8", make sure that the slots are at the top. Remove protective plastic film covering both flues. Carefully replace the upper flue inside the lower flue.
7. Carefully place both flues into the recessed area of hood top. Make sure tabs on the lower flue are pointing down and engage with the slots on the top of the hood.



8. Measure and install steel ductwork to hood duct connector. Use duct tape to make all joints secure and air tight.
9. Hold hood up close to wall mounting location and plug power cord into wall outlet.
10. Align the hood and center it above the hood mounting bracket. Make sure ductwork on hood lines up and attaches to ductwork in ceiling. Gently lower the hood until it securely engages the bracket.
11. Use duct tape to make all joints secure and air tight.



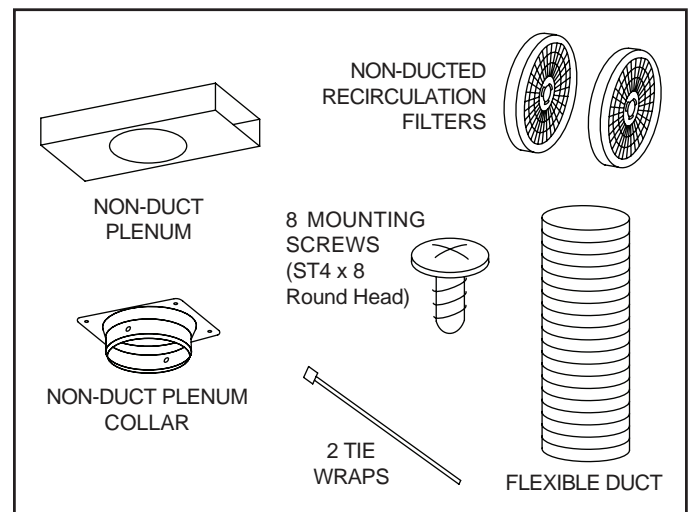
12. With the hood hanging in place, drill through both holes located in the inside lower back of hood using a  $\frac{5}{16}$ " drill bit. Insert the included drywall anchors into the drilled holes (one for each hole). Install (2) washers and (2) #8 x 1-3/16" pan head mounting screws through the hood back and into the drywall anchors. Verify that the hood is centered and leveled. Tighten all screws completely.
13. Reinstall grease filters by aligning rear filter tabs with slots in the hood. Push back the metal latch tab, push filter into position and release. Make sure filters are securely engaged after installation.



14. Slide the upper flue upward until it is aligned with its mounting bracket. The bracket should be inside the flue. Secure the upper flue to the upper flue mounting bracket using (2) #8 x 3/8" mounting screws.
15. Remove any protective plastic remaining on hood.

## INSTALL THE HOOD (Non-Ducted Hoods Only)

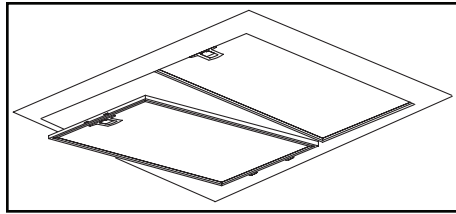
### NON-DUCT KIT MODEL RK56 CONTENTS



**NOTE: Non-ducted installations require Non-Duct Kit, Model RK56 (purchase separately).**

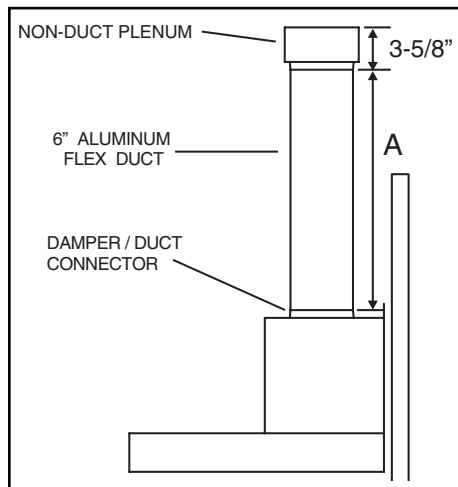
1. CAUTION: Do not use plastic or rigid metal duct.
2. Do not remove the protective plastic film covering the decorative flue and the hood at this time.
3. Lay the back side of the hood flat on a table. Use a piece of cardboard to avoid damaging the table or the hood.
4. Attach damper / duct connector to top of hood using (4) #8 x 3/8" Pan Head mounting screws.
5. Remove damper flaps from damper / duct connector and discard flaps.

6. Remove the grease filters by pushing back the metal latch tab and tilting filters downward to remove.

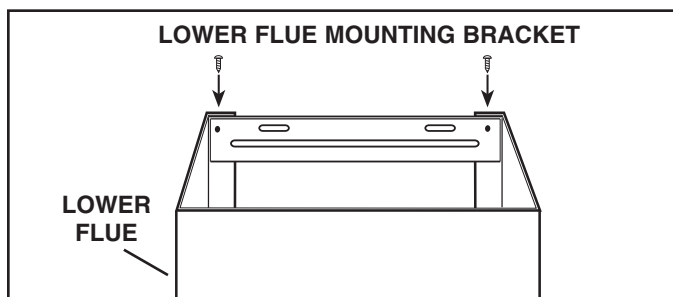


7. Attach non-duct collar to non-duct plenum using (4) ST4 x 8 round head screws.  
8. Measure distance "A". This will be the length of the extended flex duct.

9. Attach aluminum flexible duct to the damper / duct connector with a tie wrap.  
10. Attach flexible duct to non-duct plenum collar and secure with tie wrap. Tape all joints with duct tape.

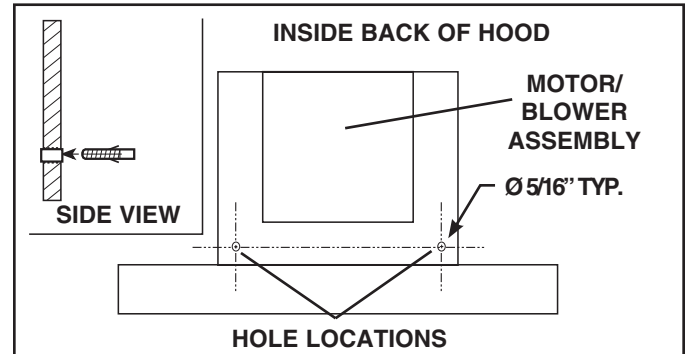


**NOTE: 10-ft. ceilings require 10-ft. Flue Extension Model FXN53SS (purchase separately). Discard the upper flue supplied with your hood and replace it with the Model FXN53SS flue extension.**



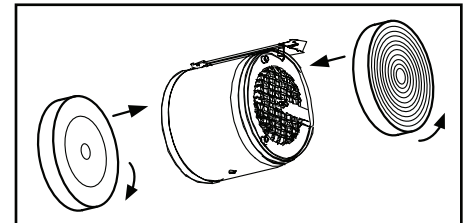
11. Remove the upper flue from inside the lower flue. Install the lower flue bracket to the lower flue using (2) flue bracket screws #8 x 3/8", make sure that the slots are at the top. Remove protective plastic film covering both flues. Carefully replace the upper flue inside the lower flue.  
12. Carefully place both flues into the recessed area of hood top. Make sure tabs on the lower flue are pointing down and engage with the slots on the top of the hood.  
13. Attach non-duct plenum with collar to upper flue using (4) ST4 x 8 round head screws.

14. Hold hood up close to wall mounting location and plug power cord into wall outlet.  
15. Align the hood and center it above the hood mounting bracket. Gently lower the hood until it securely engages the bracket.



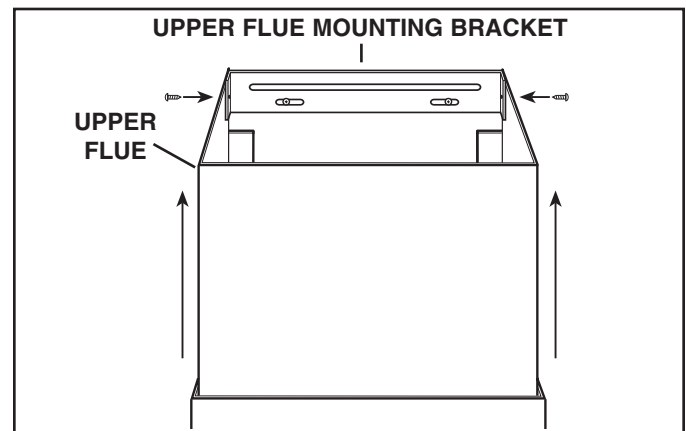
16. With the hood hanging in place, drill through both holes located in the inside lower back of hood using a 5/16" drill bit. Insert the included drywall anchors into the drilled holes (one for each hole). Install (2) washers and (2) #8 x 1-3/8" pan head mounting screws through the back of the hood and into the drywall anchors. Verify that the hood is centered and leveled. Tighten all screws completely.

17. Attach (2) two non-duct recirculation filters to sides of blower by aligning key lock slot and rotating until filters lock into place.



For replacement non-duct recirculation filters - purchase S97018030 or ROUNDFILTER.

18. Reinstall grease filters by aligning rear filter tabs with slots in the hood. Push back the metal latch tab, push filter into position and release. Make sure filters are securely engaged after installation.



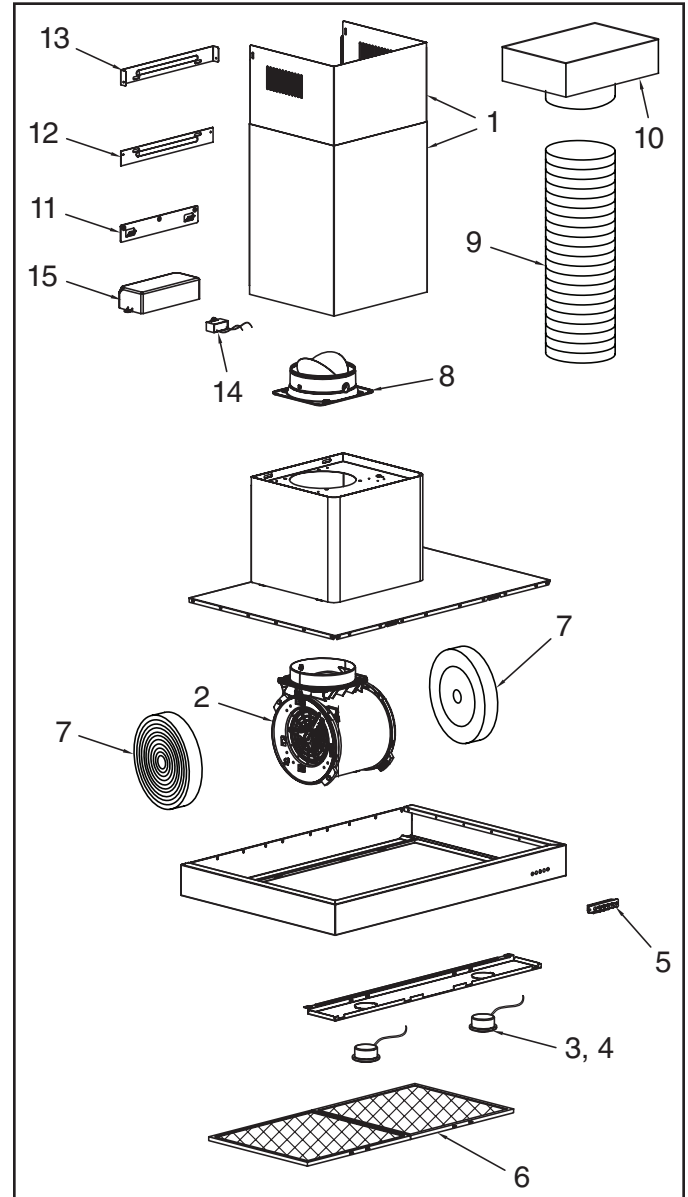
19. Slide the upper flue upward until it is aligned with its mounting bracket. The bracket should be inside the flue. Secure the upper flue to the upper flue mounting bracket using (2) #8 x 3/8" mounting screws.  
20. Remove any protective plastic remaining on hood.



## SERVICE PARTS

KEY	PART NO.	DESCRIPTION	QTY.
1	S99528454	Decorative Upper and Lower Flues	1
2	S99526974	Motor / Blower Assembly	1
3	S99526975	Light Socket Assembly	2
4	S99527010	Light Trim Ring / Lens Assembly	2
5	S99526976	Push Button Assembly	1
6	S97018027	Aluminum Grease Filters (2 per hood) B5330SS	1
	S97018028	Aluminum Grease Filters (3 per hood) B5336SS	1
7	S97018030	Non-Duct Recirculation Filters (pair)	1
8	S99526983	Damper / Duct Connector	1
9	S99526984	6" Dia. Expandable Flexible Aluminum Duct	1
10	S99526985	Non-Duct Plenum Assembly	1
11	S99526987	Hood Mounting Bracket	1
12	S99526989	Lower Flue Mounting Bracket	1
13	S99526991	Upper Flue Mounting Bracket	1
14	S99527012	Capacitor	1
15	S99527013	Plastic Cover	1
	S99527011	Transformer (not shown)	1
	S99528455	Parts Bag (not shown)	1

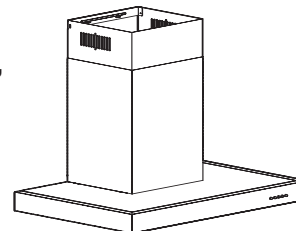
Order service parts by Part No. - not by Key No.



Replacement parts can be ordered on our website:  
[www.broan.com](http://www.broan.com)

# HOTTE DE CUISINE À CHEMINÉE

Pour enregistrer ce produit,  
visitez : [www.broan.com](http://www.broan.com)



## LIRE CES DIRECTIVES ET LES CONSERVER

**⚠ POUR USAGE DOMESTIQUE SEULEMENT. ⚠**

### ⚠ AVERTISSEMENT

**AFIN DE RÉDUIRE LES RISQUES D'INCENDIE, DE CHOC ÉLECTRIQUE OU DE BLESSURES CORPORELLES, VEUILLEZ OBSERVER LES DIRECTIVES SUIVANTES :**

1. N'utilisez cet appareil que de la manière prévue par le fabricant. Si vous avez des questions, communiquez avec le fabricant à l'adresse ou au numéro de téléphone indiqués dans la garantie.
2. Avant de procéder à l'entretien ou au nettoyage de l'appareil, coupez l'alimentation du panneau électrique et verrouillez l'interrupteur principal afin d'empêcher que le courant ne soit accidentellement rétabli. S'il est impossible de verrouiller l'interrupteur principal, fixez solidement un message d'avertissement, par exemple une étiquette, sur le panneau électrique.
3. L'installation et les branchements électriques doivent être effectués par un personnel compétent, conformément aux normes et aux codes en vigueur, y compris les normes et les codes du bâtiment relatifs à la résistance au feu.
4. Pour éviter les refoulements, l'apport d'air doit être suffisant pour brûler les gaz produits par les appareils à combustion et les évacuer dans le conduit de fumée (cheminée). Respectez les directives du fabricant de l'appareil de chauffage et les normes de sécurité, notamment celles publiées par la National Fire Protection Association (NFPA), l'American Society for Heating, Refrigeration and Air Conditioning Engineers (ASHRAE) et les codes des autorités locales.
5. Ce produit peut comporter des arêtes tranchantes. Prenez garde aux coupures et aux éraflures lors de l'installation et du nettoyage.
6. Veillez à ne pas endommager le câblage électrique ou d'autres équipements non apparents lors de la découpe ou du perçage du mur ou du plafond.
7. Les ventilateurs canalisés doivent toujours rejeter l'air à l'extérieur.
8. N'utilisez pas de commande de régime à semi-conducteurs avec cet appareil.
9. Pour réduire les risques d'incendie, utilisez seulement des conduits en acier.
10. Cet appareil doit être relié à une mise à la terre.

### **POUR RÉDUIRE LES RISQUES D'INCENDIE CAUSÉS PAR DE LA GRAISSE SUR LE PLAN DE CUISSON :**

- a) Ne laissez jamais les éléments de surface allumés à haute température. Les débordements peuvent causer de la fumée et occasionner des écoulements de graisse inflammables. L'huile doit être chauffée graduellement à basse ou à moyenne température.
- b) Mettez toujours la hotte en MARCHE lors de la cuisson à feu vif ou lors de la cuisson d'aliments à flamber (par ex., crêpes Suzette, cerises jubilé, bœuf au poivre flambé).
- c) Nettoyez souvent la hotte. Ne laissez pas la graisse s'accumuler sur le ventilateur ou les filtres.
- d) Utilisez des casseroles de dimension appropriée. Utilisez toujours une batterie de cuisine adaptée à la dimension de la surface chauffante.

### ⚠ AVERTISSEMENT

**OBSERVEZ LES CONSIGNES SUIVANTES AFIN DE RÉDUIRE LES RISQUES DE BLESSURES CORPORELLES EN CAS D'INCENDIE CAUSÉ PAR DE LA GRAISSE SUR LE PLAN DE CUISSON\* :**

1. ÉTOUFFEZ LES FLAMMES à l'aide d'un couvercle étanche, d'une tôle à biscuits ou d'un plateau en métal puis éteignez le brûleur. FAITES ATTENTION DE NE PAS VOUS BRÛLER. SI LES FLAMMES NE S'ÉTEignent PAS IMMÉDIATEMENT, QUITTEZ LES LIEUX ET APPELEZ LE SERVICE DES INCENDIES.
2. NE SOULEVEZ JAMAIS UNE CASSEROLE EN FLAMMES – vous pourriez vous brûler.
3. N'UTILISEZ PAS D'EAU, ni de linges ou de serviettes mouillés – une violente explosion de vapeur pourrait survenir.
4. Utilisez un extincteur SEULEMENT si :
  - A. Vous savez qu'il est de classe ABC et vous connaissez déjà son mode de fonctionnement.
  - B. L'incendie n'est pas très important et ne se propage pas.
  - C. Vous avez déjà téléphoné au service des incendies.
  - D. Vous pouvez combattre l'incendie en faisant dos à une sortie.

\* Conseils tirés de la publication de la NFPA « Kitchen Fire Safety Tips ».

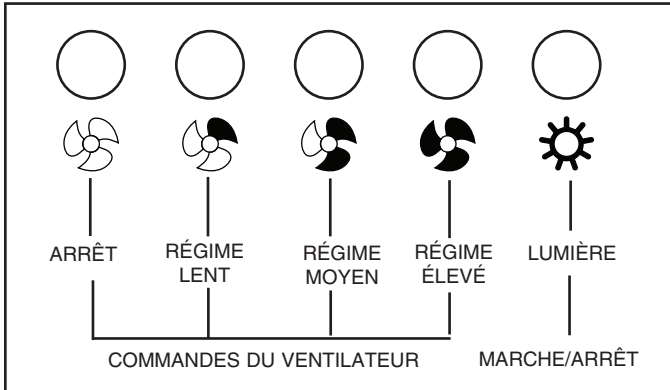
### ATTENTION

1. Pour une utilisation en intérieur seulement.
2. Cet appareil ne doit servir qu'à la ventilation générale. Ne pas l'utiliser pour l'évacuation de matières ou de vapeurs dangereuses ou explosives.
3. Pour ne pas endommager les roulements du moteur, déséquilibrer les pales ou les rendre bruyantes, protégez l'appareil de la poussière de plâtre, de construction, etc.
4. Ne pas utiliser cette hotte au-dessus d'un appareil de cuisson dépassant 60 000 BTU/heure car le moteur du ventilateur s'arrêtera par intermittence.
5. Le moteur de la hotte est muni d'un dispositif de protection de surcharge électrique qui coupe automatiquement le moteur en cas de surchauffe. Il se remet en marche lorsqu'il a refroidi. Faites réparer la hotte si le moteur continue à fonctionner par intermittence.
6. Une hauteur maximale de 91,4 cm (36 po) au-dessus de la table de cuisson est recommandé pour une meilleure évacuation des odeurs de cuisson. Le fond de la hotte DOIT ÊTRE AU MINIMUM à 76 cm (30 po) au-dessus de la table de cuisson.
7. Il est recommandé que les installateurs soient deux, compte tenu de la taille de cette hotte.
8. Pour réduire les risques d'incendie et évacuer l'air correctement, assurez-vous qu'il est canalisé à l'extérieur. Ne pas évacuer l'air dans des espaces enfermés par des murs ou un plafond ou dans un grenier, un vide sanitaire ou un garage.
9. Prenez garde en installant la cheminée décorative et la hotte, car elles peuvent comporter des bords tranchants.
10. Veuillez lire l'étiquette de spécifications du produit pour obtenir plus de renseignements, notamment sur les exigences.

**INSTALLATEUR : VEUILLEZ REMETTRE CE GUIDE AU PROPRIÉTAIRE.**

**PROPRIÉTAIRE : DIRECTIVES DE NETTOYAGE, D'ENTRETIEN ET D'UTILISATION À LA PAGE 11.**

## FONCTIONNEMENT



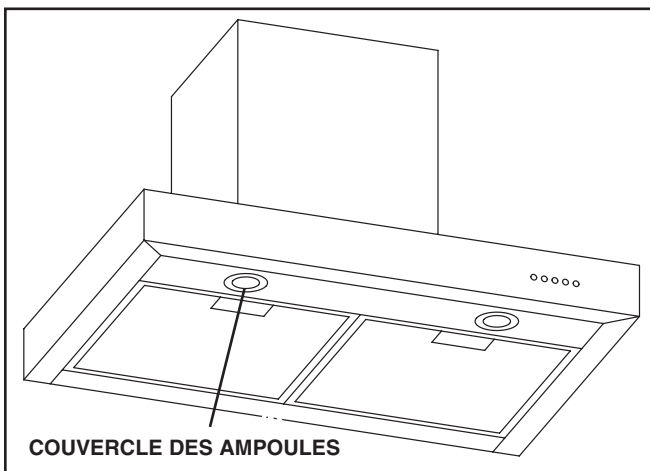
La hotte fonctionne à l'aide de quatre (4) boutons-poussoirs situés sur la face avant.

Allumez et éteignez la lumière à l'aide du bouton d'éclairage.

Actionnez le ventilateur à l'aide des boutons de régime lent, moyen ou élevé.

Appuyez sur le bouton OFF pour arrêter le ventilateur.

## AMPOULES



### ⚠ AVERTISSEMENT

**Les ampoules peuvent être très chaudes. Laissez toujours les ampoules refroidir avant de les enlever.**

Cette hotte requiert deux ampoules halogènes (type JC, 12 volts, 20 watts max., base G4 - inclus).

Pour remplacer les ampoules :

1. Enlevez le couvercle des ampoules en le poussant délicatement vers le haut et en le tournant dans le sens antihoraire.
2. Remplacez la ou les ampoules.
3. Replacez le couvercle en le poussant délicatement vers le haut et en le tournant dans le sens horaire.

## NETTOYAGE ET ENTRETIEN

Un entretien adéquat de la hotte assurera son bon fonctionnement.

### MOTEUR

Le moteur est lubrifié en permanence et n'a pas besoin d'être huilé. Si les roulements du moteur sont anormalement bruyants, remplacez le moteur exactement par le même modèle. La roue à ailettes doit aussi être remplacée.

### FILTRE À GRAISSES

Le filtre à graisses doit être nettoyé fréquemment. Utilisez une solution tiède de détergent. Le filtre à graisses est lavable au lave-vaisselle.

Nettoyez les filtres entièrement métalliques au lave-vaisselle avec un détergent sans phosphate. Une décoloration du filtre peut se produire si des détergents phosphatés sont utilisés et selon les conditions locales de l'eau, sans toutefois affecter le rendement du filtre. Cette décoloration n'est pas couverte par la garantie.

Enlevez le filtre à graisse en repoussant la languette métallique de retenue. Le filtre se dégagera de la hotte. Inclinez le filtre vers le bas et enlevez-le.

### FILTRES DE RECIRCULATION POUR INSTALLATION SANS CONDUIT

Dans une installation sans conduit, les filtres de recirculation doit être remplacé tous les trois à six mois. Remplacez-les plus souvent si le type de cuisine produit plus de graisses, telle que la friture et la cuisson au wok.

Tournez les filtres pour les dégager du ventilateur et les remplacer.

### NETTOYAGE DE L'ACIER INOXYDABLE

#### À FAIRE :

- Régulièrement, nettoyez toutes les surfaces avec un chiffon propre imbibé d'eau tiède et de savon doux ou de liquide à vaisselle.
- Nettoyez toujours dans le sens des lignes du poli original.
- Rincez toujours à l'eau propre (2 ou 3 fois) après le nettoyage. Séchez complètement en essuyant.
- Vous pouvez également utiliser un nettoyant spécial pour acier inoxydable.

#### À NE PAS FAIRE :

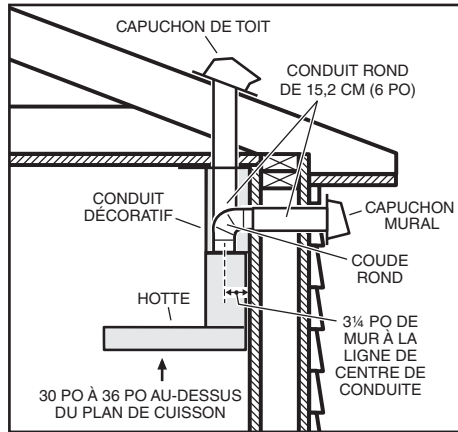
- N'utilisez pas de laine d'acier ordinaire ni de laine d'acier inoxydable ou tout genre de grattoir pour déloger la saleté.
- N'utilisez aucun nettoyant puissant ou abrasif.
- Ne laissez pas la saleté s'accumuler.
- Protégez la hotte de la poussière de plâtre ou de tout autre résidu de construction. Pendant des travaux de construction ou de rénovation, couvrez la hotte pour empêcher la poussière de toucher aux surfaces d'acier inoxydable.

#### À éviter : Lors du choix d'un détergent

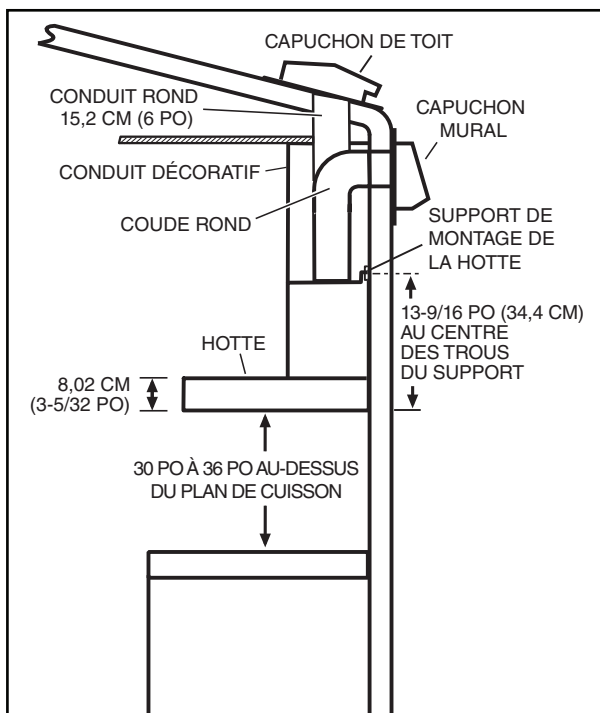
- Tout nettoyant contenant de l'eau de javel attaquera l'acier inoxydable.
- Tout produit contenant : du chlore, du fluor, de l'iode ou du brome détériorera rapidement les surfaces.
- Tout produit combustible utilisé pour le nettoyage comme l'acétone, l'alcool, l'éther, le benzol, etc., est hautement explosif et ne doit jamais être utilisé à proximité d'une hotte.

## INSTALLATION DES CONDUITS (hottes avec conduits seulement)

1. Planifiez la pose du conduit en déterminant son tracé entre la hotte et l'extérieur de la maison.
2. Un tracé droit et court permet à la hotte d'être plus efficace.
3. Des conduits longs, des coudes et des transitions réduisent l'efficacité de la hotte. N'en utilisez que le moins possible. Pour plus d'efficacité, des conduits plus gros peuvent être nécessaires si le parcours est trop long.
4. Installez le capuchon mural ou de toit. Connectez un conduit rond en métal au chapeau en progressant vers la hotte. Scellez les joints avec du ruban à conduit à chaque section.



## MESURES DE L'INSTALLATION



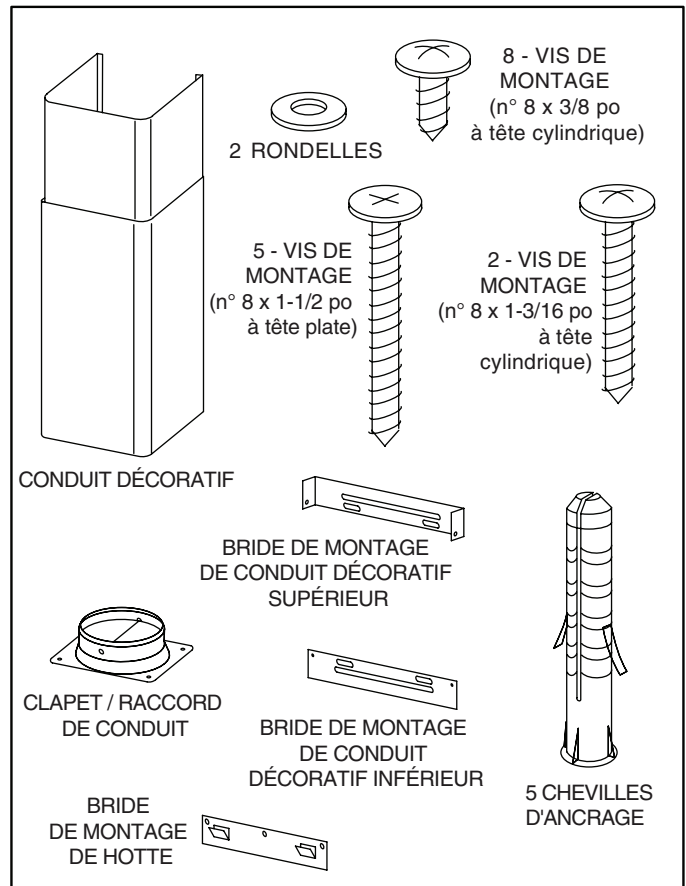
Un maximum de 91,4 cm (36 po) est également recommandé pour mieux capter les vapeurs de cuisson. La distance minimale de la hotte au-dessus de la surface de cuisson NE DOIT PAS ÊTRE INFÉRIEURE à 76 cm (30 po).

Une distance de plus de 91,4 cm (36 po) est laissée à la discrétion de l'installateur et des utilisateurs si la hauteur du plafond le permet.

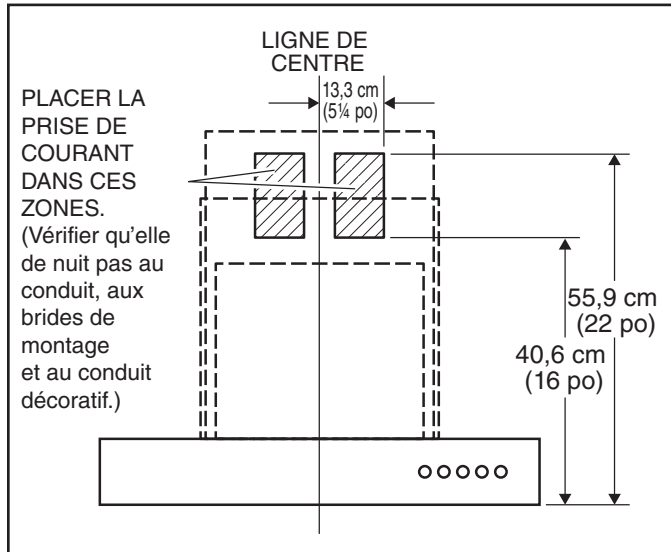
## PRÉPARATION DE LA HOTTE

Déballer la hotte et vérifier le contenu de la boîte. Celle-ci doit contenir les éléments suivants :

- 1 - Hotte
- 1 - Conduit décoratif de cheminée
- 1 - Clapet / raccord de conduit
- 1 - Bride de montage de conduit décoratif inférieur
- 1 - Bride de montage de conduit décoratif supérieur
- 1 - Support de hotte
- 2 - Filtres à graisse en aluminium (installés dans la hotte)
- 1 - Sac de pièces contenant :
  - 8 - Vis de montage (n° 8 x 3/8 po à tête cylindrique)
  - 5 - Vis de montage (n° 8 x 1-1/2 po à tête plate)
  - 2 - Vis de montage (n° 8 x 1-3/16 po à tête cylindrique)
  - 5 - Chevilles d'ancrage pour cloisons sèches
  - 2 - Rondelles
- 1 - Manuel d'installation



## INSTALLATION DU CÂBLAGE



### 1. INSTRUCTIONS DE MISE À LA TERRE

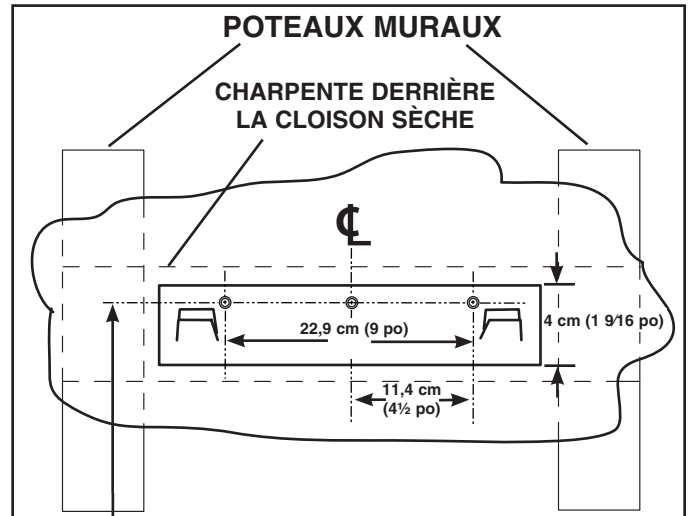
Cet appareil doit être correctement mis à la terre. Dans l'éventualité d'un court-circuit, la mise à la terre réduit les risques de choc électrique en permettant au courant de s'échapper dans un fil. Cette appareil comporte un cordon électrique muni d'un fil et d'une fiche de mise à la terre. Cette fiche doit être branchée dans une prise de courant correctement installée et mise à la terre.

#### REMARQUE :

**Une prise encastrée pour « horloge » est recommandée.**

2. Placez la prise de courant dans l'espace recouvert par le conduit décoratif de cheminée et à un endroit où elle ne nuira pas au passage du conduit rond. Elle ne doit pas être à plus de 35,6 cm (14 po) du point où le cordon sort de la hotte et ne pas empiéter sur la zone de fixation d'un support de montage et de l'endroit où le conduit décoratif touche au mur.

## INSTALLATION DE LA BRIDE DE MONTAGE DE LA HOTTE



**110,6 cm (43-9/16 po) = bas de la hotte à 76 cm (30 po) au-dessus de la surface de cuisson**  
**125,9 cm (49-9/16 po) = bas de la hotte à 91,4 cm (36 po) au-dessus de la surface de cuisson**

- Construisez une charpente de bois qui affleure la surface intérieure des montants du mur.  
Prenez soin :
  - de centrer cette charpente avec l'emplacement d'installation.
  - de donner une hauteur suffisante à la charpente afin de pouvoir y fixer solidement la bride de montage selon les mesures indiquées.
- Une fois la surface du mur finie, centrez la bride de montage bien de niveau et fixez-la à la charpente à l'aide de trois (3) vis n° 8 x 1 1/2 po. Serrez complètement les vis.

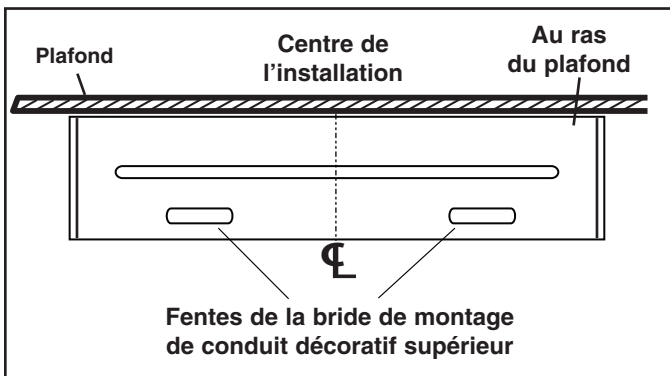
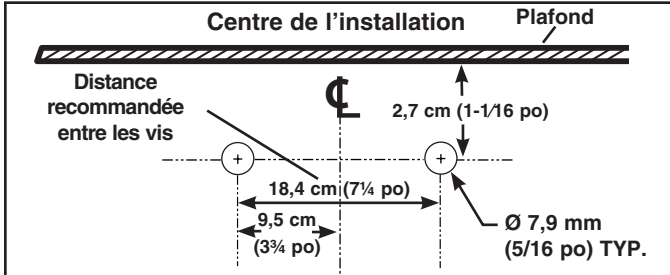
Distance voulue de la hotte au-dessus d'une surface de cuisson à 91,4 cm (36 po) (voir remarque 1)

		76,2 cm (30 po)	78,7 cm (31 po)	81,3 cm (32 po)	83,8 cm (33 po)	86,4 cm (34 po)	88,9 cm (35 po)	91,4 cm (36 po)
Hauteur du plafond	Méthode de canalisation	Emplacement des trous de la bride de montage au-dessus d'une surface de cuisson à 91,4 cm (36 po)						
244 cm (8 pi)	Avec conduits	110,6 cm (43-9/16 po)	113,2 cm (44-9/16 po)	115,7 cm (45-9/16 po)	118,3 cm (46-9/16 po)	120,8 cm (47-9/16 po)	123,3 cm (48-9/16 po)	125,9 cm (49-9/16 po)
	Sans conduits	110,6 cm (43-9/16 po)	113,2 cm (44-9/16 po)	115,7 cm (45-9/16 po)				
274 cm (9 pi)	Avec conduits	110,6 cm (43-9/16 po)	113,2 cm (44-9/16 po)	115,7 cm (45-9/16 po)	118,3 cm (46-9/16 po)	120,8 cm (47-9/16 po)	123,3 cm (48-9/16 po)	125,9 cm (49-9/16 po)
	Sans conduits	110,6 cm (43-9/16 po)	113,2 cm (44-9/16 po)	115,7 cm (45-9/16 po)	118,3 cm (46-9/16 po)	120,8 cm (47-9/16 po)	123,3 cm (48-9/16 po)	125,9 cm (49-9/16 po)
305 cm (10 pi) (voir remarque 2)	Avec conduits	110,6 cm (43-9/16 po)	113,2 cm (44-9/16 po)	115,7 cm (45-9/16 po)	118,3 cm (46-9/16 po)	120,8 cm (47-9/16 po)	123,3 cm (48-9/16 po)	125,9 cm (49-9/16 po)
	Sans conduits	110,6 cm (43-9/16 po)	113,2 cm (44-9/16 po)	115,7 cm (45-9/16 po)	118,3 cm (46-9/16 po)	120,8 cm (47-9/16 po)	123,3 cm (48-9/16 po)	125,9 cm (49-9/16 po)

### Remarques :

- La distance minimale de la hotte au-dessus de la surface de cuisson ne doit pas être inférieure à 76.2 cm (30 po). Un maximum de 91,4 cm (36 po) est également fortement recommandé pour mieux capter les vapeurs de cuisson. Les distances de plus de 91,4 cm (36 po) sont laissées à la discrétion de l'installateur et de l'utilisateur si la hauteur du plafond et la longueur du conduit décoratif le permettent.
- Exige la rallonge de conduit décoratif de 305 cm (10 pi) - numéro de modèle FXN53SS.

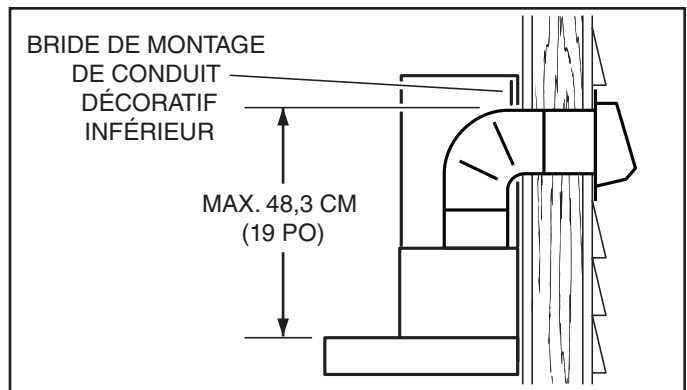
## INSTALLATION DE LA BRIDE DE MONTAGE DE CONDUIT DÉCORATIF SUPÉRIEUR



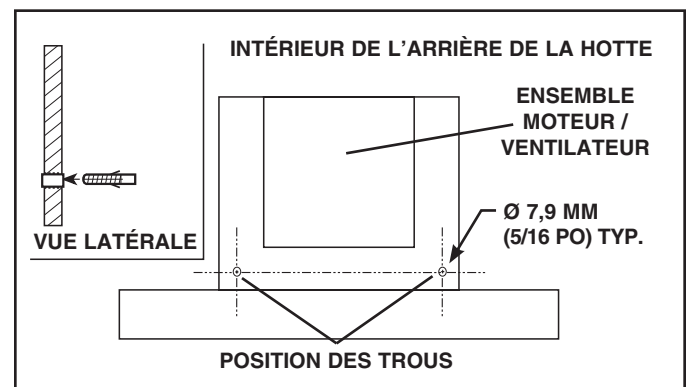
1. Percez deux trous de 7,9 mm (5/16 po) de diamètre aux endroits illustrés. Insérez les chevilles d'ancrage dans les trous.
2. Centrez la bride à l'emplacement de la hotte au ras avec le plafond. Assurez-vous que les fentes de la bride supérieure sont en bas. Fixez la bride supérieure au mur avec deux (2) vis de n° 8 x 1 1/2 po.
3. Serrez complètement les vis. Assurez-vous que la bride est fermement appuyée contre le mur.

## INSTALLATION DE LA HOTTE (hotte à conduits horizontaux seulement)

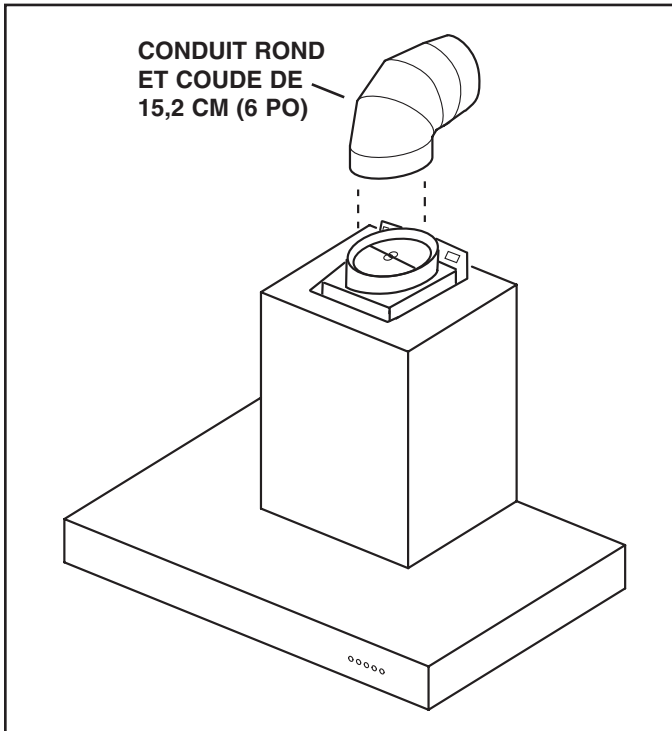
1. N'ENLEVEZ PAS À CETTE ÉTAPE la pellicule protectrice en plastique recouvrant la hotte et le conduit décoratif de cheminée.
2. Placez la hotte sur une table, sur le dos. Utilisez un carton pour éviter d'endommager la table ou la hotte.
3. Fixez le clapet / raccord de conduit au sommet du boîtier de la hotte à l'aide de (4) vis n° 8 x 3/8 po à tête cylindrique.
4. Enlevez les filtres à graisse en repoussant la languette métallique et en basculant les filtres vers le bas.
5. Avec précaution, tournez la hotte à la verticale.



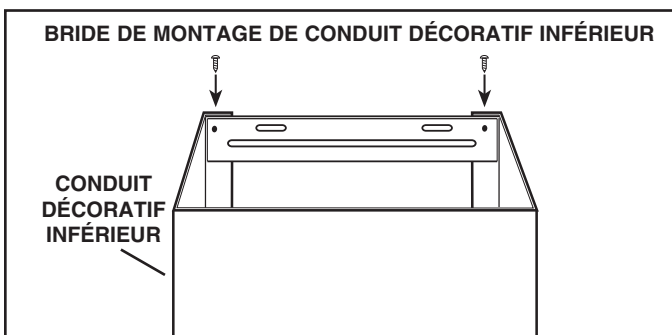
6. Assurez-vous qu'il y a suffisamment d'espace entre le haut de hotte et la bride de montage inférieure pour laisser passer le conduit. Le coude doit être situé en dessous de la bride de montage inférieure.
7. Alignez la hotte et centrez-la au-dessus de sa bride de montage. Abaissez doucement la hotte jusqu'à ce qu'elle s'engage solidement dans la bride.



8. La hotte étant suspendue en place, percez à travers les deux trous situés à l'intérieur de l'arrière du boîtier de la hotte à l'aide d'une mèche de 7,9 mm (5/16 po). Insérez les chevilles d'ancrage dans les trous percés (une dans chaque trou). Installez (2) rondelles et (2) vis de montage n° 8 x 1-3/16 po à tête cylindrique à travers l'arrière de la hotte et dans les chevilles d'ancrage. Vérifiez que la hotte est centrée et de niveau. Serrez complètement les vis.
9. Pour remettre les filtres à graisse, alignez les ergots arrière des filtres dans les fentes de la hotte. Repoussez la languette métallique, poussez les filtres en place et relâchez. Vérifiez si les filtres sont bien fixés une fois replacés.

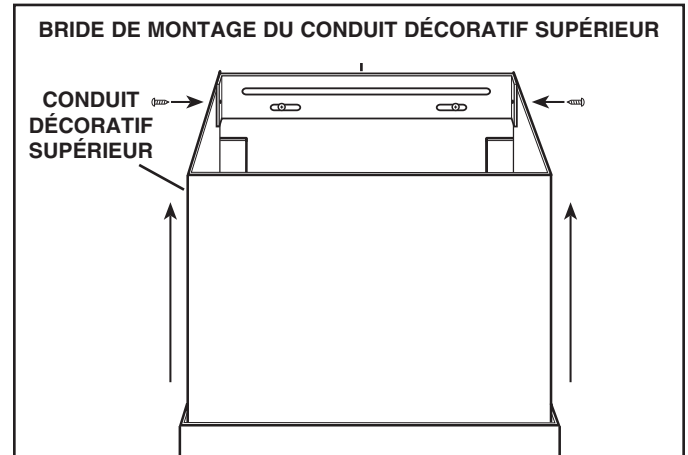


- Mesurez et installez un conduit rond de 15,2 cm (6 po) jusqu'au capuchon de toit ou capuchon mural et un coude de 90° sur le raccord de conduit de la hotte. Utilisez du ruban pour conduit afin de fixer solidement tous les joints et les étancher.
- Branchez le cordon électrique de la hotte dans la prise.



**REMARQUE :** Les plafonds de 3 m (10 pi) exigent la Rallonge de conduit décoratif pour plafonds de 3 m (10 pi), modèle FXN53SS, pour les installations avec ou sans conduits (vendue séparément). Jetez le conduit décoratif supérieur fourni avec votre hotte et remplacez-le par la rallonge de conduit décoratif, modèle FXN53SS.

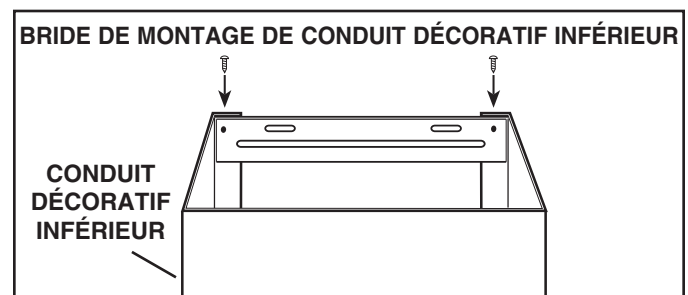
- Enlevez la section supérieure de conduit décoratif qui se trouve à l'intérieur du conduit inférieur. Fixez la bride sur le conduit décoratif inférieur à l'aide de (2) vis n° 8 x 3/8 po. Assurez-vous que les fentes sont en haut. Remplacez soigneusement le conduit décoratif supérieur à l'intérieur des deux conduits. Glissez soigneusement le conduit décoratif supérieur à l'intérieur du conduit décoratif inférieur.
- Placez soigneusement les conduits décoratifs dans l'espace au-dessus de la hotte. Assurez-vous que les onglets du conduit décoratif inférieur pointent vers le bas et s'engagent dans les fentes du dessus de la hotte.



- Glissez le conduit décoratif supérieur vers le haut jusqu'à ce qu'il soit aligné avec sa bride de montage supérieure. La bride doit être à l'intérieur du conduit décoratif. Fixez le conduit supérieur à la bride supérieure avec deux (2) vis de n° 8 x 3/8 po.
- Enlevez le reste de pellicule protectrice en plastique de la hotte.

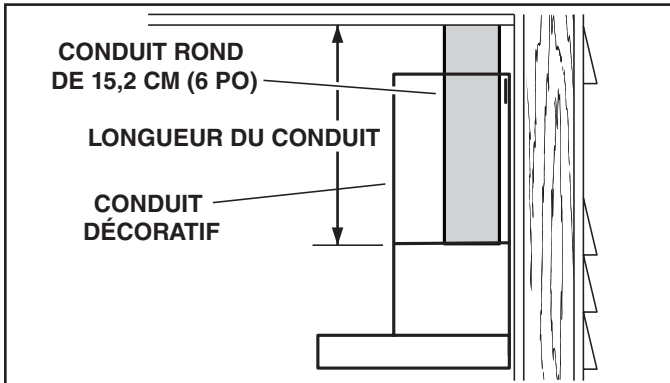
## INSTALLATION DE LA HOTTE (hotte à conduits verticaux seulement)

- N'ENLEVEZ PAS À CETTE ÉTAPE la pellicule protectrice en plastique recouvrant la hotte et le conduit décoratif de cheminée.
- Placez la hotte sur une table, sur le dos. Utilisez un carton pour éviter d'endommager la table ou la hotte.
- Fixez le clapet / raccord de conduit au sommet du boîtier de la hotte à l'aide de (4) vis n° 8 x 3/8 po à tête cylindrique.
- Enlevez les filtres à graisse en repoussant la languette métallique et en basculant les filtres vers le bas.
- Avec précaution, tournez la hotte à la verticale.

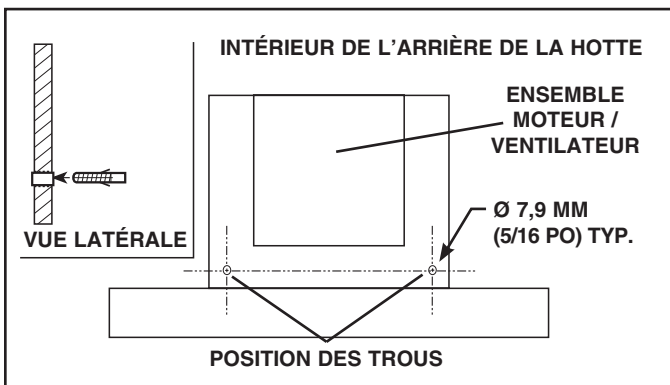


**REMARQUE :** Les plafonds de 3 m (10 pi) exigent la Rallonge de conduit décoratif pour plafonds de 3 m (10 pi), modèle FXN53SS (vendue séparément). Jetez le conduit décoratif supérieur fourni avec votre hotte et remplacez-le par la rallonge de conduit décoratif, modèle FXN53SS.

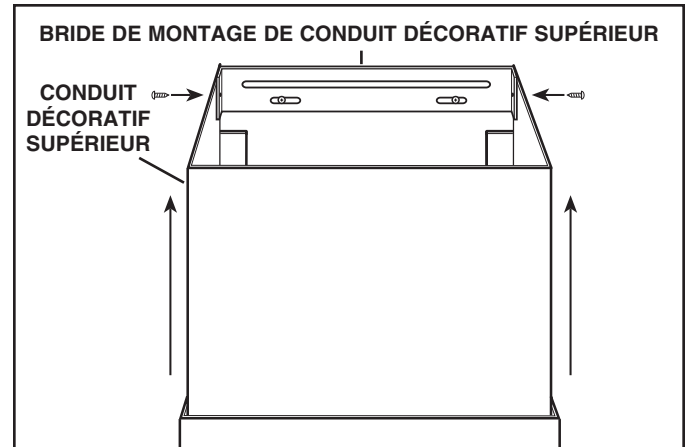
- Enlevez la section supérieure de conduit décoratif qui se trouve à l'intérieur du conduit inférieur. Fixez la bride sur le conduit décoratif inférieur à l'aide de (2) vis n° 8 x 3/8 po en vous assurant que les fentes sont en haut. Enlevez la pellicule protectrice en plastique recouvrant les deux conduits décoratifs. Glissez soigneusement le conduit décoratif supérieur à l'intérieur du conduit décoratif inférieur.
- Placez soigneusement les conduits décoratifs dans l'espace au-dessus de la hotte. Assurez-vous que les onglets du conduit décoratif inférieur pointent vers le bas et s'engagent dans les fentes du dessus de la hotte.



8. Mesurez et fixez le conduit en acier sur le raccord de la hotte. Utilisez du ruban pour conduit afin de fixer solidement tous les joints et les étancher.
9. Soulevez la hotte, maintenez-la près de son emplacement et branchez son cordon électrique dans la prise.
10. Alignez la hotte et centrez-la au-dessus de sa bride de montage. Assurez-vous qu'elle est alignée avec le conduit du plafond et fixez celui-ci. Abaissez doucement la hotte jusqu'à ce qu'elle s'engage solidement dans la bride.
11. Utilisez du ruban pour conduit afin de fixer solidement tous les joints et les étancher.



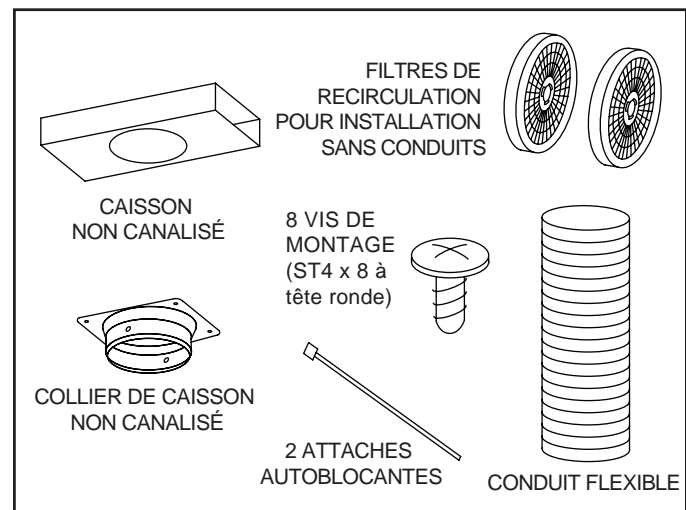
12. La hotte étant suspendue en place, percez à travers les deux trous situés à l'intérieur de l'arrière du boîtier de la hotte à l'aide d'une mèche de 7,9 mm (5/16 po). Insérez les chevilles d'ancrage dans les trous percés (une dans chaque trou). Installez (2) rondelles et (2) vis de montage n° 8 x 1-3/16 po à tête cylindrique à travers l'arrière de la hotte et dans les chevilles d'ancrage. Vérifiez que la hotte est centrée et de niveau. Serrez complètement les vis.
13. Pour remettre les filtres à graisse, alignez les ergots arrière des filtres dans les fentes de la hotte. Repoussez la languette métallique, poussez les filtres en place et relâchez. Vérifiez si les filtres sont bien fixés une fois replacés.



14. Glissez le conduit décoratif supérieur vers le haut jusqu'à ce qu'il soit aligné avec sa bride de montage. La bride doit être à l'intérieur du conduit décoratif. Fixez le conduit supérieur à la bride supérieure avec deux (2) vis de n° 8 x 3/8 po.
15. Enlevez le reste de pellicule protectrice en plastique de la hotte.

## INSTALLATION DE LA HOTTE (hotte sans conduits seulement)

### CONTENU DE L'ENSEMBLE MODÈLE RK56 POUR HOTTE SANS CONDUITS

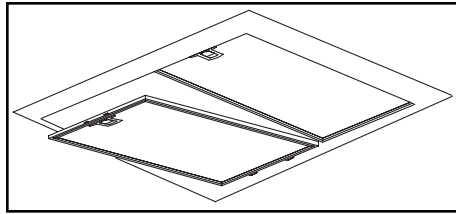


**REMARQUE : Les installations sans conduits nécessitent l'ensemble sans conduits, modèle RK56 (vendu séparément).**

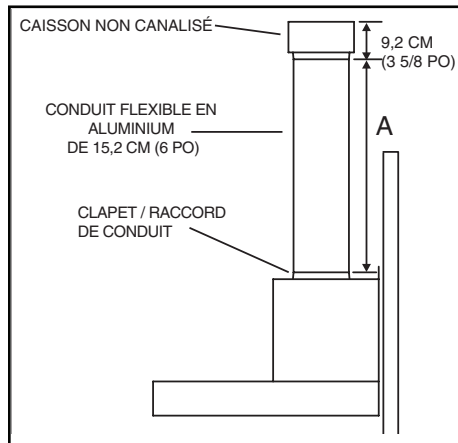
1. ATTENTION : N'utilisez pas de conduit en métal rigide ou en plastique.
2. N'enlevez pas à cette étape la pellicule protectrice en plastique recouvrant la hotte et le conduit décoratif de cheminée.
3. Placez la hotte sur une table, sur le dos. Utilisez un carton pour éviter d'endommager la table ou la hotte.
4. Fixez le clapet / raccord de conduit au sommet du boîtier de la hotte à l'aide de (4) vis n° 8 x 3/8 po à tête cylindrique.
5. Enlevez les clapets de l'ensemble clapet / raccord de conduit et jetez-les.



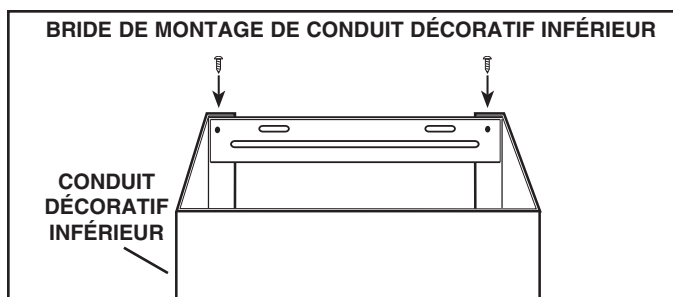
6. Enlevez les filtres à graisse en repoussant la languette métallique et en basculant les filtres vers le bas.



7. Fixez le collier d'installation sans conduits au caisson non canalisé à l'aide de (4) vis ST4 x 8 à tête ronde.
8. Mesurez la distance « A ». Elle correspondra à la longueur du conduit flexible allongé.
9. Fixez le conduit flexible en aluminium au clapet / raccord de conduit avec l'attache autoblocante.
10. Fixez le conduit flexible au collier du caisson avec l'attache autoblocante. Scellez tous les joints avec du ruban à conduit.

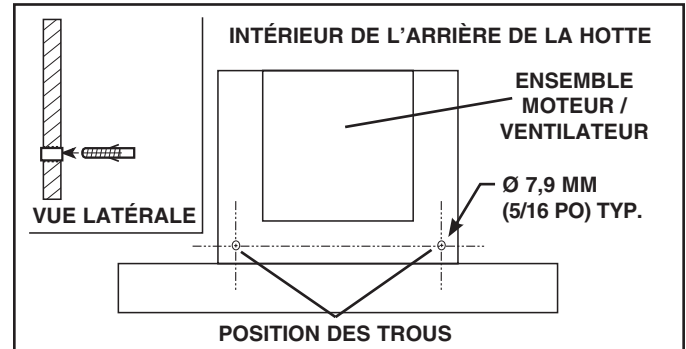


**REMARQUE : Les plafonds de 3 m (10 pi) exigent la Rallonge de conduit décoratif pour plafonds de 3 m (10 pi), modèle FXN53SS, pour les installations avec ou sans conduits (vendue séparément). Jetez le conduit décoratif supérieur fourni avec votre hotte et remplacez-le par la rallonge de conduit décoratif, modèle FXN53SS.**



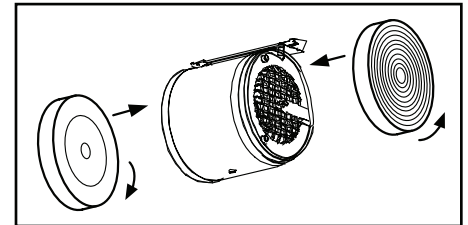
11. Enlevez la section supérieure de conduit décoratif qui se trouve à l'intérieur du conduit décoratif inférieur. Fixez la bride sur le conduit décoratif inférieur à l'aide de (2) vis n° 8 x 3/8 po en vous assurant que les fentes sont en haut. Enlevez la pellicule protectrice en plastique recouvrant les deux conduits décoratifs. Glissez soigneusement le conduit décoratif supérieur à l'intérieur du conduit décoratif inférieur.
12. Placez soigneusement les conduits décoratifs dans l'espace au-dessus de la hotte. Assurez-vous que les onglets du conduit décoratif inférieur pointent vers le bas et s'engagent dans les fentes du dessus de la hotte.
13. Fixez le caisson non canalisé et son collier au conduit décoratif supérieur à l'aide de (4) vis ST4 x 8 à tête ronde.

14. Soulevez la hotte, maintenez-la près de son emplacement et branchez son cordon électrique dans la prise.
15. Alignez la hotte et centrez-la au-dessus de sa bride de montage. Abaissez doucement la hotte jusqu'à ce qu'elle s'engage solidement dans la bride.



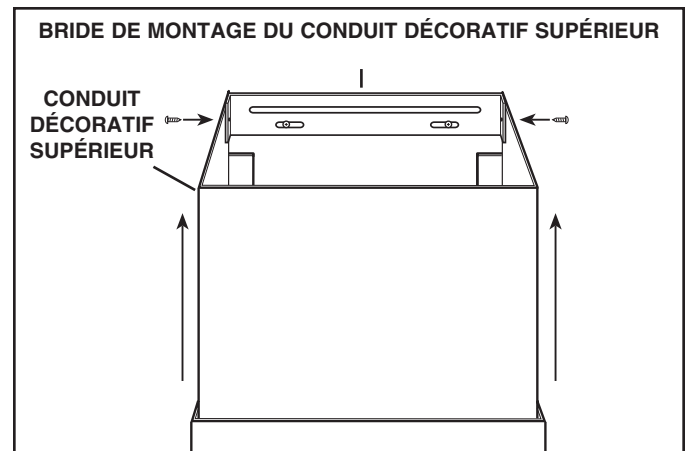
16. La hotte étant suspendue en place, percez à travers les deux trous situés à l'intérieur de l'arrière du boîtier de la hotte à l'aide d'une mèche de 7,9 mm (5/16 po). Insérez les chevilles d'ancrage dans les trous percés (une dans chaque trou). Installez (2) rondelles et (2) vis de montage n° 8 x 1-3/16 po à tête cylindrique à travers l'arrière de la hotte et dans les chevilles d'ancrage. Vérifiez que la hotte est centrée et de niveau. Serrez complètement les vis.

17. Fixez deux (2) filtres de recirculation aux côtés du ventilateur en alignant le cran de retenue sur la fente et en tournant les filtres en place.



Pour remplacer les filtres de recirculation - veuillez acheter les filtres S97018030 ou FILTERS ROND.

18. Pour remettre les filtres à graisse, alignez les ergots arrière des filtres dans les fentes de la hotte. Repoussez la languette métallique, poussez les filtres en place et relâchez. Vérifiez si les filtres sont bien fixés une fois replacés.

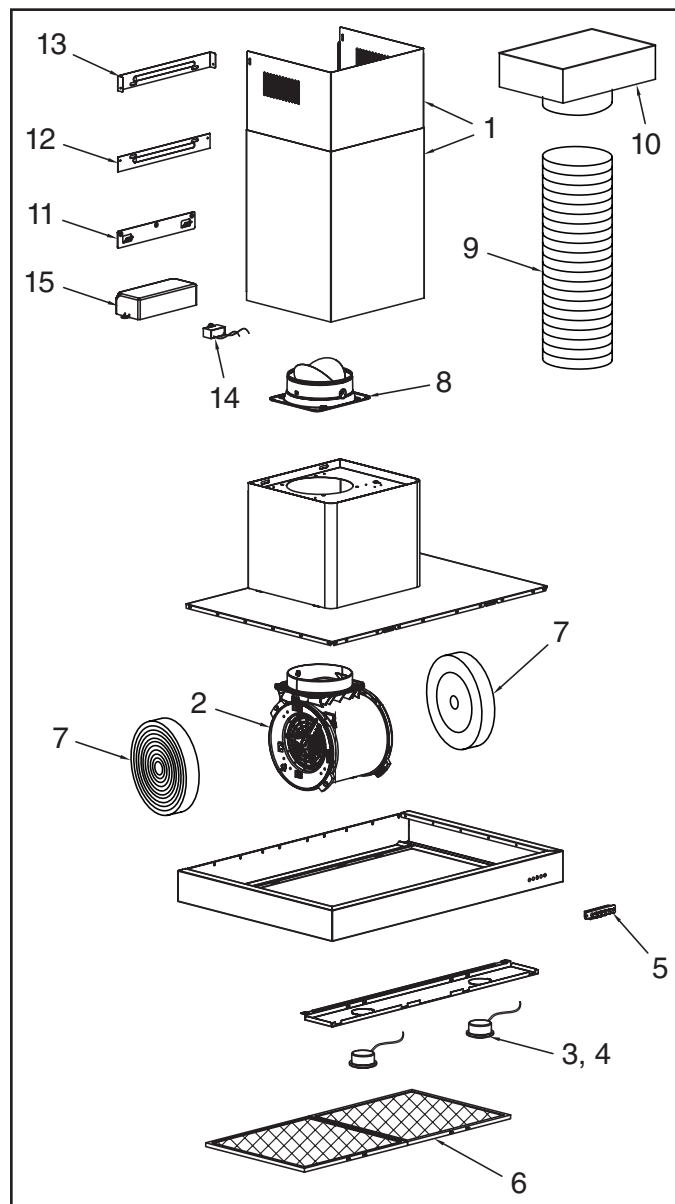


19. Glissez le conduit décoratif supérieur vers le haut jusqu'à ce qu'il soit aligné avec sa bride de montage. La bride doit être à l'intérieur du conduit décoratif. Fixez le conduit supérieur à la bride supérieure avec deux (2) vis de n° 8 x 3/8 po.
20. Enlevez le reste de pellicule protectrice en plastique de la hotte.

## PIÈCES DE RECHANGE

N° DE REPÈRE	N° DE PIÈCE	DESCRIPTION	QTÉ
1	S99528454	Conduits décoratifs supérieur et inférieur	1
2	S99526974	Ensemble moteur / ventilateur	1
3	S99526975	Ensemble de douille d'ampoule	2
4	S99527010	Ensemble d'anneau de finition / lentille d'éclairage	2
5	S99526976	Ensemble de boutons-poussoirs	1
6	S97018027	Filtres à graisses en aluminium (2 par hotte) B5330SS	1
	S97018028	Filtres à graisses en aluminium (3 par hotte) B5336SS	1
7	S97018030	Filtres de recirculation pour installation sans conduits (paire)	1
8	S99526983	Clapet / raccord de conduit	1
9	S99526984	Conduit d'aluminium flexible de 15,2 cm (6 po) extensible	1
10	S99526985	Ensemble de caisson non canalisé	1
11	S99526987	Bride de montage de hotte	1
12	S99526988	Bride de montage de conduit décoratif inférieur	1
13	S99526990	Bride de montage de conduit décoratif supérieur	1
14	S99527012	Condensateur	1
15	S99527013	Couvercle en plastique	1
	S99527011	Transformateur (non illustré)	1
	S99528455	Sachet de pièces (non illustré)	1

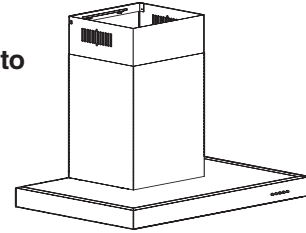
Veuillez commander les pièces par n° de pièce et non par n° de repère.



Les pièces de rechange peuvent être commandées sur notre site : [www.broan.com](http://www.broan.com).

## CAMPANA DE ESTUFA DE CHIMENEA

Para registrar este producto  
visite: [www.broan.com](http://www.broan.com)



Página 19

### LEA Y CONSERVE ESTAS INSTRUCCIONES

**⚠ INDICADA SOLAMENTE PARA COCINAR EN CASA. ⚠**

#### **⚠ ADVERTENCIA**

**PARA REDUCIR EL RIESGO DE INCENDIOS, DESCARGAS ELÉCTRICAS O LESIONES PERSONALES OBSERVE LAS SIGUIENTES PRECAUCIONES:**

1. Use la unidad sólo de la manera indicada por el fabricante. Si tiene preguntas, comuníquese con el fabricante a la dirección o al número telefónico que se incluye en la garantía.
2. Antes de dar servicio o limpiar la unidad, interrumpa el suministro eléctrico en el panel de servicio y bloquee los medios de desconexión del servicio para evitar que la electricidad sea reanudada accidentalmente. Cuando no sea posible bloquear los medios de desconexión del servicio, fije firmemente una señal de advertencia (como una etiqueta) en un lugar visible del panel de servicio.
3. Sólo personal calificado debe realizar el trabajo de instalación y el cableado eléctrico, de acuerdo con todos los códigos y normas correspondientes, incluidos los códigos y normas de construcción específicos sobre protección contra incendios.
4. Se necesita suficiente aire para que se lleve a cabo una combustión adecuada y la extracción de los gases a través del tubo de humos (chimenea) del equipo quemador de combustible, con el fin de evitar las contracorrientes. Siga las directrices y las normas de seguridad del fabricante del equipo de calefacción, como las publicadas por la Asociación Nacional de Protección contra Incendios (National Fire Protection Association, NFPA), la Sociedad Americana de Ingenieros en Calefacción, Refrigeración y Aire Acondicionado (American Society for Heating, Refrigeration and Air Conditioning Engineers, ASHRAE) y las autoridades de los códigos locales.
5. Este producto puede tener bordes afilados. Tenga cuidado para evitar cortes y abrasiones durante la instalación o la limpieza.
6. Al cortar o perforar a través de la pared o del techo, tenga cuidado de no dañar el cableado eléctrico ni otros servicios ocultos.
7. Los ventiladores en conductos siempre deben ventearse hacia el exterior.
8. No use esta unidad junto con ningún dispositivo de control de velocidad de estado sólido.
9. Para reducir el riesgo de incendio, use solamente conductos de acero.
10. Esta unidad debe conectarse a tierra.

**PARA REDUCIR EL RIESGO DE INCENDIO PROVOCADO POR GRASA PRESENTE EN LA ESTUFA:**

- a) Nunca deje desatendidas las unidades de la superficie cuando estén en ajustes altos de calor. Los alimentos en ebullición provocan derrames grasosos y con humo que se pueden incendiar. Caliente el aceite lentamente en ajustes de calor bajo o medio.
- b) Siempre ENCIENDA la campana cuando esté cocinando a altas temperaturas o flameando alimentos (por ejemplo, crepas Suzette, cerezas Jubilee, bistec con pimienta flameado).
- c) Limpie frecuentemente los ventiladores. No permita la acumulación de grasa en el ventilador ni en el filtro.
- d) Use una cacerola del tamaño adecuado. Siempre use utensilios de cocina que sean apropiados para el tamaño del elemento de la superficie.

#### **⚠ ADVERTENCIA**

**PARA REDUCIR EL RIESGO DE LESIONES PERSONALES EN EL CASO DE QUE LA GRASA DE LA ESTUFA SE INCENDIE, OBSERVE LAS SIGUIENTES PRECAUCIONES\*:**

1. APAGUE LAS LLAMAS con una tapa de ajuste exacto, una charola para galletas o una bandeja de metal, y después apague el quemador. **PROCEDA CON CUIDADO PARA EVITAR QUEMADURAS. SI LAS LLAMAS NO SE APAGAN INMEDIATAMENTE, EVACÚE EL ÁREA Y LLAME AL DEPARTAMENTO DE BOMBEROS.**
2. NUNCA LEVANTE UNA CACEROLA INCENDIADA, se puede quemar.
3. NO USE AGUA ni toallas húmedas, ya que provocará una violenta explosión de vapor.
4. Use un extintor SÓLO si:
  - A. El extintor es clase ABC y usted sabe cómo usarlo.
  - B. El incendio es pequeño y está confinado al área en la que se inició.
  - C. Se ha llamado al departamento de bomberos.
  - D. Puede combatir el incendio teniendo la espalda orientada hacia una salida.

\*Basado en "Kitchen Fire Safety Tips" (Sugerencias para la seguridad contra incendios en la cocina) publicado por NFPA.

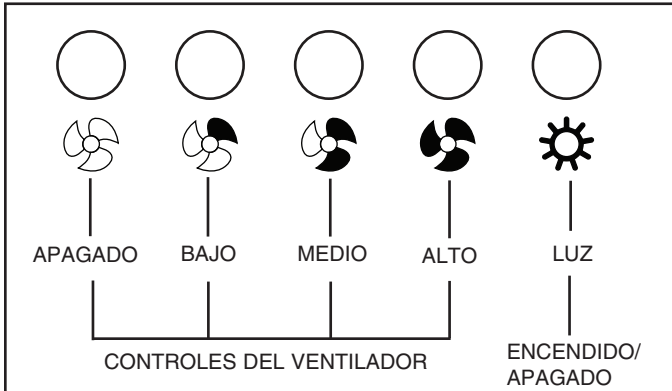
#### **PRECAUCIÓN**

1. Para uso en interiores solamente.
2. Sólo para usarse como medio de ventilación general. No debe usarse para la extracción de materiales ni vapores peligrosos o explosivos.
3. Para evitar daños a los cojinetes del motor y rotores ruidosos o desbalanceados, mantenga la unidad de potencia protegida contra rociados de yeso, polvos de construcción, etc.
4. No use equipo para cocinar mayor de 60,000 BTU/hr, pues el motor ventilador se apagará de manera intermitente.
5. Este motor de campana tiene una protección contra sobrecargas térmicas que automáticamente apagará el motor en caso de sobrecalentamiento. El motor reanudará su funcionamiento cuando se enfríe. Si el motor continúa apagándose y encendiéndose, solicite servicio para la campana.
6. Se recomienda una altura máxima de 36 pulg. (91.4 cm) por encima de la estufa para mejor las impurezas al cocinar. La parte inferior de la campana NO DEBE ESTAR A MENOS de 30 pulg. (76 cm) por encima de la estufa.
7. Se recomienda que dos personas hagan la instalación debido al gran tamaño de esta campana.
8. Para reducir el riesgo de incendio y para descargar adecuadamente el aire, asegúrese de dirigir el aire hacia el exterior. No descargue el aire en espacios contenidos entre paredes o cielos rasos, ni en áticos, sótanos bajos ni en la cochera.
9. Tenga cuidado al instalar el tubo de humos decorativo y la campana; pueden tener bordes afilados.
10. Lea la etiqueta de especificaciones que tiene el producto para ver información y requisitos adicionales.

INSTALADOR: DEJE ESTA GUÍA CON EL PROPIETARIO DE LA VIVIENDA.

PROPIETARIO DE LA VIVIENDA: EN LA PÁGINA 20 ENCONTRARÁ INFORMACIÓN DE OPERACIÓN Y MANTENIMIENTO.

## FUNCIONAMIENTO



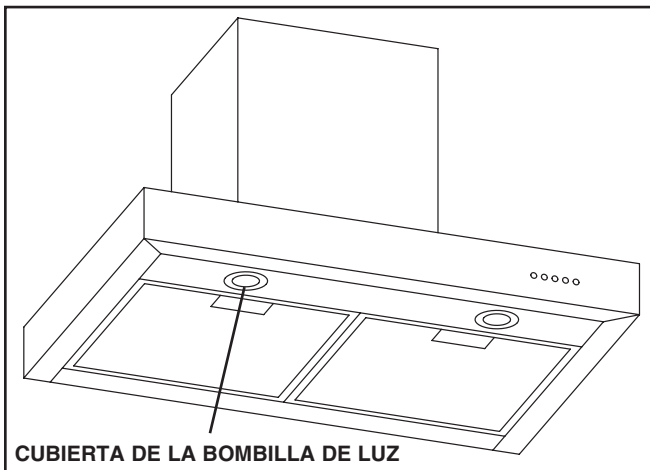
La campana se hace funcionar con los botones en el panel frontal.

Presione el botón de la luz para encender y apagar las luces.

Presione los controles del ventilador para seleccionar la velocidad baja, media o alta del ventilador.

Presione el botón de APAGADO para apagar el ventilador.

## BOMBILLAS



### ⚠ ADVERTENCIA

**Las bombillas podrían estar calientes. Siempre permita que se enfríen las bombillas antes de cambiarlas.**

Esta campana de estufa requiere dos bombillas de halógeno (tipo JC, 12 V, 20 W máximo y base G-4 - incluye).

Para cambiar las bombillas:

1. Retire la cubierta de la bombilla de luz empujándola suavemente hacia arriba y girándola en sentido contrahorario.
2. Reemplace la bombilla.
3. Reinstale la cubierta de la bombilla de luz empujándola suavemente hacia arriba y girándola en sentido horario.

## LIMPIEZA Y MANTENIMIENTO

El mantenimiento correcto de la campana de la estufa asegurará el funcionamiento adecuado de la unidad.

### MOTOR

El motor está permanentemente lubricado y nunca necesitará ponerle aceite. Si los cojinetes del motor están haciendo ruido excesivo o inusual, reemplace el motor con el motor de servicio exacto. También debe reemplazar el impulsor.

### FILTRO DE GRASA

El filtro de grasa se debe limpiar con frecuencia, con una solución tibia de detergente y agua. El filtro de grasa se puede lavar en el lavaplatos.

Limpie los filtros completamente metálicos en el lavaplatos con un detergente sin fosfatos. El filtro se puede decolorar si se utilizan detergentes con fosfatos o como resultado de la condición del agua local, pero esto no afectará el desempeño del filtro. Esta decoloración no está cubierta por la garantía.

Retire el filtro de la grasa empujando hacia atrás la cejilla metálica. Esto desacoplará al filtro de la campana. Incline el filtro hacia abajo y retírelo.

### FILTROS DE RECIRCULACIÓN PARA SISTEMAS SIN CONDUCTOS

Los filtros de recirculación para sistemas sin conductos se debe cambiar cada 3-6 meses. Cámbielo con más frecuencia si su estilo de cocinar genera más grasa, como al freír y al cocinar en una sartén china de cuenco redondo.

Gire los filtros para retirarlos del ventilador y reemplace.

### LIMPIEZA DEL ACERO INOXIDABLE

#### COSAS QUE PUEDE HACER:

- Regularmente, lave con una tela o trapo limpio remojado con agua tibia y jabón o detergente líquido para platos.
- Siempre limpie en la dirección de las líneas originales de pulido.
- Siempre enjuague bien con agua limpia (2 o 3 veces) después de la limpieza. Séquelo por completo.
- También puede usar un limpiador casero especializado para acero inoxidable.

#### COSAS QUE NO DEBE HACER:

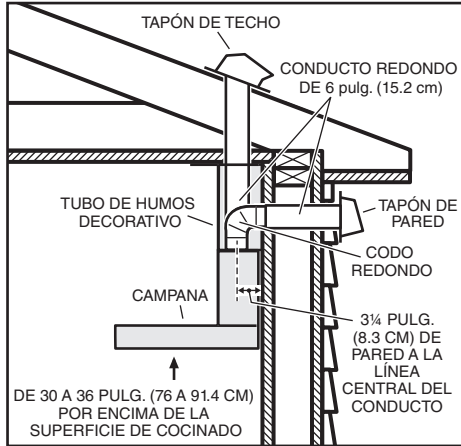
- Usar lana de acero o acero inoxidable ni algún otro tipo de raspador para quitar mugre difícil de sacar.
- Usar limpiadores fuertes ni abrasivos.
- Dejar que se acumule la mugre.
- Dejar que el polvo forme plastas ni que quede en la campana algún otro residuo de la construcción. Durante la construcción o la renovación, cubra la campana para estar seguro de que el polvo no se pegue a la superficie de acero inoxidable.

#### Evite: Al elegir un detergente

- Todo limpiador que contenga blanqueador, pues atacará al acero inoxidable.
- Todo producto que contenga: cloruro, fluoruro, yoduro, bromuro, pues deteriorará las superficies rápidamente.
- Todo producto combustible utilizado para la limpieza, como acetona, alcohol, éter, bencol, etc., pues son altamente explosivos y nunca se deben usar cerca de una estufa.

## INSTALE LOS CONDUCTOS (sólo en campanas con conductos)

1. Decida dónde instalará el conducto entre la campana y el exterior.
2. Un conducto recto y corto permitirá que la campana funcione más eficientemente.
3. Los tramos largos de conductos, codos y transiciones reducirán el rendimiento de la campana. Use tan pocos de ellos como sea posible. Es posible que se requieran conductos más grandes para un mejor funcionamiento con tramos más largos de conductos.
4. Instale la tapa para pared o techo. Conecte un conducto metálico redondo en la tapa y trabaje hacia atrás, hacia la ubicación de la campana. Use cinta para conductos para sellar las uniones entre las secciones de conductos.

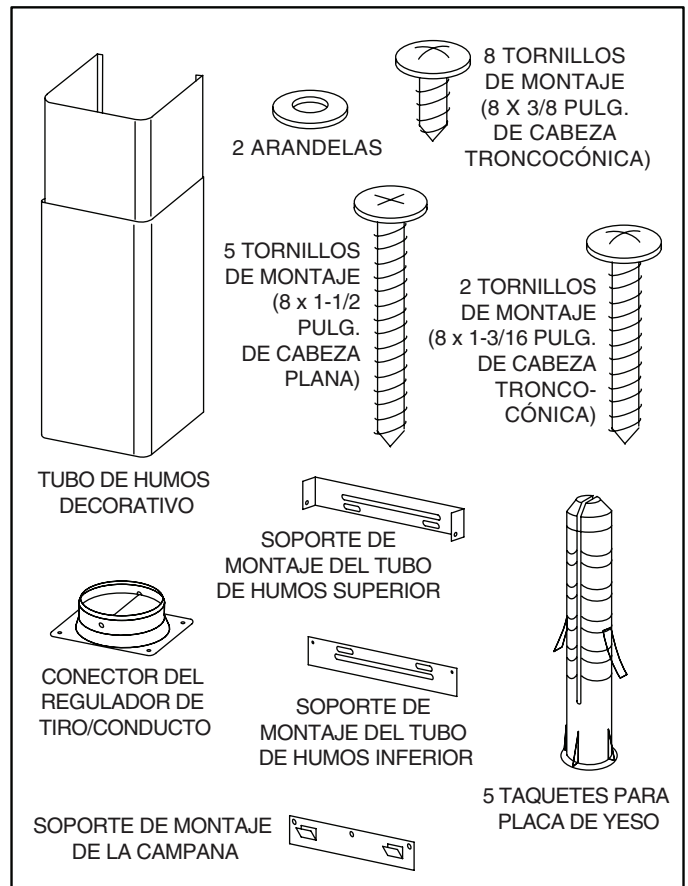
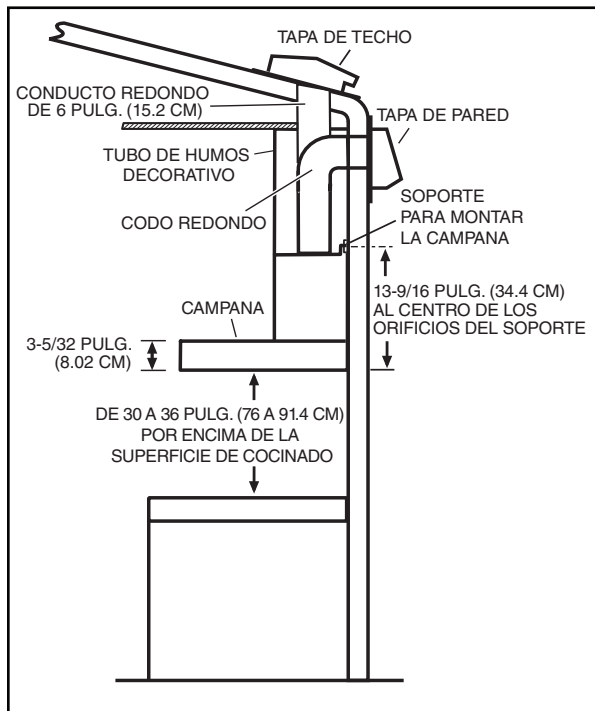


## PREPARE LA CAMPANA

Desempaque la campana y revise el contenido del paquete. Debe contener lo siguiente:

- 1 campana
- 1 conjunto del tubo de humos decorativo
- 1 conector del regulador de tiro/conducto
- 1 soporte de montaje del tubo de humos inferior
- 1 soporte de montaje del tubo de humos superior
- 1 soporte de montaje de la campana
- 2 filtros de aluminio para grasa (instalados en la campana)
- 1 bolsa de piezas con:
  - 8 tornillos de montaje (8 x 3/8 pulg. de cabeza troncocónica)
  - 5 tornillos de montaje (8 x 1-1/2 pulg. de cabeza plana)
  - 2 tornillos de montaje (8 x 1-3/16 pulg. de cabeza troncocónica)
  - 5 taquetes para placa de yeso
  - 2 arandelas
- 1 manual de instalación

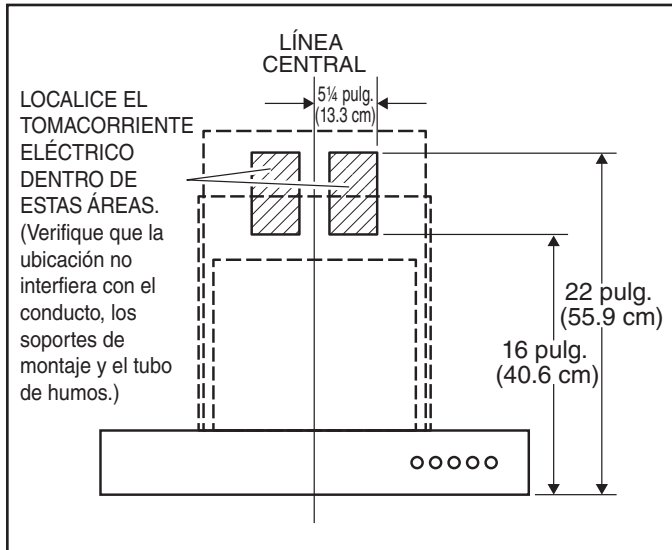
## MIDA LA INSTALACIÓN



Se recomienda una distancia máxima de 36 pulg. (91.4 cm) sobre la superficie de la estufa para la mejor captura de las impurezas resultantes del cocinado. La distancia mínima de la campana sobre la superficie de la estufa NO DEBE SER MENOR de 30 pulg. (76 cm).

Utilizar distancias superiores a las 36 pulg. (91.4 cm) quedan a discreción del usuario y del instalador, siempre y cuando lo permita la altura hasta el cielo raso.

## INSTALE EL CABLEADO



### 1. INSTRUCCIONES PARA LA PUESTA A TIERRA

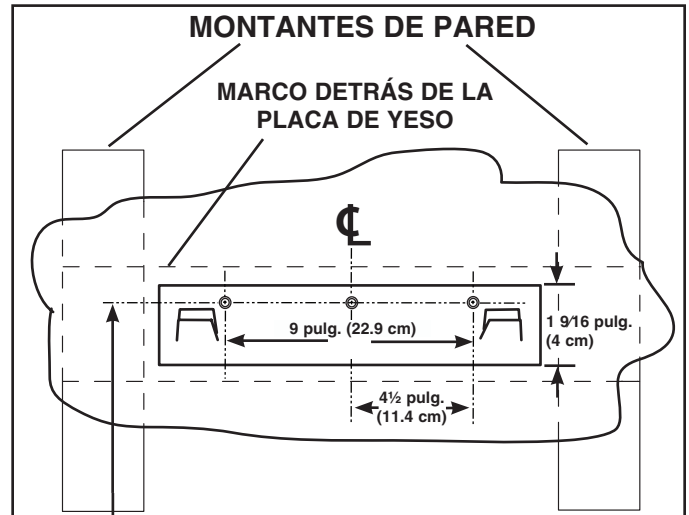
Este aparato debe estar conectado a tierra. En caso de un corto circuito eléctrico, la puesta a tierra reduce el riesgo de una descarga eléctrica al suministrar un cable de escape para la corriente eléctrica. Este aparato está equipado con un cordón que tiene un cable con una clavija a tierra. La clavija debe conectarse a una toma eléctrica que esté instalada y conectada a tierra adecuadamente.

**NOTA:**

Se recomienda un tomacorriente de “reloj” ahuecado.

2. Coloque el tomacorriente eléctrico dentro del espacio cubierto por el tubo de humos decorativo y donde no interfiera con el conducto redondo. Asegúrese de que el tomacorriente no esté a más de 14 pulg (35,6 cm) de donde sale el cordón de la campana y que el tomacorriente no interfiera con un área de sujeción de soportes o donde el tubo de humos toque la pared.

## INSTALE EL SOPORTE DE MONTAJE DE LA CAMPANA



43-9/16 (110.6 cm) = parte interior de la campana, 30 pulg. (76 cm) arriba de la estufa  
 49-9/16 (125.9 cm) = parte interior de la campana, 36 pulg. (91.4 cm) arriba de la estufa

1. Construya un bastidor de madera en la pared que quede al ras de la superficie interior de los montantes de la pared. Asegúrese de que:
  - a) el bastidor esté centrado en el lugar de la instalación.
  - b) la altura del bastidor permita fijar el soporte de montaje en el bastidor dentro de las dimensiones mostradas.
2. Después de terminar con la superficie de la pared, centre con cuidado y nivele el soporte de montaje de la campana, y asegúrelo al bastidor de la pared con tres (3) tornillos de montaje de 8 x 1 1/2 pulg. Apriete totalmente los tornillos.

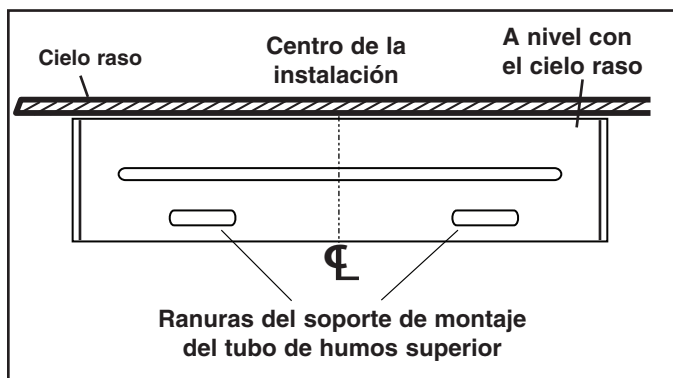
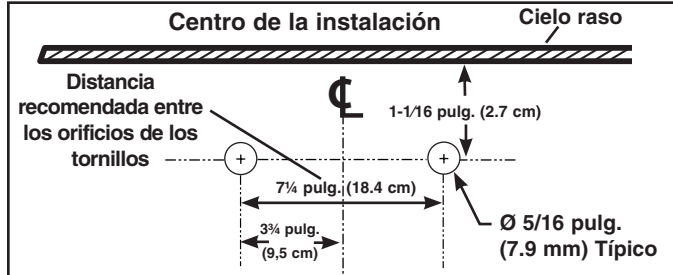
Distancia deseada de la campana por encima de la estufa de 36 pulg. (91.4 cm) de alto (vea la nota 1)

		30 pulg. (76.2 cm)	31 pulg. (78.7 cm)	32 pulg. (81.3 cm)	33 pulg. (83.8 cm)	34 pulg. (86.4 cm)	35 pulg. (88.9 cm)	36 pulg. (91.4 cm)
Altura del techo	Método de conductos	Ubicación de los orificios de montaje del soporte por encima de la estufa de 36 pulg. (91.4 cm) de alto						
8 pies (244 cm)	Con conductos	43 9/16 pulg. (110.6 cm)	44 9/16 pulg. (113.2 cm)	45 9/16 pulg. (115.7 cm)	46 9/16 pulg. (118.3 cm)	47 9/16 pulg. (120.8 cm)	48 9/16 pulg. (123.3 cm)	49 9/16 pulg. (125.9 cm)
	Sin conductos	43 9/16 pulg. (110.6 cm)	44 9/16 pulg. (113.2 cm)	45 9/16 pulg. (115.7 cm)				
9 pies (274 cm)	Con conductos	43 9/16 pulg. (110.6 cm)	44 9/16 pulg. (113.2 cm)	45 9/16 pulg. (115.7 cm)	46 9/16 pulg. (118.3 cm)	47 9/16 pulg. (120.8 cm)	48 9/16 pulg. (123.3 cm)	49 9/16 pulg. (125.9 cm)
	Sin conductos	43 9/16 pulg. (110.6 cm)	44 9/16 pulg. (113.2 cm)	45 9/16 pulg. (115.7 cm)	46 9/16 pulg. (118.3 cm)	47 9/16 pulg. (120.8 cm)	48 9/16 pulg. (123.3 cm)	49 9/16 pulg. (125.9 cm)
10 pies (305 cm) (vea la nota 2)	Con conductos	43 9/16 pulg. (110.6 cm)	44 9/16 pulg. (113.2 cm)	45 9/16 pulg. (115.7 cm)	46 9/16 pulg. (118.3 cm)	47 9/16 pulg. (120.8 cm)	48 9/16 pulg. (123.3 cm)	49 9/16 pulg. (125.9 cm)
	Sin conductos	43 9/16 pulg. (110.6 cm)	44 9/16 pulg. (113.2 cm)	45 9/16 pulg. (115.7 cm)	46 9/16 pulg. (118.3 cm)	47 9/16 pulg. (120.8 cm)	48 9/16 pulg. (123.3 cm)	49 9/16 pulg. (125.9 cm)

**Notas:**

1. La distancia mínima de la campana sobre la superficie de la estufa no debe ser menor de 30 pulg. (76.2 cm). Se recomienda enfáticamente una distancia máxima de 36 pulg. (91.4 cm) sobre la superficie de la estufa para capturar mejor las impurezas resultantes del cocinado. Las distancias mayores de 36 pulg. (91.4 cm) sobre la superficie de la estufa se dejan a criterio de la persona que hace la instalación y del usuario, siempre y cuando la altura del cielo raso y la longitud del tubo de humos lo permitan.
2. Requiere un accesorio de extensión de tubo de humos de 10 pies (305 cm) – Modelo número FXN53SS.

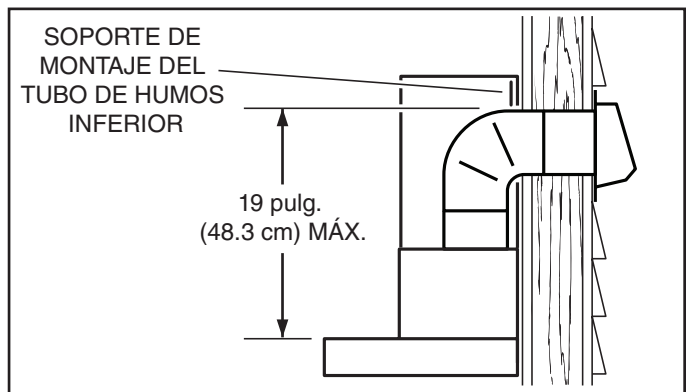
## INSTALE EL SOPORTE DE MONTAJE DEL TUBO DE HUMOS SUPERIOR



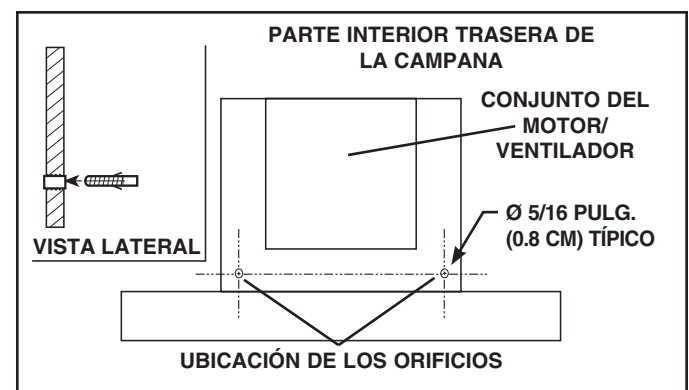
1. Perfore dos orificios de 5/16 pulg. (7.9 mm) de diámetro donde se muestra. Inserte los taquetes para placa de yeso en los orificios.
2. Centre el soporte sobre la ubicación de la campana y a nivel con el cielo raso. Asegúrese de que las ranuras del soporte del tubo de humos superior estén en la parte inferior. Fije el soporte del tubo de humos superior a la pared utilizando dos (2) tornillos de montaje de 8 x 1 1/2 pulg.
3. Apriete totalmente los tornillos. Asegúrese de que el soporte esté apretado contra la pared.

## INSTALE LA CAMPANA (sólo para campanas con conductos horizontales)

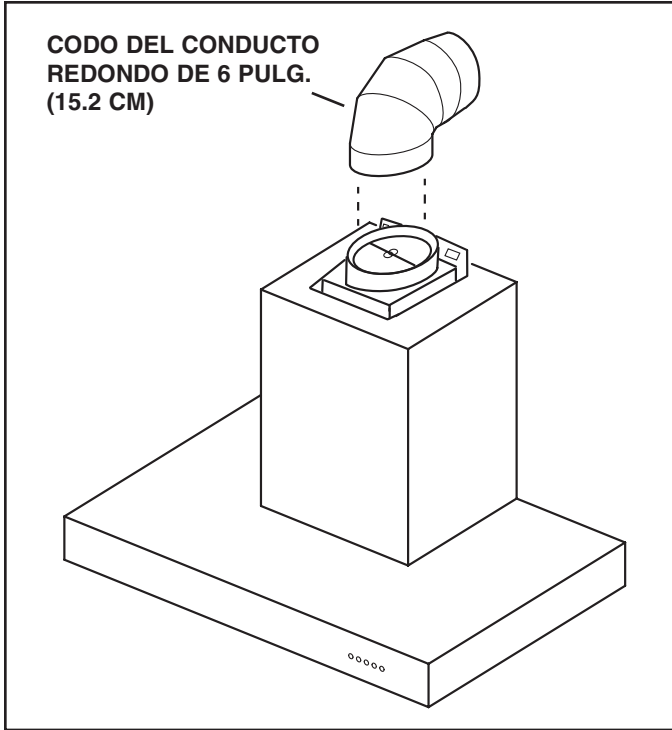
1. En este momento NOQuite la película de plástico protector que cubre el tubo de humos decorativo y la campana.
2. Deje la parte posterior de la campana plana sobre una mesa. Utilice un pedazo de cartón para evitar dañar la mesa o la campana.
3. Fije el conector del regulador/conducto en la parte superior de la campana utilizando cuatro (4) tornillos de montaje de 8 x 3/8 pulg. de cabeza troncocónica.
4. Retire los filtros para grasa empujando hacia atrás la cejilla metálica e inclinando los filtros hacia abajo para quitarlos.
5. Gire con cuidado la campana hacia arriba.



6. Asegúrese de que habrá una separación adecuada entre la parte superior de la campana y el soporte de montaje para los conductos del tubo de humos inferior. El codo debe colocarse debajo del soporte de montaje del tubo de humos inferior.
7. Alinee la campana y céntrela arriba del soporte de montaje de la campana. Lentamente baje la campana hasta que se fije con seguridad en el soporte.



8. Con la campana colgada en su lugar, perfore los dos orificios situados en la parte interior trasera de la campana, con una broca de 5/16 pulg. (7.9 mm). Inserte los taquetes para placa de yeso incluidos en los orificios perforados (uno para cada orificio). Instale dos (2) arandelas y dos (2) tornillos de montaje de 8 x 1 3/16 pulg. de cabeza troncocónica a través de la parte trasera de la campana y en los taquetes para placa de yeso. Verifique que la campana esté centrada y nivelada. Apriete totalmente todos los tornillos.
9. Reinstale los filtros para grasa alineando las lengüetas posteriores del filtro con las ranuras de la campana. Empuje hacia atrás la cejilla metálica, presione el filtro en su posición y libere. Asegúrese de que los filtros estén seguramente enganchados después de su instalación.

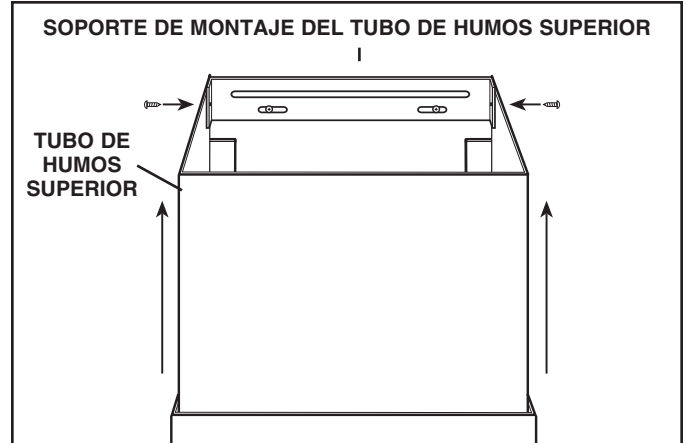


10. Mida e instale los conductos redondos de acero de 6 pulg. (15.2 cm) a la tapa para techo o a la tapa para pared, y el codo de 90° sobre el collarín del tubo en la campana. Use cinta para conductos para fijar y sellar todas las uniones.
11. Conecte el cable eléctrico de la campana en el tomacorriente.



**NOTA:** Los techos rasos de 10 pies (3 m) requieren una extensión del tubo de humos de 10 pies (3 m), modelo FXN53SS para instalaciones con conductos o sin conductos (se compra por separado). Deseche el tubo de humos superior incluido con la campana y reemplácelo con la extensión del tubo modelo FXN53SS.

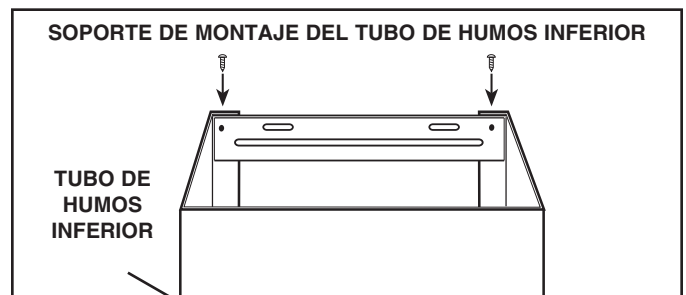
12. Retire el tubo de humos superior del interior del tubo de humos inferior. Instale el soporte del tubo de humos inferior al tubo de humos inferior usando dos (2) tornillos de soporte del tubo de humos de 8 x 3/8 pulg. Asegúrese de que las ranuras se encuentren en la parte superior. Vuelva a colocar con cuidado el tubo de humos superior en el interior de los dos tubos de humos. Reemplace con cuidado el tubo de humos superior al interior del tubo de humos inferior.
13. Coloque con cuidado ambos tubos de humos en el área ahuecada de la parte superior de la campana. Asegúrese de que las pestañas en el tubo de humos inferior apunten hacia abajo y se acoplen con las ranuras en la parte superior de la campana.



14. Deslice el tubo de humos superior hacia arriba, hasta que quede alineado con su soporte de montaje superior. El soporte debe quedar dentro del tubo de humos. Asegure el tubo superior con el soporte de montaje correspondiente, utilizando dos (2) tornillos de montaje de 8 x 3/8 pulg.
15. Retire cualquier plástico protector que permanezca en la campana.

## INSTALE LA CAMPANA (sólo para campanas con conductos verticales)

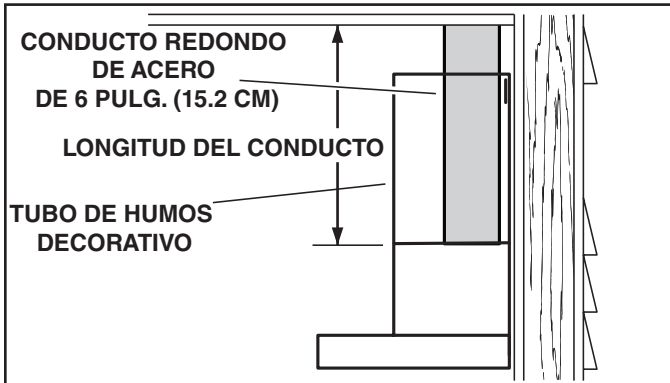
1. En este momento **NO QUITE** la película de plástico protector que cubre el tubo de humos decorativo y la campana.
2. Deje la parte posterior de la campana plana sobre una mesa. Utilice un pedazo de cartón para evitar dañar la mesa o la campana.
3. Fije el conector del regulador/conducto en la parte superior de la campana utilizando cuatro (4) tornillos de montaje de 8 x 3/8 pulg. de cabeza troncocónica.
4. Retire los filtros para grasa empujando hacia atrás la cejilla metálica e inclinando los filtros hacia abajo para quitarlos.
5. Gire con cuidado la campana hacia arriba.



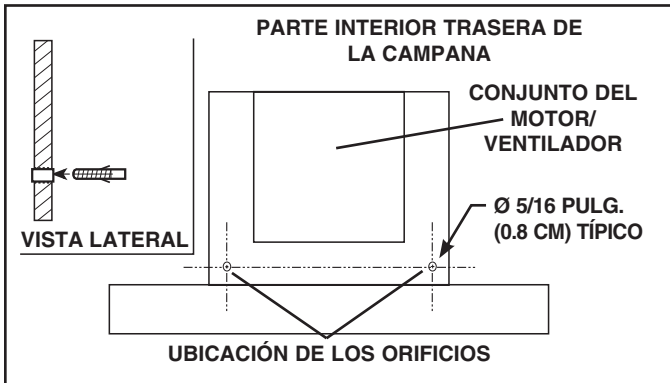
**NOTA:** Los techos rasos de 10 pies (3 m) requieren una extensión del tubo de humos de 10 pies (3 m), modelo FXN53SS (se compra por separado). Deseche el tubo de humos superior incluido con la campana y reemplácelo con la extensión del tubo modelo FXN53SS.

6. Retire el tubo de humos superior del interior del tubo de humos inferior. Instale el soporte del tubo inferior al tubo inferior usando dos (2) tornillos de soporte del tubo de humos de 8 x 3/8 pulg. asegurándose de que las ranuras estén en la parte superior. Retire la película de plástico protector que cubre los dos tubos de humos. Reemplace con cuidado el tubo de humos superior al interior del tubo de humos inferior.
7. Coloque con cuidado ambos tubos de humos en el área ahuecada de la parte superior de la campana. Asegúrese de que las pestañas en el tubo de humos inferior apunten hacia abajo y se acoplen con las ranuras en la parte superior de la campana.





8. Mida e instale los conductos de acero al conector de conductos de la campana. Use cinta para conductos para fijar y sellar todas las uniones.
9. Sostenga la campana cerca de la ubicación de montaje en la pared y conecte el cordón eléctrico en el tomacorriente.
10. Alinee la campana y céntrala arriba del soporte de montaje de la campana. Asegúrese de que los conductos en la campana se alineen y se fijen a los conductos en el cielo raso. Lentamente baje la campana hasta que se fije con seguridad en el soporte.
11. Use cinta para conductos para fijar y sellar todas las uniones.



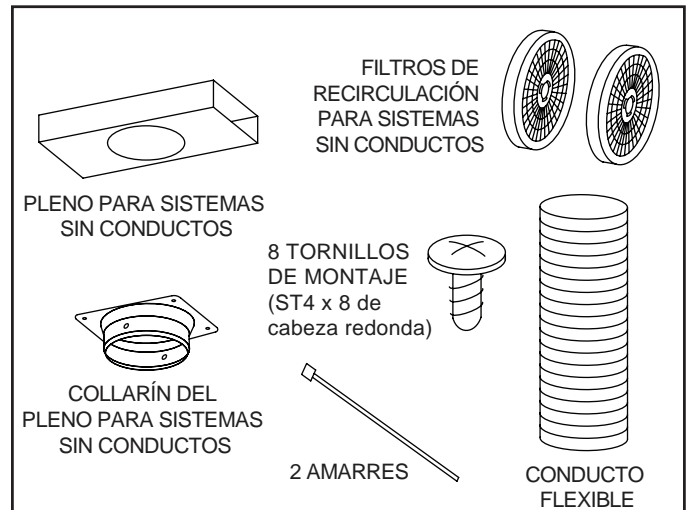
12. Con la campana colgada en su lugar, perforo los dos orificios situados en la parte interior trasera de la campana, con una broca de 5/16 pulg. (7.9 mm). Inserte los taquetes para placa de yeso incluidos en los orificios perforados (uno para cada orificio). Instale dos (2) arandelas y dos (2) tornillos de montaje de 8 x 1 3/16 pulg. de cabeza troncocónica a través de la parte trasera de la campana y en los taquetes para placa de yeso. Verifique que la campana esté centrada y nivelada. Apriete totalmente todos los tornillos.
13. Reinstale los filtros para grasa alineando las lengüetas posteriores del filtro con las ranuras de la campana. Empuje hacia atrás la cejilla metálica, presione el filtro en su posición y libere. Asegúrese de que los filtros estén seguramente enganchados después de su instalación.



14. Deslice el tubo de humos superior hacia arriba, hasta que quede alineado con su soporte de montaje. El soporte debe quedar dentro del tubo de humos. Asegure el tubo superior con el soporte de montaje correspondiente, utilizando dos (2) tornillos de montaje de 8 x 3/8 pulg.
15. Retire cualquier plástico protector que permanezca en la campana.

## INSTALE LA CAMPANA (sólo para campanas para sistemas sin conductos)

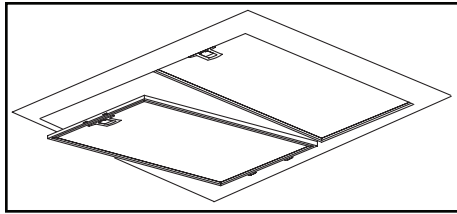
### CONTENIDO DEL KIT PARA SISTEMAS SIN CONDUCTOS MODELO RK56



**NOTA:** Las instalaciones sin conductos requieren el kit para sistemas sin conductos, modelo RK56 (se compra por separado).

1. PRECAUCIÓN: No use un conducto de plástico ni de metal rígido.
2. En este momento no quite la película de plástico protector que cubre el tubo de humos decorativo y la campana.
3. Deje la parte posterior de la campana plana sobre una mesa. Utilice un pedazo de cartón para evitar dañar la mesa o la campana.
4. Fije el conector del regulador/conducto en la parte superior de la campana utilizando cuatro (4) tornillos de montaje de 8 x 3/8 pulg. de cabeza troncocónica.
5. Quite las aletas del regulador del conector para conector/conducto y deseche las aletas.

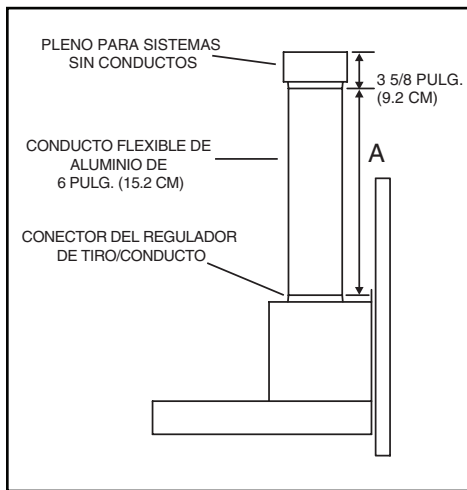
6. Retire los filtros para grasa empujando hacia atrás la cejilla metálica e inclinando los filtros hacia abajo para quitarlos.



7. Fije el collarín para sistemas sin conductos al pleno para sistemas sin conductos usando cuatro (4) tornillos de cabeza redonda ST4 x 8.

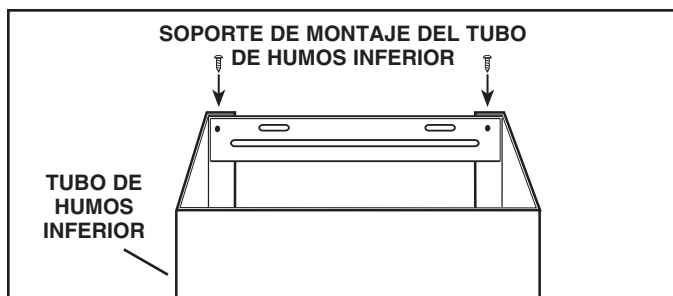
8. Mida la distancia "A". Será la longitud del conducto flexible extendido.

9. Fije el conducto flexible de aluminio al conector del regulador/ conducto con un amarre.



10. Fije el conducto flexible al collarín del pleno para sistemas sin conductos y fíjelo con un amarre. Coloque cinta para conductos en todas las uniones.

**NOTA: Los cielos rasos de 10 pies (3 m) requieren una extensión del tubo de humos de 10 pies (3 m), modelo FXN53SS para instalaciones con conductos o sin conductos (se compra por separado). Deseche el tubo de humos superior incluido con la campana y reemplácelo con la extensión del tubo modelo FXN53SS.**



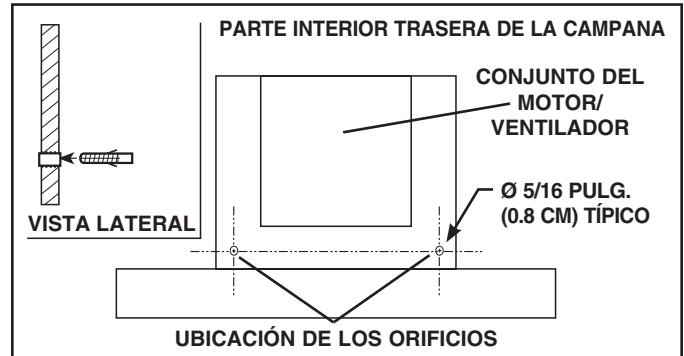
11. Retire el tubo de humos superior del interior del tubo de humos inferior. Instale el soporte del tubo inferior al tubo inferior usando dos (2) tornillos de soporte del tubo de humos de 8 x 3/8 pulg. asegurándose de que las ranuras estén en la parte superior. Retire la película de plástico protector que cubre los dos tubos de humos. Reemplace con cuidado el tubo de humos superior al interior del tubo de humos inferior.

12. Coloque con cuidado ambos tubos de humos en el área ahuecada de la parte superior de la campana. Asegúrese de que las pestañas en el tubo de humos inferior apunten hacia abajo y se acoplen con las ranuras en la parte superior de la campana.

13. Fije el pleno con collarín para sistemas sin conductos al pleno superior usando cuatro (4) tornillos de cabeza redonda ST4 x 8.

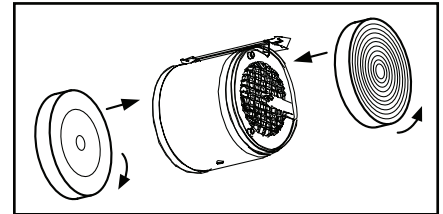
14. Sostenga la campana cerca de la ubicación de montaje en la pared y conecte el cordón eléctrico en el tomacorriente.

15. Alinee la campana y céntrala arriba del soporte de montaje de la campana. Lentamente baje la campana hasta que se fije con seguridad en el soporte.



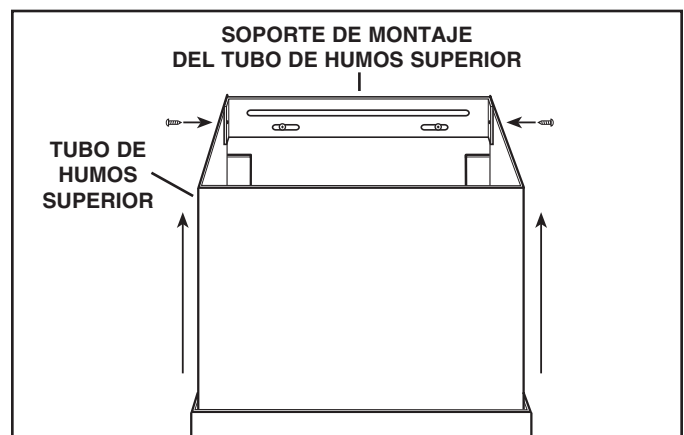
16. Con la campana colgada en su lugar, perforo los dos orificios situados en la parte interior trasera de la campana, con una broca de 5/16 pulg. (7.9 mm). Inserte los taquetes para placa de yeso incluidos en los orificios perforados (uno para cada orificio). Instale dos (2) arandelas y dos (2) tornillos de montaje de 8 x 1 3/16 pulg. de cabeza troncocónica a través de la parte trasera de la campana y en los taquetes para placa de yeso. Verifique que la campana esté centrada y nivelada. Apriete totalmente todos los tornillos.

17. Fije dos (2) filtros de recirculación para sistemas sin conductos a los lados del ventilador, alineando la ranura de bloqueo con llave y girando hasta que los filtros se fijen en su lugar.



Para reemplazar los filtros de circulación para sistemas sin conductos, compre el S97018030 o el FILTRO REDONDO.

18. Reinstale los filtros para grasa alineando las lengüetas posteriores del filtro con las ranuras de la campana. Empuje hacia atrás la cejilla metálica, presione el filtro en su posición y libere. Asegúrese de que los filtros estén seguramente enganchados después de su instalación.



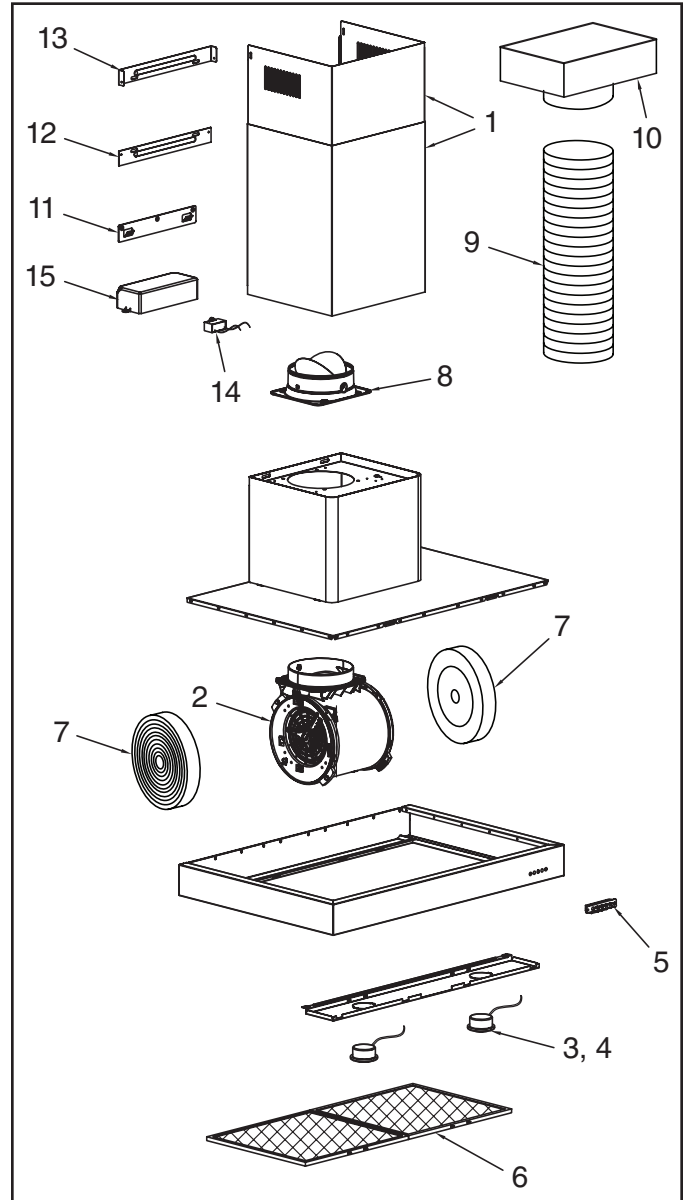
19. Deslice el tubo de humos superior hacia arriba, hasta que quede alineado con su soporte de montaje. El soporte debe quedar dentro del tubo de humos. Asegure el tubo superior con el soporte de montaje correspondiente, utilizando dos (2) tornillos de montaje de 8 x 3/8 pulg.

20. Retire cualquier plástico protector que permanezca en la campana.

## PIEZAS DE REPUESTO

CLAVE	PIEZA N.º	DESCRIPCIÓN	CANT.
1	S99528454	Tubos de humos decorativos superior e inferior	1
2	S99526974	Conjunto de motor/ventilador	1
3	S99526975	Conjunto de la base para la luz	2
4	S99527010	Conjunto del anillo de moldura para la luz/lente	2
5	S99526976	Conjunto de botones	1
6	S97018027	Filtros de aluminio para grasa (2 por campana) B5330SS	1
	S97018028	Filtros de aluminio para grasa (3 por campana) B5336SS	1
7	S97018030	Filtros de recirculación para sistemas sin conductos (par)	1
8	S99526983	Conector del regulador de tiro/conducto	1
9	S99526984	Conducto de aluminio flexible expansible 6 pulg. de diám.	1
10	S99526985	Conjunto del pleno para sistemas sin conductos	1
11	S99526987	Soporte de montaje para la campana	1
12	S99526988	Soporte de montaje del tubo de humos inferior	1
13	S99526990	Soporte de montaje del tubo de humos superior	1
14	S99527012	Capacitor	1
15	S99527013	Cubierta de plástico	1
	S99527011	Transformador (no se muestra)	1
	S99528455	Bolsa de piezas (no se muestra)	1

Al hacer el pedido de una pieza de repuesto, especifique el número de la pieza (no el número de la clave).



Se pueden hacer los pedidos de las piezas de repuesto en nuestro sitio Web: [www.broan.com](http://www.broan.com).

# WARRANTY / GARANTIE / GARANTÍA

## Limited Warranty

**Warranty Period and Exclusions:** Broan-NuTone LLC (the "Company") warrants to the original consumer purchaser of its product ("you") that the product (the "Product") will be free from material defects in the Product or its workmanship for a period of one (1) year from the date of original purchase.

The limited warranty period for any replacement parts provided by the Company and for any Products repaired or replaced under this limited warranty shall be the remainder of the original warranty period.

This warranty does not cover fluorescent lamp starters, tubes, halogen and incandescent bulbs, fuses, filters, ducts, roof caps, wall caps and other accessories for ducting that may be purchased separately and installed with the Product. This warranty also does not cover (a) normal maintenance and service, (b) normal wear and tear, (c) any Products or parts which have been subject to misuse, abuse, abnormal usage, negligence, accident, improper or insufficient maintenance, storage or repair (other than repair by the Company), (d) damage caused by faulty installation, or installation or use contrary to recommendations or instructions, (e) any Product that has been moved from its original point of installation, (f) damage caused by environmental or natural elements, (g) damage in transit, (h) natural wear of finish, (i) Products in commercial or nonresidential use, or (j) damage caused by fire, flood or other act of God. This warranty covers only Products sold to original consumers in the United States by the Company or U.S. distributors authorized by the Company.

This warranty supersedes all prior warranties and is not transferable from the original consumer purchaser.

**No Other Warranties:** This Limited Warranty contains the Company's sole obligation and your sole remedy for defective products. The foregoing warranties are exclusive and in lieu of any other warranties, express or implied. THE COMPANY DISCLAIMS AND EXCLUDES ALL OTHER EXPRESS WARRANTIES, AND DISCLAIMS AND EXCLUDES ALL WARRANTIES IMPLIED BY LAW, INCLUDING WITHOUT LIMITATION THOSE OF MERCHANTABILITY AND FITNESS FOR A PARTICULAR PURPOSE. To the extent that applicable law prohibits the exclusion of implied warranties, the duration of any applicable implied warranty is limited to the period specified for the express warranty above. Some states do not allow limitations on how long an implied warranty lasts, so the above limitation may not apply to you. Any oral or written description of the Product is for the sole purpose of identifying it and shall not be construed as an express warranty.

Whenever possible, each provision of this Limited Warranty shall be interpreted in such manner as to be effective and valid under applicable law, but if any provision is held to be prohibited or invalid, such provision shall be ineffective only to the extent of such prohibition or invalidity, without invalidating the remainder of such provision or the other remaining provisions of the Limited Warranty.

**Remedy:** During the applicable limited warranty period, the Company will, at its option, provide replacement parts for, or repair or replace, without charge, any Product or part thereof, to the extent the Company finds it to be covered by and in breach of this limited warranty under normal use and service. The Company will ship the repaired or replaced Product or replacement parts to you at no charge. You are responsible for all costs for removal, reinstallation and shipping, insurance or other freight charges incurred in the shipment of the Product or part to the Company. If you must replace the Product or part to the Company, as instructed by the Product or part—the Company is not responsible for damage in transit. The Company reserves the right to utilize reconditioned, refurbished, repaired or remanufactured Products or parts in the warranty repair or replacement process. Such Products and parts will be comparable in function and performance to an original Product or part and warranted for the remainder of the original warranty period.

**Exclusion of Damages:** THE COMPANY'S OBLIGATION TO PROVIDE REPLACEMENT PARTS, OR REPAIR OR REPLACE, AT THE COMPANY'S OPTION, SHALL BE YOUR SOLE AND EXCLUSIVE REMEDY UNDER THIS LIMITED WARRANTY AND THE COMPANY'S SOLE AND EXCLUSIVE OBLIGATION. THE COMPANY SHALL NOT BE LIABLE FOR INCIDENTAL, INDIRECT, CONSEQUENTIAL OR SPECIAL DAMAGES ARISING OUT OF OR IN CONNECTION WITH THE PRODUCT, ITS USE OR PERFORMANCE.

Some states do not allow the exclusion or limitation of incidental or consequential damages, so the above limitation or exclusion may not apply to you. This warranty gives you specific legal rights, and you may also have other rights, which vary from state to state.

This warranty covers only replacement or repair of defective Products or parts thereof at the Company's main facility and does not include the cost of field service travel and living expenses.

Any assistance the Company provides to or procures for you outside the terms, limitations or exclusions of this limited warranty will not constitute a waiver of such terms, limitations or exclusions, nor will such assistance extend or revive the warranty.

The Company will not reimburse you for any expenses incurred by you in repairing or replacing any defective Product, except for those incurred with the Company's prior written permission.

**How to Obtain Warranty Service:** To qualify for warranty service, you must (a) notify the Company at the address or telephone number stated below within seven (7) days of discovering the covered defect, (b) give the model number and part identification and (c) describe the nature of any defect in the Product or part. At the time of requesting warranty service, you must present evidence of the original purchase date. If you cannot provide a copy of the original written limited warranty, then the terms of the Company's most current written limited warranty for your particular product will control. The most current limited written warranties for the Company's products can be found at [www.broan.com](http://www.broan.com).

Broan-NuTone LLC 926 West State Street, Hartford, WI 53027 [www.broan.com](http://www.broan.com) 800-637-1453

## Garantie limitée

**Période de garantie et exclusions :** Broan-NuTone LLC (la « Société ») garantit au consommateur acheteur initial (« vous ») de son produit (le « Produit ») que celui-ci est exempt de tout vice de matériau ou de fabrication pour une période de un (1) an à compter de la date d'achat originale.

La période de la garantie limitée sur toute pièce de remplacement fournie par la Société et sur tout produit réparé ou remplacé en vertu de la présente garantie limitée correspond au reste de la période de garantie originale.

La présente garantie ne s'applique pas aux tubes fluorescents et aux démarreurs, ni aux ampoules halogènes ou incandescentes, fusibles, filtres, conduits, capuchons de toit, capuchons muraux et autres accessoires pour conduits pouvant avoir été achetés séparément et installés avec le produit. La présente garantie ne couvre pas (a) les travaux d'entretien et de service normal, (b) l'usure normale, (c) tout produit ou toute pièce ayant fait l'objet d'une mauvaise utilisation, d'un abus, d'un usage anormal, d'une négligence, d'un accident, d'un entretien, rangement ou réparation inadéquats ou insuffisants (autre que par la Société), (d) les dommages dus à une mauvaise installation, ou à une installation ou utilisation contrairement aux recommandations ou instructions, (e) tout produit déplacé de son lieu d'installation original, (f) les dommages dus à des éléments environnementaux ou naturels, (g) les dommages dus au transport, (h) l'usure naturelle du fini, (i) les produits utilisés à des fins commerciales ou non-résidentielles ou (j) les dommages dus à un incendie, à une inondation ou à un événement fortuit. La présente garantie ne couvre que les produits vendus au consommateur initial aux États-Unis par la Société ou par les distributeurs américains autorisés par la Société.

La présente garantie remplace toute garantie précédente et le consommateur et acheteur initial ne peut la céder à quiconque.

**Aucune autre garantie :** La présente garantie limitée stipule les seules obligations de la Société et votre seul recours en cas de produits défectueux. La garantie ci-dessus est exclusive et remplace toute autre garantie, expresse ou tacite. LA SOCIÉTÉ EXCLUT TOUTE AUTRE GARANTIE EXPRESSE ET TOUTE GARANTIE DÉCOULANT IMPLICITEMENT DE LA LOI, Y COMPRIS, SANS S'Y LIMITER, LES GARANTIES DE VALEUR MARCHANDE ET D'ADEQUATION À UN USAGE PARTICULIER. Dans la mesure où la loi en vigueur interdit l'exclusion des garanties tacites, la durée de toute garantie tacite est limitée à la période stipulée ci-dessus pour la garantie expresse. Certaines juridictions interdisant de limiter la durée d'une garantie tacite, la limitation ci-dessus peut ne pas s'appliquer à votre situation. Toute description verbale ou écrite du produit a pour seule fin d'identifier et ne doit pas être interprétée comme une garantie expresse.

Si possible, chaque disposition de cette garantie limitée doit être interprétée de sorte à être en vigueur et valide en vertu des lois applicables, mais si une disposition s'avère interdite ou invalide, elle le sera seulement dans la mesure de cette interdiction ou invalidité, sans invalider le reste de cette disposition ni les autres dispositions de la présente garantie limitée.

**Recours :** Pendant la période de garantie limitée applicable, la Société pourra, à son choix, fournir des pièces de rechange ou réparer ou remplacer, sans frais, tout produit ou toute pièce, dans la mesure où la Société constate qu'il est couvert et renvoyé à la présente garantie limitée dans des conditions normales d'utilisation et de service. La Société vous enverra gratuitement le produit réparé ou remplacé ou les pièces de rechange. Vous êtes responsables des frais de démontage, de remontage, d'expédition, d'assurance ou de tous autres frais de transport pour l'envoi du produit ou de la pièce à la Société. Si vous devez envoyer le produit ou la pièce à la Société, tel que la Société vous l'indiquera, vous devrez l'emballer correctement. La Société n'est pas responsable des dommages subis lors du transport. La Société se réserve le droit d'utiliser des produits ou des pièces remis en état, remis à neuf, réparés ou réunis dans le processus de réparation ou de remplacement sous garantie. Lesdits produits ou pièces seront comparables en fonction et en performance aux produits et pièces d'origine et seront garantis pendant le reste de la période de garantie originale.

**Exclusion de dommages :** L'OBLIGATION DE LA SOCIÉTÉ DE FOURNIR DES PIÈCES DE RECHANGE, OU DE RÉPARER OU REMPLACER LE PRODUIT, À SON CHOIX, CONSTITUE VOTRE SEUL ET UNIQUE RECOURS EN VERTU DE LA PRÉSENTE GARANTIE LIMITÉE ET LA SEULE ET UNIQUE OBLIGATION DE LA SOCIÉTÉ. LA SOCIÉTÉ NE PEUT ÊTRE TENUE RESPONSABLE DE TOUT DOMMAGE INDIRECT, CONSÉCUTIF, ACCESSOIRE OU SPECIAL DÉCOULANT DE L'UTILISATION OU DU RENDEMENT DU PRODUIT.

Certains territoires ou provinces ne permettant pas la limitation ou l'exclusion des dommages indirects ou consécutifs, la limitation ci-dessus peut ne pas s'appliquer à votre situation. La présente garantie vous confère des droits spécifiques reconnus par la loi. D'autres droits pourraient également vous être accordés selon la législation locale en vigueur.

La présente garantie ne couvre que le remplacement ou la réparation des produits ou pièces défectueux à l'usine principale de la Société et ne comprend pas les frais de voyage et ni les dépenses quotidiennes pour une réparation à domicile.

Toute aide que la Société vous fournit en dehors des dispositions, limitations ou exclusions de cette garantie limitée ne constituera en rien une renonciation auxdites dispositions, limitations ou exclusions, et ne prolongera aucunement cette garantie pas plus qu'elle ne la remettra en vigueur.

La Société ne vous rembourse aucune dépense encourue par vous pour la réparation ou le remplacement de tout produit défectueux, sauf celles que vous avez encourues avec la permission écrite préalable de la Société.

**Comment bénéficier du service de garantie :** Pour vous prévaloir de cette garantie, vous devez (a) aviser la Société à l'adresse ou au numéro de téléphone indiqués ci-dessous dans les sept (7) jours du constat de la défectuosité couverte, (b) donner le numéro de modèle du produit et le numéro d'identification de la pièce et (c) décrire la nature de la défectuosité du produit ou de la pièce. Lors de votre demande de garantie, vous devez présenter une preuve de la date d'achat originale. Si vous ne pouvez pas fournir une copie écrite de la garantie limitée originale, les dispositions de la garantie limitée écrite la plus récente de la Société concernant ce produit particulier s'appliqueront. Vous trouverez les garanties limitées écrites les plus récentes des produits de la Société sur le site [www.broan.ca](http://www.broan.ca).

Broan-NuTone Canada, Inc. 1140 Tristar Drive, Mississauga, Ontario L5T 1H9 [www.broan.ca](http://www.broan.ca) 800-637-1453

## Garantía limitada

**Periodo y exclusiones de la garantía:** Broan-NuTone LLC (la "Compañía") garantiza al consumidor comprador original de su producto ("usted") que el producto (el "Producto") estará libre de defectos en materiales o en mano de obra, por un periodo de un (1) año a partir de la fecha de compra original.

El periodo de garantía limitada para cualquier pieza de repuesto proporcionada por la compañía y para cualquier Producto reparado o reemplazado bajo esta garantía limitada debe ser lo que reste del periodo de garantía original.

Esta garantía no cubre arandadores de lámparas fluorescentes, tubos, bombillas de halógeno e incandescentes, fusibles, filtros, conductos, tapas de techo, tapas de pared ni otros accesorios que pudieran ser comprados por separado e instalados con el producto. Esta garantía tampoco cubre (a) mantenimiento y servicio normal, (b) uso y desgaste normal, (c) Productos o piezas sujetos a mal uso, abuso, uso anormal, negligencia, accidente, mantenimiento inadecuado o insuficiente, almacenamiento o reparación (que no sea reparación por parte de la Compañía), (d) daños causados por instalación defectuosa, o bien instalación o uso contrario a las recomendaciones o instrucciones, (e) cualquier Producto que se haya movido de su punto de instalación original, (f) daños ocasionados por el medio ambiente o los elementos naturales, (g) daños en tránsito, (h) desgaste natural del acabado, (i) Productos en uso comercial o no residencial, o (j) daños ocasionados por incendio, inundación u otro caso fortuito. Esta garantía cubre solamente Productos vendidos a clientes originales en los Estados Unidos por la Compañía o a distribuidores de EE. UU. autorizados por la Compañía.

Esta garantía sustituye todas las garantías anteriores y no es transferible del comprador consumidor original.

**No hay otras garantías:** Esta garantía limitada contiene la única obligación de la Compañía y su único recurso ante productos defectuosos. Las garantías anteriores son exclusivas y en lugar de cualquier otra garantía, expresa o implícita. LA COMPAÑÍA NEGATIVA Y EXCLUYE CUALQUIER OTRA GARANTÍA EXPRESA, Y NEGATIVA Y EXCLUYE TODAS LAS GARANTÍAS IMPLÍCITAS POR LEY, INCLUYENDO, ENTRE OTRAS, LAS DE COMERCIALIZACIÓN Y APTITUD PARA UN PROPÓSITO EN PARTICULAR. Hasta el grado en que la ley aplicable prohíba la exclusión de las garantías implícitas, la duración de cualquier garantía implícita aplicable está limitada al período especificado para la garantía expresa antes mencionada. Algunos estados no permiten limitaciones en la duración de una garantía implícita, así que la limitación anterior tal vez no aplique en su caso. Cualquier descripción verbal o escrita del Producto es para el único propósito de identificarlo y no deberá considerarse como una garantía expresa.

Siempre que sea posible, toda disposición de esta garantía limitada deberá ser interpretada de tal forma que sea efectiva y válida de conformidad con la ley aplicable, pero si alguna disposición fuera considerada prohibida o inválida, quedará sin efecto solo en virtud de dicha prohibición o invalidez, sin invalidar el resto de dicha disposición o las demás disposiciones restantes de la garantía limitada.

**Recurso:** Durante el periodo de garantía limitada aplicable, la Compañía, a su opción, suministrará piezas de repuesto, o reparará o reemplazará, sin cargo alguno, cualquier Producto o pieza del mismo, hasta el grado en que la Compañía lo encuentre cubierto bajo esta garantía limitada y en incumplimiento de la misma en condiciones normales de uso y servicio. La Compañía le enviará el Producto reparado o reemplazado o las piezas de repuesto sin cargo. Usted es responsable de todos los costos de retiro, reinstalación y envío, seguro u otros cargos de flete incurridos en el envío del Producto o pieza a la Compañía. Si debe enviar el Producto o la pieza a la Compañía, tal como lo indique la Compañía, debe empaquetar adecuadamente el Producto o la pieza: la Compañía no se hace responsable por los daños en tránsito. La Compañía se reserva el derecho de utilizar Productos o piezas reacondicionados, renovados, reparados o relabrados en el proceso de reemplazo o reparación de garantía. Dichos Productos y piezas serán comparables en función y desempeño a un Producto o una pieza original y tendrán garantía durante el resto del periodo de la garantía original.

**Exclusión de daños:** LA OBLIGACIÓN DE LA COMPAÑÍA DE SUMINISTRAR PIEZAS DE REPUESTO, O DE REPARAR O REEMPLAZAR, A OPCIÓN DE LA COMPAÑÍA, SERÁ SU ÚNICO Y EXCLUSIVO RECORSO BAJO ESTA GARANTÍA LIMITADA, Y LA ÚNICA Y EXCLUSIVA OBLIGACIÓN DE LA COMPAÑÍA. LA COMPAÑÍA NO SERÁ RESPONSABLE POR DAÑOS INCIDENTALES, INDIRECTOS, RESULTANTES O ESPECIALES QUE SURJAN POR EL USO O DESEMPEÑO DEL PRODUCTO, O EN RELACIÓN CON EL MISMO.

Algunos estados no permiten la exclusión o limitación de daños incidentales o resultantes, por lo que la limitación antes mencionada podría no aplicarse a usted. Esta garantía le otorga derechos legales específicos, y usted podría tener otros derechos que varían de un estado a otro.

Esta garantía cubre únicamente el reemplazo o la reparación de Productos defectuosos o piezas de los mismos en la planta principal de la Compañía, y no incluye el costo del viaje para el servicio de campo ni los viáticos.

Cualquier asistencia que proporcione o procure la Compañía para usted fuera de los términos, limitaciones o exclusiones de esta garantía limitada no constituirá una renuncia a dichos términos, limitaciones o exclusiones, ni dicha asistencia extenderá o renovará la garantía.

La Compañía no le reembolsará ningún gasto en el que usted haya incurrido al reparar o reemplazar cualquier Producto defectuoso, excepto los incurridos con el permiso previo por escrito de la Compañía.

**Cómo obtener el servicio cubierto por la garantía:** Para tener derecho al servicio cubierto por la garantía, usted debe (a) notificar a la Compañía a la dirección o número de teléfono que aparecen abajo en un plazo de siete (7) días después de descubrir el defecto cubierto, (b) proporcionar el número de modelo y la identificación de la pieza y (c) describir la naturaleza de cualquier defecto en el Producto o la pieza. En el momento de solicitar el servicio cubierto por la garantía, debe presentar un comprobante de la fecha de compra original. Si usted no puede presentar una copia de la garantía limitada original por escrito, entonces regirán los términos de la garantía limitada por escrito más actualizada de la compañía para su producto en particular. Las garantías limitadas por escrito más actualizadas para los productos de la Compañía se pueden encontrar en [www.broan.com](http://www.broan.com).

Broan-NuTone LLC 926 West State Street, Hartford, WI 53027 [www.broan.com](http://www.broan.com) 800-637-1453