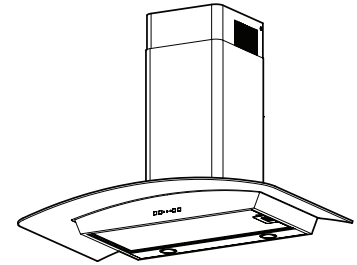


### EW56 SERIES RANGE HOODS



Gently curving glass canopy creates a dramatic, contemporary appearance and an open, airy feel.

#### FEATURES

- Wall mount
- Finish: 430 Stainless Steel #4 Brushed
- Widths: 29-7/8", 35-1/4"
- Telescopic flue accommodates 8' to 9' ceilings
- 6" round duct connector/backdraft damper
- 3-level halogen lighting (2 x 35 watt, 120V, Type MR16, GU10) (bulbs included)
- 4 push-button controls with LED speed indicator
- Compatible with optional RF remote control accessory (BCR1)
- Heat Sentry™ - automatically turns blower on to high speed when excess cooking heat is detected
- Delay timer control automatically shuts off range hood after 10 minutes
- Filter clean reminder
- 3-speed single centrifugal blower
- Dishwasher-safe filter features a quick-release latch
- Cord-connected
- For indoor use only

#### OPTIONS

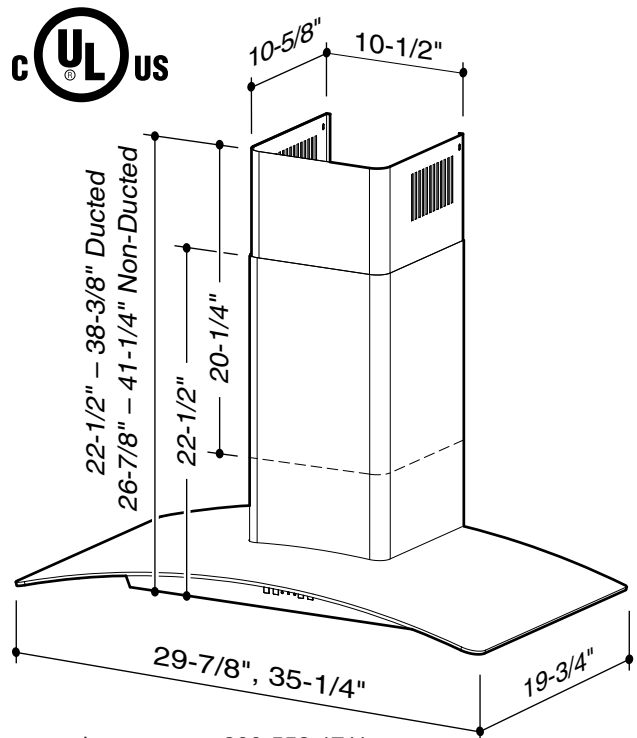
- Replacement grease filters available
- Flue extension for 9-ft. to 10-ft. ceiling (Model FXNE56SS) (ducted or non-ducted)
- Convertible to non-ducted operation - requires non-duct kit Model RKE56 (sold separately)
- Replacement non-ducted recirculating filters available (Model FILTERE56FL)
- Make-up air damper - MD6T (6" duct), MD8T (8" duct)
- Hand-held remote control - BCR1

#### SPECIFICATIONS

VOLTS	AMPS	CFM	SONES	DUCT
120	2.88	500 (high) 200 (low)	10.5 (high) 2.5 (low)	6" round



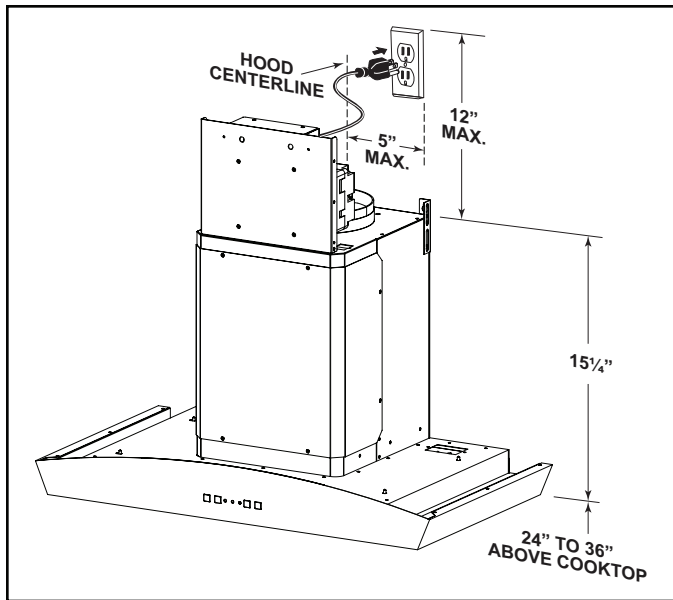
HVI-2100 CERTIFIED RATINGS comply with new testing technologies and procedures prescribed by the Home Ventilating Institute, for off-the-shelf products, as they are available to consumers. Product performance is rated at 0.1 in. static pressure, based on tests conducted in a state-of-the-art test laboratory. Sones are a measure of humanly-perceived loudness, based on laboratory measurements.



Broan-NuTone LLC Hartford, Wisconsin www.broan.com 800-558-1711  
 Broan-NuTone Canada Mississauga, Ontario www.broan.ca 877-896-1119

REFERENCE	QTY.	REMARKS	Project
			Location
			Architect
			Engineer
			Contractor
			Submitted by <span style="float: right;">Date</span>

# EW56 SERIES WIRING

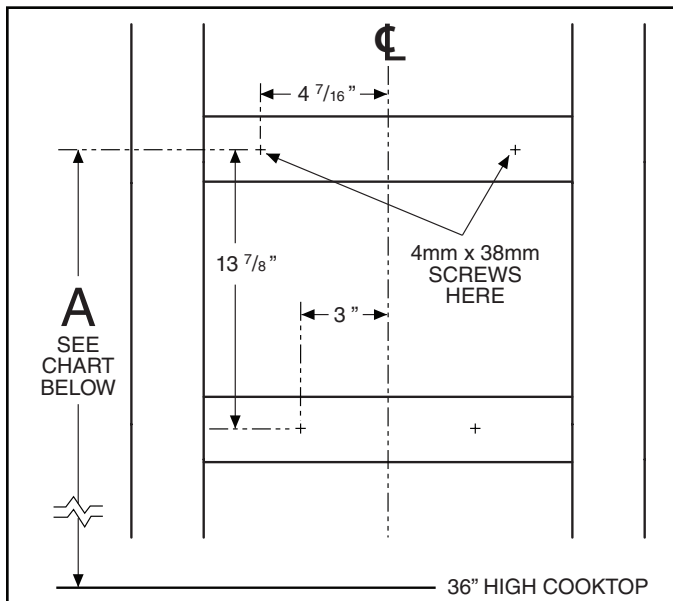


## GROUNDING INSTRUCTIONS

This appliance must be grounded. In the event of an electrical short circuit, grounding reduces the risk of electric shock by providing an escape wire for the electric current. This appliance is equipped with a cord having a grounding wire with a grounding plug. The plug must be plugged into an outlet that is properly installed and grounded.

Position the electrical outlet within the space covered by the decorative flue and where it will not interfere with the round duct. Make sure the outlet is no further than 12" from the top of the hood chassis and that the outlet does not interfere with a mounting bracket fastening area or where the decorative flue touches the wall.

# EW56 SERIES MOUNTING



1. Construct wood wall framing that is flush with interior surface of wall studs. Make sure the framing is centered over installation location.

## NOTE

Minimum hood distance above cooktop must not be less than 24". A maximum of 36" above the cooktop is highly recommended for best capture of cooking impurities. Distances over 36" are at the installer and user's discretion; and if ceiling height and flue length permit. 9-ft. to 10-ft. ceilings may require Flue Extension Model FXNE56SS, depending on installation heights (purchase separately). See chart below for additional installation height information.

2. After wall surface is finished, fasten (2) 4mm x 38mm screws at the locations shown above. DO NOT TIGHTEN screws all the way.

Desired Hood Distance (Above 36" High Cooktop)

Ceiling Height	24"	25"	26"	27"	28"	29"	30"	31"	32"	33"	34"	35"	36"
	Upper Mounting Screws Location (Distance above 36" High Cooktop - (Dimension "A")												
8 Feet	39-7/8"	40-7/8"	41-7/8"	42-7/8"	43-7/8"	44-7/8"	45-7/8"	46-7/8"	47-7/8"	48-7/8"	*49-7/8"	*50-7/8"	*51-7/8"
9 Feet								**46-7/8"	**47-7/8"	**48-7/8"	49-7/8"	50-7/8"	51-7/8"
9 Feet with FXNE56SS	39-7/8"	40-7/8"	41-7/8"	42-7/8"	43-7/8"	44-7/8"	45-7/8"						
10 Feet with FXNE56SS	39-7/8"	40-7/8"	41-7/8"	42-7/8"	43-7/8"	44-7/8"	45-7/8"	46-7/8"	47-7/8"	48-7/8"	49-7/8"	50-7/8"	51-7/8"

\* Not recommended for non-ducted configuration

\*\* Non-duct recirculation louvers will be exposed in ducted configuration



Broan-NuTone LLC Hartford, Wisconsin www.broan.com 800-558-1711  
Broan-NuTone Canada Mississauga, Ontario www.broan.ca 877-896-1119