



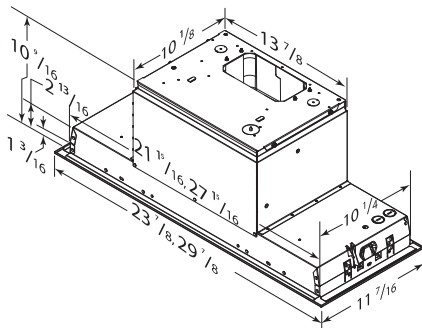
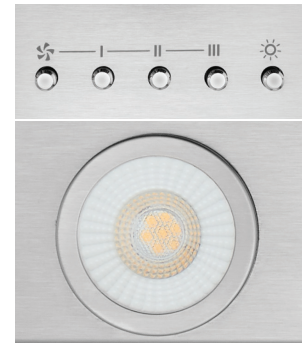
BBN2 Series



STAINLESS
24", 30"
 BBN2243SS
 BBN2303SS

The BBN2 powerpack insert series is ideal for cabinet installations. The integrated one-piece design protects the full bottom of your cabinetry with a flush appearance and depth adjustability. Bright LED lighting enhances your cooking experience, while the 3-speed push button control makes operation easy.

- 350 MAX Blower CFM, 1.0 sone at normal speed.
- Three-speed, push-button control includes a dedicated on/off.
- Bright 1-level LED lighting modules illuminate evenly and are tested in cooking environments to ensure long life without dimming.
- Heat Sentry™ detects excessive heat and adjusts blower speed to high automatically.
- EZ1 clips make it easy for single-person installation.
- Easy-to-clean, fully enclosed bottom with dishwasher-safe, aluminum-mesh filter.
- Optional non-duct operation using HARKBN24 or HARKBN30 non-duct kit and charcoal filter, sold separately.
- Works with optional Universal Make-up Air Dampers.
- Stainless liner extension accommodates up to 13" deep cabinets. Extensions available to accommodate cabinets up to 15" deep.



SPECIFICATIONS

Widths	MAX Blower CFM*	Blower	Sones†	Volts	Amps	Duct
23-7/8" 29-7/8"	350	Internal	1.0	120	2.3	3-1/4" x 10" (V, H) or 6" RD

* MAX Blower CFM indicates hood blower performance in open air. Find HVI rated performance for this model in the product specification sheet at Broan-NuTone.com

† Sones at normal (or working) speed.

OPTIONAL ACCESSORIES

Non-Duct Kit	Non-Duct Charcoal Filter	Replacement Aluminum Filter	LED	Make-Up Air Dampers	Fresh Air Inlets	Liner Extensions
HARKBN24 HARKBN30	S99010464-124 S99010464-130	S99010400-124 S99010400-130	Included	MD6TU MD8TU MD10TU	641FA 643FA 610FA	HADTBN24 HADTBN30



BROAN-NUTONE.COM | 800-558-1711 | 926 WEST STATE STREET, HARTFORD, WISCONSIN 53027