

DESCRIPTION

- UL Listed for commercial applications
- Water-tight electrical terminal box
- Totally enclosed motor
- High-efficiency motorized impeller
- Automatic reset thermal overload protection

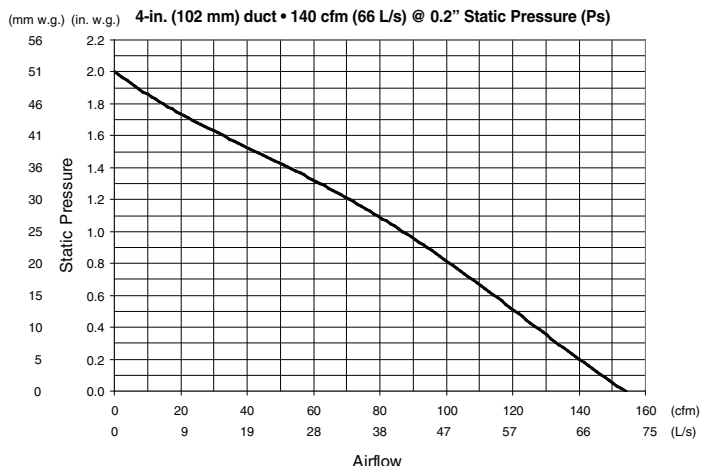
DESIGN FEATURES

Air Delivery: 140 cfm (66 L/s) at 0.2" Ps
Sound Level: N/A - unit is remotely mounted
Amps: 0.7
Housing: UV-resistant, durable polycarbonate plastic
Motor: External rotor, ball bearing, 115 VAC, 60Hz
Blower Wheel: Backward inclined centrifugal
Duct Size: 4" (102 mm) or 5" (127 mm) diameter

INSTALLATION

- Not for use in cooking areas.
- Approved for mounting in wet locations (outdoors).
- Suitable for use over a tub or shower when connected to a GFCI-protected branch circuit.
- Suitable for use with solid-state speed controls.

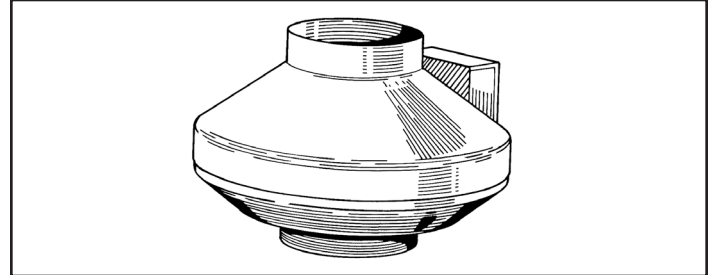
AIR PERFORMANCE CURVE



HVI-2100 CERTIFIED RATINGS comply with new testing technologies and procedures prescribed by the Home Ventilating Institute, for off-the-shelf products, as they are available to consumers. Product performance is rated at 0.2 in. static pressure, based on tests conducted in a state-of-the-art test laboratory.

In-Line Radon Fan

MODEL ILRF



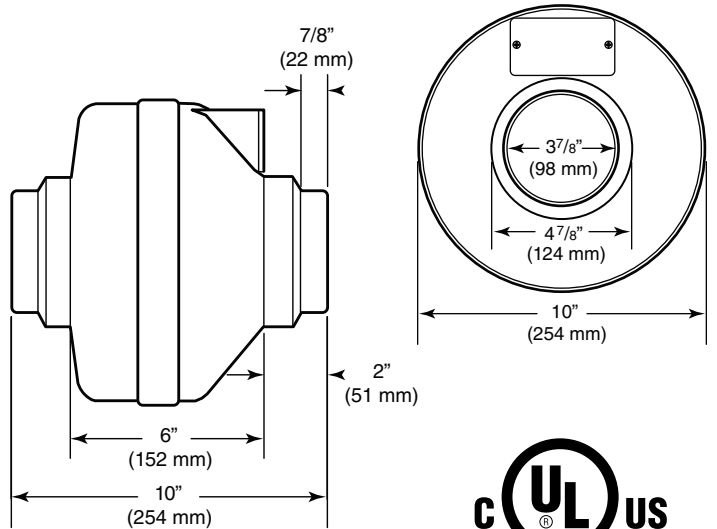
ARCHITECT'S SPECIFICATIONS

Unit shall be NuTone Model ILRF.

Housing shall be constructed from UV resistant durable plastic. Unit shall include a watertight electrical terminal box and factory-sealing to prevent water damage to interior. Unit shall be approved for use in wet locations.

Unit shall include a motorized impeller for high-efficiency performance, with automatic reset thermal overload protection.

Air delivery shall be no less than 140 cfm (66 L/s). Air rating shall be conducted at an HVI recognized testing facility. Unit shall be cULus Listed.



Broan-NuTone LLC Hartford, Wisconsin www.nutone.com 888-336-3948
 Broan-NuTone Canada, Inc. Mississauga, Ontario www.nutone.ca 877-896-1119

REFERENCE	QTY.	REMARKS	Project
			Location
			Architect
			Engineer
			Contractor
			Submitted by
			Date