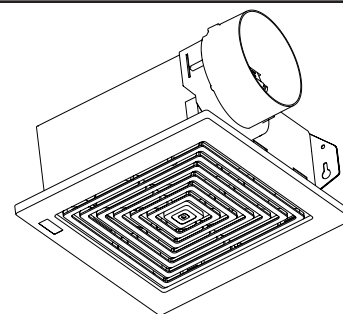


MODEL 6714 CEILING/WALL FAN



FEATURES

GRILLE:

- White polymeric – blends well with any decor
- Torsion spring grille mounting - no tools required
- Metal grille kit available - purchase separately

BLOWER:

- Plug-in, permanently lubricated motor
- Broan-designed polymeric blower wheel
- Snap in/out assembly for easy cleaning - no screws to drive or drop

HOUSING:

- Compact, 25 gage galvanized steel, attaches easily to wall or ceiling joists. Cannot be installed in walls using 2" x 4" joists
- Double strength mounting flanges with keyhole slots
- Removable wiring cover - make connections away from tight corners
- No electrical knockout to remove
- Polymeric duct fitting with tapered sleeve for easy, positive duct connection
- Quiet polymeric damper prevents cold backdrafts - no metallic clatter
- U.L. Listed for use over bathtubs and showers when connected to a GFCI protected branch circuit (ceiling mount only).

CONTROLS (purchase separately):

- Refer to the Broan ventilation fan catalog for a complete line of accessories to effectively adapt this fan to your construction requirements.

Available only as follows:

- **MODEL 6884H Project Housing Pack (18 per carton) combined with MODEL 1671F Project Finish Pack (6 per carton)**

TYPICAL SPECIFICATION

Fan shall be Broan Model 6714.

Fan shall have galvanized steel housing with double-strength mounting flanges. It shall be ducted vertically (horizontally) to a roof cap (wall cap).

Blower assembly shall be removable and permanently lubricated.

Air delivery shall be no less than 70 CFM and sound level no greater than 6.0 sones. All air and sound ratings shall be certified by HVI.

Non-metallic damper/duct connector shall be included.

Fan shall be U.L. Listed for use over bathtubs and showers when connected to a GFCI protected branch circuit.



Broan LLC Hartford, Wisconsin www.broan-nutone.com 800-558-1711

REFERENCE	QTY.	REMARKS	Project	
			Location	
			Architect	
			Engineer	
			Contractor	
			Submitted by	Date

PERFORMANCE RATINGS

Model 6714 CEILING/WALL FAN

HVI PERFORMANCE

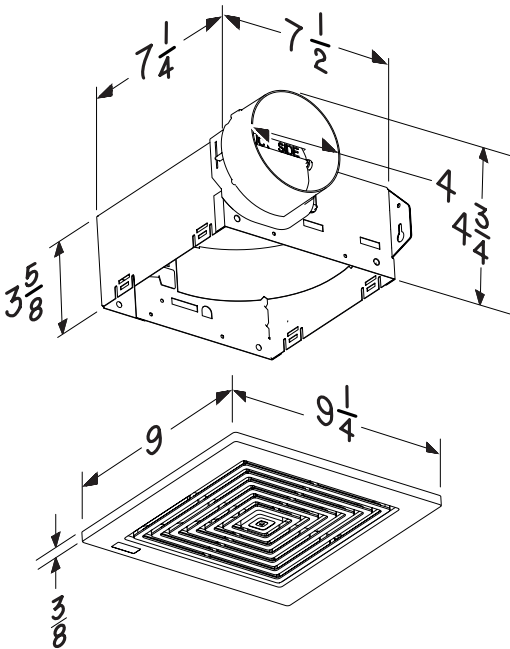
Airflow (CFM)	Sound (Sones)
70	6.0



HVI-2100 CERTIFIED RATINGS comply with new testing technologies and procedures prescribed by the Home Ventilating Institute, for off-the-shelf products, as they are available to consumers. Product performance is rated at 0.1 in. static pressure, based on tests conducted in a state-of-the-art test laboratory. Sones are a measure of humanly-perceived loudness, based on laboratory measurements.

ELECTRICAL

Volts	Hz	Amps
120	60	1.15



NOTE: Dimensions shown are in inches.

AIR FLOW PERFORMANCE

