



## Additional Information for Range Hoods meeting ADA Compliance

Broan, NuTone and Venmar branded residential range hoods can be installed to comply with Sections 308 and 309 of ADA Guidelines, when used with appropriately mounted controls installed at 15" to 48" above the floor and control access should not require reaching over a cooking appliance.

The following range hoods can work in an ADA Compliant situation when the range hood is wired to operate from a dedicated, standard electrical wall switch. To facilitate this application, share the information on the following pages with your electrician when preparing for the installation.

### THIS PROCEDURE APPLIES TO THE RANGE HOOD SERIES LISTED AT THE BOTTOM OF THIS PAGE

-----

### Information supplémentaire concernant la conformité des hottes de cuisinière aux normes de l'ADA (*Americans with Disabilities Act*)

Les hottes de cuisinière résidentielles de marques Broan, NuTone et Venmar peuvent être installées en conformité avec les Sections 308 et 309 des directives de l'ADA. Pour être conformes, elles doivent être reliées à une commande murale qui est installée entre 15 po et 48 po (38 à 114 cm) au-dessus du plancher et qui est accessible sans avoir à passer au-dessus d'une surface de cuisson.

Les modèles de hottes suivants peuvent être conformes lorsque la hotte est branchée de façon à être actionnée au moyen d'une commande murale standard dédiée. Pour faciliter ce type d'installation, partager l'information des pages suivantes avec votre électricien lors de la préparation de l'installation.

#### CETTE PROCÉDURE CONVIENT AUX HOTTES DE CUISINIÈRE DES SÉRIE SUIVANTES:

**Broan:** BCDF1, BKDB1, BCDA1, BKDD1, BKDEG1, BKDF1, CLDA1, CRDEG1, BNDD1, BNDF1, BQDD1, BCDH1, BCDJ1, BCLB1, BKDJ1, BKDN1, BQLA1, CLDH1, CLLB1, CRDN1.

**Broan Elite:** ALT2, ALT3, ALT4, EPLEC1, EQLD1, ERLE1, TEN2, SPE1.

**EuroDesign:** EDJDD1, EDJDN1, EDJLD1.

**NuTone:** AHDA1, AVDF1, AVDN1, NCDJ1, NCLB1, NKDF1, NKDN1, NPLEC1, NQDD1, NQLA1, NCDA1, NRLE1.

**Venmar Bistro:** VBLDF1, VBLDN1, VBNDH1, VBNLB1.

**Venmar Chef:** VCNDD1, VCQDD1, VCQLA1.

ADA LOW VOLTAGE WIRING INSTRUCTIONS FOR SINGLE BLOWER RANGE HOODS (PAGE 1 AND 2)  
AND DOUBLE BLOWER RANGE HOODS (PAGE 3 TO 5)

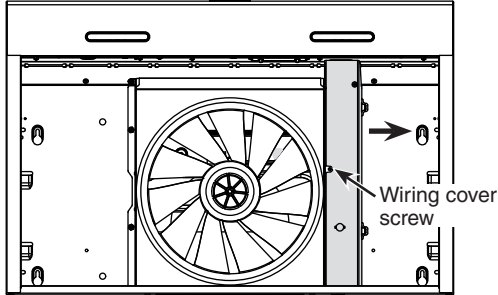
**⚠ WARNING**

**For residential (domestic) installation only. Before proceeding, switch power off at service panel and lock service disconnecting means to prevent power from being switched on accidentally. Installation work and electrical wiring must be done by qualified person(s) in accordance with all applicable codes and standards, including fire-rated construction codes and standards. Also, it is recommended to wear safety glasses and gloves.**

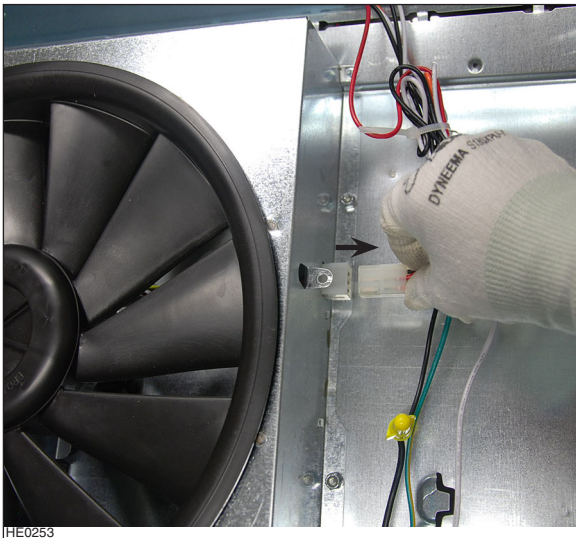
NOTE: The illustrations in this procedure are generic; some hood details may slightly differ from the hood you have on hand but the procedure itself applies to all single blower range hoods listed in this document (see page 2).

- ❶ Remove filters from the hood and set them aside.
- ❷ Fold back the control access panel to access the control panel connections.

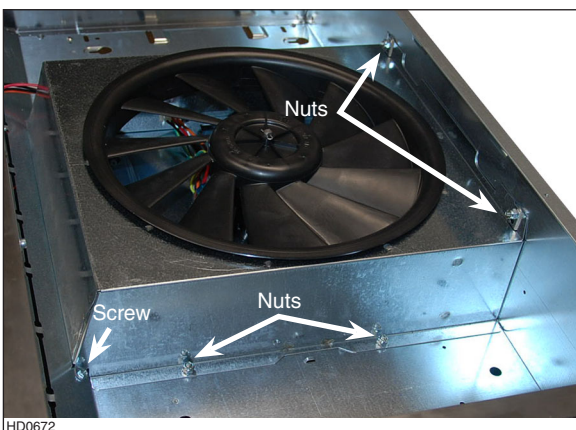
- ❸ Remove the wiring cover (shaded part in illustration below) retaining screw. Slide the wiring cover out of the hood and set it aside with its screw.



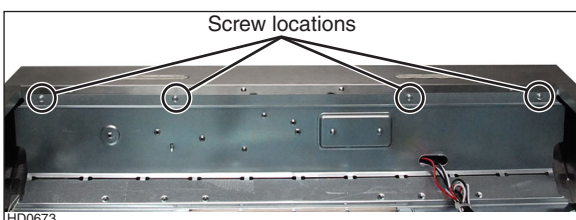
- ❹ Unplug the blower connector from the main harness.



- ❺ Using a 11/32" socket, remove the 6 nuts retaining the blower chamber to the hood assembly (2 nuts on inner back and 2 other nuts per sides), then use a Phillips no. 2 screwdriver to remove both front corner screws. See picture below for nuts and screws locations. Pull the blower chamber out of the hood assembly and set it aside with its retaining screws and nuts.



- ❻ Remove and set aside the 4 front screws retaining the control access panel to the hood.

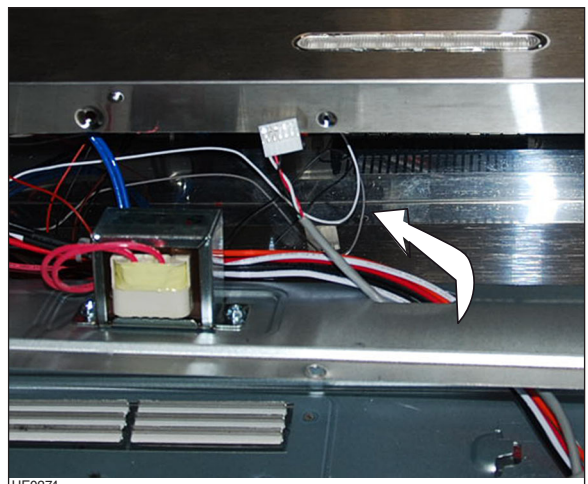


HD0674

**CAUTION**

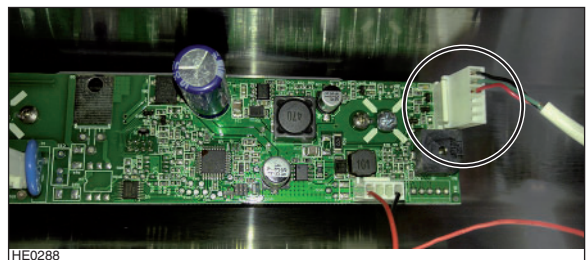
**Use exclusively the cable included in this kit.**

- ❼ Measure 4 feet from the connector end of the provided ADA cable and cut the cable. Set aside the remaining 15-ft. cable section without connector; it will be used later (refer to step ❸). Run the connector of the ADA cable section through the wiring cable hole on the bent plate.



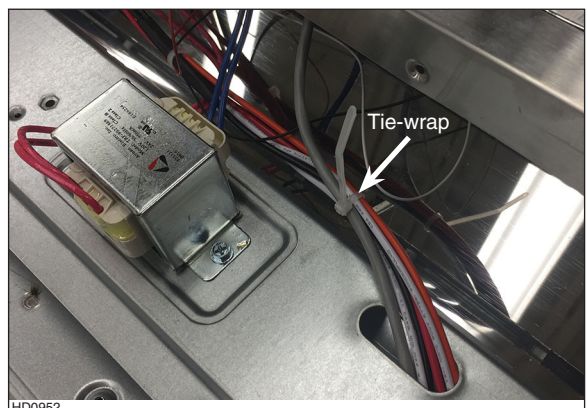
HE0274

- ❽ Connect the ADA cable connector to the 6-pin connector on control board (circled on picture below).



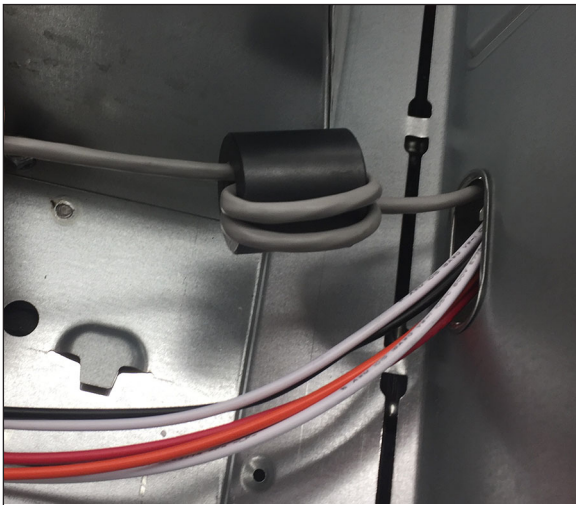
HE0288

- ❾ Secure the ADA cable section to the main harness using a tie-wrap.



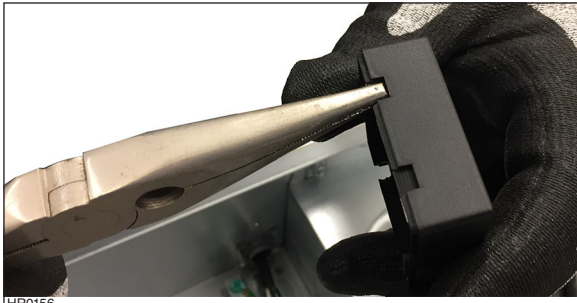
HD0952

- 10 Close the control access panel and reinstall the blower by reversing steps 6 to 3 on first page. Run the ADA cable section through the provided ferrite, making 2 loops. The ferrite must be as close as possible to the access panel.



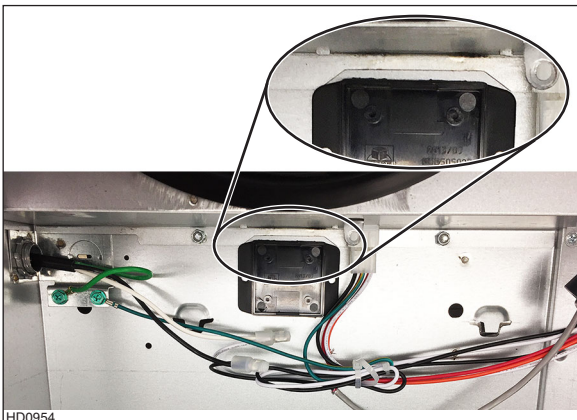
HD0953

- 11 Open the provided connection box. Using long nose pliers, break away 2 cable entry notches on the lid (one per side).



HR0156

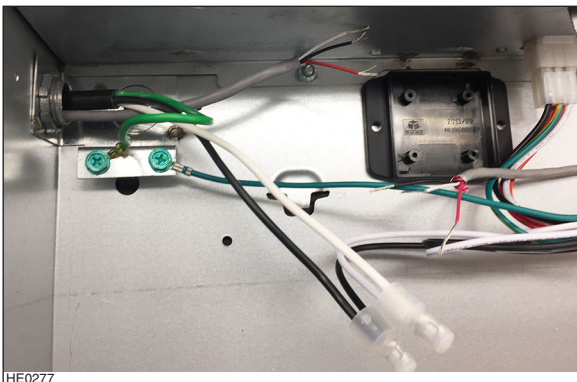
- 12 Peel off the paper backing on back of connection box base and install the base at the location shown. Make sure that the surface is clean. This will place the connection box within the Wire Cover area near the blower connector. **IMPORTANT NOTE:** The base must be positioned flush to the notches (see circled area below).



HD0954

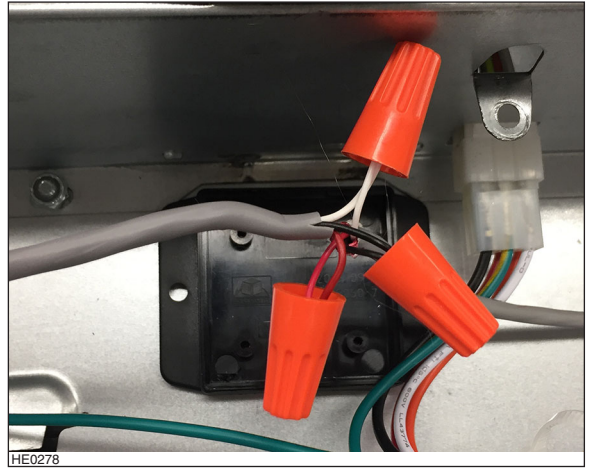
- 13 Use the remaining cable length of 15 ft. (from step 7) to connect to the remote ADA switch outside the hood (step 17). **IMPORTANT:** Leave a cable length of at least 12" that protrudes from the wall (at the same location of the 120 V house wiring). Run one end of the remaining section of the ADA cable through the range hood wire clamp, along with the power cable, giving enough length to make the connections inside the box. Tighten the wire clamp, then strip the end of the 3 wires from both ADA cable ends.

NOTE: The wire clamp must be suitable for 2 cables.



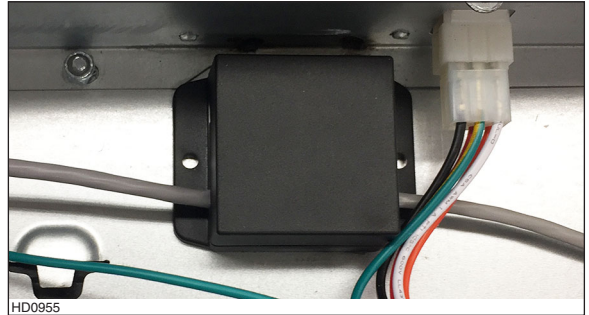
HE0277

- 14 Using small UL approved wire nuts (suitable for 22 AWG wires), connect wires as follow: WHITE wire with WHITE wire, BLACK wire with BLACK wire and RED wire with RED wire.



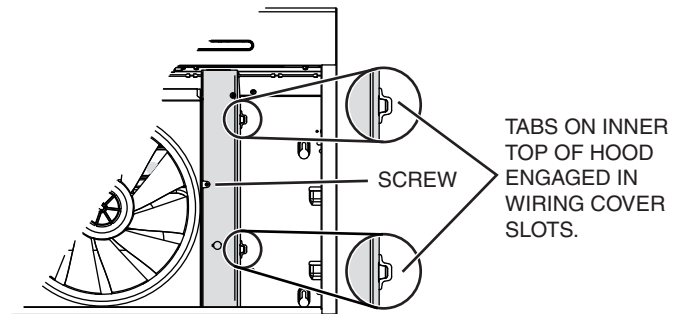
HE0278

- 15 Put the wire nuts inside the connection box base, then snap the connection box lid on its base, ensuring the ADA cable runs through the open notches.



HD0955

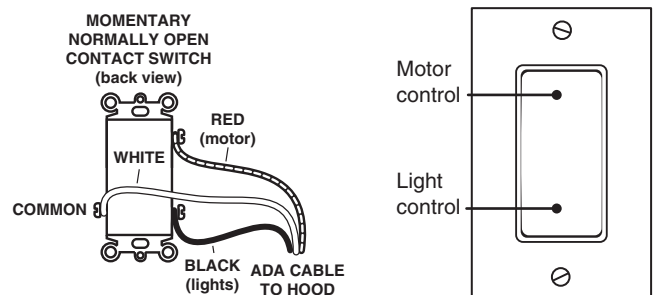
- 16 Reinstall the hood wiring cover and attach it to the hood using its retaining screw.



### CAUTION

Ensure both tabs on inner top of hood are engaged in their corresponding slots in wiring cover. Also, take care not to pinch wires while reinstalling wiring cover.

- 17 Install a momentary contact switch at a convenient place for the user. Connect the end without connector of the provided ADA cable to this switch as shown below:



### CAUTION

Use one SPDT normally open, momentary contact switch (shown in above diagram) or two SPST normally open, momentary contact switch.

- 18 Put back in place the hood filters and restore power to the range hood.

## RANGE HOOD OPERATION

NOTE: Use the control on the range hood to reset the filter maintenance indicator.

### Motor control

Press to turn ON the blower on LOW speed.

NOTE: When LOW speed is activated from OFF, the blower starts on MEDIUM speed for a very short lapse of time, and then resumes to LOW speed.

To change the blower speed, press on this button again until the desired speed is reached (from LOW to MEDIUM to HIGH speed to OFF).

### Light control

When lights are OFF, press once on this control to turn ON the lights on LOW intensity. Press another time to set the lights on HIGH intensity. Pressing another time after the HIGH setting will turn OFF the lights.

## THIS PROCEDURE APPLIES TO THE FOLLOWING RANGE HOOD SERIES

Broan Series: BCDA1, BCDF1, BKDB1, BKDD1, BKDEG1, BKDF1, BNDD1, BNDF1, BQDD1 CLDA1 and CRDEG1.

Broan Elite Series: ALT2 and TEN2.

EuroDesign Series: EDJDD1.

NuTone Series: AHDA1, AVDF1, NCDA1, NKDF1 and NQDD1.

Venmar Bistro Series: VBLDF1.

Venmar Chef Series: VCNDD1 and VCQDD1.

# ADA LOW VOLTAGE WIRING INSTRUCTIONS FOR DOUBLE BLOWER RANGE HOODS

## ⚠ WARNING

For residential (domestic) installation only. Before proceeding, switch power off at service panel and lock service disconnecting means to prevent power from being switched on accidentally. Installation work and electrical wiring must be done by qualified person(s) in accordance with all applicable codes and standards, including fire-rated construction codes and standards. Also, it is recommended to wear safety glasses and gloves.

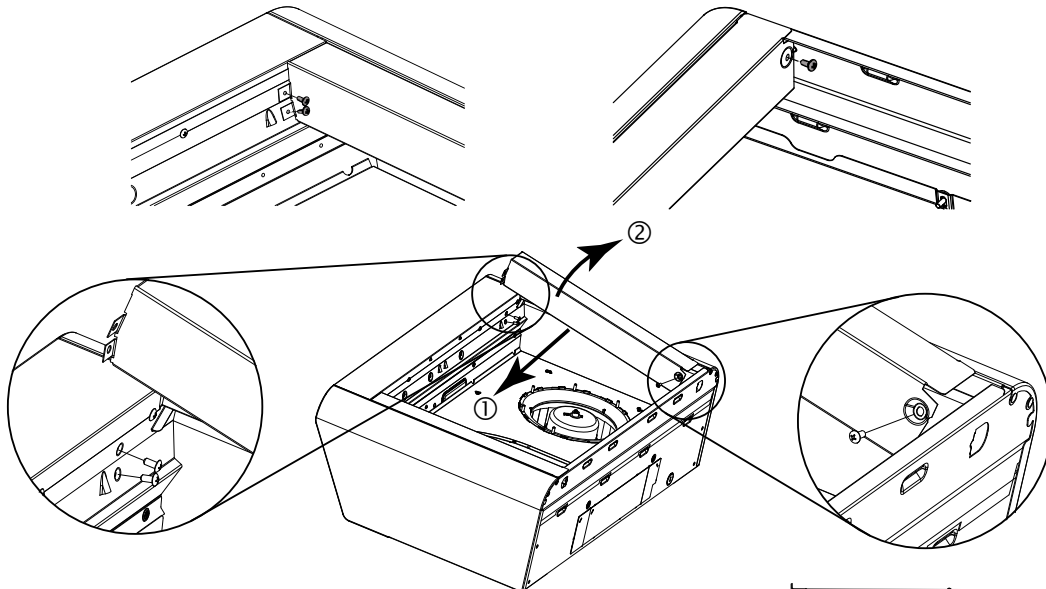
NOTE: The following procedure applies to the double blower range hood series listed on page 5.

### ACCESS TO RANGE HOOD MAIN HARNESS

Due to their particular design, some range hood series have a different way to access to their main harness. These range hood series are: EPLEC1, NPLEC1 and SPE1 series and ALT4, EDJLD1 and EQLD1 series. For all other range hood series, go to page 4.

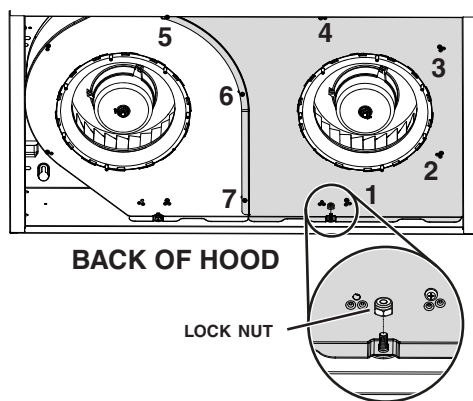
#### EPLEC1, NPLEC1 AND SPE1 SERIES

- ❶ Remove both filters from the hood and set them aside.
- ❷ Remove both side fillers by removing the 3 screws holding each one of them. Slide each one towards the center of the hood and tilt it up to remove it completely. Set the fillers and screws aside.



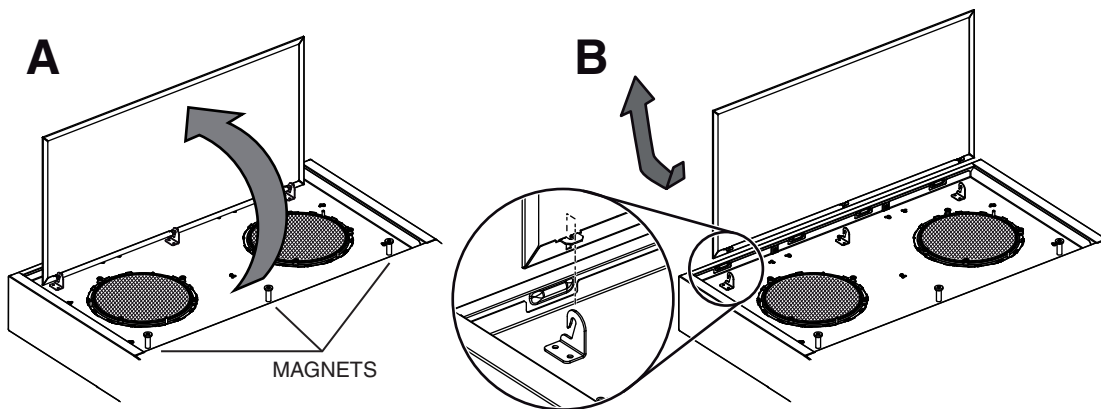
- ❸ Using a 11/32" nutdriver or socket, remove the lock nut retaining the flange of the right blower cover plate (shaded part on illustration at right) to the inner back of hood (see inset). Remove all cover plate retaining screws (7 screws), then set the blower cover along with its screws and nut aside.

NOTE: For 30 in.-wide hoods, slightly lift up the cover plate before sliding it towards the left to remove it.

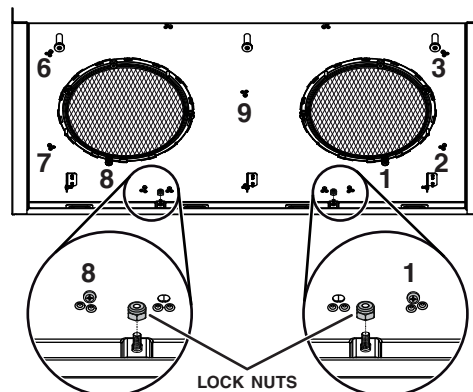


#### ALT4, EDJLD1 AND EQLD1 SERIES

- ❶ Grab the front edge of the panel and lift it to detach the panel from the front magnets (A). Remove the panel from the hood by tilting it slightly to disengage it from 3 hooks (B), then set aside the panel.



- ❷ Using a 11/32" nutdriver or socket, remove both lock nuts retaining the flange of the cover plate to the inner back of hood (see insets). Remove the cover plate retaining screws (9 screws), then set the blowers cover along with its screws and nuts aside.



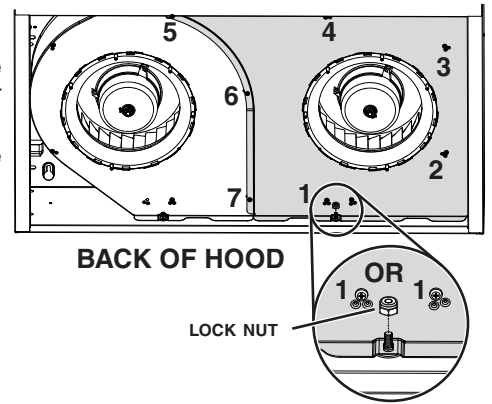
## ACCESS TO RANGE HOOD MAIN HARNESS (CONT'D)

### ALL OTHER RANGE HOOD SERIES

① Remove filters from the hood and set them aside.

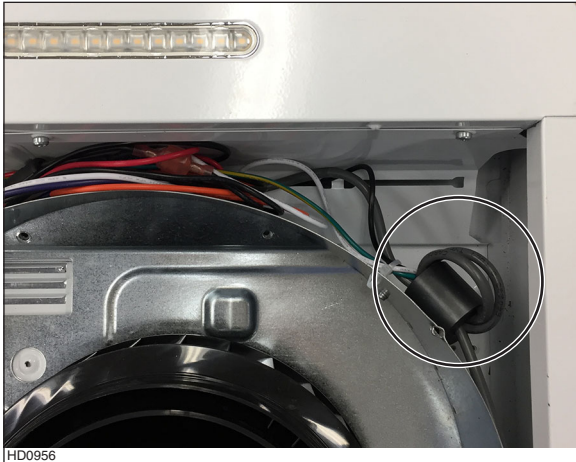
② Using a 11/32" nutdriver or socket, remove the lock nut retaining the flange of the right cover plate (shaded part on illustration at right) to the inner back of hood (see inset). Remove the right cover plate retaining screws (7 screws), then set the blower cover along with its screws and nut aside.

NOTE: According to range hood models, screw 1 location may vary; it can be on right side of the +lock nut or on left side (see inset).

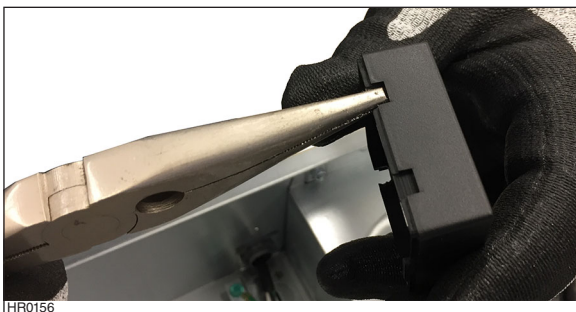


### ADA CABLE CONNECTIONS

① Run the ADA cable (GREY cable coming out from the control access panel) through the provided ferrite, making 2 loops.



② Open the provided connection box. Using long nose pliers, break away 2 cable entry notches on the lid (one per side).



③ Peel off the paper backing on back of connection box base and install this base on the inner back of the hood, near the power cable knock out, as shown below. Make sure that the surface is clean before installing the box.

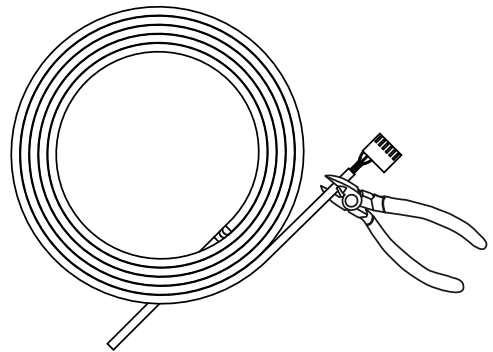


### CAUTION

**Use exclusively the cable included in this kit.**

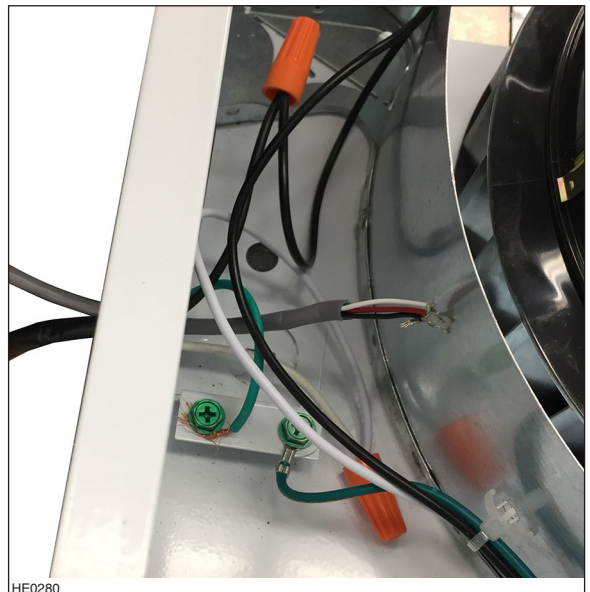
④ Cut off and discard the connector at the end of the provided ADA cable. Use this cable to connect to the remote ADA switch outside the hood (step ⑤).

IMPORTANT: leave a cable length of at least 12" that protrudes from the wall (at the same location of the 120 V house wiring).

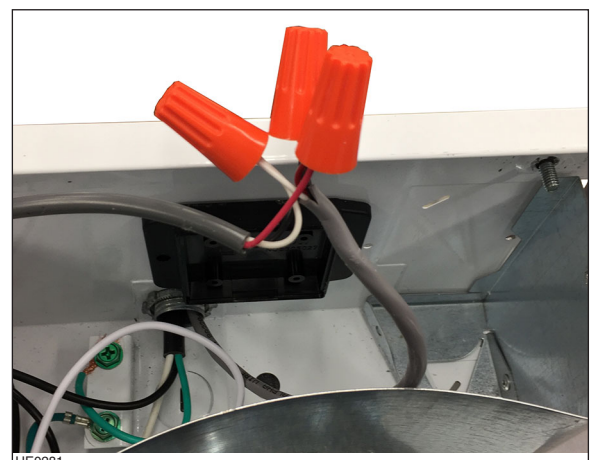


⑤ Run one end of the ADA cable through the range hood wire clamp, along with the power cable, giving enough length to make the connection inside the box. Tighten the wire clamp, then strip the end of the 3 wires from provided ADA cable.

NOTE: The wire clamp must be suitable for 2 cables.



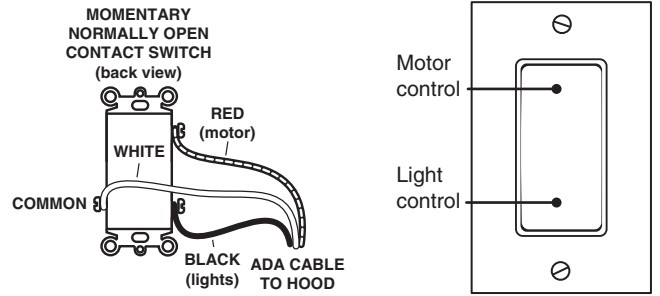
⑥ Strip the end of the 3 wires from GREY cable (the one with ferrite), then using small UL approved wire nuts (suitable for 22 AWG wires), connect these wires with ADA cable wires. Connect as follow: WHITE wire with WHITE wire, BLACK wire with BLACK wire and RED wire with RED wire.



7 Put the wire nuts inside the connection box base, then snap the connection box lid on its base, ensuring the ADA cable runs through the open notches.



8 Install a momentary contact switch at a convenient place for the user. Connect the end of the provided ADA cable to this switch as shown below:



**CAUTION**  
Use one SPDT normally open, momentary contact switch (shown in above diagram) or two SPST, normally open momentary contact switch.

- 9 Reinstall the blower cover and filters, by reversing appropriate steps according to the range hood series (see page 3 or 4).
- 10 Restore power to the range hood.

**THIS PROCEDURE APPLIES TO THE FOLLOWING RANGE HOOD SERIES**

Broan Series: BCDH1, BCDJ1, BCLB1, BKDJ1, BKDN1, BQLA1, CLDH1, CLLB1 and CRDN1.

Broan Elite Series: ALT3, ALT4, EPLEC1, EQLD1, ERLE1 and SPE1.

EuroDesign Series: EDJD1 and EDJLD1.

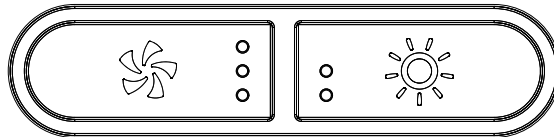
NuTone Series: AVDN1, NCDJ1, NCLB1, NKDN1, NPLEC1, NQLA1 and NRLE1.

Venmar Bistro Series: VBLDN1, VBNDH1 and VBNLB1.

Venmar Chef Series: VCQLA1.

**RANGE HOOD OPERATION**

**RANGE HOODS WITH CAPTOUCH CONTROL**



NOTE: Use the control on the range hood to reset the filter maintenance indicator.

**MOTOR CONTROL**

Press to turn ON the blower on LOW speed.

NOTE: When LOW speed is activated from OFF, the blower starts on MEDIUM speed for a very short lapse of time, and then resumes to LOW speed.

To change the blower speed, press on this button again until the desired speed is reached (from LOW to MEDIUM to HIGH speed to OFF).

**LIGHT CONTROL**

When lights are OFF, press once on this control to turn ON the lights on LOW intensity. Press another time to set the lights on HIGH intensity. Pressing another time after the HIGH setting will turn OFF the lights.

**RANGE HOODS WITH LCD CONTROL**



- NOTES: 1. The Delay OFF and the Master ON/OFF functions are not available when using the momentary contact switch.  
2. Use the control on the range hood to reset the filter maintenance indicator.

**MOTOR CONTROL**

Press to turn ON the blower on LOW speed.

NOTE: When LOW speed is activated from OFF, the blower starts on MEDIUM speed for a very short lapse of time, and then resumes to LOW speed.

To change the blower speed, press on this button again until the desired speed is reached (from LOW to MEDIUM to HIGH speed to OFF).

**LIGHT CONTROL**

When lights are OFF, press once on this control to turn ON the lights on LOW intensity. Press another time to set the lights on MEDIUM intensity. Press another time to set the lights on HIGH intensity. Pressing another time after the HIGH setting will turn OFF the lights.

**RANGE HOODS WITH INFRARED CONTROL**



- NOTES: 1. The Delay OFF and the Master ON/OFF functions are not available when using the momentary contact switch.  
2. Use the control on the range hood to reset the filter maintenance indicator.

**MOTOR CONTROL**

Press to turn ON the blower on LOW speed.

NOTE: When LOW speed is activated from OFF, the blower starts on MEDIUM speed for a very short lapse of time, and then resumes to LOW speed.

To change the blower speed, press on this button again until the desired speed is reached (from LOW to MEDIUM to HIGH speed to OFF).

**LIGHT CONTROL**

When lights are OFF, press once on this control to turn ON the lights on LOW intensity.

To change the light intensity, press on this button again until the desired intensity is reached (from LOW to MEDIUM to HIGH to OFF).

# INSTRUCTIONS DE CÂBLAGE BASSE TENSION CONFORME À L'ADA POUR HOTTES À VENTILATEUR SIMPLE (PAGES 6 ET 7) ET HOTTES À VENTILATEUR DOUBLE (PAGES 8 À 10)

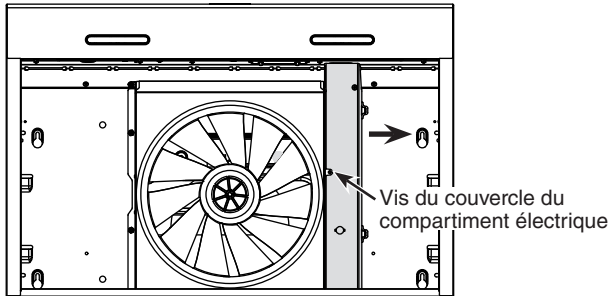
## ⚠ AVERTISSEMENT

**Pour installation résidentielle (domestique) seulement. Avant de commencer, couper le courant au panneau d'alimentation et en verrouiller l'accès afin d'éviter une remise en marche accidentelle. Les travaux d'installation et de raccordement électrique doivent être effectués par une personne qualifiée, conformément aux codes et aux normes de construction, y compris ceux sur la protection contre les incendies. De plus, il est recommandé de porter des lunettes et des gants de sécurité.**

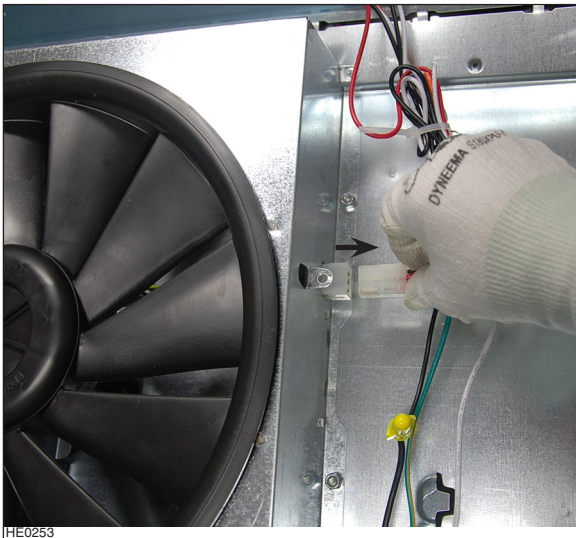
NOTE: Les illustrations de cette procédure sont génériques. Même si certains détails peuvent différer légèrement de la hotte que vous avez en main, cette procédure s'applique à toutes les hottes à ventilateur simple citées dans le présent document (voir page 7).

- ❶ Retirer les filtres de la hotte et les mettre de côté.
- ❷ Plier la plaque vers l'arrière pour accéder aux connexions du panneau de commande.

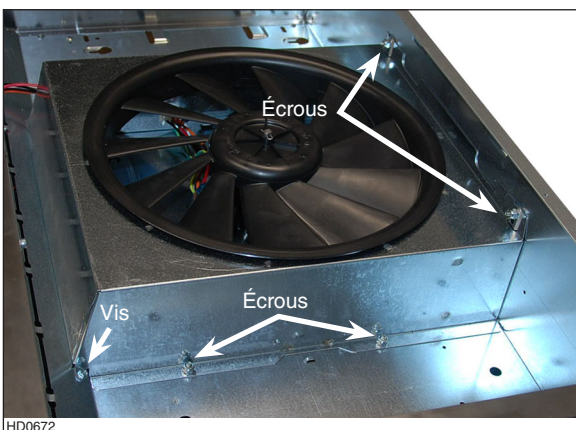
- ❸ Retirer la vis de retenue du couvercle du compartiment électrique (en gris dans l'illustration ci-dessous). Retirer le couvercle de la hotte et le mettre de côté avec sa vis.



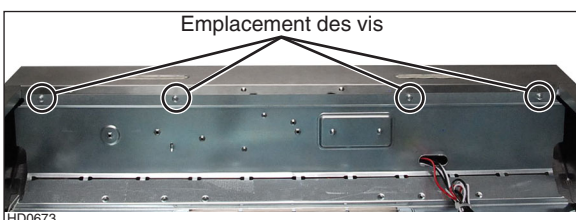
- ❹ Débrancher le connecteur du ventilateur du faisceau électrique principal.



- ❺ À l'aide d'une douille de 11/32 po, retirer les 6 écrous retenant le caisson du ventilateur à la hotte (2 écrous au dos intérieur de la hotte et 2 autres écrous par côtés), puis utiliser un tournevis Phillips n° 2 pour retirer les 2 vis des coins avant. Voir la photo ci-dessous pour l'emplacement des écrous et des vis. Retirer le caisson du ventilateur de la hotte et le mettre de côté avec ses vis et ses écrous.



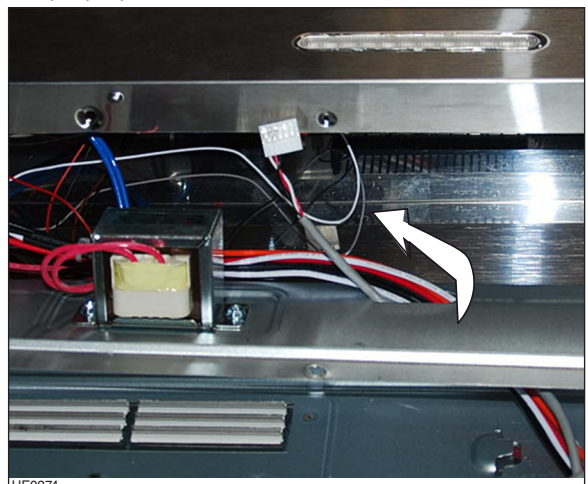
- ❻ Retirer et mettre de côté les 4 vis avant retenant la plaque d'accès au panneau de commande de la hotte.



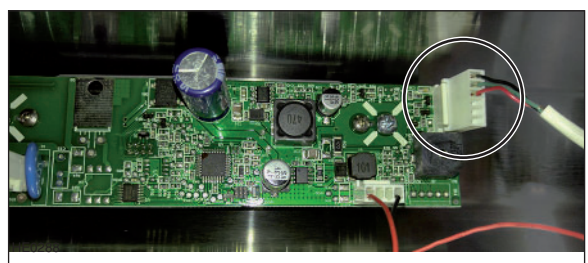
## ATTENTION

**Utiliser uniquement le câble compris dans la trousse.**

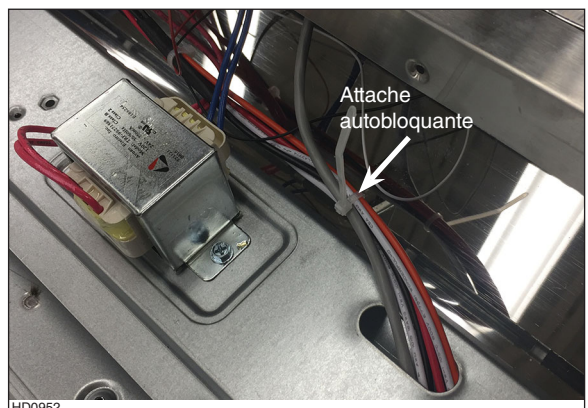
- ❼ Couper le câble conforme à l'ADA fourni à 4 pi à partir du connecteur. Mettre de côté la section restante du câble (15 pi) sans connecteur pour plus tard (étape ❹). Passer le connecteur dans le trou prévu à cet effet dans la plaque pliée.



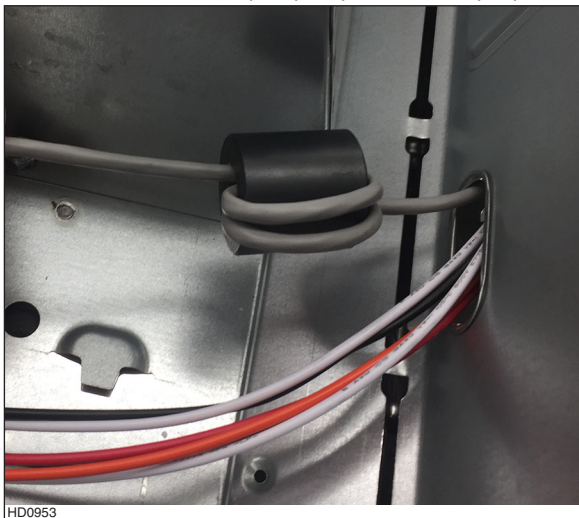
- ❽ Relier le connecteur du câble conforme à l'ADA au connecteur à 6 broches sur la carte électronique (encerclé dans l'image ci-dessous).



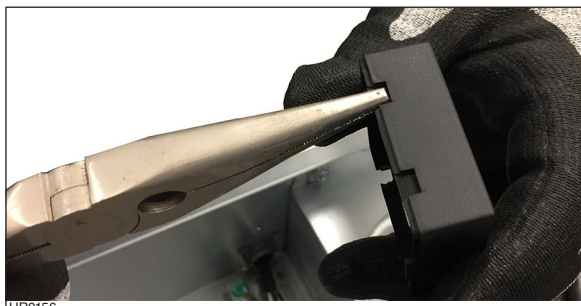
- ❾ Joindre le câble au faisceau principal avec une attache autobloquante.



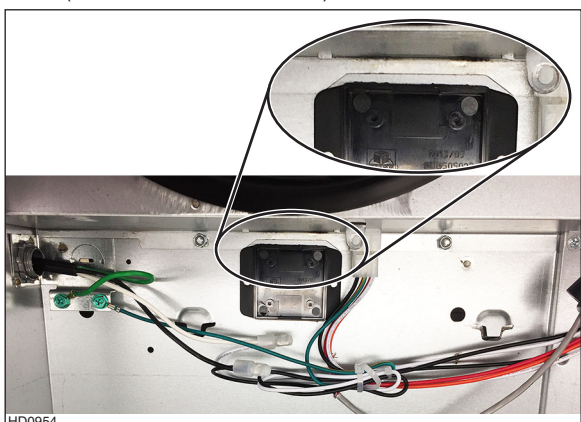
- 10 Fermer la plaque d'accès au panneau de commande et réinstaller le ventilateur en reprenant les étapes 3 à 6 de la première page dans l'ordre inverse. Passer le câble dans la ferrite fournie en faisant deux boucles. La ferrite doit être le plus près possible de la plaque d'accès.



- 11 Ouvrir la boîte de connexion fournie. À l'aide de pinces à long bec, dégager 2 encoches pour l'entrée des câbles sur le couvercle (un par côté).

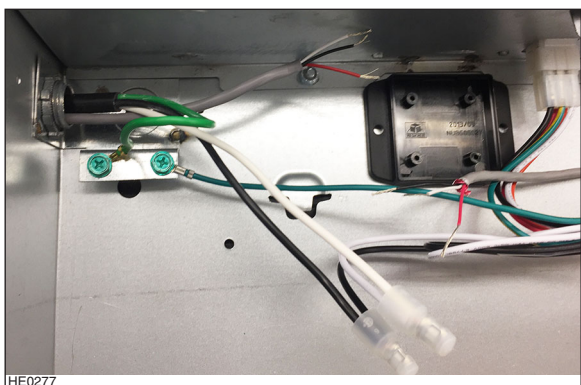


- 12 Décoller le papier à la base de la boîte de connexion et la coller à l'endroit désigné ci-dessous, soit vis-à-vis du couvercle du compartiment électrique près du connecteur du ventilateur. S'assurer d'abord que la surface est propre. IMPORTANT : La base doit être bien alignée avec les encoches du couvercle (zone encerclée ci-dessous).

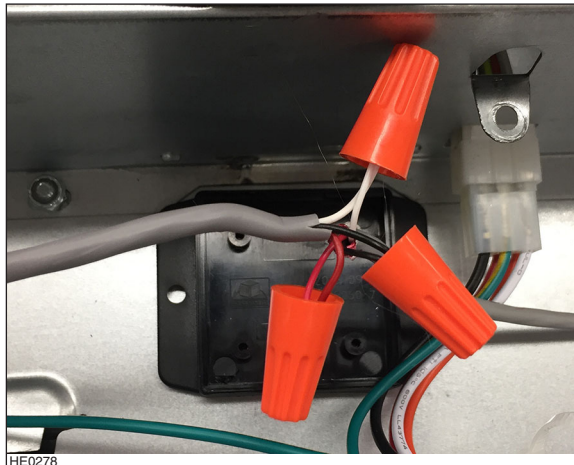


- 13 Utiliser la section restante de câble de 15 pi (étape 7) pour le relier à l'interrupteur à distance conforme à l'ADA à l'extérieur de la hotte (étape 17). IMPORTANT : Laisser une section de câble d'au moins 12 po sortir du mur (au même endroit que l'alimentation domestique de 120 V). Passer une extrémité de la section restante de câble conforme à l'ADA et le câble électrique dans le passe-fils de la hotte, en prévoyant une longueur adéquate pour effectuer les connexions dans la boîte. Serrer le passe-fils, puis dénuder les 3 fils aux 2 extrémités du câble conforme à l'ADA.

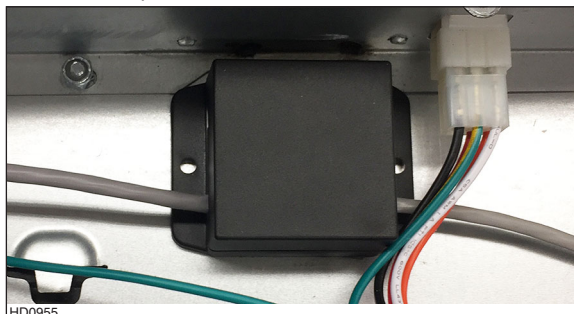
NOTE : Le passe-fils doit pouvoir accueillir 2 câbles.



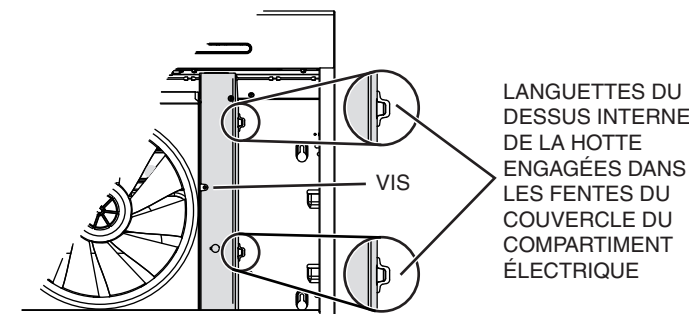
- 14 À l'aide de petits capuchons de connexion homologués UL (pour câbles de calibre AWG 22), connecter les fils de la même couleur (fil BLANC avec fil BLANC, fil NOIR avec fil NOIR, fil ROUGE avec fil ROUGE).



- 15 Placer les connexions avec capuchon dans la base de la boîte de connexion, puis bien installer le couvercle en veillant à ce que le câble conforme à l'ADA passe dans les encoches.



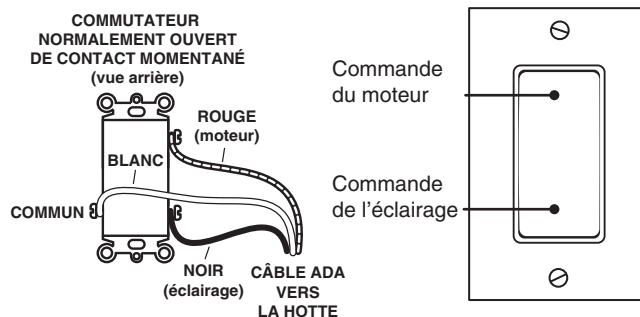
- 16 Remettre en place le couvercle du compartiment électrique de la hotte et revisser la vis de retenue.



### ATTENTION

S'assurer que les deux languettes du dessus interne de la hotte sont engagées dans les fentes correspondantes du couvercle du compartiment électrique. De plus, veiller à ne pas pincer les fils à la remise en place du couvercle.

- 17 Installer un commutateur à contact momentanément à un endroit commode pour l'utilisateur. Connecter l'extrémité sans connecteur du câble conforme à l'ADA au commutateur comme illustré ci-dessous :



### ATTENTION

Utiliser 1 commutateur à contact momentanément normalement ouvert unipolaire bidirectionnel (SPDT) (illustré dans le diagramme ci-dessus) ou 2 commutateurs à contact momentanément normalement ouverts unipolaires unidirectionnels (SPST).

- 18 Remettre en place les filtres et rétablir le courant à la hotte.

## FONCTIONNEMENT DE LA HOTTE

NOTE : Utiliser la commande sur la hotte pour réinitialiser l'indicateur d'entretien des filtres.

### Commande du moteur

Appuyer pour ALLUMER le ventilateur à BASSE vitesse.

NOTE : Lorsque le ventilateur est allumé à BASSE vitesse à partir du mode ARRÊT, il fonctionne à MOYENNE vitesse pendant un très court instant, puis passe en BASSE vitesse.

Pour changer la vitesse du ventilateur, appuyer sur ce bouton de nouveau jusqu'à la vitesse désirée (BASSE vitesse, MOYENNE vitesse, HAUTE vitesse, ARRÊT).

### Commande de l'éclairage

Lorsque les lumières sont ÉTEINTES, appuyer une fois pour ALLUMER les lumières à BASSE intensité. Appuyer de nouveau pour faire passer les lumières en HAUTE intensité. Appuyer une troisième fois pour ÉTEINDRE les lumières.

## CETTE PROCÉDURE S'APPLIQUE AUX HOTTES À VENTILATEUR SIMPLE SUIVANTES :

Séries Broan : BCDA1, BCDF1, BKDB1, BKDD1, BKDEG1, BKDF1, BNDD1, BNDF1, BQDD1 CLDA1 et CRDEG1.

Séries Broan Elite : ALT2 et TEN2.

Série EuroDesign : EDJDD1.

Séries NuTone : AHDA1, AVDF1, NCDA1, NKDF1 et NQDD1.

Série Venmar Bistro : VBLDF1.

Séries Venmar Chef : VCNDD1 et VCQDD1.



# INSTRUCTIONS DE CÂBLAGE BASSE TENSION CONFORME À L'ADA POUR HOTTES À VENTILATEUR DOUBLE

## ⚠ AVERTISSEMENT

Pour installation résidentielle (domestique) seulement. Avant de commencer, couper le courant au panneau d'alimentation et en verrouiller l'accès afin d'éviter une remise en marche accidentelle. Les travaux d'installation et de raccordement électrique doivent être effectués par une personne qualifiée, conformément aux codes et aux normes de construction, y compris ceux concernant la protection contre les incendies. De plus, il est recommandé de porter des lunettes et des gants de sécurité.

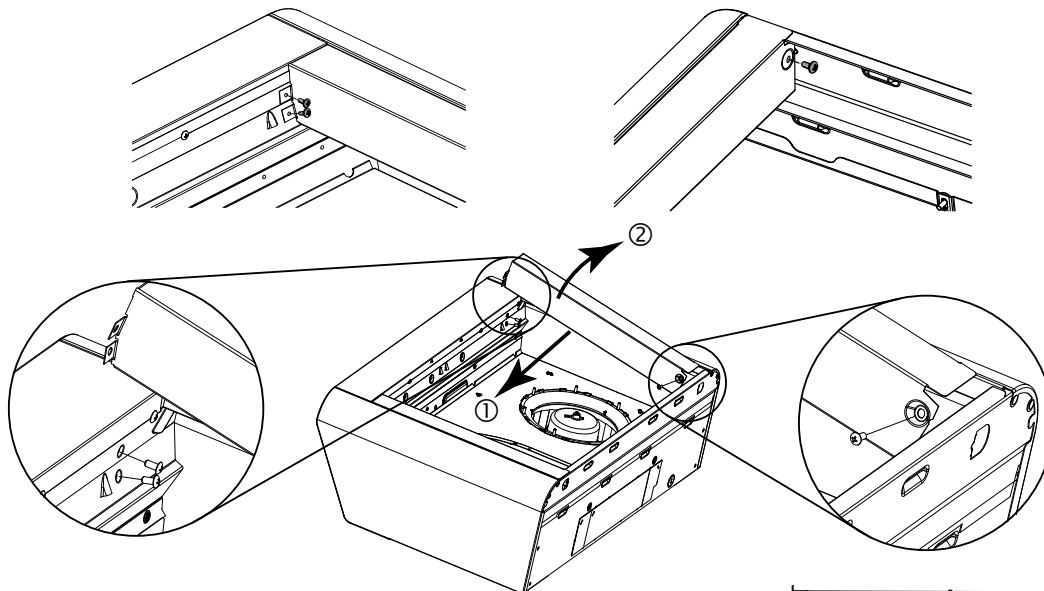
NOTE : La procédure suivante convient aux hottes à ventilateur double de séries listées en page 10.

### ACCÈS AU FAISCEAU DE FILS PRINCIPAL DE LA HOTTE

En raison de leur conception particulière, certaines séries de hottes (EPLEC1, NPLEC1, SPE1 et ALT4, EDJLD1 et EQLD1) ont un accès différent au faisceau de fils principal. Pour toutes les autres séries de hottes, aller à la page 9.

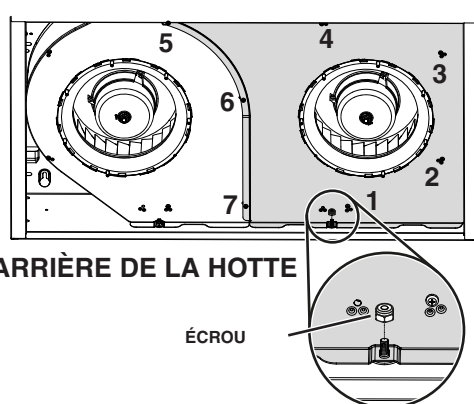
#### SÉRIES EPLEC1, NPLEC1 ET SPE1

- Retirer les 2 filtres de la hotte et les mettre de côté.
- Retirer les 2 bandes de remplissage en retirant les 3 vis retenant chacune d'entre elles. Glisser chaque bande de remplissage vers le centre de la hotte et l'incliner vers le haut pour la retirer. Mettre les bandes de remplissage et leurs vis de côté.



- À l'aide d'un tourne-écrou ou d'une douille de 11/32 po, retirer l'écrou retenant le rebord du couvercle du ventilateur de droite (en gris dans l'illustration de droite) à l'arrière de la hotte, à l'intérieur (voir le médaillon). Retirer les 7 vis de retenue du couvercle, puis mettre celui-ci de côté avec son écrou et ses vis.

NOTE : Pour les hottes de 30 po, soulever légèrement le couvercle avant de le glisser vers la gauche afin de le retirer.

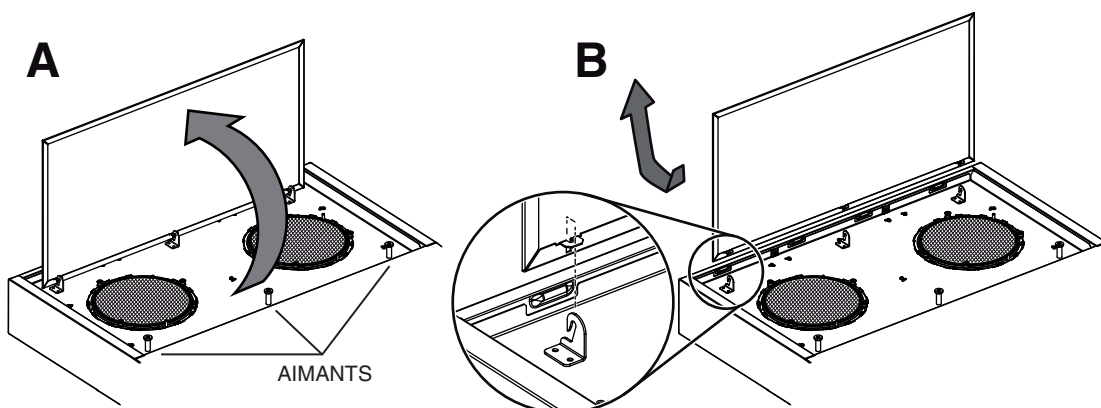


ARRIÈRE DE LA HOTTE

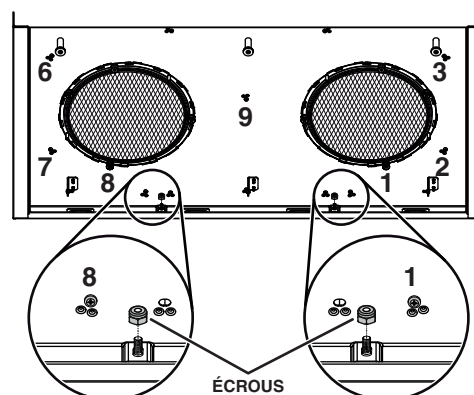
ÉCROU

#### SÉRIES ALT4, EDJLD1 ET EQLD1

- Soulever l'avant du panneau pour le décoller des aimants à l'avant (A). Retirer le panneau de la hotte en l'inclinant légèrement pour la dégager des 3 crochets (B), puis le mettre de côté.



- À l'aide d'un tourne-écrou ou d'une douille de 11/32 po, retirer les 2 écrous retenant le rebord du couvercle du ventilateur à l'arrière de la hotte (voir les médaillons). Retirer les 9 vis de retenue du couvercle, puis mettre celui-ci de côté avec ses écrous et ses vis.



ARRIÈRE DE LA HOTTE

ÉCROUS

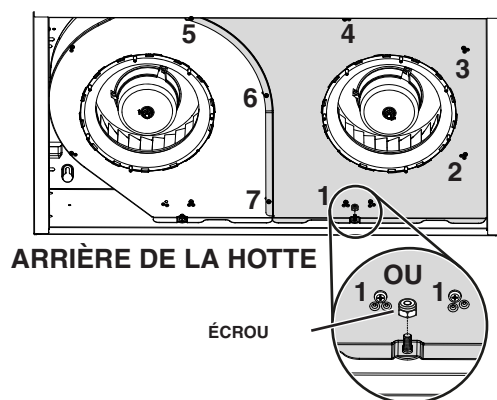
## ACCÈS AU FAISCEAU DE FILS PRINCIPAL DE LA HOTTE (SUITE)

### TOUTES AUTRES SÉRIES DE HOTTES

❶ Retirer les filtres de la hotte et les mettre de côté.

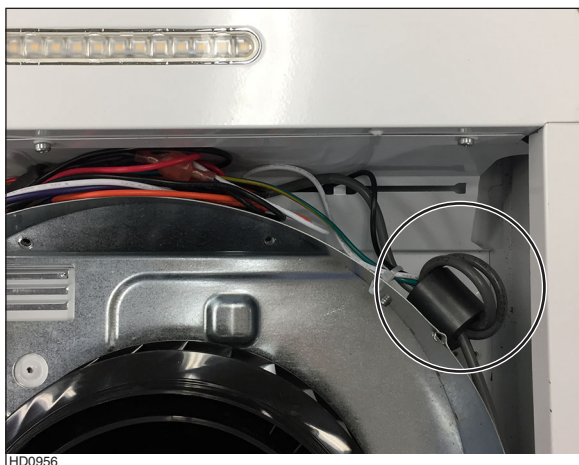
❷ À l'aide d'un tourne-écrou ou d'une douille de 11/32 po, retirer l'écrou retenant le rebord du couvercle du ventilateur de droite (en gris dans l'illustration de droite) à l'arrière de la hotte, à l'intérieur (voir le médaillon). Retirer les 7 vis de retenue du couvercle, puis mettre celui-ci de côté avec son écrou et ses vis.

NOTE: L'emplacement de la vis 1 peut varier selon le modèle de hotte; la vis peut se trouver à droite ou à gauche de l'écrou (voir le médaillon).



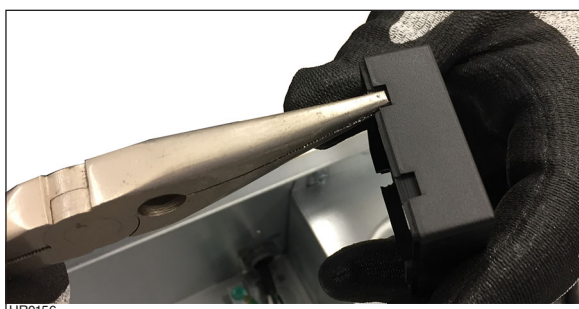
### CONNEXION DU CÂBLE CONFORME À L'ADA

❶ Passer le câble conforme à l'ADA (câble GRIS sortant de la plaque d'accès au panneau de commande) dans la ferrite fournie en faisant 2 boucles.



HD0956

❷ Ouvrir la boîte de connexion fournie. À l'aide de pinces à long bec, dégager 2 encoches pour l'entrée des câbles sur le couvercle (un par côté).



HR0156

❸ Décoller le papier à la base de la boîte de connexion et la coller à l'arrière de la hotte, à l'intérieur, près de l'ouverture préamorcée du câble électrique, comme illustré ci-dessous. S'assurer d'abord que la surface est propre.



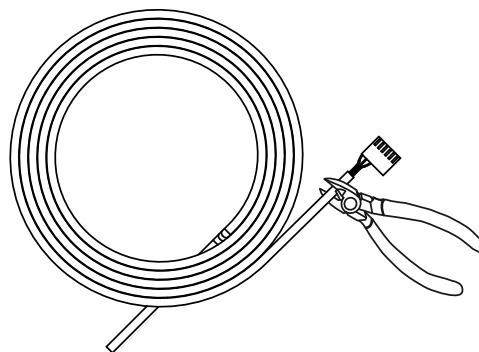
HD0957

### ATTENTION

Utiliser uniquement le câble compris dans la trousse.

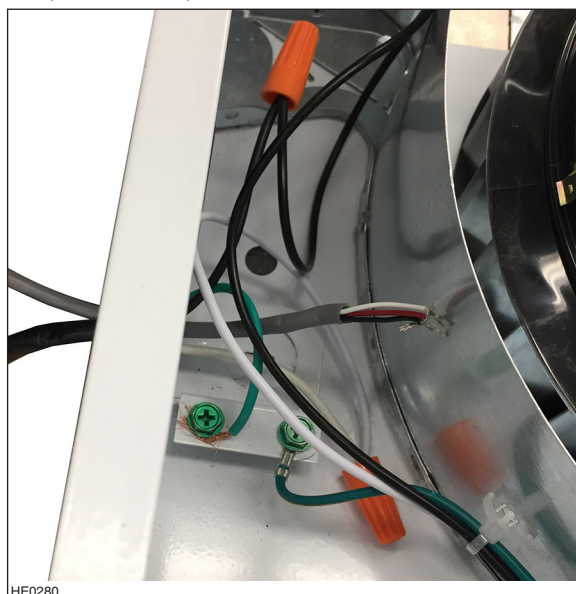
❹ Couper et jeter le connecteur au bout du câble conforme à l'ADA fourni, qui sera connecté à l'interrupteur à distance conforme à l'ADA à l'extérieur de la hotte (étape ❸).

IMPORTANT : Laisser une section de câble d'au moins 12 po sortir du mur (au même endroit que l'alimentation domestique de 120 V).



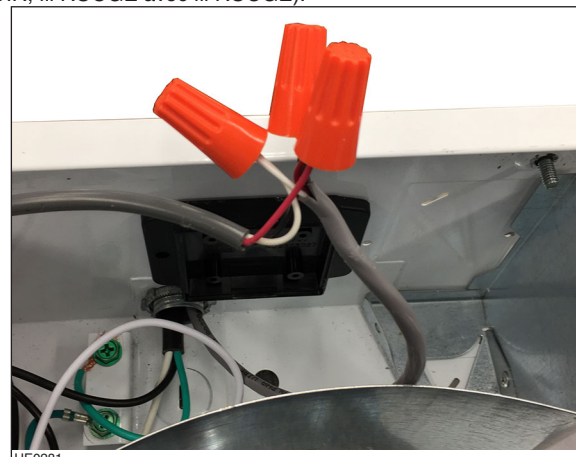
❺ Passer une extrémité du câble conforme à l'ADA et le câble électrique dans le passe-fils de la hotte, en prévoyant une longueur adéquate pour effectuer les connexions dans la boîte. Serrer le passe-fils, puis dénuder les 3 fils à l'extrémité du câble conforme à l'ADA.

NOTE : Le passe-fils doit pouvoir accueillir 2 câbles.



HE0280

❻ Dénuder les 3 fils à l'extrémité du câble GRIS (celui passé dans la ferrite). À l'aide de petits capuchons de connexion homologués UL (pour câbles de calibre AWG 22), connecter ces fils à ceux du câble conforme à l'ADA de la même couleur (fil BLANC avec fil BLANC, fil NOIR avec fil NOIR, fil ROUGE avec fil ROUGE).



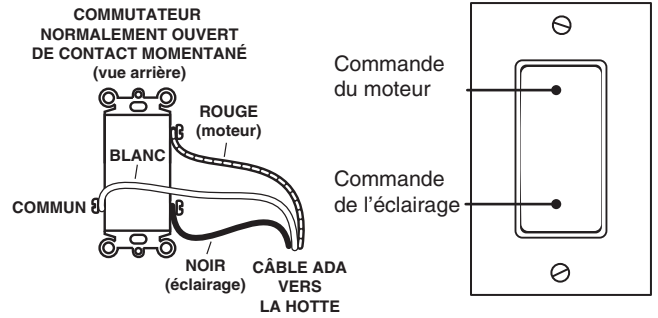
HE0281

- 7 Placer les connexions avec capuchon dans la base de la boîte de connexion, puis bien installer le couvercle en veillant à ce que le câble conforme à l'ADA passe dans les encoches.



HD0958

- 8 Installer un commutateur à contact momentané à un endroit commode pour l'utilisateur. Connecter l'extrémité sans connecteur du câble conforme à l'ADA au commutateur comme il est illustré ci-dessous :



### ATTENTION

Utiliser 1 commutateur à contact momentané normalement ouvert unipolaire bidirectionnel (SPDT) (illustré dans le diagramme ci-dessus) ou 2 commutateurs à contact momentané normalement ouverts unipolaires unidirectionnels (SPST).

- 9 Remettre en place le couvercle du ventilateur et les filtres, en reprenant les étapes dans l'ordre inverse selon le modèle de hotte (voir page 8 ou 9).  
10 Rétablir le courant à la hotte.

### CETTE PROCÉDURE S'APPLIQUE AUX HOTTES À VENTILATEUR DOUBLE SUIVANTES :

Séries Broan: BCDH1, BCDJ1, BCLB1, BKDJ1, BKDN1, BQLA1, CLDH1, CLLB1 et CRDN1.

Séries Broan Elite: ALT3, ALT4, EPLEC1, EQLD1, ERLE1 et SPE1.

Séries EuroDesign: EDJD1 et EDJLD1.

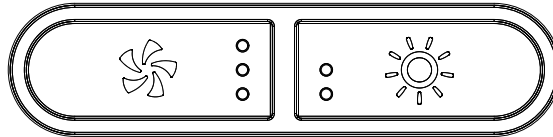
Séries NuTone: AVDN1, NCDJ1, NCLB1, NKDN1, NPLEC1, NQLA1 et NRLE1.

Séries Venmar Bistro: VBLDN1, VBNDH1 et VBNLB1.

Série Venmar Chef: VCQLA1.

## FUNCTIONNEMENT DE LA HOTTE

### COMMANDE CAPACITIVE



NOTE : Utiliser la commande sur la hotte pour réinitialiser l'indicateur d'entretien des filtres.

### COMMANDE DU MOTEUR

Appuyer pour ALLUMER le ventilateur à BASSE vitesse.

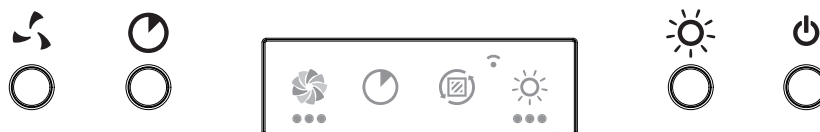
NOTE : Lorsque le ventilateur est allumé à BASSE vitesse à partir du mode ARRÊT, il fonctionne à MOYENNE vitesse pendant un très court instant, puis passe en BASSE vitesse.

Pour changer la vitesse du ventilateur, appuyer sur ce bouton de nouveau jusqu'à la vitesse désirée (BASSE vitesse, MOYENNE vitesse, HAUTE vitesse, ARRÊT).

### COMMANDE DE L'ÉCLAIRAGE

Lorsque les lumières sont ÉTEINTES, appuyer une fois pour ALLUMER les lumières à BASSE intensité. Appuyer de nouveau pour faire passer les lumières en HAUTE intensité. Appuyer une troisième fois pour ÉTEINDRE les lumières.

### COMMANDE À CRISTAUX LIQUIDES



NOTES : 1. L'ARRÊT différé et la mise SOUS/HORS TENSION ne fonctionnent pas avec le commutateur à contact momentané.

2. Utiliser la commande sur la hotte pour réinitialiser l'indicateur d'entretien des filtres.

### COMMANDE DU MOTEUR

Appuyer pour ALLUMER le ventilateur à BASSE vitesse.

NOTE : Lorsque le ventilateur est allumé à BASSE vitesse à partir du mode ARRÊT, il fonctionne à MOYENNE vitesse pendant un très court instant, puis passe en BASSE vitesse.

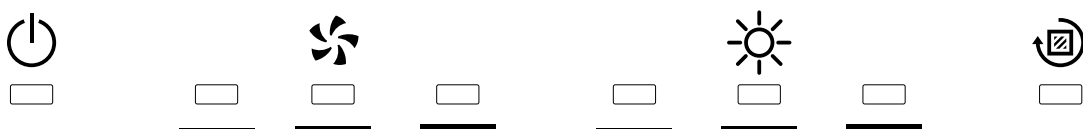
Pour changer la vitesse du ventilateur, appuyer sur ce bouton de nouveau jusqu'à la vitesse désirée (BASSE vitesse, MOYENNE vitesse, HAUTE vitesse, ARRÊT).

### COMMANDE DE L'ÉCLAIRAGE

Lorsque les lumières sont ÉTEINTES, appuyer une fois pour ALLUMER les lumières à BASSE intensité. Appuyer de nouveau pour faire passer les lumières en MOYENNE intensité.

Appuyer une troisième fois pour faire passer les lumières en HAUTE intensité. Appuyer une quatrième fois pour ÉTEINDRE les lumières.

### COMMANDE À CAPTEURS INFRAROUGES



NOTES : 1. L'ARRÊT différé et la mise SOUS/HORS TENSION ne fonctionnent pas avec le commutateur à contact momentané.

2. Utiliser la commande sur la hotte pour réinitialiser l'indicateur d'entretien des filtres.

### COMMANDE DU MOTEUR

Appuyer pour ALLUMER le ventilateur à BASSE vitesse.

NOTE : Lorsque le ventilateur est allumé à BASSE vitesse à partir du mode ARRÊT, il fonctionne à MOYENNE vitesse pendant un très court instant, puis passe en BASSE vitesse.

Pour changer la vitesse du ventilateur, appuyer sur ce bouton de nouveau jusqu'à la vitesse désirée (BASSE vitesse, MOYENNE vitesse, HAUTE vitesse, ARRÊT).

### COMMANDE DE L'ÉCLAIRAGE

Lorsque les lumières sont ÉTEINTES, appuyer une fois pour ALLUMER les lumières à BASSE intensité.

Pour changer l'intensité des lumières, appuyer sur ce bouton de nouveau jusqu'à l'intensité désirée (BASSE intensité, MOYENNE intensité, HAUTE intensité, ARRÊT).

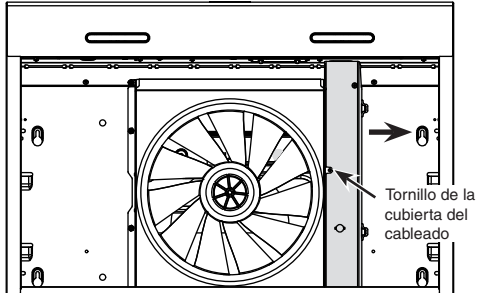
INSTRUCCIONES DE CABLEADO DE BAJA TENSIÓN CONFORMEMENTE A LAS NORMAS ADA PARA CAMPANAS DE COCINA DE UN SOLO VENTILADOR (PÁGINAS 11 Y 12) Y DE DOS VENTILADORES (PÁGINAS 13 A 15)

**⚠ ADVERTENCIA**

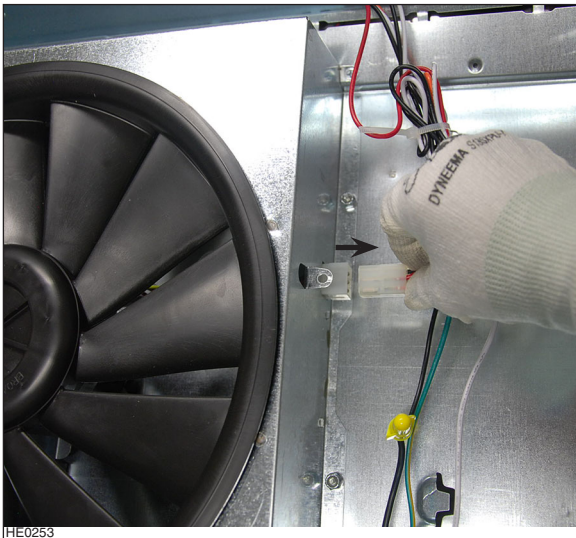
Para instalación residencial o doméstica solamente. Antes de comenzar, desconecte la alimentación en el tablero de servicio y bloquee los medios de desconexión para evitar el restablecimiento accidental de la corriente eléctrica. Los trabajos de instalación y el cableado eléctrico deben ser realizados por personas cualificadas, de conformidad con todos los códigos y normas aplicables, incluyendo los códigos y normas de construcción contra incendios. Asimismo, se aconseja portar lentes y guantes de seguridad.

NOTA: Las ilustraciones de este procedimiento son genéricas; algunos detalles pueden ser ligeramente distintos de la campana que tenga a mano, pero el procedimiento en sí se aplica a todas las campanas de un solo ventilador enumeradas en el presente documento (vea la página 12).

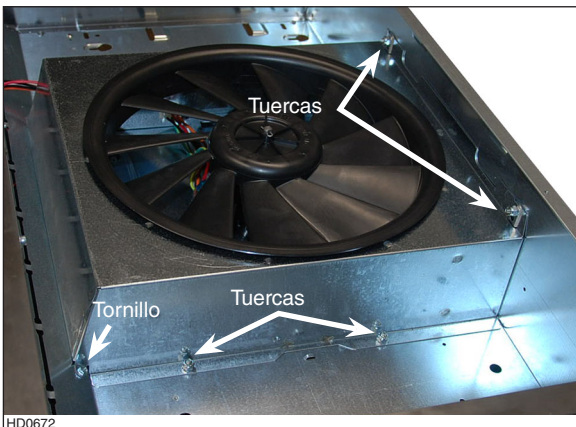
- 1 Retire los filtros de la campana y póngalos a un lado.
- 2 Retire el tornillo que sostiene la tapa del compartimento eléctrico (parte sombreada de la ilustración de abajo). Deslice la tapa fuera de la campana y póngala a un lado con su tornillo.



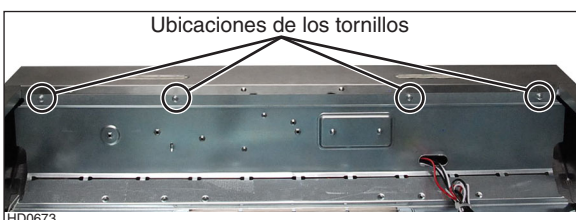
- 3 Desenchufe el conector del ventilador del grupo de cables principal.



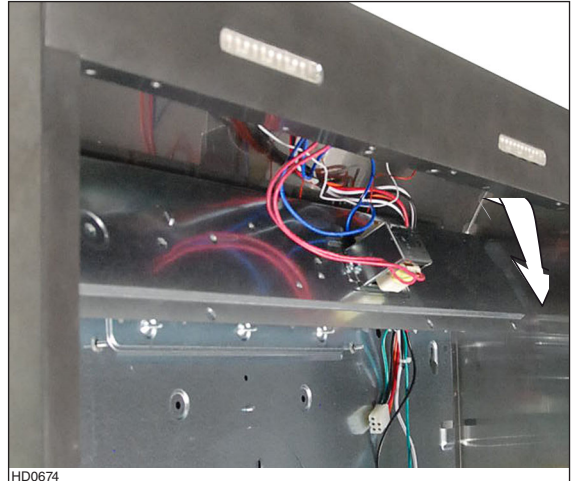
- 4 Utilice un dado de 11/32 pulgadas para retirar las 6 tuercas que sujetan la cámara del ventilador al conjunto de la campana (2 tuercas en la parte trasera interior y 2 tuercas por lado); use luego un destornillador Phillips n.º 2 para quitar los dos tornillos de las esquinas delanteras. Vea en la imagen de abajo la ubicación de las tuercas y los tornillos. Saque la cámara del ventilador del conjunto de la campana y colóquela a un lado con sus tornillos y tuercas de sujeción.



- 5 Retire y ponga a un lado los 4 tornillos delanteros que sujetan el tablero de control a la campana.



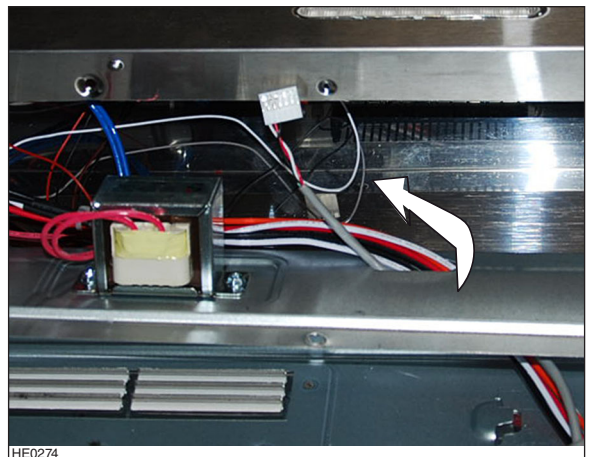
- 6 Doble hacia abajo la placa del tablero de control para acceder a las conexiones.



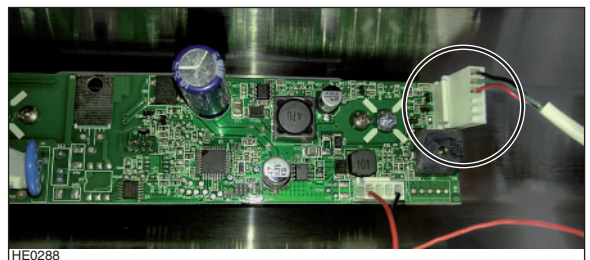
**ATENCIÓN**

Use exclusivamente el cable incluido en el kit.

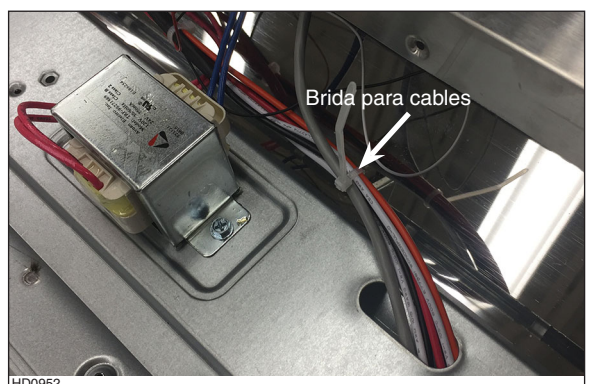
- 7 Comenzando del extremo con conector del cable ADA proporcionado, mida 4 pies (1.2 m) y corte el cable. Ponga a un lado el cable sin conector restante de 15 pies, a ser usado posteriormente (vea el paso 8). Pase el conector del cable ADA a través del agujero para cableado de la placa doblada.



- 8 Enchufe el conector del cable ADA en el conector de 6 terminales del tablero de control (en un círculo en la imagen de abajo).



- 9 Usando una brida para cables, fije la sección del cable ADA al grupo de cables principal.

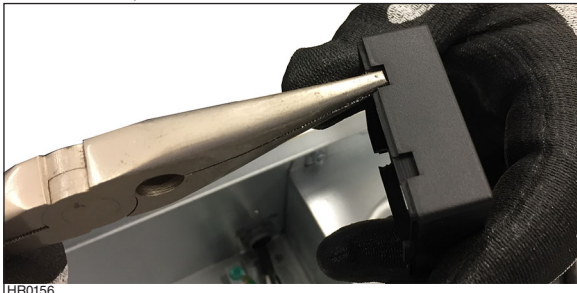


- 10 Cierre el tablero de control y reinstale el ventilador siguiendo los pasos 3 a 6 indicados en la primera página, pero en el orden contrario. Pase la sección del cable ADA a través de la ferrita proporcionada, haciendo 2 lazos. La ferrita debe estar lo más cerca posible del tablero de control.



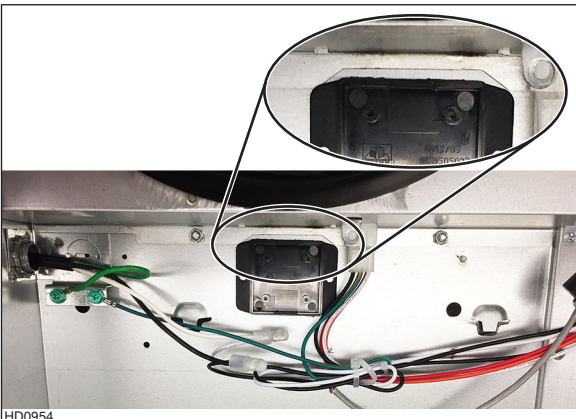
HD0953

- 11 Abra la caja de conexiones suministrada y, usando alicates de punta larga, corte las dos muescas para cables que se encuentran en la tapa (una en cada lado).



HR0156

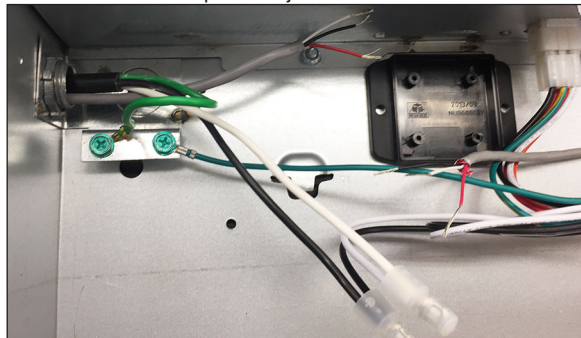
- 12 Despegue el papel protector de la base de la caja de conexiones e instale la base en el lugar indicado, colocando de esta manera la caja de conexiones en el área del compartimento eléctrico, cerca del conector del ventilador. Asegúrese que la superficie se encuentra limpia antes de instalar la caja. **IMPORTANTE:** La base debe ser posicionada a ras con las muescas (vea el área en un círculo aquí abajo).



HD0954

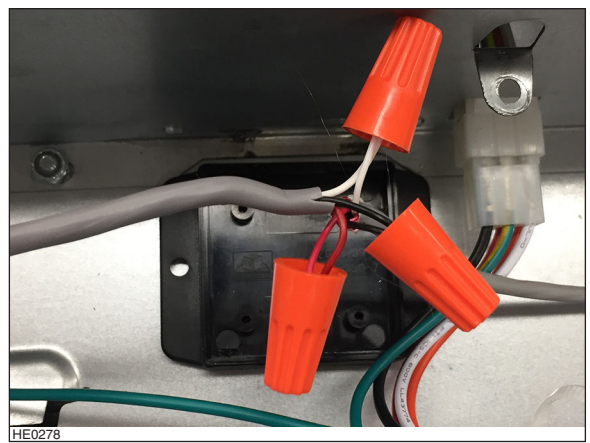
- 13 Use el cable restante de 15 pies de longitud (del paso 7) para efectuar la conexión con el interruptor remoto ADA en el exterior de la campana (paso 17). **IMPORTANTE:** Deje que por lo menos una longitud de 12 pulgadas del cable sobresalga de la pared (en el mismo lugar del cableado eléctrico de 120 V de la vivienda). Pase un extremo de la sección restante del cable ADA a través de la abrazadera de cable de la campana, junto con el cable de alimentación, dando una longitud suficiente para poder efectuar las conexiones dentro de la caja. Ajuste la abrazadera y después pele el borde de los 3 alambres en ambos extremos del cable ADA.

NOTA: La abrazadera debe poder sujetar 2 cables.



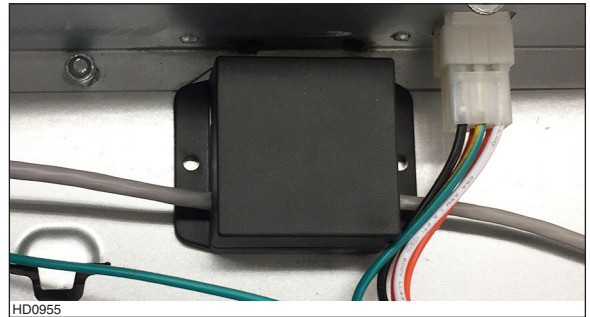
HE0277

- 14 Sirviéndose de tuercas pequeñas para alambre aprobadas por UL (adecuadas para cables de 22 AWG), conecte el cable BLANCO con el cable BLANCO, el cable NEGRO con el cable NEGRO y el cable ROJO con el cable ROJO.



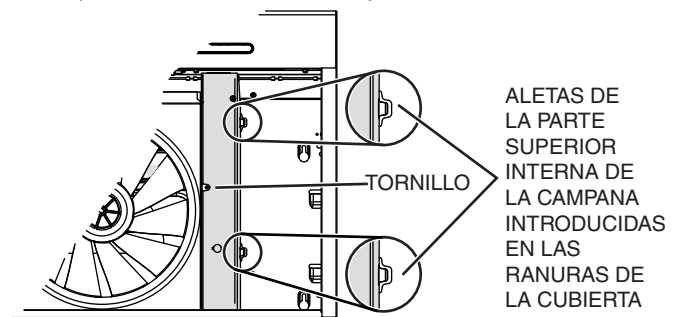
HE0278

- 15 Coloque las tuercas para alambre dentro de la base de la caja de conexiones y encaje la tapa de la caja sobre su base, asegurándose de que el cable ADA pase a través de las muescas.



HD0955

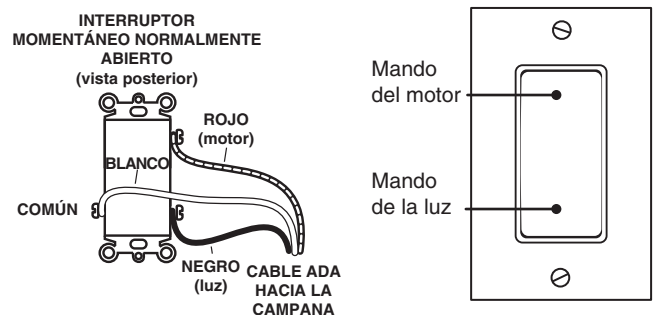
- 16 Reinstale la tapa del compartimento eléctrico de la campana y fíjela en la campana mediante el tornillo de sujeción.



### ATENCIÓN

Compruebe que las dos aletas de la parte superior interna de la campana se hayan introducido en sus ranuras correspondientes en la tapa del compartimento eléctrico. Asimismo, procure que los hilos no queden pellizcados al volver a colocar la tapa.

- 17 Instale un conmutador de contacto momentáneo en un lugar adecuado para el usuario. Conecte el extremo sin conector del cable ADA suministrado a este conmutador como se indica abajo:



### ATENCIÓN

Use 1 conmutador de contacto momentáneo bidireccional unipolar (SPDT) normalmente abierto (mostrado en el diagrama de arriba) o 2 conmutadores de contacto momentáneo unidireccionales unipolares (SPST) normalmente abiertos.

- 18 Vuelva a colocar los filtros de la campana y restablezca la alimentación de la campana de cocina.

### FUNCIONAMIENTO DE LA CAMPANA DE COCINA

NOTA: Use el control de la campana para reinicializar el indicador de mantenimiento del filtro.

#### Control del motor

Pulse el control para ENCENDER el ventilador a velocidad BAJA.

NOTA: Cuando se activa la velocidad BAJA a partir del modo APAGADO, el ventilador empieza a funcionar a velocidad MEDIA brevemente para luego pasar a velocidad BAJA.

Para cambiar la velocidad del ventilador, pulse nuevamente el control hasta obtener la velocidad deseada (secuencia de velocidad BAJA a MEDIA a ALTA a APAGADO).

#### Control de las luces

Cuando las luces están apagadas, pulse el control una vez para encender las luces a intensidad BAJA. Púlselo nuevamente para ajustarlas a intensidad ELEVADA. Si se vuelve a pulsar el control después de haber ajustado las luces a intensidad ELEVADA, las luces se apagan.

### ESTE PROCEDIMIENTO SE APLICA A LAS SIGUIENTES SERIES DE CAMPANAS DE COCINA

Series Broan: BCDA1, BCDF1, BKDB1, BKDD1, BKDEG1, BKDF1, BNDD1, BNDF1, BQDD1 CLDA1 y CRDEG1.

Series Broan Elite: ALT2 y TEN2.

Serie EuroDesign: EDJDD1.

Series NuTone: AHDA1, AVDF1, NCDA1, NKDF1 y NQDD1.

Serie Venmar Bistro: VBLDF1.

Series Venmar Chef: VCND1 y VCQDD1.

# INSTRUCCIONES DE CABLEADO DE BAJA TENSIÓN CONFORMEMENTE A LAS NORMAS ADA PARA CAMPANAS DE COCINA DE DOS VENTILADORES

## ⚠ ADVERTENCIA

Para instalación residencial o doméstica solamente. Antes de comenzar, desconecte la alimentación en el tablero de servicio y bloquee los medios de desconexión para evitar el restablecimiento accidental de la corriente eléctrica. Los trabajos de instalación y el cableado eléctrico deben ser realizados por personas cualificadas, de conformidad con todos los códigos y normas aplicables, incluyendo los códigos y normas de construcción contra incendios. Asimismo, se aconseja portar lentes y guantes de seguridad.

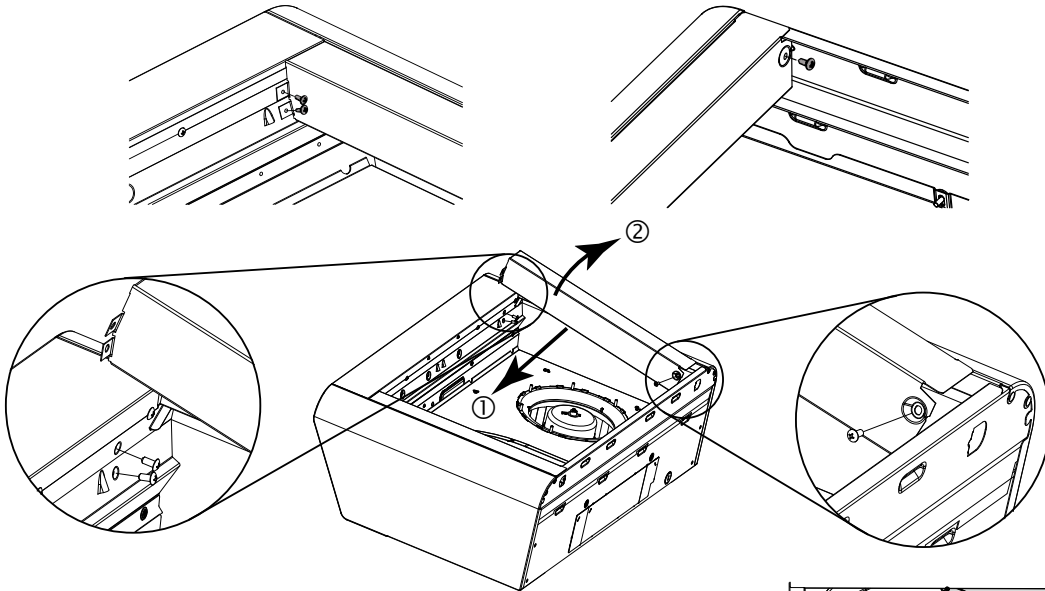
NOTA: El procedimiento en sí se aplica a todas las series de campanas de dos ventiladores enumeradas en la página 15.

### ACCESO AL GRUPO DE CABLES PRINCIPAL DE LA CAMPANA

Debido a su diseño específico, algunas series de campanas de cocina ofrecen maneras distintas de acceder a su grupo de cables principal. Estas series de campana son: las series EPLEC1, NPLEC1 SPE1 y las series ALT4, EDJLD1 y EQLD1. Para todas las otras series de campanas de cocina, vaya a la página 14.

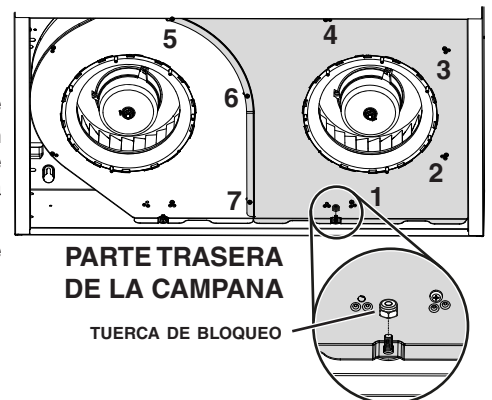
#### SERIES EPLEC1, NPLEC1 Y SPE1

- 1 Retire los 2 filtros de la campana y póngalos a un lado.
- 2 Retire los 2 paneles de relleno quitando los 3 tornillos que sujetan cada una de ellas. Desplace cada panel hacia el centro de la campana e inclínelo hacia arriba para retirarlo completamente. Reserve los paneles de relleno y los tornillos.



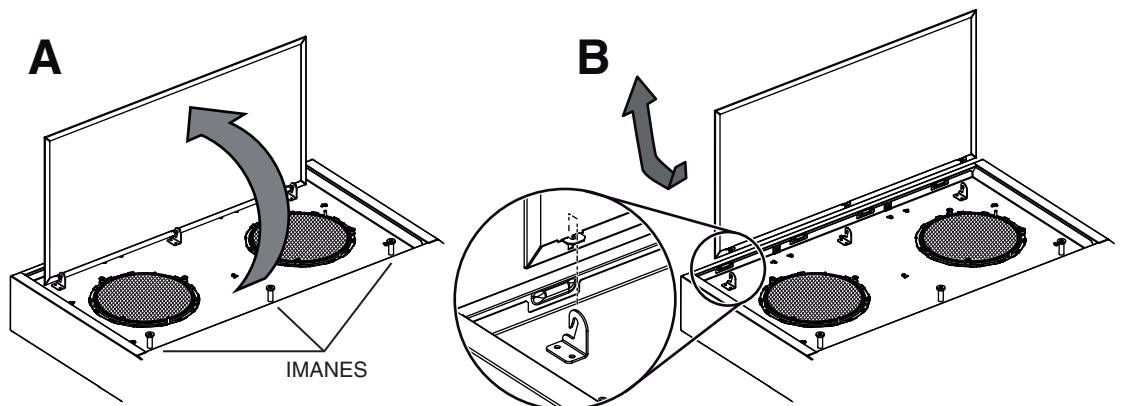
- 3 Utilice un destornillador para tuercas o un dado de 11/32 pulgadas para retirar la tuerca de bloqueo que sujeta el reborde de la placa de cubierta derecha (parte sombreada de la ilustración de abajo) a la parte trasera interna de la campana (vea el recuadro). Retire los 7 tornillos que sujetan la placa de cubierta, desmonte la placa de cubierta y consérvela con sus tornillos y tuerca de bloqueo.

NOTA: En las campanas de 30 pulgadas de ancho, levante ligeramente la placa de cubierta antes de deslizarla hacia la izquierda para sacarla.



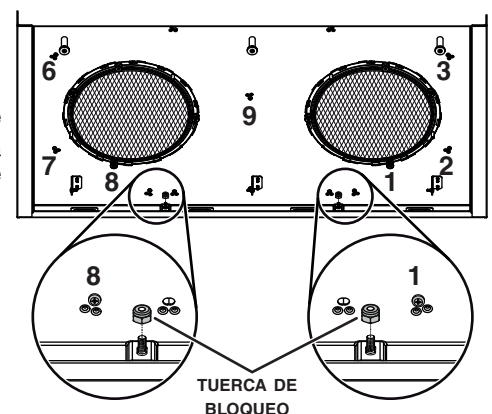
#### SERIES ALT4, EDJLD1 Y EQLD1

- 1 Sujete el borde delantero de la placa y levántela para separarla de los imanes frontales (A). Para apartar la placa de la campana, inclínela ligeramente, retírela de los 3 ganchos (B) y póngala a un lado.



- 2 Utilice un destornillador para tuercas o un dado de 11/32 pulgadas para remover las tuercas de bloqueo que sujetan el reborde de la placa de cubierta a la parte trasera interna de la campana (vea los recuadros). Retire los 9 tornillos que sujetan la placa de cubierta, desmonte la placa de cubierta y consérvela con su tornillo y tuerca de bloqueo.

### PARTE TRASERA DE LA CAMPANA



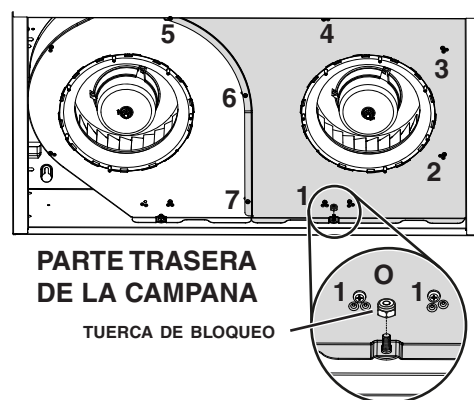
## ACCESO AL GRUPO DE CABLES PRINCIPAL DE LA CAMPANA (CONTINUACIÓN)

### TODAS LAS OTRAS SERIES DE CAMPANAS DE COCINA

1 Retire los filtros de la campana y póngalos a un lado.

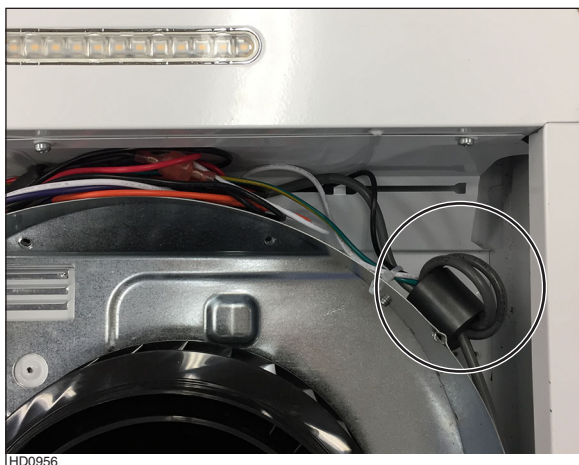
2 Utilice un destornillador para tuercas o un dado de 11/32 pulgadas para retirar la tuerca de bloqueo que sujeta el reborde de la placa de cubierta derecha (parte sombreada de la ilustración de abajo) a la parte trasera interna de la campana (vea el recuadro). Retire los 7 tornillos que sujetan la placa de cubierta derecha, desmonte la placa de cubierta y consérvela con sus tornillos y tuerca de bloqueo.

NOTA: De acuerdo con los modelos de campana, la ubicación del tornillo 1 puede ser distinta; puede encontrarse al lado derecho o izquierdo de la tuerca de bloqueo (vea el recuadro).

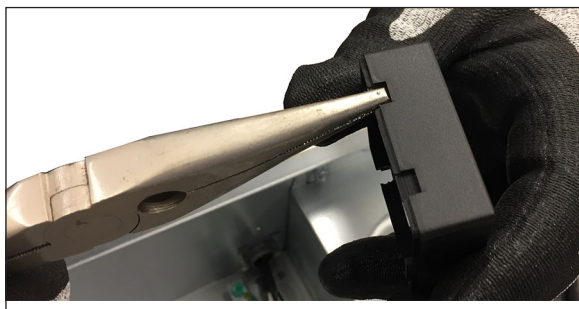


### CONEXIONES DEL CABLE ADA

1 Pase el cable ADA (cable GRIS que sobresale del tablero de control) a través de la ferrita proporcionada, haciendo 2 lazos.



2 Abra la caja de conexiones suministrada y, usando alicates de punta larga, corte las dos muescas para los cables que se encuentran en la tapa (una en cada lado).



3 Despegue el papel protector de la base de la caja de conexiones e instale la base en la parte trasera interior de la campana, cerca de la entrada del cable de alimentación, como se muestra aquí abajo. Asegúrese que la superficie se encuentra limpia antes de instalar la caja

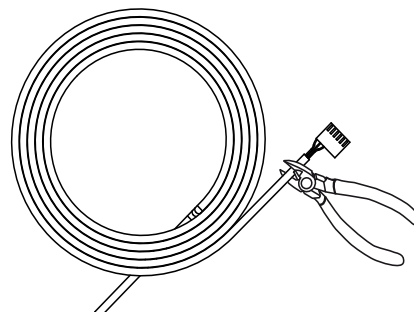


### ATENCIÓN

Use exclusivamente el cable incluido en el kit.

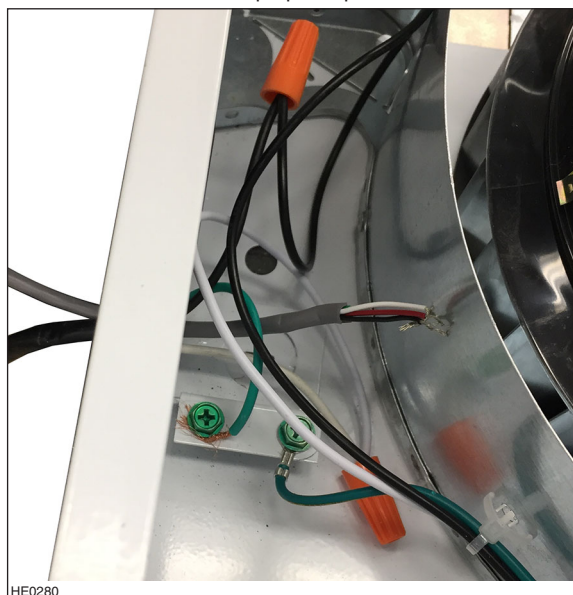
4 Corte y descarte el conector que se encuentra en un extremo del cable ADA suministrado. Use este cable para efectuar la conexión con el interruptor remoto ADA en el exterior de la campana (paso 8).

IMPORTANTE: Haga que por lo menos una longitud de 12 pulgadas del cable sobresalga de la pared (en el mismo lugar del cableado eléctrico de 120 V de la vivienda).

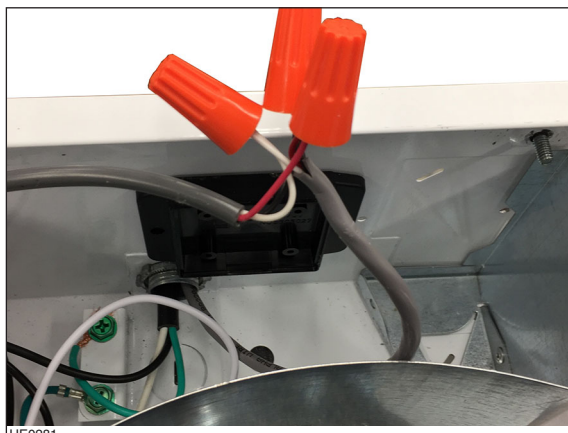


5 Pase un extremo del cable ADA a través de la abrazadera de cable de la campana, junto con el cable de alimentación, dando una longitud suficiente para poder efectuar la conexión dentro de la caja. Ajuste la abrazadera y después pele el borde de los 3 alambres en ambos extremos del cable ADA.

NOTA: La abrazadera debe ser apropiada para 2 cables.



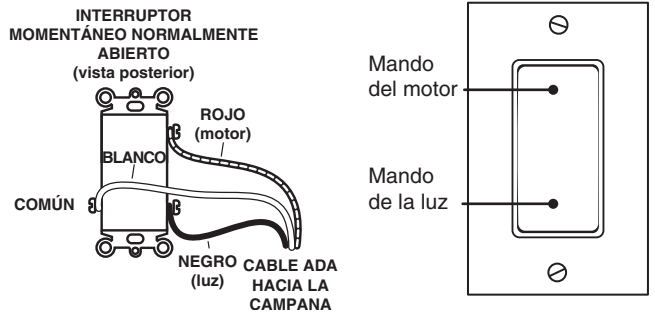
6 Pele el borde de los 3 alambres del cable GRIS (el cable con ferrita) y después, usando tuercas pequeñas para alambre aprobadas por UL (adecuadas para cables de 22 AWG), conecte de la siguiente manera estos cables con los cables ADA: cable BLANCO con cable BLANCO, cable NEGRO con cable NEGRO y cable ROJO con cable ROJO.



7 Coloque las tuercas para alambre dentro de la base de la caja de conexiones y encaje la tapa de la caja sobre su base, asegurándose de que el cable ADA pase a través de las muescas.



8 Instale un conmutador de contacto momentáneo en un lugar adecuado para el usuario. Conecte el extremo del cable ADA suministrado a este conmutador como se indica abajo:



### ATENCIÓN

Use 1 conmutador de contacto momentáneo bidireccional unipolar (SPDT) normalmente abierto (mostrado en el diagrama de arriba) o 2 conmutadores de contacto momentáneo unidireccionales unipolares (SPST) normalmente abiertos.

9 Reinstale la placa de cubierta y los filtros, invirtiendo los pasos correspondientes a la serie de campanas de cocina respectiva (vea la página 13 o 14).

10 Restablezca la alimentación de la campana de cocina.

### ESTE PROCEDIMIENTO SE APLICA A LAS SIGUIENTES SERIES DE CAMPANAS DE COCINA DE DOS VENTILADORES

Series Broan: BCDH1, BCDJ1, BCLB1, BKDJ1, BKDN1, BQLA1, CLDH1, CLLB1 y CRDN1.

Series Broan Elite: ALT3, ALT4, EPLEC1, EQLD1, ERLE1 y SPE1.

Series EuroDesign: EDJDN1 y EDJLD1.

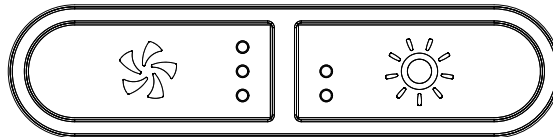
Series NuTone: AVDN1, NCDJ1, NCLB1, NKDN1, NPLEC1, NQLA1 y NRLE1.

Series Venmar Bistro: VBLDN1, VBNDH1 y VBNLB1.

Serie Venmar Chef: VCQLA1.

### FUNCIONAMIENTO DE LA CAMPANA DE COCINA

#### CONTROL TÁCTIL SUAVES LED



NOTA: Use el control de la campana para reinicializar el indicador de mantenimiento del filtro.

#### CONTROL DEL MOTOR

Pulse el control para ENCENDER el ventilador a velocidad BAJA.

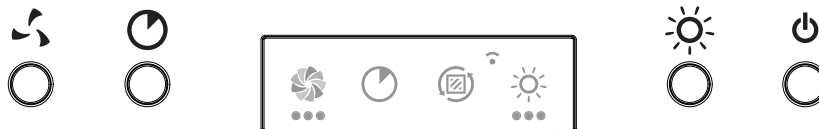
NOTA: Cuando se activa la velocidad BAJA a partir del modo APAGADO, el ventilador empieza a funcionar a velocidad MEDIA brevemente para luego pasar a velocidad BAJA.

Para cambiar la velocidad del ventilador, pulse nuevamente el control hasta obtener la velocidad deseada (secuencia de velocidad BAJA a MEDIA a ALTA a APAGADO).

#### CONTROL DE LAS LUCES

Cuando las luces están apagadas, pulse el control una vez para encender las luces a intensidad BAJA. Púselo nuevamente para ajustarlas a intensidad ELEVADA. Si se vuelve a pulsar el control después de haber ajustado las luces a intensidad ELEVADA, las luces se apagan.

#### CONTROL CON PANTALLA DE CRISTAL LÍQUIDO



NOTAS: 1. Las funciones del temporizador de APAGADO y del sensor Maestro de ENCENDIDO/APAGADO no están disponibles cuando se usa el conmutador de contacto momentáneo.

2. Use el control de la campana para reinicializar el indicador de mantenimiento del filtro.

#### MOTOR CONTROL

Pulse el control para ENCENDER el ventilador a velocidad BAJA.

NOTA: Cuando se activa la velocidad BAJA a partir del modo APAGADO, el ventilador empieza a funcionar a velocidad MEDIA brevemente para luego pasar a velocidad BAJA.

Para cambiar la velocidad del ventilador, pulse nuevamente el control hasta obtener la velocidad deseada (secuencia de velocidad BAJA a MEDIA a ALTA a APAGADO).

#### CONTROL DE LAS LUCES

Cuando las luces están apagadas, pulse el control una vez para encender las luces a intensidad BAJA. Púselo nuevamente para ajustarlas a intensidad MEDIA. Pulse el control nuevamente para ajustar las luces a intensidad ELEVADA. Si se vuelve a pulsar el control después de haber ajustado las luces a intensidad ELEVADA, las luces se apagan.

#### CONTROL CON SENSORES TÁCTILES INFRARROJOS



NOTAS: 1. Las funciones del temporizador de APAGADO y del sensor Maestro de ENCENDIDO/APAGADO no están disponibles cuando se usa el conmutador de contacto momentáneo.

2. Use el control de la campana para reinicializar el indicador de mantenimiento del filtro.

#### CONTROL DEL MOTOR

Pulse el control para ENCENDER el ventilador a velocidad BAJA.

NOTA: Cuando se activa la velocidad BAJA a partir del modo APAGADO, el ventilador empieza a funcionar a velocidad MEDIA brevemente para luego pasar a velocidad BAJA.

Para cambiar la velocidad del ventilador, pulse nuevamente el control hasta obtener la velocidad deseada (secuencia de velocidad BAJA a MEDIA a ALTA a APAGADO).

#### CONTROL DE LAS LUCES

Cuando las luces están apagadas, pulse el control una vez para encender las luces a intensidad BAJA.

Para cambiar la intensidad de las luces, vuelva a pulsar el control hasta obtener la velocidad deseada (secuencia de intensidad BAJA a MEDIA a ELEVADA a APAGADO).