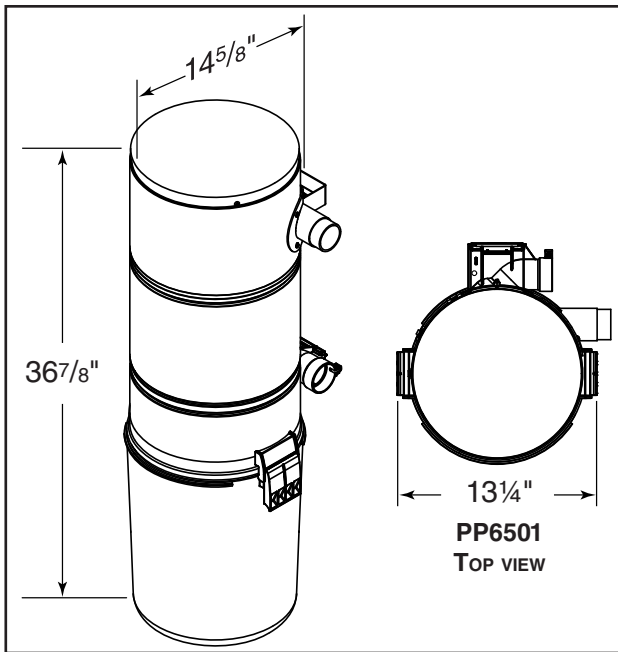


PUREPOWER SERIES PP6501



SPECIFICATIONS

| | |
|-------------------------------|--|
| Motor | 1-Stage |
| Horsepower | 2.4 @ Full open orifice |
| Amperes | 13.5 |
| Voltage | 120 VAC |
| Water Lift | 125" |
| Air Watts | 650 |
| Switch on Power Unit. | Yes |
| Recommended Circuit | Minimum 20 Amps |
| Filtration Type | Sealed HEPA |
| Capacity | 6 U.S. Gallons |
| Filtration Level | HEPA |
| Quietness | 64 dB |
| UL Listed | Yes |
| Housing | Metal housing with polymeric debris pail |
| Dimensions. | 13 1/4" W x 14 5/8" D x 36 7/8" H |

Designed for homes from 2,000 to 7,000 ft.², this power unit features a 1-stage motor that delivers 650 air watts of power.

FEATURES

- Sealed HEPA featuring HEPA filter with glued seams provides unmatched filtration for clean indoor air
- ULTRA Silent™ Technology: ensures quiet operation; no muffler required
- FlexCollect debris disposal - Hybrid bagging system offers bagged & bagless options in 1 unit
- Large 6 U.S. gallon easy-clean, corrosion resistant debris pail that typically needs emptying only every 6 months
- Oversized debris pail handles made for a quick and easy pail removal
- Wall mounted bracket for simple, safe and secure mounting
- Six foot long power cord
- UL Listed
- 8-Year parts warranty and 5-Year labor warranty



Broan-NuTone LLC, 926 West State Street, Hartford, WI 53027 (1-888-336-6151) www.nutone.com

| Project: | REMARKS |
|---------------|---------|
| Location: | |
| Model no.: | |
| Quantity: | |
| Submitted by: | |
| Date: | |
| | |