

The slim and refined lines of Sahale bring a refreshing change to today's kitchens. Bright LED lighting complements your cooking experience and three fan speeds make cooking more enjoyable. The LED modules included with this hood are the latest in LED cooktop illumination technology specially designed to operate in the elevated temperatures of cooking - offering bright lighting and lasting up to 25 times as long as a standard bulb and greater reliability than typical replacement LED bulbs.

30-IN. WIDTH HOODS



36-IN. WIDTH HOODS



SIZE	WHITE	BLACK	STAINLESS	GREASE FILTERS (replacement)	NON-DUCTED FILTERS
30 in.	BKDB130WW	BKDB130BL	BKDB130SS	HPFAMM30 (Type C1/C2)	HPF30 (Type Xc)
36 in.†	BKDB136WW	BKDB136BL	BKDB136SS	HPFAMM36 (Type D1/D2)	HPF36 (Type Xd)

† Not available in Canada.

### HVI PERFORMANCE

Duct Orientation	Size	Damper	Sones			CFM			
			Normal	Medium*	High	Normal	Medium*	High 0.25 in. w.g.	High 0.1 in. w.g.
Vertical - Rectangular	3¼ in. x 10 in.	Included	1.5	3.0	5.0	130	180	125	220
Horizontal - Rectangular	3¼ in. x 10 in.	Included	1.5	3.0	5.0	110	150	115	210
Round - Vertical	7 in.	Sold Separately	1.5	3.0	5.0	140	190	100	240

### FEATURES

Max. Blower CFM**	300
Control type	3-speed Capacitive Touch
Delay off	no
Filter Clean Reminder	yes
Heat Sentry™	no
ADA Capable	yes
Lighting	2-level LED (included)
Grease Filters	Micro Mesh (Qty. 2)
Installation Hardware	EZ1 brackets
ENERGY STAR®	no
Recirculation	Non-ducted filters sold separately

### AC INPUT

120 V, 60 Hz - 0.65 AMPS

### OPTIONAL ACCESSORIES

7-in. Round Damper	BP87Q
ADA Wiring Kit	HAWRK3

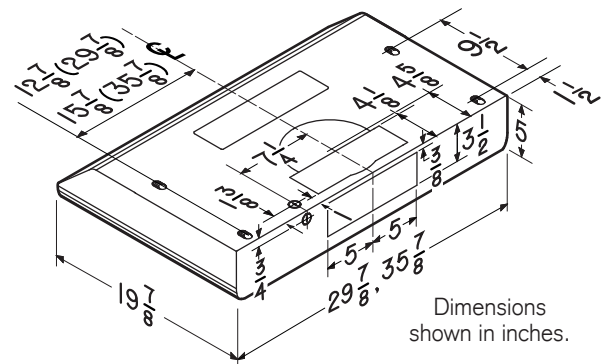
### MOUNTING HEIGHT

18 in. to 24 in. from cooktop to bottom of hood

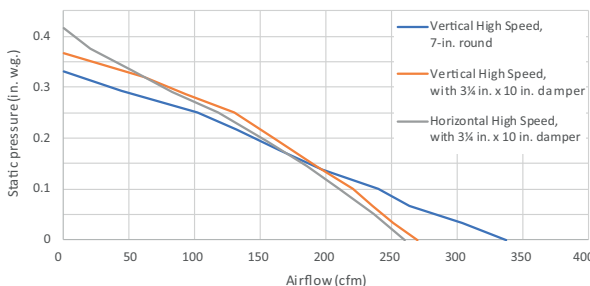
### LIMITED WARRANTY

1-year  
3-year (LED modules only)  
(See installation manual for full warranty text.)

### FOR INDOOR USE ONLY



Dimensions shown in inches.



HVI-2100 CERTIFIED RATINGS comply with new testing technologies and procedures prescribed by the Home Ventilating Institute, for off-the-shelf products, as they are available to consumers. Product performance is rated at 0.1 and 0.25 in. static pressure at high speed based on tests conducted in an HVI-approved state-of-the-art test laboratory. Sones are a measure of humanly-perceived loudness, based on laboratory measurements.

\* Where noted performance rating is not HVI certified but was established in accordance with HVI Standardized test procedure.

\*\* Max. blower CFM indicates the performance of the hood blower in open air.

