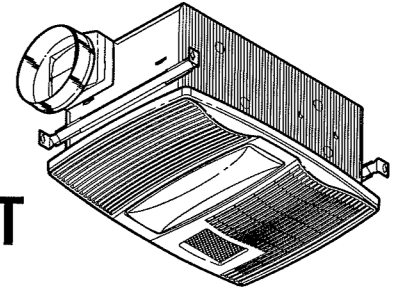


# MODEL QTX110HL COMBINATION UNIT HEATER / FAN / LIGHT / NIGHT LIGHT



### FEATURES

#### GRILLE:

- White polymeric grille
- Snap-in light diffusing lens for (2) 60W bulbs and 7W night light (not included)

#### VENTILATOR:

- Resilient anti-vibration mounts
- Plug-in, permanently lubricated motor
- Low sound, high performance blower wheel
- Polymeric, 6" round damper/duct connector - for optimal performance - with 1-1/8" long tapered sleeve and no metallic clatter

#### HEATER:

- 1500 watts, with metal blower wheel for efficient, even heating
- Plug-in, permanently lubricated motor - functions independent of ventilator

#### HOUSING:

- Rugged galvanized steel housing
- Adjustable mounting brackets span up to 24"
- Suitable for use in insulated ceilings (Type I.C.).
- Use Model 77DV (Ivory) / 77DW (White) Four Function Control

NOTE: For installation in ceilings up to a 12/12 pitch

### SPECIFICATIONS

MODEL	VOLTS	AMPS	STATIC PRESSURE	CFM	SONES	DUCT
QTX110HL	120	14.6	0.10	110	0.9	6" Round
			0.25	84		



HVI-2100 CERTIFIED RATINGS comply with new testing technologies and procedures prescribed by the Home Ventilating Institute, for off-the-shelf products, as they are available to consumers. Product performance is rated at 0.1 in. static pressure, based on tests conducted in a state-of-the-art test laboratory. Sones are a measure of humanly-perceived loudness, based on laboratory measurements.

### TYPICAL SPECIFICATION

Combination unit shall be Broan Model QTX110HL.

Unit shall have galvanized steel housing and adjustable mounting brackets.

Unit must be rated to handle a (2) 60W bulbs.

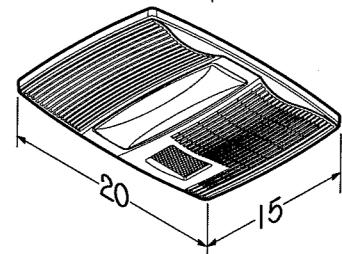
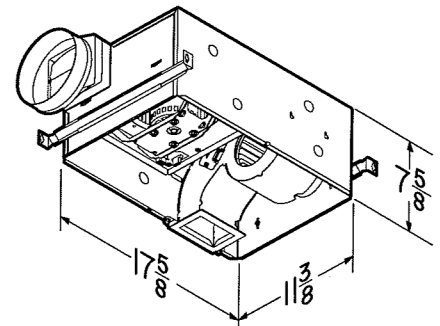
Fan, heater, light, and night light shall be separately controllable. Motor shall be permanently lubricated.

Heater to deliver 1500 Watts of fan-forced heat.

Air delivery shall be no less than 110 cfm and sound levels no greater than 0.9 sones. All air and sound ratings shall be certified by HVI.

Unit shall be UL listed.

Combination unit to be suitable for use in insulated ceilings. (Type I. C.)



Broan-NuTone LLC Hartford, Wisconsin www.broan.com 800-558-1711

REFERENCE	QTY.	REMARKS	Project
			Location
			Architect
			Engineer
			Contractor
			Submitted by
			Date