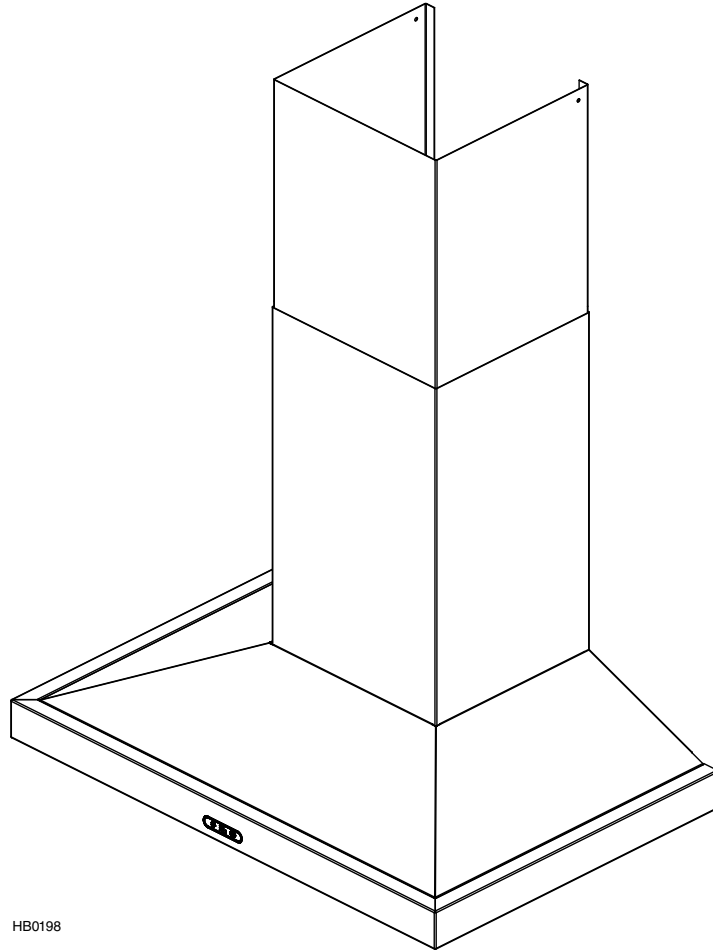


BROAN® *Elite*



HB0198

EW54 SERIES

⚠ INTENDED FOR DOMESTIC COOKING ONLY ⚠

READ AND SAVE THESE INSTRUCTIONS

INSTALLER: LEAVE THIS MANUAL WITH HOMEOWNER.
HOMEOWNER: USE AND CARE INFORMATION ON PAGE 13.



7 7 2 3 7 1 1 3 9 3 7 4

Broan-NuTone LLC; Hartford, Wisconsin

www.broan.com

1-800-558-1711

REGISTER YOUR PRODUCT ONLINE AT: www.broan.com

⚠ WARNING

TO REDUCE THE RISK OF FIRE, ELECTRIC SHOCK OR INJURY TO PERSONS, OBSERVE THE FOLLOWING:

1. Use this unit only in the manner intended by the manufacturer. If you have questions, contact the manufacturer at the address or telephone number listed in the warranty.
2. Before servicing or cleaning unit, switch power off at service panel and lock service disconnecting means to prevent power from being switched on accidentally. When the service disconnecting means cannot be locked, securely fasten a prominent warning device, such as a tag, to the service panel.
3. Installation work and electrical wiring must be done by qualified personnel in accordance with all applicable codes and standards, including fire-rated construction codes and standards.
4. Sufficient air is needed for proper combustion and exhausting of gases through the flue (chimney) of fuel burning equipment to prevent backdrafting. Follow the heating equipment manufacturer's guidelines and safety standards such as those published by the National Fire Protection Association (NFPA) and the American Society for Heating, Refrigeration and Air Conditioning Engineers (ASHRAE) and the local code authorities.
5. When cutting or drilling into wall or ceiling, do not damage electrical wiring and other hidden utilities.
6. Ducted fans must always be vented outdoors.
7. Do not use this unit with any solid-state speed control device.
8. To reduce the risk of fire, use only metal ductwork.
9. This unit must be grounded.
10. When applicable, local regulations comprise more restrictive installation and/or certification requirements, the aforementioned requirements prevail on those of this document and the installer agrees to conform to these at his own expense.

TO REDUCE THE RISK OF A RANGE TOP GREASE FIRE:

- a) Never leave surface units unattended at high settings. Boilovers cause smoking and greasy spillovers that may ignite. Heat oils slowly on low or medium settings.
- b) Always turn power hood ON when cooking at high heat or when flambeing food (i.e.: Crêpes Suzette, Cherries Jubilee, Peppercorn Beef Flambé).
- c) Clean ventilating fans frequently. Grease should not be allowed to accumulate on fan, filters or in exhaust ducts.
- d) Use proper pan size. Always use cookware appropriate for the size of the surface element.

⚠ WARNING

TO REDUCE THE RISK OF INJURY TO PERSONS IN THE EVENT OF A RANGE TOP GREASE FIRE, OBSERVE THE FOLLOWING*:

1. SMOTHER FLAMES with a close-fitting lid, cookie sheet or metal tray, then turn off the burner. BE CAREFUL TO PREVENT BURNS. IF THE FLAMES DO NOT GO OUT IMMEDIATELY, EVACUATE AND CALL THE FIRE DEPARTMENT.
2. NEVER PICK UP A FLAMING PAN — You may be burned.
3. DO NOT USE WATER, including wet dishcloths or towels — This could cause a violent steam explosion.
4. Use an extinguisher ONLY if:
 - A. You own a Class ABC extinguisher and you know how to operate it.
 - B. The fire is small and contained in the area where it started.
 - C. The fire department has been called.
 - D. You can fight the fire with your back to an exit.

* Based on "Kitchen Fire Safety Tips" published by NFPA.

CAUTION

1. For indoor use only.
2. For general ventilating use only. Do not use to exhaust hazardous or explosive materials and vapors.
3. To avoid motor bearing damage and noisy and/or unbalanced impellers, keep drywall spray, construction dust, etc. off power unit.
4. Your hood motor has a thermal overload which will automatically shut off the motor if it overheats. The motor will restart when it cools down. If the motor continues to shut off and restart, have the hood serviced.
5. The minimum hood distance above cooktop is 24" (30" over a gas range). A maximum of 30" above cooktop is recommended for best capture of cooking impurities.
6. Two installers are recommended because of the large size and weight of this unit.
7. To reduce the risk of fire and to properly exhaust air, be sure to duct air outside — Do not exhaust air into spaces within walls or ceiling or into attics, crawl space or garage.
8. Because of the high exhausting capacity of this hood, you should make sure enough air is entering the house. Open a window close to or in the kitchen.
9. To reduce the risk of fire and electrical shock, the Bron Elite EW54 Series models should only be installed with their own built-in blower.
10. When used in recirculation mode, to reduce the risk of fire and shock, use only conversion kit model HRKMBLS.
11. Please read specification label on product for further information and requirements.

1. PREPARE THE INSTALLATION

⚠ WARNING

When performing installation, servicing or cleaning the unit, it is recommended to wear safety glasses and gloves.

NOTE: Before proceeding to the installation, check the contents of the box. If items are missing or damaged, contact the manufacturer.

Make sure that the following items are included:

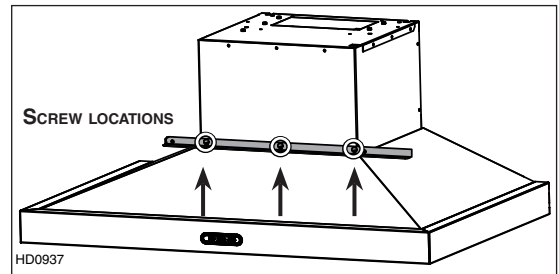
- Hood
- Accessories
 - Decorative flue assembly (lower and upper flues)
 - Hood mounting bracket
 - Upper flue mounting bracket
 - 2 micromesh filters
 - 6" round adapter/damper (for vertical discharge), in a bag
 - 3¼" x 10" adapter/damper (for horizontal or vertical discharge)
 - Suction cup (taped to one of the GU10 halogen bulbs)
 - Bag of parts including: 5 no. 8 x 1½" countersunk screws, 8 no. 8 x ¾" screws, 6 no. 8 x ⅜" screws, 6 drywall anchors, 3 washers, 2 no. 8 x 1/2" screws, 2 neoprene pieces. If need be, discard extra hardware.

Parts sold separately:

- Duct, elbows, wall or roof caps.
- Optional flue extension for 10-ft. ceilings model FXE54BLS.
- Non-duct kit model HRKMBSL, mandatory for non-ducted installation.

NOTE: The maximum ceiling height must not exceed 9 ft. when using a non-duct kit.

Before installation, remove and discard the shipping bracket (in grey) and its retaining screws. See illustration on the right.



2. SELECT INSTALLATION TYPE

NOTE: During the installation, protect countertop and/or cooktop.

2.1 NON-DUCTED INSTALLATION

The HRKMBSL non-duct kit is required for a non-ducted installation.

2.2 DUCTED INSTALLATION

Plan where and how the ductwork will be installed.

Install proper-sized ductwork, elbows and roof or wall cap depending on the type of installation. For vertical discharge, use 6" round or 3¼" x 10" ductwork and for horizontal discharge use 3¼" x 10" ductwork only. Use metal foil duct tape to seal duct joints.

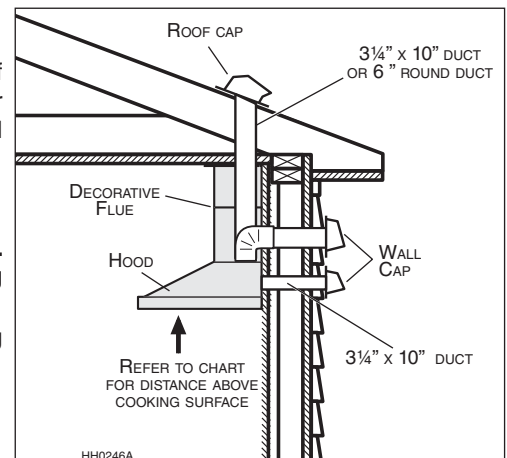
2.3 ALL INSTALLATIONS

The minimum hood distance above cooktop is 24" (30" over a gas range). A maximum of 30" above cooktop is recommended for best capture of cooking impurities.

Distances over 30" are at the installer and users discretion providing that ceiling height and decorative flue length allow it.

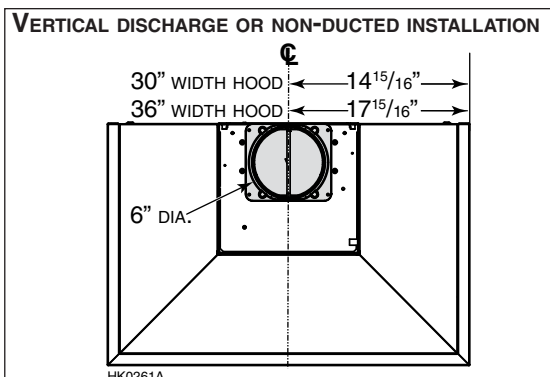
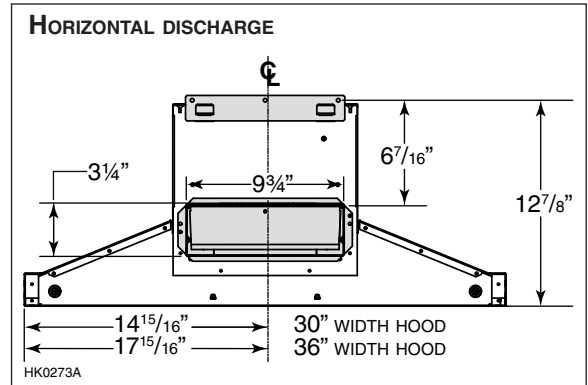
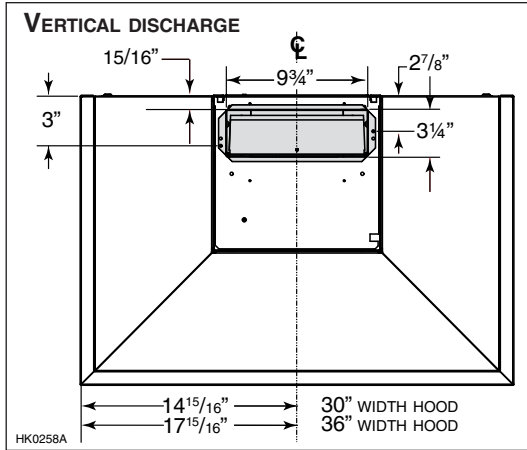
CEILING HEIGHT	MINIMUM HOOD DISTANCE ABOVE ELECTRIC RANGE COOKTOP	MINIMUM HOOD DISTANCE ABOVE GAS RANGE COOKTOP
8 FT.	24 IN.	30 IN.
9 FT.	28½ IN.	30 IN.
10 FT.*	28½ IN.	30 IN.

* 10-ft. ceilings require flue extension model FXE54BLS (sold separately).



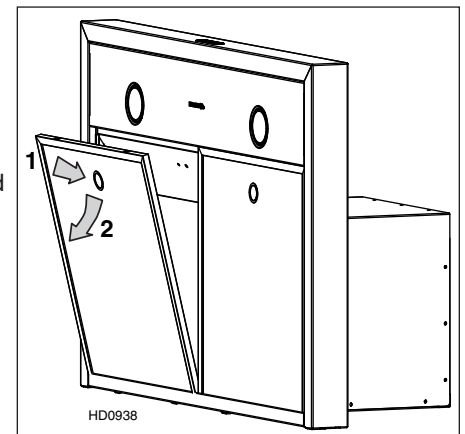
2. SELECT INSTALLATION TYPE (CONT'D)

Refer to illustrations below to locate duct opening according to discharge type chosen (grey parts to be installed later).



3. REMOVE GREASE FILTERS

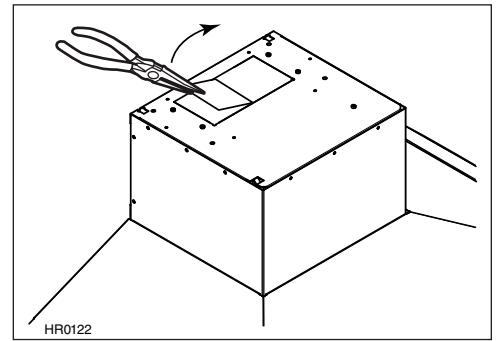
Rest the range hood on a table. Remove tapes on filters. Remove filters from the range hood by pushing them down (1) and tilting them (2). Set aside the filters. Remove both styrofoam pieces and tape from under the blower and discard.



4. CHOOSE THE OPENING

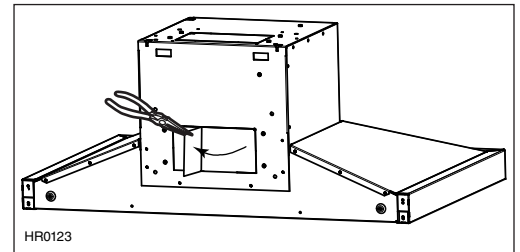
FOR VERTICAL DISCHARGE OR NON-DUCTED INSTALLATION:

From outside the unit, remove the knockout in order to clear vertical discharge opening (see illustration beside).



FOR HORIZONTAL DISCHARGE:

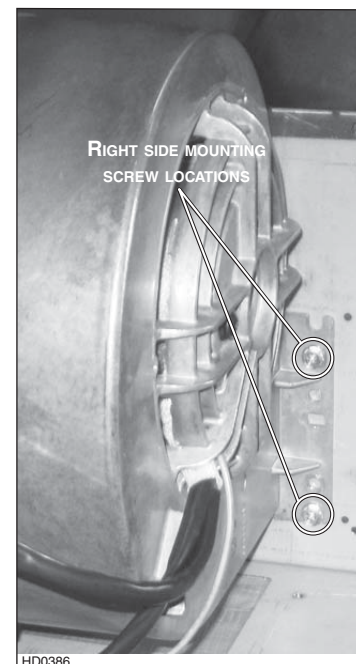
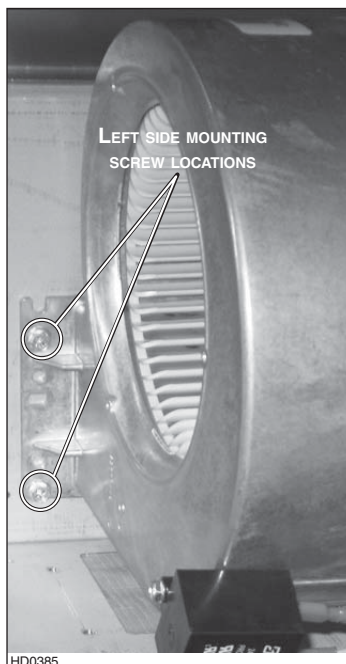
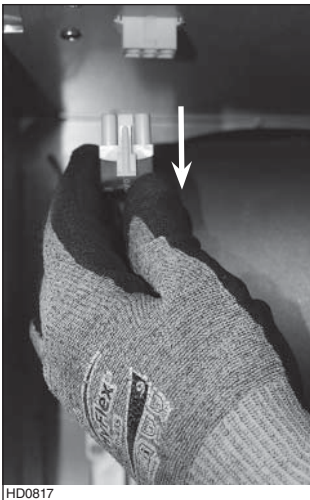
From outside the unit, remove the knockout from back of hood (see illustration beside).



5. BLOWER REMOVAL (HORIZONTAL DISCHARGE ONLY)

The EW54 Series range hoods are factory shipped with the blower mounted for a vertical discharge configuration. For a horizontal discharge configuration, disassemble the blower from the inner top of the hood (see procedure below). It will be assembled to the inner back of the hood once the hood is mounted on the wall.

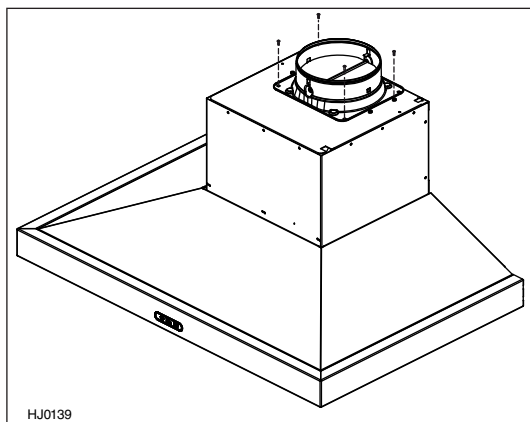
- 1) Unplug the blower.
- 2) Using a 5/16" socket, or a Robertson or a Phillips no. 2 screwdriver, remove the 4 blower mounting screws (2 on each side) from the inner top of the hood (see pictures below). Set the blower and screws aside.



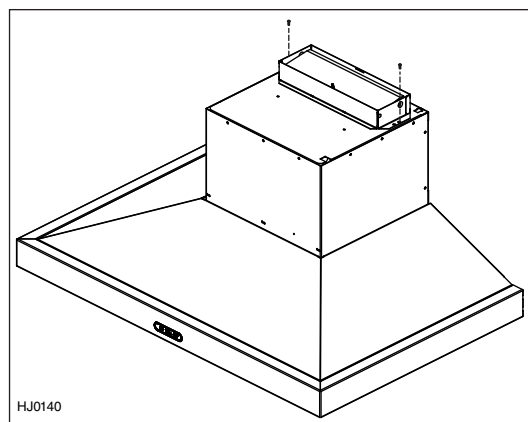
6. INSTALL ADAPTER/DAMPER (6" ROUND OR 3 1/4" x 10")

Mount the 6" round adapter/damper (included in bag) using 4 no. 8 x 3/8" screws (included) or the 3 1/4" x 10" adapter/damper to the hood using 2 no. 8 x 3/8" screws (included). Seal the adapter/damper to the hood using metal foil duct tape.

VERTICAL DISCHARGE 6" ROUND AND NON-DUCTED INSTALLATION ONLY



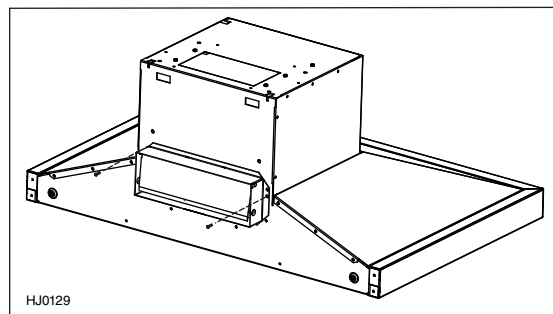
VERTICAL DISCHARGE 3 1/4" x 10"



Secure the adapter/damper to the back of the hood using 2 no. 8 x 3/8" screws (included). Seal the adapter/damper to the hood using metal foil duct tape.

NOTE: The wall ducting must be properly prepared to receive the adapter. Before performing the installation, make sure the adapter fits easily in the duct.

HORIZONTAL DISCHARGE 3 1/4" x 10" ONLY



7. WIRING INSTALLATION

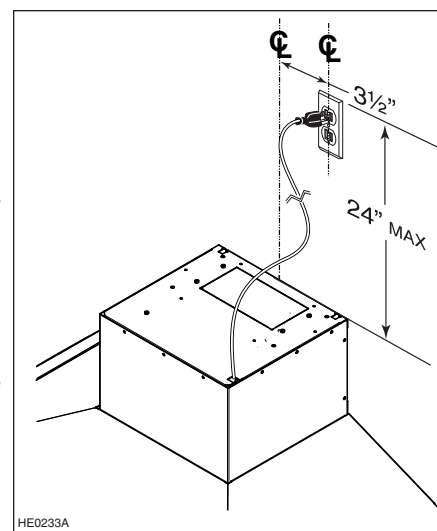
⚠ WARNING

Improper grounding can result in a risk of electric shock. Consult a qualified electrician if the grounding instructions are not completely understood, or if there is any doubt as to whether the appliance is properly grounded. Do not use an extension cord. If the power supply cord is too short, have a qualified electrician install an outlet near the appliance, in accordance with all applicable codes and standards. Turn off electrical power at service entrance before wiring.

GROUNDING INSTRUCTIONS

This appliance must be grounded. In the event of an electrical short circuit, grounding reduces the risk of electric shock by providing an escape wire for the electric current. This appliance is equipped with a cord having a grounding wire with a grounding plug. The plug must be plugged into an outlet that is properly installed and grounded.

Position the outlet within the space covered by the decorative flue. Place the outlet at a maximum distance of 24" (from where the cord exits from the hood). The center of the outlet must be positioned at 3 1/2" from the center of the future hood location (as illustrated beside). Make sure this does not interfere with a mounting bracket fastening area or with the decorative flue (where the flue touches the wall).

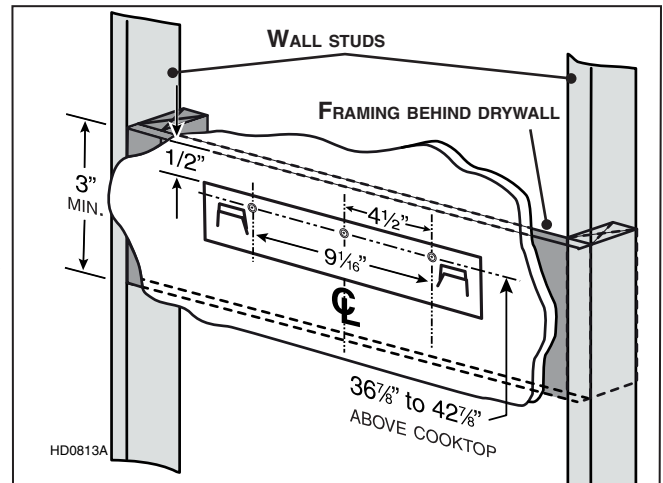


8. INSTALL HOOD MOUNTING BRACKET

⚠ WARNING

When cutting or drilling into wall, do not damage electrical wiring and other hidden utilities.

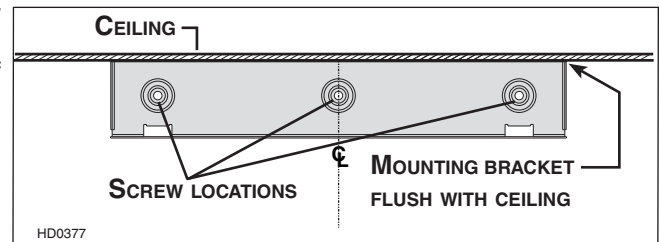
Construct wood wall framing that is even with the surface of wall studs. Wood wall framing must be at least 1/2" thick and 3" high. Fasten wood wall framing to wall studs for a solid installation. Make sure that the height of the framing will allow the mounting bracket to be secured to the framing within the dimensions shown. After wall surface is finished, carefully center and level the hood mounting bracket over installation location. Secure it to wall framing using 3 no. 8 x 1 1/2" screws. Using a level, draw a vertical line up to the ceiling starting from the mounting bracket center.



36⁷/₈" = BOTTOM OF HOOD 24" ABOVE COOKTOP
42⁷/₈" = BOTTOM OF HOOD 30" ABOVE COOKTOP

9. INSTALL UPPER FLUE MOUNTING BRACKET (DUCTED INSTALLATION ONLY)

Center the upper flue mounting bracket with the center line previously drawn in step 8 and place it flush with the ceiling. Use the upper flue mounting bracket as a template to mark the position of its screws. Drill the 3 screw holes using a 3/16" drill bit. Insert the included drywall anchors into the drilled holes (1 per hole). Secure the upper flue bracket to the wall using 3 no. 8 x 3/4" screws. Ensure that the bracket is tight against the wall.



10. INSTALL THE HOOD

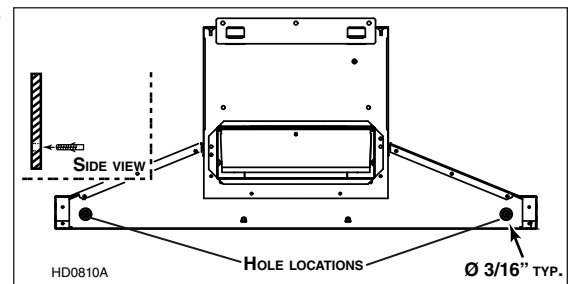
⚠ WARNING

BE CAREFUL when installing the decorative flue and hood, they may have sharp edges.

CAUTION

DO NOT REMOVE the protective plastic film covering the decorative flue (upper & lower) yet.

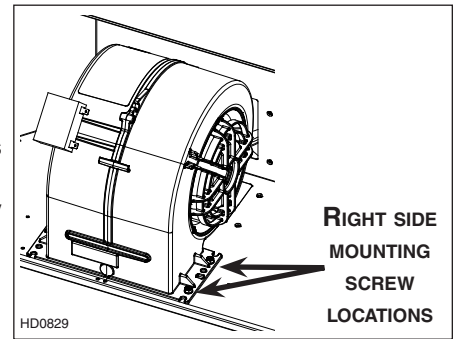
1. Align the hood and center it above the hood mounting bracket. Gently lower the hood until it securely engages the bracket.
2. Level the hood.
3. With the hood hanging in place, mark both hole locations on wall (2 embossed holes on back of hood; see illustration at right).
4. Remove the hood.
5. Drill through both marked holes on wall using a 3/16" drill bit. Insert the included drywall anchors into the drilled holes (one for each hole).
6. Hang the hood to the wall bracket.
7. Secure the hood to the wall using 2 no. 8 x 3/4" screws and 2 washers.



NOTE: ILLUSTRATION ABOVE REPRESENTS HORIZONTAL EXHAUST CONFIGURATION, BUT IT ALSO APPLIES TO ALL CONFIGURATIONS.

11. REINSTALL BLOWER (HORIZONTAL DISCHARGE ONLY)

1. Position the blower on the inner back of the hood, as shown on the right.
2. Using a 5/16" socket, or a Robertson or a Phillips no. 2 screwdriver and the 4 screws previously removed, secure the blower to the hood.
NOTE: In order to ease installation, before mounting the blower, prepare the screw holes by screwing all 4 screws without the blower, then remove and mount the blower.
3. Plug the blower connector back in and plug hood power cord into the outlet.

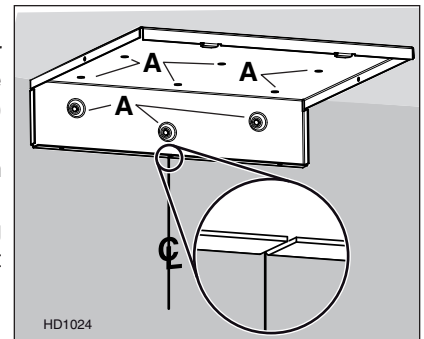


12. PLENUM INSTALLATION (NON-DUCTED INSTALLATION ONLY)

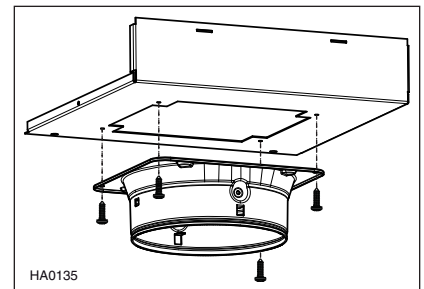
Remove the shipping tape retaining the lower and upper plenum plates with the 6" round adapter together. Carefully align the upper plenum plate central notch with the line traced in step 8 (see inset at right) and place it flush to the ceiling. Use the plate as a template to mark the position (A) of its screws.

NOTE: To ease installation, there are many screw configurations: 6 in ceiling and 2 in wall, on each side. Only 4 screws are needed to hold the top plenum plate.

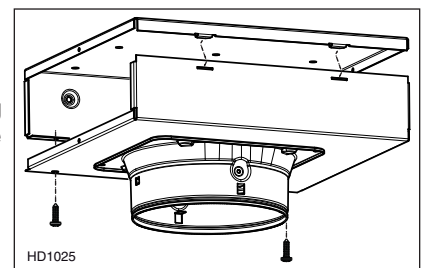
Insert the included drywall anchors in the marked holes, then secure the upper plate using 4 no. 8 x 3/4" screws and washers (included with non-duct kit). Make sure the plate is tight against the wall and ceiling.



Using 4 no. 8 x 3/8" provided screws, assemble the 6" round adapter to the lower plenum plate.



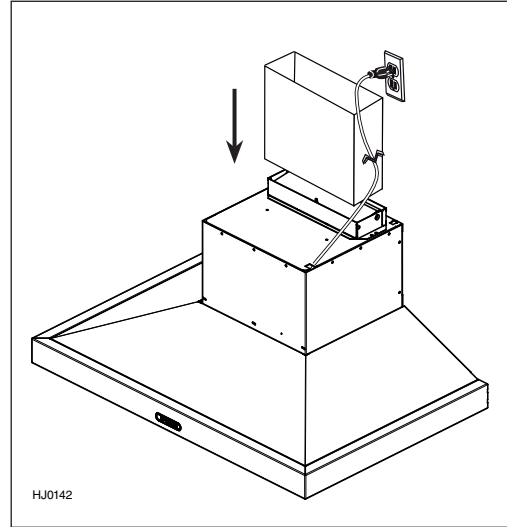
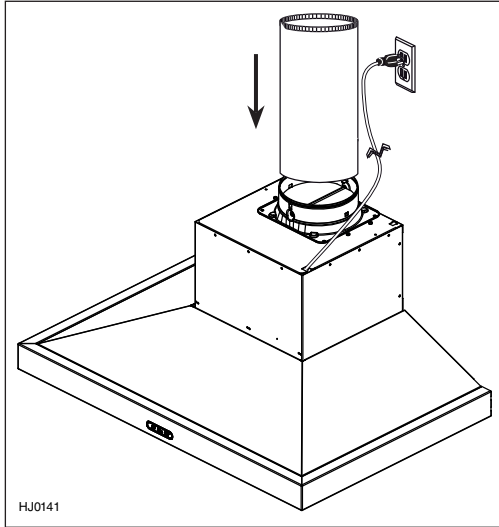
Assemble the lower plenum plate and 6" round adapter assembly to the upper plate by inserting both tabs of the top plenum plate to their corresponding slots in lower plenum plate. Secure the plenum assembly using 2 no. 8-18 x 3/8" screws (included).



13. DUCT CONNECTION (VERTICAL DISCHARGE AND NON-DUCTED INSTALLATION ONLY)

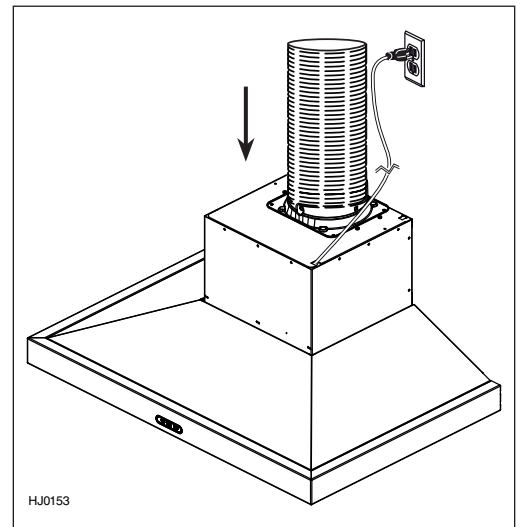
VERTICAL DISCHARGE:

Plug hood power cord into the outlet. Slide a 6" round or a 3 1/4" x 10" metal duct over the adapter/damper on the hood. Use metal foil duct tape to seal the joint.

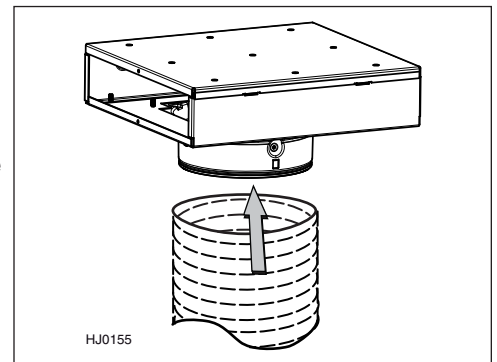


NON-DUCTED INSTALLATION:

Plug hood power cord into the outlet. Slide a 6" round flexible metal duct (included) over the adapter/damper on the hood. Use metal foil duct tape to seal the joint.



Stretch the flexible metal duct up to the plenum, over the adapter. Use metal foil duct tape to seal the joint.



14. PREPARE THE DECORATIVE FLUE

DUCTED INSTALLATION:

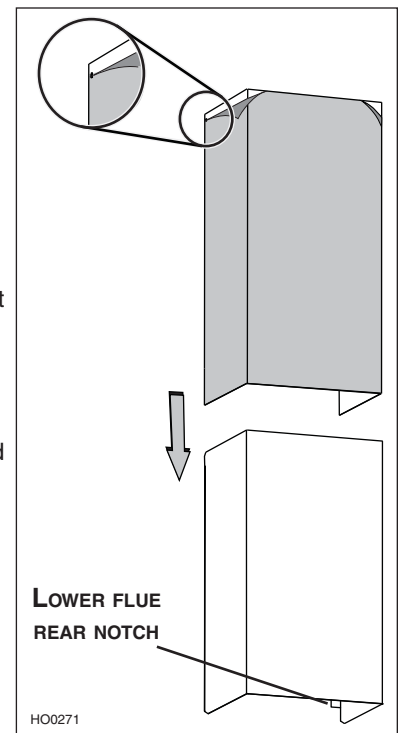
Remove protective plastic film covering the lower flue only.

Peel off both corners at the top of the upper flue (note that upper part has one hole on left and right sides; see image on the right).

Position the lower flue rear notches down.

Gently slide upper flue inside lower flue.

Both lower and upper flues are included with the hood, but for a 10-foot ceiling, discard the provided upper flue and use the optional flue extension, part no. FXE54BLS (sold separately).



NON-DUCTED INSTALLATION:

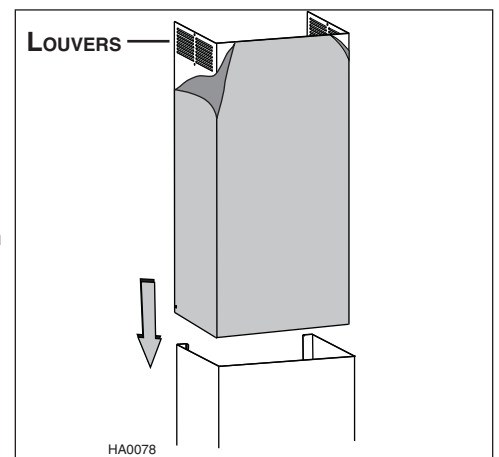
Remove protective plastic film covering the lower flue only.

NOTE: Do not use the upper decorative flue included with the hood.

Peel off the plastic film covering both top corners of the upper decorative flue (included with the non-duct kit).

Position the lower flue rear notches down (the ones with the 45° angle).

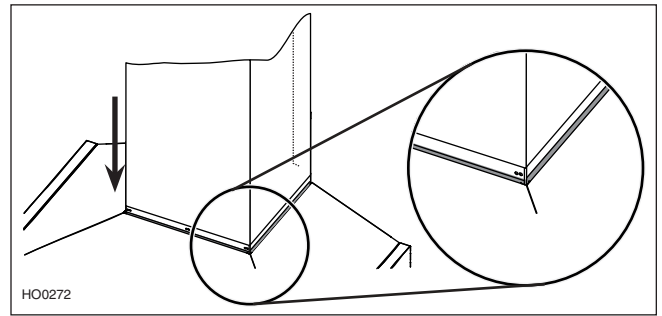
Gently slide upper flue inside lower flue, louvers end up.



15. INSTALL DECORATIVE FLUE

ALL INSTALLATIONS:

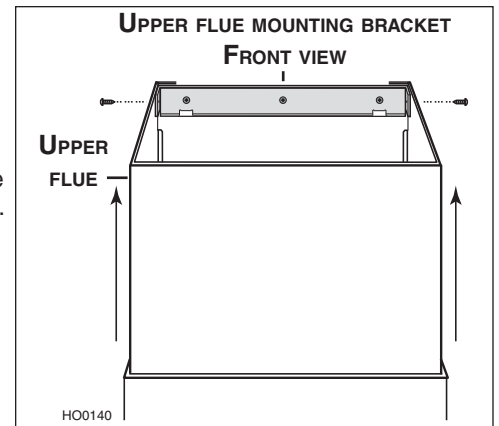
Carefully slide in place decorative flue base (notches end first) in the groove (shaded part in inset at right) behind the exterior wall of the top of the hood.



DUCTED INSTALLATION:

Slide up the upper flue until it is aligned with its mounting bracket. The bracket must be inside the flue. Secure the upper flue to its bracket using 2 no. 8 x 3/8" screws (included). See illustration beside.

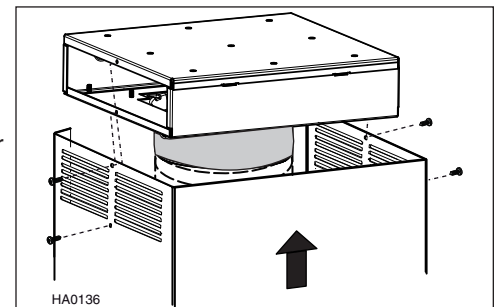
NOTE: Duct not shown in illustration to ease understanding.



NON-DUCTED INSTALLATION:

Slide the upper flue up to the ceiling. The plenum must be inside the flue. Secure the upper flue to the plenum sides using 4 no. 8 x 1/2" black screws (2 per side, included).

NOTE: Ceiling not shown in illustration to ease understanding.

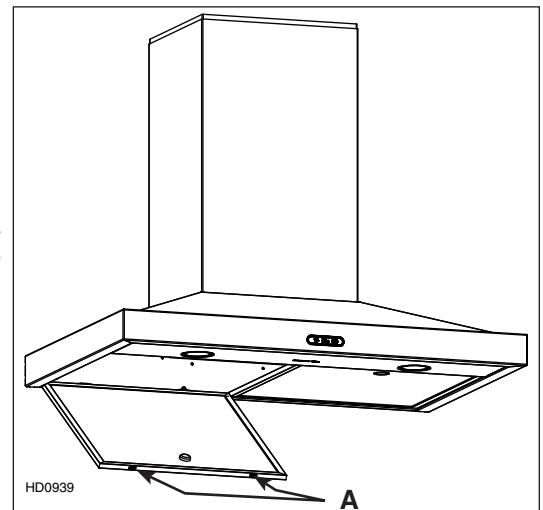


ALL INSTALLATIONS:

Remove protective plastic film covering the upper flue.

16. REINSTALL FILTERS

Rest filters springs in range hood inside rear groove. Using finger cup, tilt up the filters into position. Make sure both screws located in the front panel edge of the hood are securely engaged in both filters oval holes (**A**) after installation.

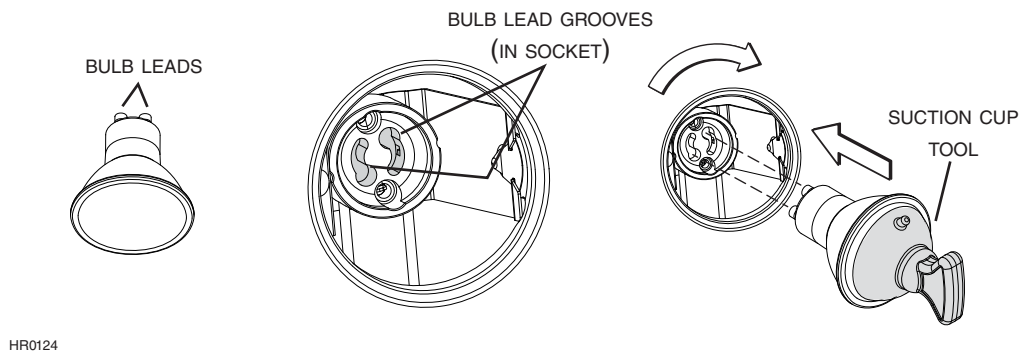


17. LIGHTING

The Broan Elite EW54 Series range hoods require two shielded Halogen Bulbs (120 V, 50 W max., MR16 or PAR16 with GU10 base), included. See service parts list for replacement bulbs.

⚠ WARNING

Do not touch lamps during or soon after operation. Burns may occur. In order to prevent the risk of personal injury, only install shielded halogen lamps. Also, never install a cool beam, a dichroic lamp, a lamp not suitable for use in recessed luminaires or identified for use in enclosed fixtures.



1. Align the bulb leads with the small indentations located on the border of the lamp location on hood (see inset above), then install the bulbs by placing the bulb leads into their grooves in the socket.
2. Gently push upwards and turn clockwise until secure.

NOTE: The suction cup tool (included with hood) can be used to install and remove light bulbs. Press suction cup tool on bulb and rotate counterclockwise to remove bulb or clockwise to install bulbs.

CAUTION

Most GU10 LED replacement bulbs commonly found on the market are not designed for use in a cooking environment and might not perform as advertised. Their usage with this product is not recommended.

18. CARE

⚠ WARNING

Before servicing or cleaning the unit, switch power off at service panel and lock service panel to prevent power from being switched on accidentally. When the service disconnecting means cannot be locked, securely fasten a prominent warning device, such as a tag, to the service panel.

Grease Filters

The grease filters should be cleaned frequently. Use a warm dishwashing detergent solution. Grease filters are dishwasher safe. Clean all-metal filters in the dishwasher using a non-phosphate detergent. Discoloration of the filters may occur if using phosphate detergents, or as a result of local water conditions - but this will not affect filter performance. This discoloration is not covered by the warranty. To minimize or prevent discoloration, hand wash filters using a mild detergent.

Hood cleaning

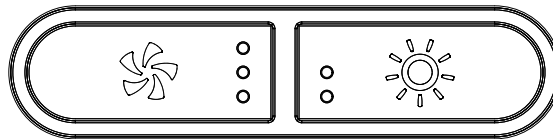
Do:	Don't:
<ul style="list-style-type: none">Regularly wash with clean cloth or rag soaked with warm water and mild phosphate-free soap or liquid dish detergent.Always clean in the direction of original polish lines.Always rinse well with clear water (2 or 3 times) after cleaning. Wipe dry completely.You may also use a specialized household stainless steel cleaner	<ul style="list-style-type: none">Use any steel or stainless steel wool or any other scrapers to remove stubborn dirt.Use any harsh or abrasive cleansers.Allow dirt to accumulate.Let plaster dust or any other construction residues reach the hood. During construction/renovation, cover the hood to make sure no dust sticks to stainless steel surface.

Avoid when choosing a detergent:

- Any cleaners that contain **bleach** will attack stainless steel.
- Any products containing: **chloride, fluoride, iodide, bromide** will deteriorate surfaces rapidly.
- Any combustible products used for cleaning such as **acetone, alcohol, ether, benzol**, etc., are highly explosive and should never be used close to a range.

19. OPERATION

Always turn ON your hood before you begin cooking in order to establish an air flow in the kitchen. Let the blower run for a few minutes to clear the air after you turn off the range. This will help keep the whole kitchen cleaner and fresher.



BLOWER BUTTON

When blower is OFF, press this button to turn ON the blower at the last saved speed. If there was no speed saved, the blower will be set on LOW speed.

NOTE: When LOW speed is activated from OFF, the blower starts on MEDIUM speed for a very short lapse of time, and then resume to LOW speed.

To change the blower speed, press on this button again until the desired speed is reached (from LOW to MEDIUM to HIGH speed to OFF). Each time a blower speed is activated, a beep is heard and LED indicators light up to show the corresponding speed chosen (lower LED for LOW speed, lower and center LEDs for MEDIUM speed and all LEDs for HIGH speed).

When blower is on (no matter the speed level), press and hold this button until the beep sound ends; this will turn off the blower and save this blower speed to memory.

LIGHT BUTTON

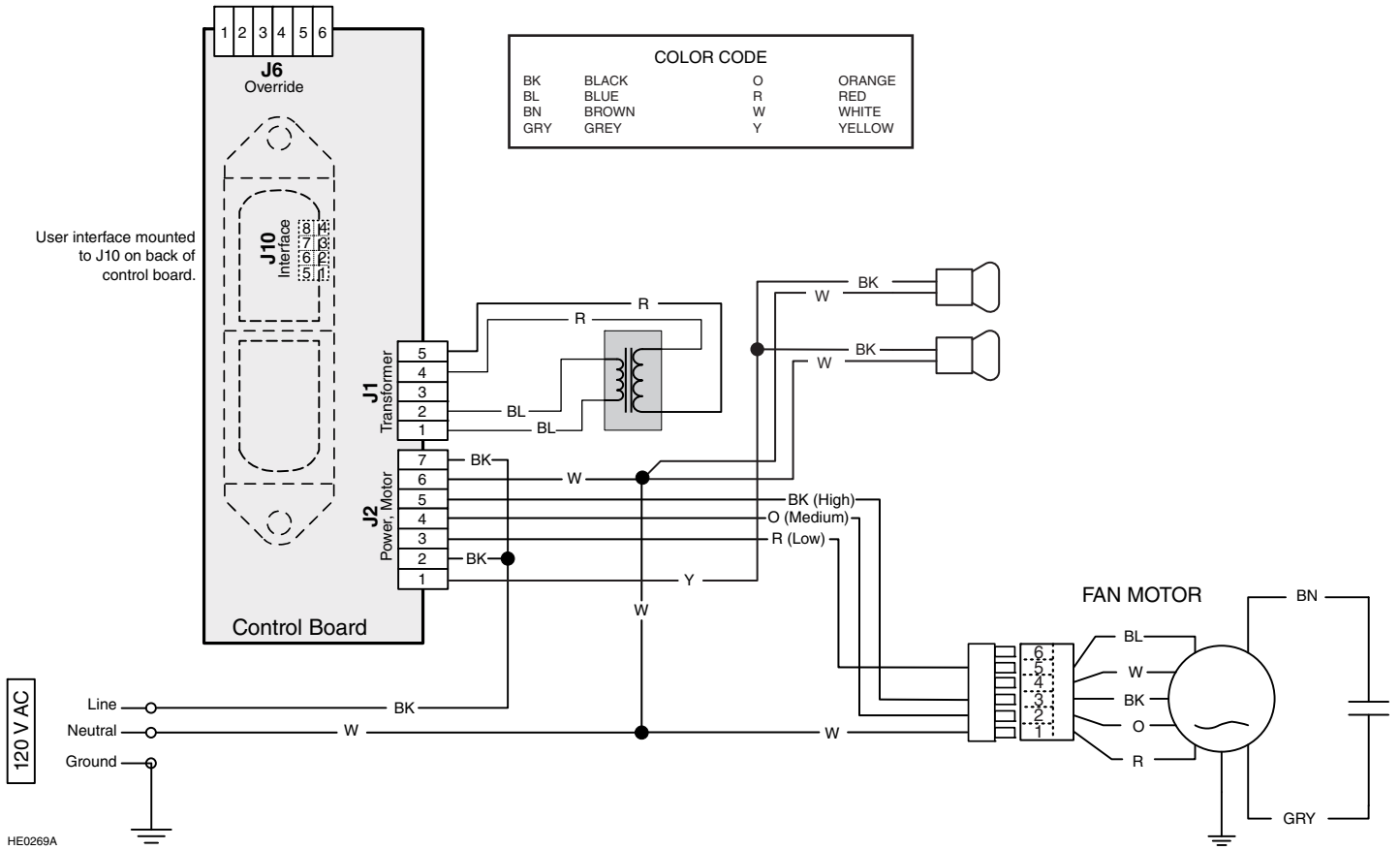
When lights are OFF, press once on this button to turn ON the lights at the last saved setting. If there was no light setting saved, the lights will be set on LOW intensity. Press another time to set the lights on HIGH intensity. Pressing another time after the HIGH setting will turn OFF the lights. Each time the lights are turned ON, a beep is heard and LED indicators light up to show the corresponding intensity chosen (lower LED for LOW and both LEDs for HIGH).

When lights are on (no matter the lighting level), press and hold this button until the beep sound ends; this will turn off the lights and save the chosen light intensity.

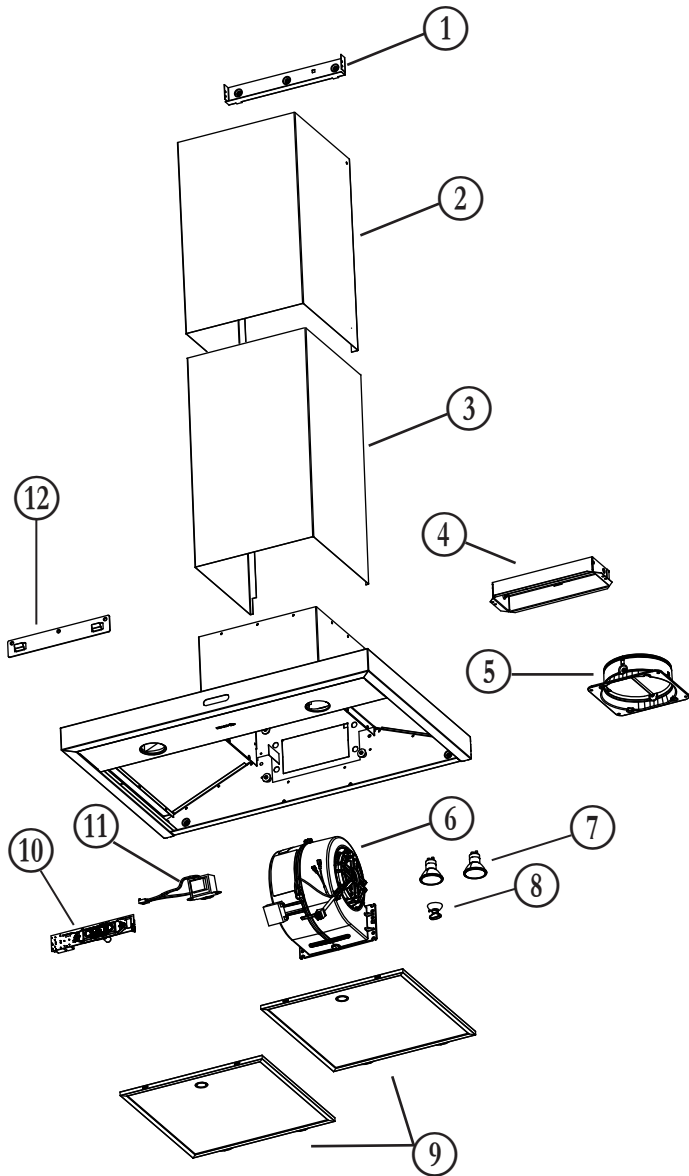
FILTER CLEANING REMINDER

When it is time to clean the hood and filters, the 3 blower button LED indicators will flash slowly for 30 seconds after turning the blower OFF. This will happen every time the blower is turned OFF until the filter cleaning reminder has been reset. Once the cleaning is done, reset the filter cleaning reminder indicators by pressing on blower button for 3 seconds during the 30 seconds the 3 blower button LED indicators flash slowly.

20. WIRING DIAGRAM



21. SERVICE PARTS



ITEM No.	PART No.	DESCRIPTION	QUANTITY	
			30"	36"
1	SV63673	UPPER FLUE MOUNTING BRACKET	1	1
2	SV63665	UPPER DECORATIVE FLUE	1	1
3	SV63664	LOWER DECORATIVE FLUE	1	1
4	SV13296	3/4" x 10" ADAPTER/DAMPER	1	1
5	SV08487	6" ROUND ADAPTER/DAMPER	1	1
6	SV08582	INTERNAL BLOWER (INCLUDING CAPACITOR)	1	1
7	SV05921	SHIELDED HALOGEN BULBS 120 V, 50 W, GU10 TYPE	2	2
8	SV09983	SUCTION CUP	1	1
9	99010355	MICROMESH FILTER (1)	2	2
10	S97020436	CAPTUCH CONTROL LED, BLACK (WITH SCREWS)	1	1
11	S97020445	TRANSFORMER	1	1
12	SV09014	HOOD MOUNTING BRACKET	1	1
*	SV23136	INSTALLATION GUIDE	1	1
*	SV23135	WIRE HARNESS	1	1
*	SV09027	PARTS BAG: 5 NO. 8 x 1 1/2" COUNTERSUNK SCREWS, 8 NO. 8 x 3/4" SCREWS 6 NO. 8 x 3/8" SCREWS 6 DRYWALL ANCHORS, 3 WASHERS, 2 NO. 8 x 1/2" SCREWS 2 NEOPRENE PIECES	1	1

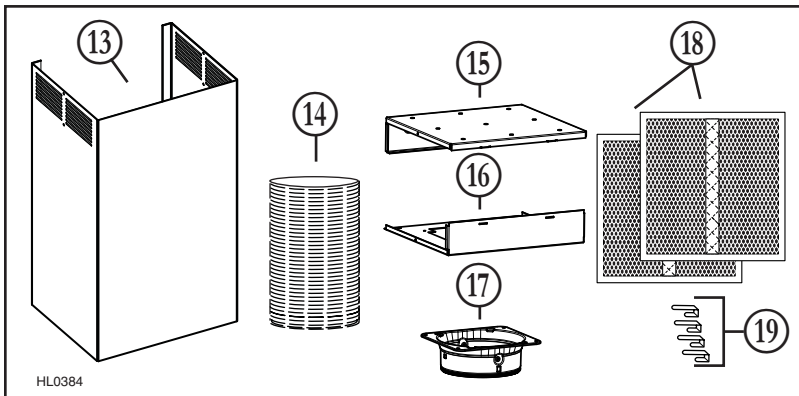
* NOT SHOWN

REPLACEMENT PARTS AND REPAIRS

In order to ensure your unit remains in good working condition, you must use Broan-NuTone LLC genuine replacement parts only. Broan-NuTone LLC genuine replacement parts are specially designed for each unit and are manufactured to comply with all the applicable certification standards and maintain a high standard of safety. Any third party replacement part used may cause serious damage and drastically reduce the performance level of your unit, which will result in premature failing. Broan-NuTone LLC recommends to contact a certified service depot for all replacement parts and repairs.

HL0318

NON-DUCT KIT MODEL HRKMBSL



HL0384

KEY No.	PART No.	DESCRIPTION	QTY.
13	SV63629	NON-DUCT KIT UPPER DECORATIVE FLUE CHIMNEY, BLACK STAINLESS STEEL	1
14	SV22756	6" ROUND METAL FLEXIBLE DUCT	1
15	SV63626	UPPER PLENUM PLATE	1
16	SV63627	LOWER PLENUM PLATE	1
17	SV08487WD	6" ROUND ADAPTER	1
18	SV22758	CHARCOAL FILTER (PAIR) (INCLUDING ITEM 18)	1
19	S99527587	CHARCOAL FILTER CLIP (SET OF 4)	1
*	SV05803	PARTS BAG: 10 NO. 8-18 x 3/8" SCREWS, 4 NO. 8 x 1/2" BLACK SCREWS, 9 NO. 8-18 x 3/4" SCREWS, 4 WASHERS, 9 DRYWALL ANCHORS, 6 NO. 6 x 1/2" SCREWS.	1

* NOT SHOWN.

22. WARRANTY

ONE YEAR LIMITED WARRANTY FOR BROAN ELITE PRODUCTS

Broan-NuTone LLC (Broan-NuTone) warrants to the original consumer purchaser of Broan Elite products that such products will be free from defects in materials or workmanship for a period of one year from the date of original purchase. THERE ARE NO OTHER WARRANTIES, EXPRESS OR IMPLIED, INCLUDING, BUT NOT LIMITED TO, IMPLIED WARRANTIES OR MERCHANTABILITY OR FITNESS FOR A PARTICULAR PURPOSE.

During this one-year period, Broan-NuTone will, at its option, repair or replace, without charge, any product or part which is found to be defective under normal use and service.

THIS WARRANTY DOES NOT EXTEND TO FLUORESCENT LAMP STARTERS, TUBES, HALOGEN AND INCANDESCENT BULBS, FUSE, FILTERS, DUCTS, ROOF CAPS, WALL CAPS AND OTHER ACCESSORIES FOR DUCTING. This warranty does not cover (a) normal maintenance and service or (b) any products or parts which have been subject to misuse, negligence, accident, improper maintenance or repair (other than by Broan-NuTone), faulty installation or installation contrary to recommended installation instructions.

The duration of any implied warranty is limited to the one-year period as specified for the express warranty. Some States do not allow limitation on how long an implied warranty lasts, so the above limitation may not apply to you.

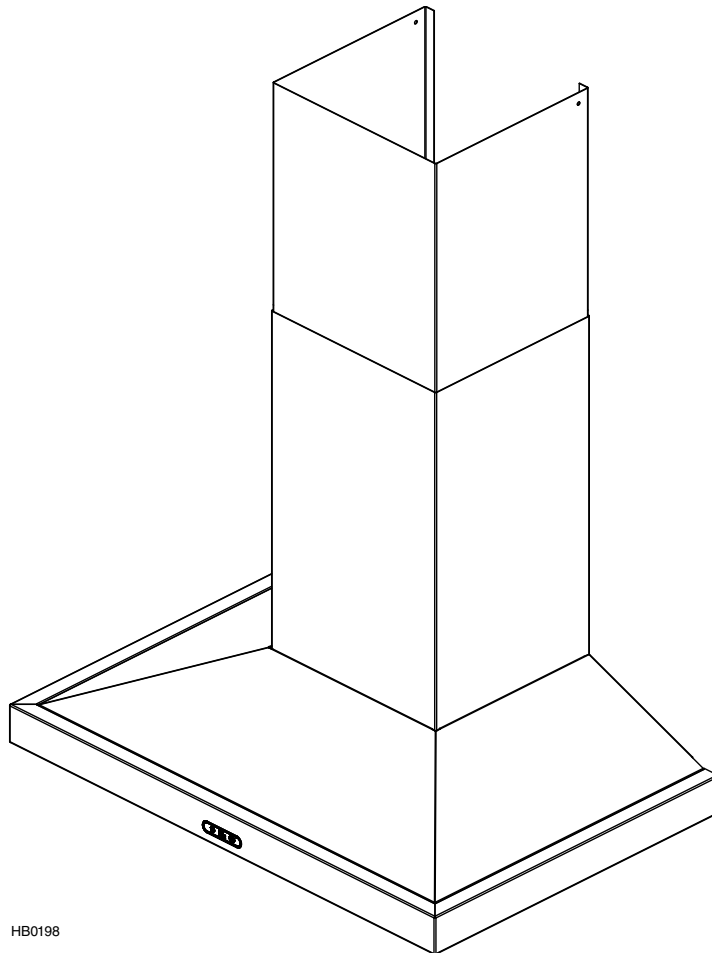
BROAN-NUTONE'S OBLIGATION TO REPAIR OR REPLACE, AT BROAN-NUTONE'S OPTION, SHALL BE THE PURCHASER'S SOLE AND EXCLUSIVE REMEDY UNDER THIS WARRANTY. BROAN-NUTONE SHALL NOT BE LIABLE FOR INCIDENTAL, CONSEQUENTIAL OR SPECIAL DAMAGES ARISING OUT OF OR IN CONNECTION WITH PRODUCT USE OR PERFORMANCE. Some States do not allow the exclusion or limitation of incidental or consequential damages, so the above limitation or exclusion may not apply to you.

This warranty gives you specific legal rights, and you may also have other rights, which vary from State to State. This warranty supersedes all prior warranties.

To qualify for warranty service, you must (a) notify Broan-NuTone at one of the addresses or telephone number stated below, (b) give the model number and part identification and (c) describe the nature of any defect in the product or part. At the time of requesting warranty service, you must present evidence of the original purchase date.

Broan-NuTone LLC; 926 W. State Street, Hartford, Wisconsin 53027 www.broan.com 1-800-558-1711

BROAN® *Elite*



HB0198

SÉRIE EW54

⚠ CONÇUES UNIQUEMENT POUR LA CUISSON DOMESTIQUE ⚠

LIRE ET CONSERVER CES DIRECTIVES

INSTALLATEUR: LAISSER CE GUIDE AU PROPRIÉTAIRE.
PROPRIÉTAIRE: DIRECTIVES D'UTILISATION ET D'ENTRETIEN
EN PAGE 13.

Broan-NuTone LLC; Hartford, Wisconsin www.broan.com 1-800-558-1711

ENREGISTREZ VOTRE PRODUIT EN LIGNE À: www.broan.com

⚠ AVERTISSEMENT

AFIN DE RÉDUIRE LES RISQUES D'INCENDIE, D'ÉLECTROCUTION OU DE BLESSURES CORPORELLES, SUIVEZ LES DIRECTIVES CI-DESSOUS :

1. N'utilisez cet appareil que de la façon prévue par le fabricant. Si vous avez des questions, contactez le fabricant à l'adresse ou au numéro de téléphone indiqués dans la garantie.
2. Avant de réparer ou de nettoyer l'appareil, couper l'alimentation électrique en verrouillant le panneau de distribution afin d'éviter sa remise en marche accidentelle. Si le panneau de distribution ne peut être verrouillé, y fixer un avertissement en évidence, telle qu'une étiquette de couleur vive.
3. Les travaux d'installation et de raccordement électrique doivent être effectués par une personne qualifiée, conformément aux codes et aux standards de construction, incluant ceux qui concernent la protection contre les incendies.
4. Une quantité d'air adéquate est requise afin d'assurer une bonne combustion et l'évacuation des gaz par la cheminée dans le cas des équipements alimentés au gaz afin de prévenir les retours de cheminée. Suivez les instructions et conformez-vous aux standards de sécurité des fabricants d'équipement de chauffage, tel qu'ils sont publiés par la National Fire Protection Association (NFPA) et l'American Society for Heating, Refrigeration and Air Conditioning Engineers (ASHRAE) ainsi que les responsables des codes locaux.
5. Veillez à ne pas endommager le câblage électrique ou d'autres équipements non apparents lors de la découpe ou du perçage du mur ou du plafond.
6. Les ventilateurs avec conduits doivent toujours évacuer l'air à l'extérieur.
7. Ne pas utiliser cet appareil avec une commande de vitesse à semi-conducteur additionnelle.
8. Afin de réduire les risques d'incendie, n'utilisez que des conduits de métal.
9. Cet appareil doit être mis à la terre.
10. Lorsqu'une réglementation est en vigueur et qu'elle comporte des exigences d'installation et/ou de certification plus restrictives, lesdites exigences prévalent sur celles de ce document et l'installateur entend s'y conformer à ses frais.

AFIN DE RÉDUIRE LES RISQUES DE FEU DE CUISINIÈRE :

- a) Ne jamais laisser les appareils de cuisson sans surveillance lorsqu'ils sont réglés à feu vif. Les débordements engendrent de la fumée et des déversements graisseux pouvant s'enflammer. Chauffez l'huile lentement, à feu doux ou moyen.
- b) Mettez toujours la hotte en marche lorsque vous cuisinez à feu vif ou que vous cuisinez des mets flambés (par ex. : crêpes Suzette, cerises jubiléées, steaks au poivre flambés).
- c) Nettoyez régulièrement le ventilateur. Ne laissez pas la graisse s'accumuler sur le ventilateur, les filtres ou les conduits d'évacuation.
- d) Utilisez le bon format de casserole. Servez-vous toujours de casseroles et d'ustensiles appropriés selon la dimension de la surface chauffante.

⚠ AVERTISSEMENT

AFIN D'ÉVITER TOUT RISQUE DE BLESSURES LORS D'UN FEU DE CUISINIÈRE, SUIVEZ CES DIRECTIVES* :

1. Éteignez les flammes avec un couvercle hermétique, une tôle à biscuits ou un plateau métallique et ensuite, éteindre le brûleur. PRENEZ SOIN D'ÉVITER LES BRÛLURES. SI LES FLAMMES NE S'ÉTEIGNENT PAS IMMÉDIATEMENT, ÉVACUEZ LES LIEUX ET APPELEZ LES POMPIERS.
2. NE PRENEZ JAMAIS UNE CASSEROLE EN FLAMMES DANS VOS MAINS. Vous pourriez vous brûler.
3. N'UTILISEZ PAS D'EAU, incluant un linge à vaisselle ou une serviette mouillée, cela pourrait occasionner une violente explosion de vapeur.
4. N'utilisez un extincteur QUE DANS LE CAS OÙ :
 - A. Vous savez qu'il s'agit d'un extincteur de classe ABC et que vous en connaissez le fonctionnement.
 - B. Le feu est petit et limité à l'endroit où il a débuté.
 - C. Les pompiers ont été avisés.
 - D. Vous pouvez combattre le feu en ayant accès à une sortie de secours.

*Tirées du *Kitchen Fire Safety Tips* publié par la NFPA.

ATTENTION

1. Pour une utilisation à l'intérieur seulement.
2. Pour usage domestique seulement. Ne pas utiliser pour évacuer des vapeurs ou des matières dangereuses ou explosives.
3. Afin d'éviter tout dommage au moteur ou de déséquilibrer ou de rendre bruyante la roue du moteur, garder votre appareil à l'abri des poussières de gypse et de construction/ rénovation, etc.
4. Le moteur de votre hotte possède une protection thermique qui arrêtera automatiquement le moteur s'il surchauffe. Le moteur redémarrera automatiquement une fois refroidi. Si le moteur continue à arrêter et à redémarrer, faites-le vérifier.
5. Pour une meilleure évacuation des odeurs de cuisson, le bas de votre hotte devrait être situé à un minimum de 24 po (30 po pour une cuisinière à gaz) et à un maximum de 30 po au-dessus de la table de cuisson.
6. Deux installateurs sont recommandés lors de l'installation vu la grande dimension et le poids de cette hotte.
7. Afin de réduire les risques d'incendie, assurez-vous d'évacuer l'air à l'extérieur. Ne pas évacuer l'air dans des espaces restreints comme l'intérieur des murs ou plafonds ou dans le grenier, faux plafond ou garage.
8. En raison de la grande capacité d'évacuation de cette hotte, il est recommandé d'ouvrir une fenêtre dans ou près de la cuisine afin de remplacer l'air évacué.
9. Afin de réduire les risques d'incendie et d'électrocution, les hottes Broan Elite de série EW54 ne doivent être installées qu'avec leur ventilateur intérieur intégré.
10. Afin de réduire les risques de feu ou d'électrocution, si la hotte est utilisée en mode recirculation, utiliser uniquement l'ensemble de recirculation modèle HRKMBSL.
11. Veuillez consulter l'autocollant apposé à l'intérieur de la hotte pour plus d'information ou d'autres exigences.

1. PRÉPARER L'INSTALLATION

⚠ AVERTISSEMENT

Il est recommandé de porter des lunettes et des gants de sécurité lors de l'installation, de l'entretien et de la réparation de cet appareil.

NOTE : Avant de commencer l'installation, vérifier le contenu de la boîte. Si des pièces sont manquantes ou endommagées, contacter le fabricant.

S'assurer que les articles suivants sont inclus :

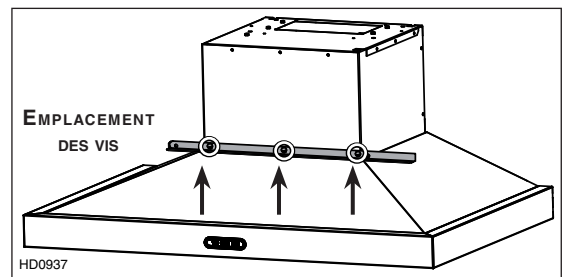
- Hotte
- Accessoires
 - Ensemble de conduit décoratif (conduits inférieur et supérieur)
 - Support de montage de la hotte
 - Support de montage du conduit décoratif supérieur
 - 2 filtres en micromesh
 - Adaptateur/volet de 6 po rond (pour évacuation verticale), dans un sac à part
 - Adaptateur/volet de 3¼ po x 10 po (pour évacuation horizontale ou verticale)
 - Ventouse (collée sur une des ampoules à culot GU10)
 - Sac de pièces comprenant : 5 vis à tête fraisée n° 8 x 1½ po, 8 vis n° 8 x 3/4 po, 6 vis n° 8 x 3/8 po, 6 douilles à expansion, 3 rondelles, 2 vis n° 8 x 1/2 po, 2 néoprènes. Jeter la quincaillerie excédentaire s'il y a lieu.

Pièces vendues séparément :

- Conduits, coudes, capuchons de mur ou de toit.
- Rallonge de conduit décoratif pour plafonds de 10 pi. modèle n° FXE54BLS.
- Ensemble de recirculation modèle HRKMBSL, obligatoire pour une installation en recirculation.

NOTE : La hauteur du plafond ne doit pas excéder 9 pi pour une installation sans conduit.

Avant de commencer l'installation de la hotte, retirer le support d'expédition (en gris), ainsi que les vis qui le retiennent à la hotte et s'en défaire. Voir l'illustration de droite.



2. CHOISIR LE TYPE D'INSTALLATION

NOTE : Lors de l'installation, protéger la surface de cuisson ou le comptoir de cuisine.

2.1 INSTALLATION EN RECIRCULATION

Un ensemble de recirculation, modèle HRKMBSL, est requis pour ce type d'installation.

2.2 INSTALLATION AVEC CONDUITS

Déterminer à quel endroit et de quelle façon les conduits seront installés.

Installer des conduits de dimensions adéquates, des coudes et un capuchon de toit ou de mur selon le type d'installation choisi.

Pour une évacuation verticale, utiliser des conduits ronds de 6 po ou des conduits de 3¼ po x 10 po et pour une évacuation horizontale, utiliser des conduits de 3¼ po x 10 po. Se servir de ruban adhésif de métal pour assurer l'étanchéité des joints.

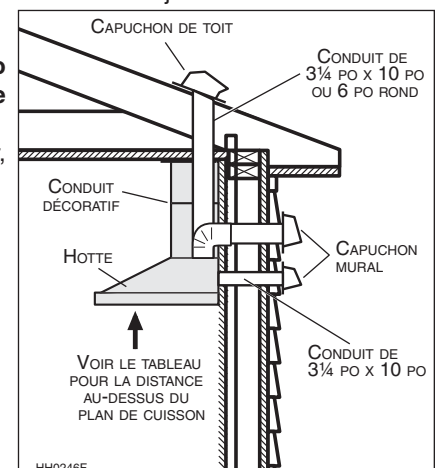
2.3 TOUTES LES INSTALLATIONS

La distance minimale entre le bas de la hotte et la surface de cuisson est de 24 po (30 po au-dessus d'une cuisinière à gaz). Un maximum de 30 po au-dessus de la surface de cuisson est recommandé pour une meilleure évacuation des odeurs de cuisson.

Les distances au-delà de 30 po sont à la discrétion de l'installateur et de l'utilisateur, si la hauteur du plafond et du conduit décoratif le permettent.

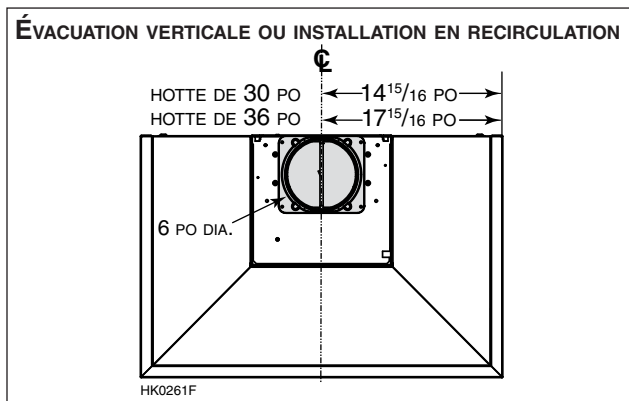
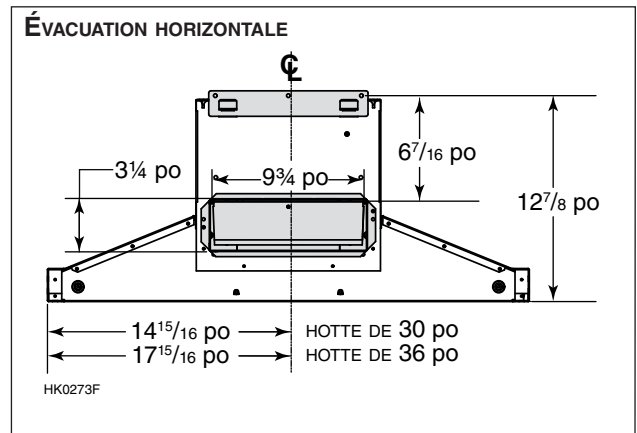
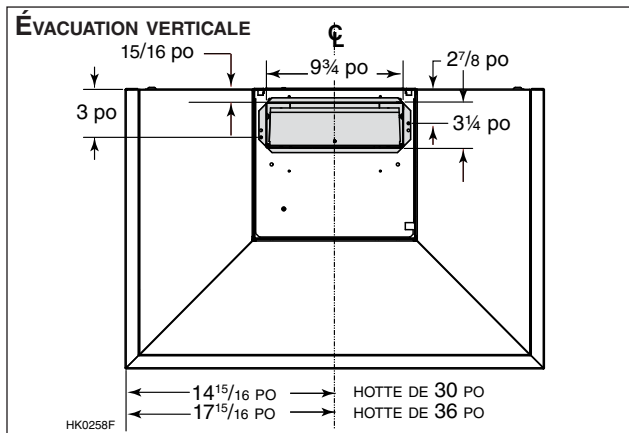
HAUTEUR DU PLAFOND	DISTANCE MINIMALE DE LA HOTTE AU-DESSUS DE LA SURFACE DE CUISSON D'UNE CUISINIÈRE ÉLECTRIQUE	DISTANCE MINIMALE DE LA HOTTE AU-DESSUS DE LA SURFACE DE CUISSON D'UNE CUISINIÈRE À GAZ
8 PIEDS	24 POUCES	30 POUCES
9 PIEDS	28½ POUCES	30 POUCES
10 PIEDS*	28½ POUCES	30 POUCES

* Une rallonge de conduit décoratif est requise pour les plafonds de 10 pi, n° de pièce FXE54BLS (vendue séparément).



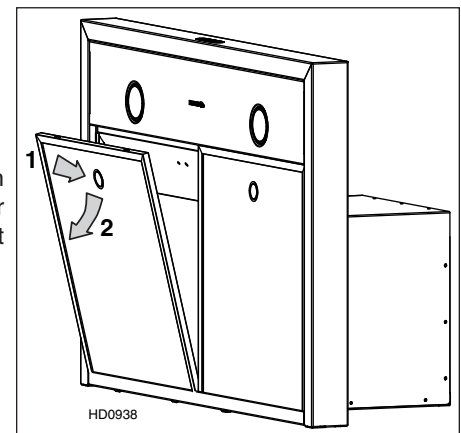
2. CHOISIR LE TYPE D'INSTALLATION (SUITE)

Se référer aux illustrations ci-dessous pour l'emplacement des conduits selon le type d'évacuation choisi (les pièces en gris seront installées plus tard).



3. RETIRER LES FILTRES À GRAISSES

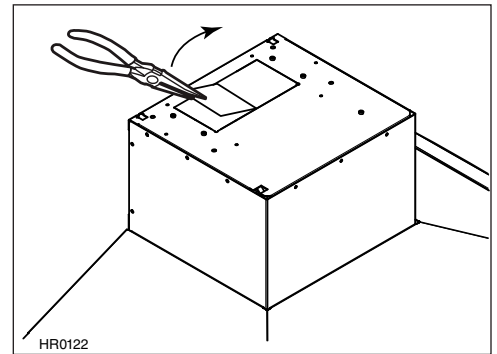
Poser la hotte à plat sur une table. Retirer les rubans adhésifs des filtres. Retirer les filtres en les poussant vers le bas (1) et en les dégageant de la hotte (2), puis les mettre de côté. Retirer les deux morceaux de styromousse ainsi que le ruban adhésif d'en dessous du ventilateur et s'en défaire.



4. CHOISIR L'OUVERTURE

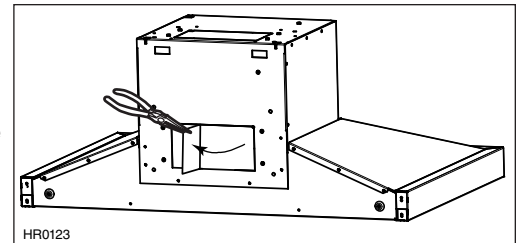
POUR UNE ÉVACUATION VERTICALE OU UNE INSTALLATION EN RECIRCULATION :

Retirer l'ouverture préamorcée afin de dégager l'ouverture pour l'évacuation verticale (voir l'illustration ci-contre).



POUR UNE ÉVACUATION HORIZONTALE :

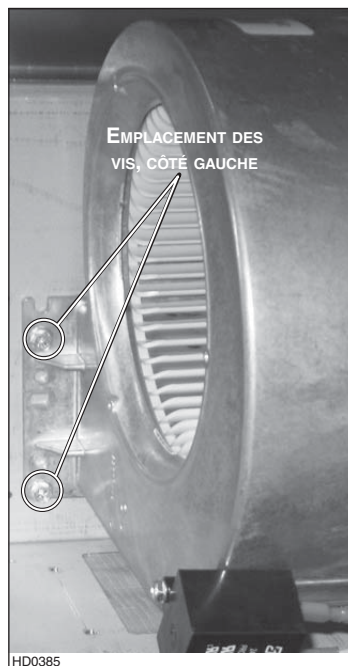
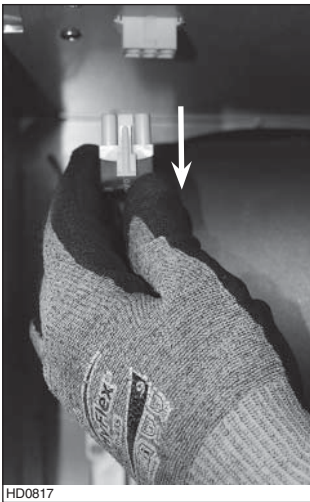
Retirer l'ouverture préamorcée afin de dégager l'ouverture pour l'évacuation horizontale (voir l'illustration ci-contre).



5. RETIRER LE VENTILATEUR (ÉVACUATION HORIZONTALE SEULEMENT)

Les hottes de la série EW54 sont expédiées de l'usine avec le ventilateur configuré pour une évacuation verticale. Pour une configuration d'évacuation horizontale, désassembler le ventilateur du dessus intérieur de la hotte et le mettre de côté. Il sera assemblé au dos intérieur de la hotte une fois celle-ci installée au mur.

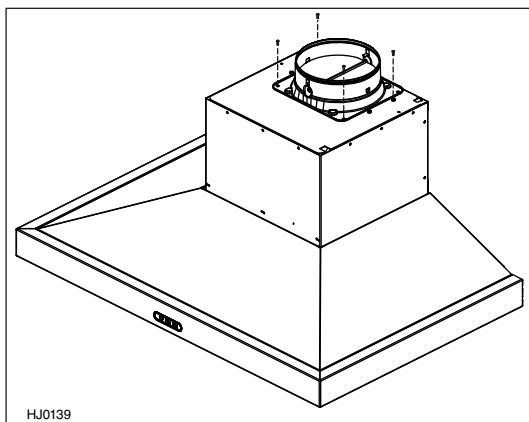
- 1) Débrancher le ventilateur.
- 2) À l'aide d'une douille 5/16 po ou d'un tournevis Robertson ou Phillips n° 2, enlever les 4 vis (2 de chaque côté) retenant le ventilateur dans la partie supérieure de la hotte. Mettre le ventilateur et ses vis de côté.



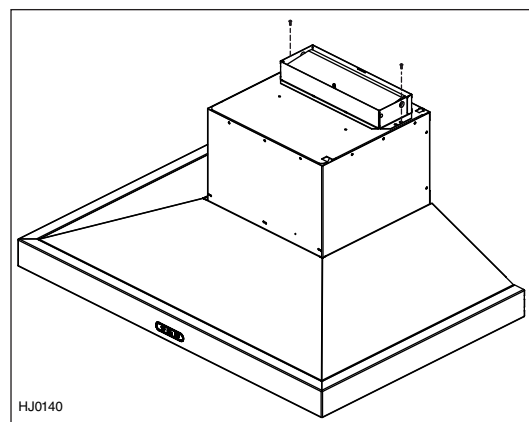
6. INSTALLER L'ADAPTATEUR/VOLET (6 PO ROND OU 3¼ PO x 10 PO)

Fixer l'adaptateur/volet de 6 po rond (emballé dans un sac) à l'aide de 4 vis n° 8 x 3/8 po (incluses) ou l'adaptateur 3¼ po x 10 po à la hotte à l'aide de 2 vis n° 8 x 3/8 po (incluses). Sceller l'adaptateur à la hotte à l'aide de ruban adhésif de métal.

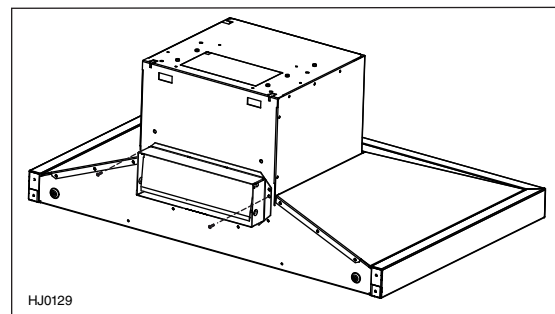
ÉVACUATION VERTICALE 6 PO ROND ET INSTALLATION EN RECIRCULATION SEULEMENT



ÉVACUATION VERTICALE 3¼ PO x 10 PO



ÉVACUATION HORIZONTALE 3¼ PO x 10 PO SEULEMENT



À l'aide de deux vis n° 8 x 3/8 po, assembler l'adaptateur/volet au dos de la hotte. Sceller l'adaptateur à la hotte à l'aide de ruban adhésif de métal.

NOTE: Le conduit mural doit être bien préparé pour recevoir adéquatement l'adaptateur. Avant d'effectuer l'installation, s'assurer que l'adaptateur s'insère facilement dans le conduit.

7. INSTALLATION ÉLECTRIQUE

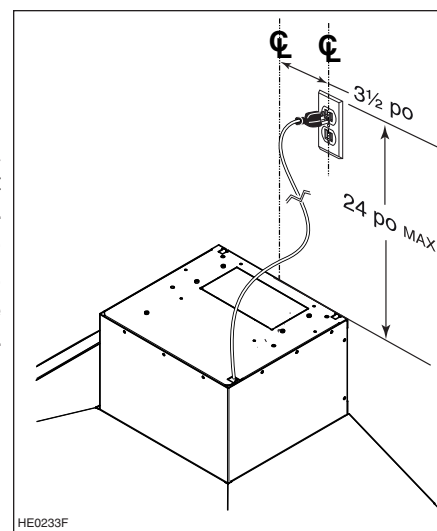
⚠ AVERTISSEMENT

Une mise à la terre inadéquate peut entraîner un risque d'électrocution. Consultez un électricien si les directives de mise à la terre ne sont pas complètement comprises ou si un doute persiste quant à savoir si l'appareil est correctement relié à la terre. Ne pas utiliser de rallonge électrique. Si le cordon d'alimentation est trop court, demandez à un électricien d'installer une prise de courant près de l'appareil, en respectant les normes et règlements en vigueur. Avant d'effectuer le branchement, coupez l'alimentation électrique depuis le panneau de distribution.

DIRECTIVES POUR LA MISE À LA TERRE

Cet appareil doit être relié à une mise à la terre. En cas de court-circuit électrique, la mise à la terre réduit le risque d'électrocution en fournissant un câble d'évacuation du courant. Cet appareil est muni d'un cordon équipé d'un câble de mise à la terre avec fiche de mise à la terre. La fiche doit être branchée dans une prise de courant correctement installée et mise à la terre.

Installer la prise dans l'espace qui sera couvert par le conduit décoratif. La placer à une distance maximale de 24 po de l'endroit où le fil sort de la hotte. Le centre de la prise doit être positionné à 3½ po du centre du futur emplacement de la hotte (voir l'illustration ci-contre). S'assurer qu'elle n'interfère pas avec l'emplacement de fixation d'un support de montage ou avec le conduit décoratif (à l'endroit où il touche le mur).



8. INSTALLER LE SUPPORT DE MONTAGE DE LA HOTTE

⚠ AVERTISSEMENT

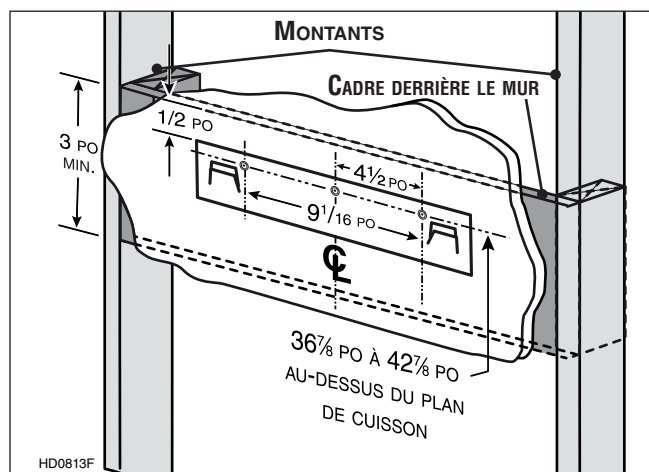
Lors de la découpe ou du perçage dans un mur, veillez à ne pas endommager le câblage électrique ou d'autres équipements non apparents.

Construire un cadre mural en bois encastré entre les montants et au même niveau que ceux-ci.

Le cadre mural doit avoir au moins 1/2 po d'épaisseur et 3 po de hauteur. Pour une installation solide, s'assurer de fixer le cadre mural aux montants. S'assurer que la hauteur du cadre permettra au support de montage d'y être bien fixé en respectant les dimensions indiquées (voir l'illustration ci-contre).

Après la finition du mur, centrer le support au-dessus de l'emplacement de l'installation et mettre de niveau. Fixer le support de montage au cadre mural à l'aide de 3 vis n° 8 x 1 1/2 po.

À l'aide d'un niveau, tracer une ligne verticale jusqu'au plafond à partir du centre du support de montage de la hotte.



36 7/8 PO = DESSOUS DE LA HOTTE 24 PO AU-DESSUS DE LA SURFACE DE CUISSON

42 7/8 PO = DESSOUS DE LA HOTTE 30 PO AU-DESSUS DE LA SURFACE DE CUISSON

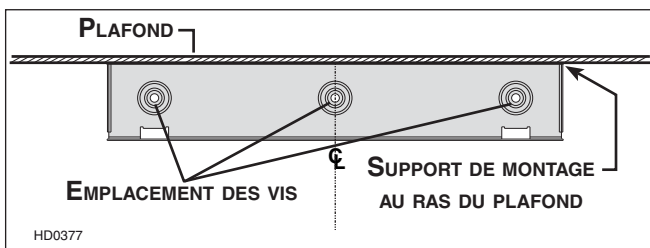
9. INSTALLER LE SUPPORT DE MONTAGE DU CONDUIT DÉCORATIF SUPÉRIEUR (INSTALLATION AVEC CONDUIT SEULEMENT)

Centrer le support de montage du conduit décoratif supérieur selon la ligne précédemment tracée à l'étape 8 et le positionner au ras du plafond. Utiliser le support de montage comme gabarit pour marquer la position des vis.

Percer 3 trous à l'aide d'une mèche de 3/16 po.

Insérer les douilles à expansion (fournies avec la hotte) dans les trous percés (une pour chaque trou).

Fixer au mur le support de montage du conduit supérieur avec 3 vis n° 8 x 3/4 po. S'assurer que le support de montage est bien appuyé contre le mur.



10. INSTALLER LA HOTTE

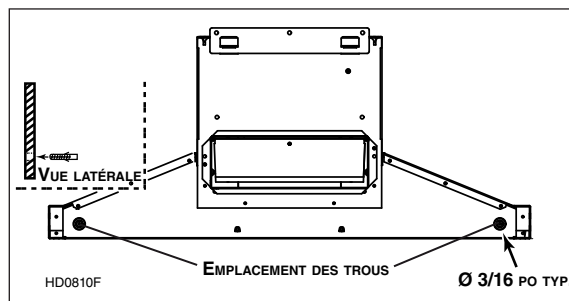
⚠ AVERTISSEMENT

SOYEZ PRUDENT lors de l'installation du conduit décoratif et de la hotte, il pourrait y avoir des arêtes vives.

ATTENTION

NE PAS RETIRER pour l'instant la pellicule de plastique protectrice recouvrant les conduits décoratifs.

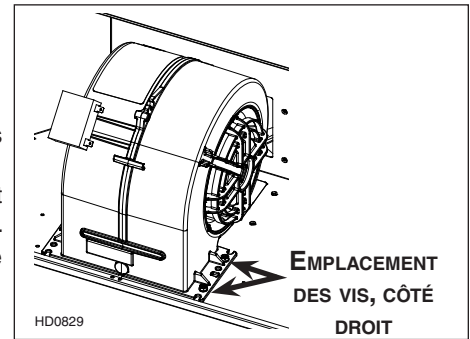
1. Aligner la hotte et la centrer au-dessus de son support de montage. Abaisser doucement la hotte jusqu'à ce qu'elle s'accroche à son support.
2. Mettre la hotte de niveau.
3. Une fois la hotte en place, marquer l'emplacement des trous (2 trous embossés au dos de la hotte, voir l'illustration ci-contre).
4. Retirer la hotte de son support.
5. Percer les trous marqués au mur à l'aide d'une mèche de 3/16 po. Insérer les douilles à expansion fournies dans les trous percés (une pour chaque trou).
6. Accrocher la hotte à son support.
7. Fixer la hotte au mur à l'aide de 2 vis n° 8 x 3/4 po et de 2 rondelles.



NOTE: L'ILLUSTRATION CI-DESSUS REPRÉSENTE UNE CONFIGURATION D'ÉVACUATION HORIZONTALE, MAIS CONVIENT ÉGALEMENT À TOUTES LES CONFIGURATIONS.

11. RÉINSTALLER LE VENTILATEUR (ÉVACUATION HORIZONTALE SEULEMENT)

1. Placer le ventilateur au dos interne de la hotte. Voir l'illustration de droite.
2. À l'aide d'une douille 5/16 po ou d'un tournevis Robertson ou Phillips n° 2 et des 4 vis retirées précédemment, fixer le ventilateur à la hotte.
NOTE: Afin de faciliter l'installation, préparer les trous des vis en vissant préalablement les 4 vis, sans le ventilateur, puis les enlever et assembler le ventilateur à la hotte.
3. Rebrancher le ventilateur et brancher le cordon d'alimentation de la hotte dans la prise murale.

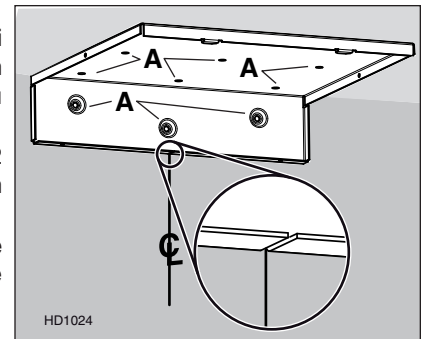


12. INSTALLER LE PLÉNUM (INSTALLATION EN RECIRCULATION SEULEMENT)

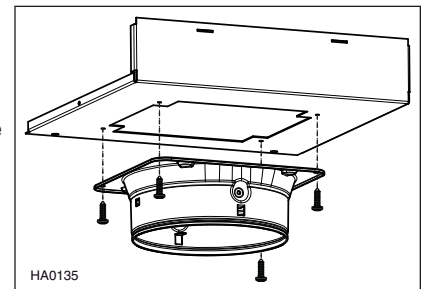
Enlever le ruban adhésif retenant ensemble les plaques supérieure et inférieure du plénum ainsi que l'adaptateur rond de 6 po. Aligner soigneusement l'encoche centrale de la plaque de plénum supérieure avec la ligne tracée à l'étape 8 (voir le médaillon ci-contre) et appuyer la plaque au plafond. Se servir de la plaque comme gabarit pour marquer la position des trous de vis (A).

NOTE: Pour faciliter son installation, il existe plusieurs configurations de vis: 6 au plafond et 2 au mur, de chaque côté. Seulement 4 vis sont requises pour retenir la plaque de plénum supérieure.

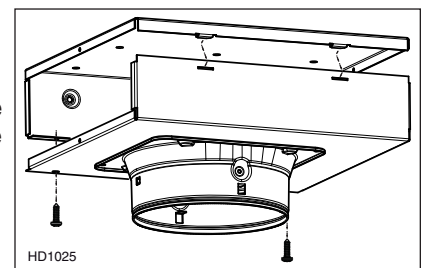
Insérer les douilles à expansion (incluses) dans les trous marqués, puis fixer la plaque supérieure à l'aide de 4 vis n° 8 x 3/4 po et rondelles (incluses). S'assurer que la plaque est bien appuyée contre le plafond et le mur.



À l'aide de 4 vis n° 8 x 3/8 po incluses, assembler l'adaptateur rond de 6 po à la plaque inférieure du plénum.



Monter l'assemblage de la plaque de plénum inférieure et l'adaptateur rond de 6 po avec la plaque supérieure en insérant les 2 languettes de celle-ci dans les fentes correspondantes de la plaque inférieure. Fixer l'ensemble de plénum à l'aide de 2 vis n° 8-18 x 3/8 po (incluses).

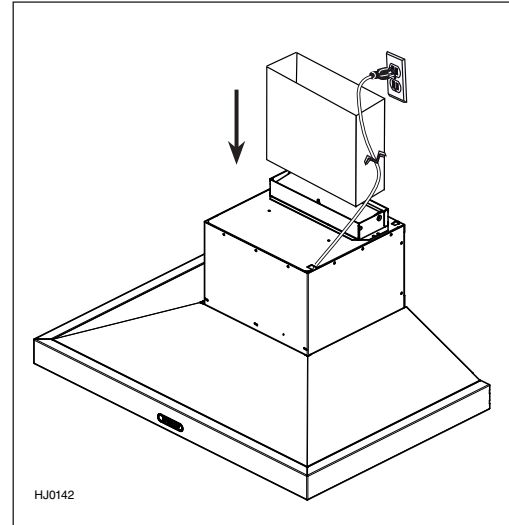
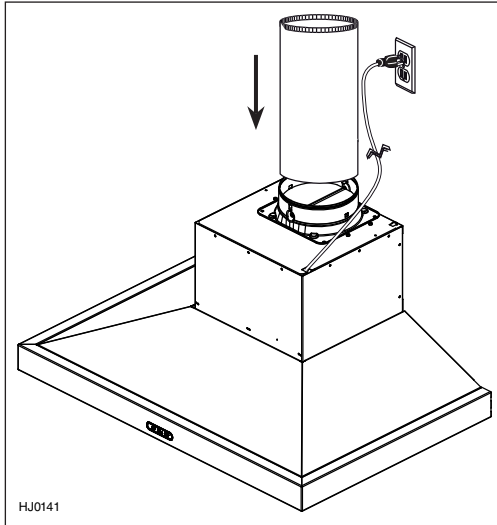


13. INSTALLER LE CONDUIT (ÉVACUATION VERTICALE ET INSTALLATION EN RECIRCULATION SEULEMENT)

ÉVACUATION VERTICALE :

Brancher le cordon d'alimentation de la hotte dans la prise murale.

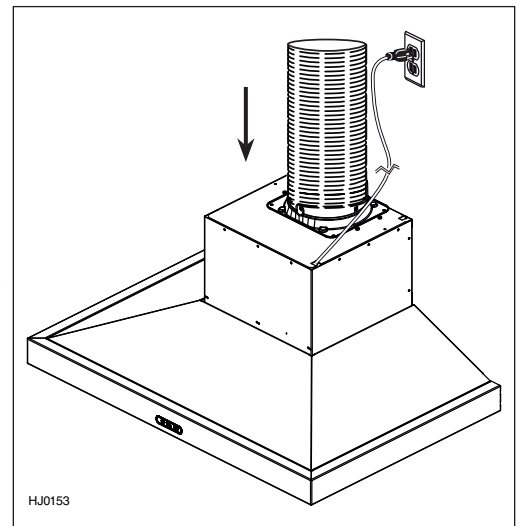
Glisser un conduit en métal rond de 6 po ou de 3¼ po x 10 po par-dessus l'adaptateur/volet. Sceller hermétiquement le joint à l'aide de ruban adhésif de métal.



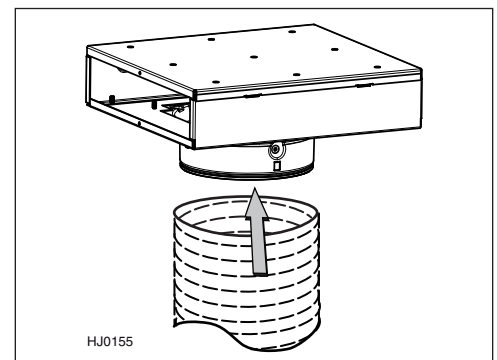
INSTALLATION EN RECIRCULATION :

Brancher le cordon d'alimentation de la hotte dans la prise murale.

Glisser le conduit flexible rond de 6 po en métal (inclus) par-dessus l'adaptateur/volet de la hotte. Sceller le joint avec du ruban adhésif de métal.



Étirer le conduit flexible de métal jusqu'au plénum, par-dessus l'adaptateur. Sceller le joint avec du ruban adhésif de métal.



14. PRÉPARER LE CONDUIT DÉCORATIF

INSTALLATION AVEC CONDUIT :

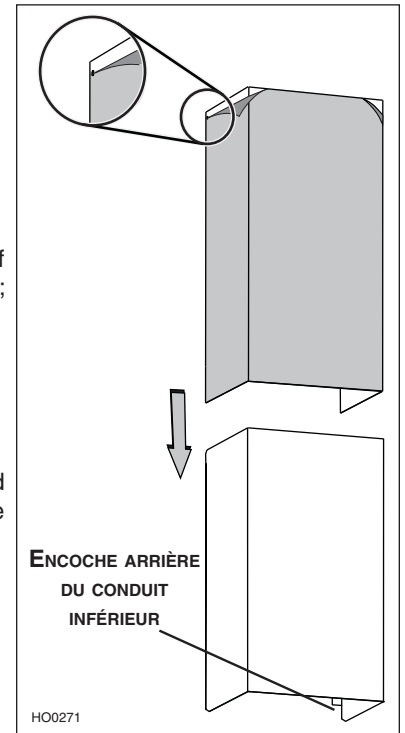
Retirer la pellicule de plastique protectrice recouvrant le conduit décoratif inférieur seulement.

Enlever juste assez de plastique protecteur pour dégager les coins supérieurs du conduit décoratif supérieur (noter que le haut de la cheminée comporte un trou du côté gauche et un du côté droit; voir l'image de droite).

Positionner les encoches arrière du conduit inférieur vers le bas.

Glisser délicatement le conduit décoratif supérieur dans le conduit décoratif inférieur.

Les conduits décoratifs inférieur et supérieur sont inclus avec la hotte. Toutefois, pour un plafond de 10 pieds, se défaire du conduit décoratif supérieur et utiliser le conduit supérieur optionnel, pièce n° FXE54BLS.



INSTALLATION EN RECIRCULATION :

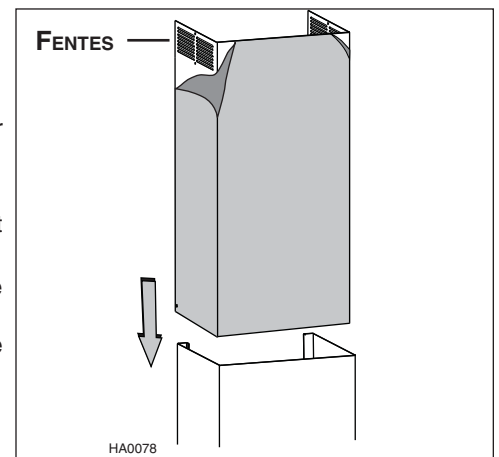
Retirer la pellicule de plastique protectrice recouvrant le conduit décoratif inférieur seulement.

NOTE : Ne pas utiliser le conduit décoratif supérieur inclus avec la hotte.

Enlever juste assez de plastique protecteur pour dégager les coins supérieurs du conduit décoratif supérieur (celui inclus avec l'ensemble de recirculation).

Positionner les encoches arrière du conduit inférieur vers le bas (celles avec un angle de 45°).

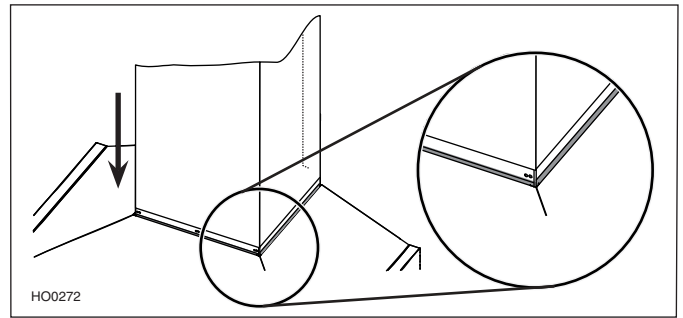
Glisser délicatement le conduit décoratif supérieur dans le conduit décoratif inférieur, le côté des fentes vers le haut.



15. INSTALLER LE CONDUIT DÉCORATIF

TOUTES LES INSTALLATIONS :

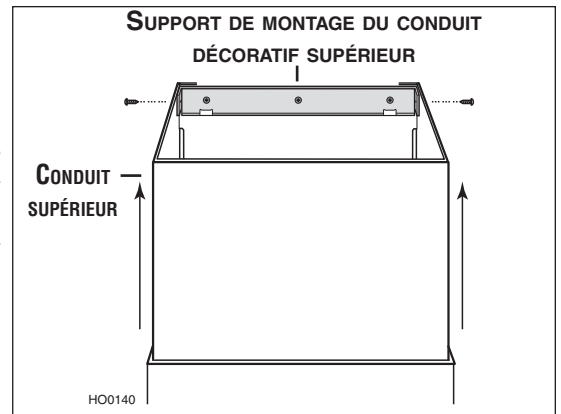
Glisser délicatement en place le conduit décoratif (le côté des encoches en premier) dans la rainure (partie ombragée dans le médaillon à droite) derrière la paroi extérieure du dessus de la hotte (voir l'illustration ci-contre).



INSTALLATION AVEC CONDUIT :

Soulever le conduit décoratif supérieur jusqu'au niveau de son support de montage. Ce dernier doit être à l'intérieur du conduit. Fixer le conduit supérieur au support à l'aide des 2 vis n° 8 x 3/8 po (incluses). Voir l'illustration ci-contre.

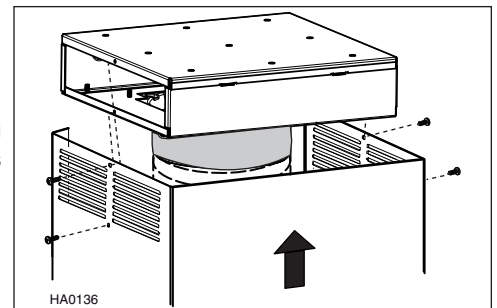
NOTE: Conduit de ventilation non montré dans l'illustration afin de faciliter la compréhension.



INSTALLATION EN RECIRCULATION :

Glisser le conduit décoratif supérieur jusqu'au plafond. Le plénum doit être à l'intérieur du conduit décoratif. Fixer le conduit décoratif supérieur aux côtés du plénum à l'aide de 4 vis noires n° 8 x 1/2 po (2 par côtés, incluses).

NOTE: Plafond non montré dans l'illustration afin de faciliter la compréhension.

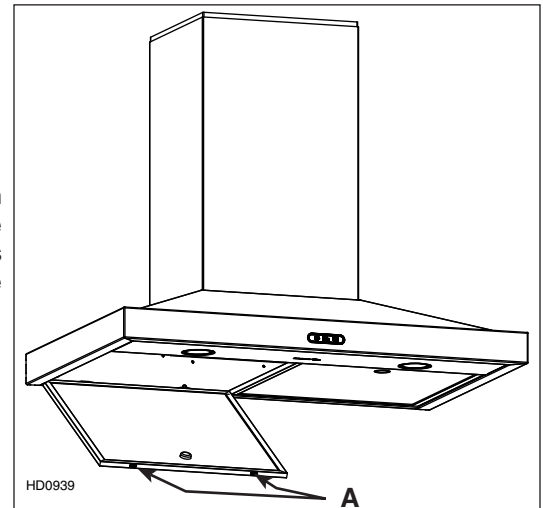


TOUTES LES INSTALLATIONS :

Retirer la pellicule de plastique protectrice recouvrant le conduit décoratif supérieur.

16. REMETTRE EN PLACE LES FILTRES

Appuyer les ressorts des filtres dans la rainure arrière à l'intérieur de la hotte. En insérant un doigt dans la prise concave, incliner chaque filtre vers le haut jusqu'à ce que les vis dans la rainure avant de la hotte soient bien engagées dans les deux trous ovales (A) sur le rebord avant des filtres. S'assurer que les filtres sont bien en place après l'installation.

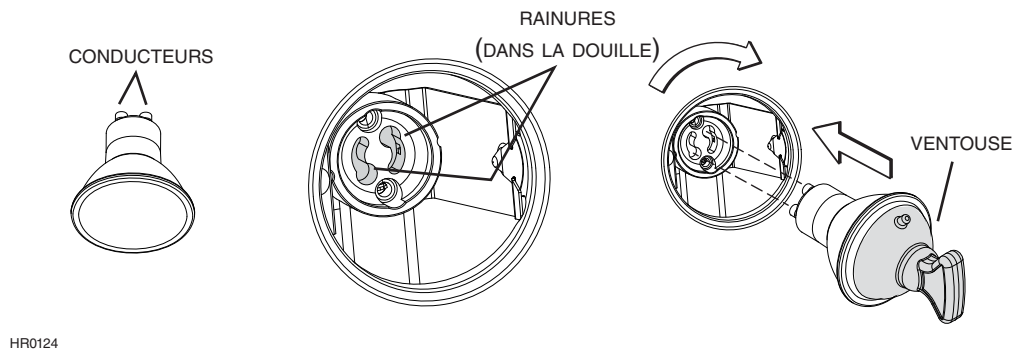


17. ÉCLAIRAGE

L'éclairage des hottes Broan Élite de série EW54 est produit par deux ampoules halogènes avec écran (incluses) (120 V, 50 W max., MR16 ou PAR16 à culot GU10). Consulter la liste des pièces de rechange pour les ampoules de remplacement.

⚠ AVERTISSEMENT

Ne pas toucher aux ampoules durant ou peu après leur utilisation. Peuvent causer des brûlures. Afin de réduire le risque de blessures corporelles, n'installer que des ampoules halogènes avec écran. Aussi, ne jamais installer une ampoule à faisceau froid, dichroïque, non conçue pour des luminaires encastrés ou conçue uniquement pour des luminaires fermés.



1. Installer l'ampoule en glissant ses conducteurs dans les rainures, à l'intérieur de la douille.
2. Pousser doucement vers le haut et tourner dans le sens des aiguilles d'une montre jusqu'à ce que l'ampoule soit bien en place.

NOTE : La ventouse (incluse avec la hotte) peut être utilisée pour installer et retirer les ampoules. Appuyer la ventouse sur l'ampoule puis tourner dans le sens contraire des aiguilles d'une montre pour retirer l'ampoule ou dans le sens des aiguilles d'une montre pour l'installer.

ATTENTION

La plupart des ampoules à culot GU10 à DEL offertes sur le marché ne sont pas conçues pour être utilisées dans un environnement de cuisson et, par conséquent, pourraient ne pas offrir le rendement annoncé. Leur utilisation avec ce produit n'est pas recommandée.

18. ENTRETIEN

⚠ AVERTISSEMENT

Avant de nettoyer ou de réparer l'appareil, coupez le courant au panneau de distribution et verrouillez-en l'accès afin d'éviter sa remise en marche accidentelle. Si le panneau de distribution ne peut être verrouillé, y apposer un avertissement bien en évidence, par exemple une étiquette de couleur vive.

Filtres à graisses

Les filtres à graisses doivent être nettoyés fréquemment. Utiliser une solution d'eau chaude et de détergent. Les filtres sont lavables au lave-vaisselle.

Nettoyer les filtres fabriqués entièrement de métal au lave-vaisselle à l'aide d'un détergent sans phosphate. L'utilisation d'un détergent avec phosphates ainsi que les conditions locales de l'eau peuvent entraîner une décoloration des filtres, sans toutefois affecter leur performance. Cette décoloration n'est pas couverte par la garantie.

Nettoyage de la hotte

À faire :

- Laver régulièrement les surfaces à l'aide d'un chiffon ou d'un linge propre imbibé d'eau tiède et de savon doux ou de détergent à vaisselle sans phosphate.
- Toujours nettoyer dans le sens du polissage.
- Toujours bien rincer avec de l'eau claire (2 à 3 fois) et essuyer complètement.
- Un nettoyant domestique conçu spécialement pour l'acier inoxydable peut aussi être utilisé.

À éviter :

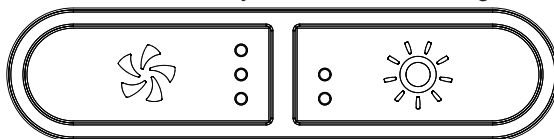
- Ne pas utiliser de laine d'acier ou d'acier inoxydable ou tout autre grattoir pour enlever la saleté tenace.
- Ne pas utiliser une poudre nettoyante abrasive ou rugueuse.
- Ne pas laisser la saleté s'accumuler.
- Ne pas laisser la poussière de plâtre ou tout autre résidu de construction atteindre la hotte. Couvrir la hotte pour la durée des travaux afin de s'assurer qu'aucune poussière n'atteigne la hotte.

À éviter lors du choix d'un détergent :

- Tous produits nettoyants contenant des **agents de blanchiment**; ils attaqueront l'acier inoxydable.
- Tous produits contenant du **chlorure**, du **fluorure**, de l'**iode** ou du **bromure**; ils détérioreront rapidement les surfaces.
- Tous produits combustibles utilisés pour le nettoyage : **acétone**, **alcool**, **éther**, **benzène**, etc.; ils sont grandement explosifs et ne devraient jamais être utilisés près d'une cuisinière.

19. FONCTIONNEMENT

Toujours mettre en marche la hotte avant de commencer la cuisson afin d'établir une circulation d'air dans la cuisine. Laisser fonctionner la hotte quelques minutes après la fin de la cuisson afin de nettoyer l'air. Cela aidera à garder la cuisine plus propre et plus fraîche.



BOUTON DU VENTILATEUR

Lorsque le ventilateur est en ARRÊT, appuyer sur ce bouton pour ACTIVER le ventilateur à la dernière vitesse mémorisée. Si aucune vitesse n'est mémorisée, le ventilateur s'activera en BASSE vitesse.

NOTE : Si la basse vitesse est activée lorsque le ventilateur est en ARRÊT, le ventilateur démarre en vitesse MOYENNE pour un très court laps de temps, puis se règle en BASSE vitesse.

Pour changer la vitesse du ventilateur, appuyer encore sur ce bouton jusqu'à la vitesse désirée (de BASSE à MOYENNE à HAUTE). À partir de la HAUTE vitesse, appuyer une autre fois sur le bouton pour ARRÊTER le ventilateur. Chaque fois qu'une vitesse de ventilateur est activée, un bip se fait entendre et un ou des témoins DEL s'allument pour indiquer la vitesse choisie (DEL du bas pour la BASSE vitesse, DEL du bas et centrale pour la vitesse MOYENNE et toutes les DEL pour la HAUTE vitesse).

Lorsque le ventilateur fonctionne (peu importe la vitesse), appuyer et maintenir la pression sur ce bouton jusqu'à ce que le bip s'arrête; ceci arrêtera le ventilateur et mémorisera sa vitesse.

BOUTON DE L'ÉCLAIRAGE

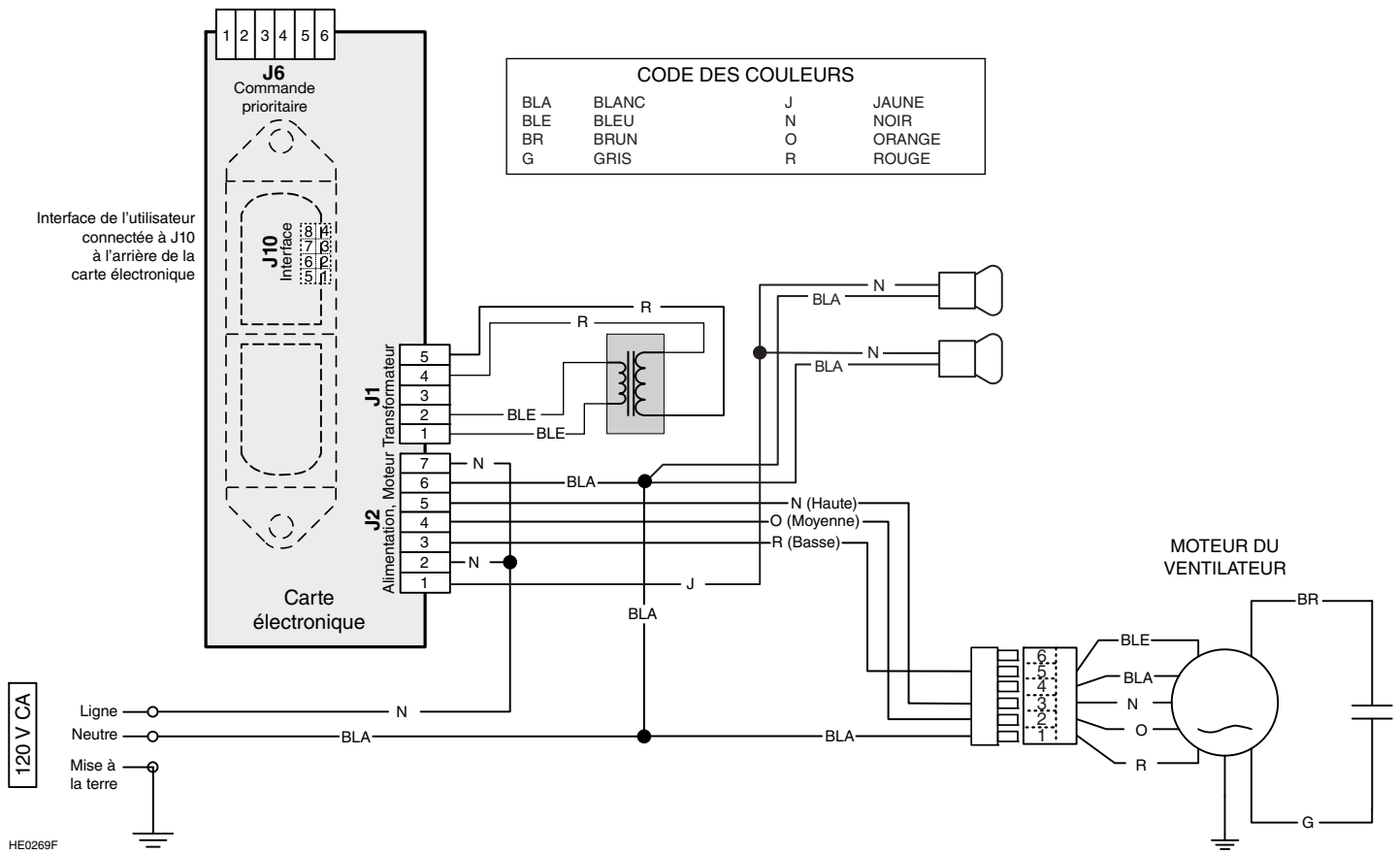
Lorsque l'éclairage est ÉTEINT, appuyer une fois sur ce bouton pour ALLUMER les lumières à leur dernier niveau d'intensité mémorisé. Si aucun niveau d'intensité d'éclairage n'est mémorisé, les lumières allumeront en BASSE intensité. Appuyer une autre fois pour régler l'éclairage à HAUTE intensité. À partir de la HAUTE intensité, appuyer une autre fois sur le bouton pour ÉTEINDRE les lumières. Chaque fois que les lumières sont allumées, un bip se fait entendre et un ou deux témoins DEL s'allument pour indiquer l'intensité d'éclairage choisie (DEL du bas pour la BASSE intensité et les deux DEL pour la HAUTE intensité).

Lorsque les lumières sont allumées (peu importe le niveau d'éclairage), appuyer et maintenir la pression sur ce bouton jusqu'à ce que le bip s'arrête; ceci éteindra les lumières et mémorisera l'intensité choisie.

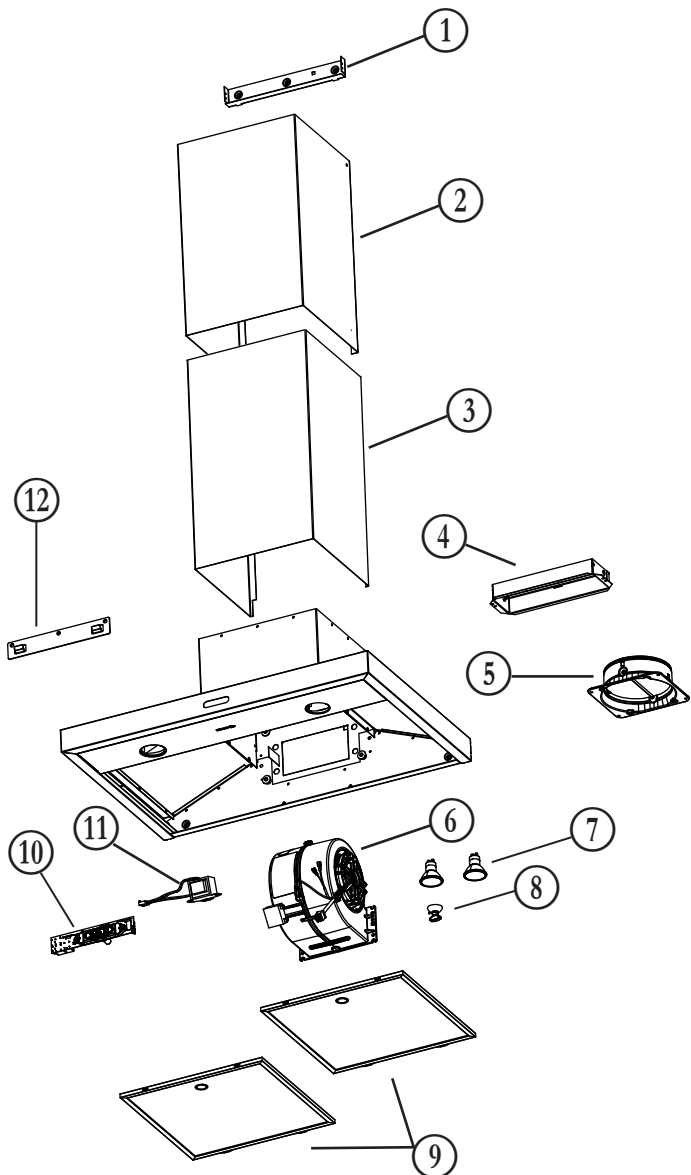
RAPPEL D'ENTRETIEN DES FILTRES

Lorsqu'il est temps de nettoyer la hotte et les filtres, les 3 témoins DEL du bouton du ventilateur clignoteront lentement durant 30 secondes après avoir arrêté le ventilateur. Ce clignotement se produira à toutes les fois où on arrêtera le ventilateur, jusqu'à ce que le rappel d'entretien des filtres soit remis à zéro. Une fois le nettoyage terminé, remettre les témoins à zéro en appuyant 3 secondes sur le bouton du ventilateur pendant les 30 secondes de clignotement des DEL.

20. SCHÉMA ÉLECTRIQUE



21. PIÈCES DE RECHANGE



N°	PIÈCE N°	DESCRIPTION	QUANTITÉ	
			30 PO	36 PO
1	SV63673	SUPPORT DE MONTAGE DU CONDUIT DÉCORATIF SUPÉRIEUR	1	1
2	SV63665	CONDUIT DÉCORATIF SUPÉRIEUR	1	1
3	SV63664	CONDUIT DÉCORATIF INFÉRIEUR	1	1
4	SV13296	ADAPTATEUR/VOLET DE 3¼ PO X 10 PO	1	1
5	SV08487	ADAPTATEUR/VOLET DE 6 PO ROND	1	1
6	SV08582	VENTILATEUR INTERNE (INCLUANT CONDENSATEUR)	1	1
7	SV05921	AMPOULE HALOGÈNE AVEC ÉCRAN 120 V, 50 W, GU10	2	2
8	SV09983	VENTOUSE	1	1
9	99010355	FILTRE « MICROMESH » (1)	2	2
10	S97020436	COMMANDE CAPACITIVE À TOUCHES DEL, NOIRE (AVEC VIS)	1	1
11	S97020445	TRANSFORMATEUR	1	1
12	SV09014	SUPPORT DE MONTAGE DE LA HOTTE	1	1
*	SV23136	GUIDE D'INSTALLATION	1	1
*	SV23135	FAISCEAU DE FILS	1	1
*	SV09027	SAC DE PIÈCES : 5 VIS À TÊTE FRAISÉE N° 8 x 1½ po, 8 VIS N° 8 x 3/4 po, 6 VIS N° 8 x 3/8 po, 6 DOUILLES À EXPANSION, 3 RONDELLES, 2 VIS N° 8 x 1/2 po 2 MORCEAUX DE NÉOPRÈNE	1	1

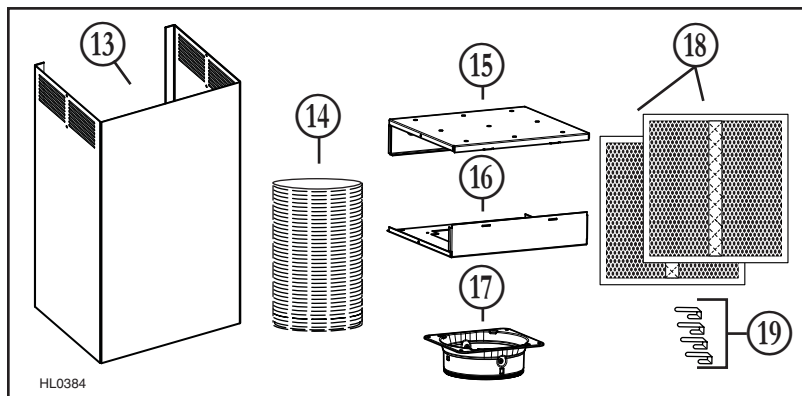
* PIÈCES NON ILLUSTRÉES

PIÈCES DE REMPLACEMENT ET SERVICE

Pour assurer le bon fonctionnement de votre appareil, vous devez toujours utiliser des pièces d'origine provenant de Broan-NuTone LLC. Les pièces d'origine de Broan-NuTone LLC sont spécialement conçues pour satisfaire toutes les normes de certification de sécurité applicables. Leur remplacement par des pièces ne provenant pas de Broan-NuTone LLC pourrait ne pas assurer la sécurité de l'appareil, entraîner une réduction sévère des performances ainsi qu'un risque de défaillance prématurée. Broan-NuTone LLC recommande également de toujours vous référer à une entreprise de services compétente et reconnue par Broan-NuTone LLC pour vos pièces de remplacement et appels de service.

HL0318

ENSEMBLE DE RECIRCULATION MODÈLE HRKMBSL



HL0384

N°	PIÈCE N°	DESCRIPTION	Qté
13	SV63629	CONDUIT DÉCORATIF SUPÉRIEUR DE L'ENSEMBLE DE RECIRCULATION, INOX NOIR	1
14	SV22756	CONDUIT DE MÉTAL FLEXIBLE DE 6 PO ROND	1
15	SV63626	PLAQUE DE PLÉNUM SUPÉRIEURE	1
16	SV63627	PLAQUE DE PLÉNUM INFÉRIEURE	1
17	SV08487WD	ADAPTATEUR ROND DE 6 PO	1
18	SV22758	FILTRES AU CHARBON (PAIRE) (INCLUANT N° 18)	1
19	S99527587	CLIPS DE FILTRE À CHARBON (JEU DE 4)	1
*	SV05803	SAC DE PIÈCES : 10 VIS N° 8-18 x 3/8 po, 4 VIS NOIRES N° 8 x 1/2 po 9 VIS N° 8-18 x 3/4 po, 4 RONDELLES, 9 DOUILLES À EXPANSION, 6 VIS N° 6 x 1/2 po.	1

* NON ILLUSTRÉ

22. GARANTIE

GARANTIE LIMITÉE DE UN AN DES PRODUITS BROAN ELITE

Broan-NuTone LLC (Broan-NuTone) garantit à l'acheteur consommateur initial des produits Broan Elite qu'ils sont exempts de tout défaut dans les matières premières ou la main-d'oeuvre, pour une période de un an à compter de la date d'achat par le consommateur initial. IL N'Y A PAS D'AUTRES GARANTIES, EXPRIMÉES OU IMPLICITES, INCLUANT, MAIS NON LIMITÉES AUX GARANTIES IMPLICITES POUR FIN DE COMMERCIALISATION ET DE CONVENANCE DANS UN BUT PARTICULIER.

Durant cette période de un an, Broan-NuTone, à sa discrétion, réparera ou remplacera gratuitement tout produit ou pièce qui s'avère défectueux et ayant été utilisé normalement et d'une manière non abusive.

CETTE GARANTIE NE COUVRE PAS LES STARTERS DE TUBES FLUORESCENTS, LES FLUORESCENTS, LES AMPOULES HALOGÈNES ET À INCANDESCENCE, LES FUSIBLES, LES FILTRES, LES CONDUITS, LES CAPUCHONS DE TOIT, LES CAPUCHONS DE MUR ET LES AUTRES ACCESSOIRES DE CONDUITS. Cette garantie ne couvre pas (a) l'entretien et le service normal ou (b) tout produit ou pièce endommagé à la suite de mauvais usage, négligence, accident, entretien inapproprié ou réparation (autre que par Broan-NuTone), mauvaise installation ou installation non conforme au mode d'installation recommandé.

La durée de toute garantie implicite est limitée à une période de un an telle qu'elle est spécifiée pour la garantie exprimée. Certains États ne permettent pas de limite de temps sur les garanties implicites. Si tel est le cas, veuillez ne pas tenir compte de la dernière limite décrite ci-dessus.

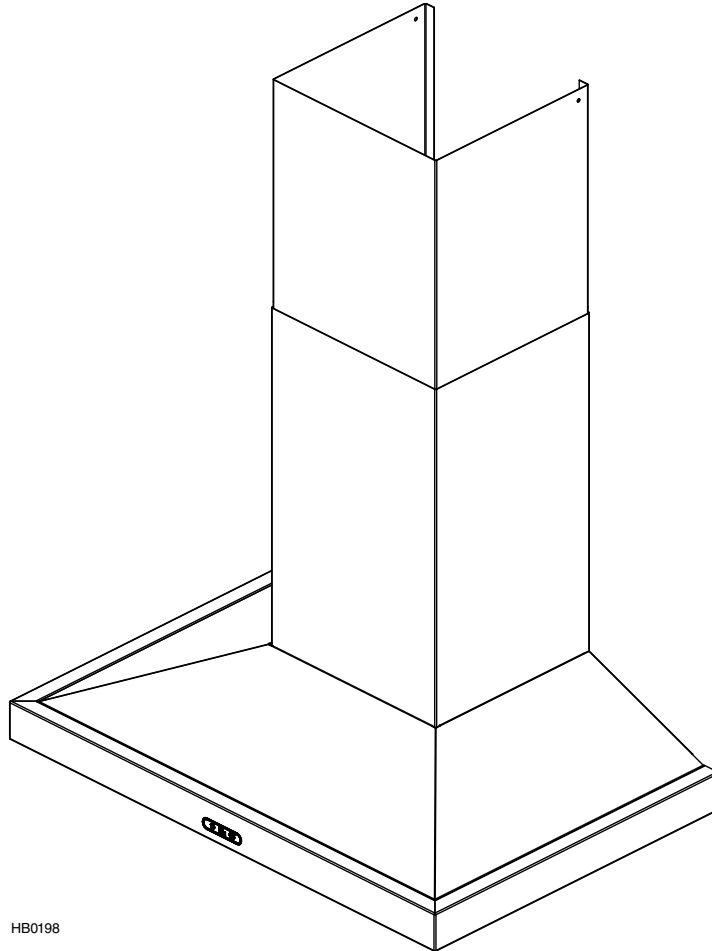
L'ENGAGEMENT DE BROAN-NUTONE DE RÉPARER OU DE REMPLACER, AU CHOIX DE BROAN-NUTONE, SERA LA SEULE OBLIGATION EXCLUSIVE SOUS CETTE GARANTIE. BROAN-NUTONE NE SERA PAS TENUE RESPONSABLE DES DOMMAGES DIRECTS, INDIRECTS OU SPÉCIAUX SURVENANT À CAUSE DE OU EN RAPPORT À L'UTILISATION OU À LA PERFORMANCE DE SES PRODUITS. Certains États ne permettent pas l'exclusion ou la limite relative aux dommages directs, indirects ou spéciaux. Si tel est le cas, veuillez ne pas tenir compte de l'exclusion ou de la limite ci-dessus.

Cette garantie vous donne des droits légaux spécifiques et il se peut que vous ayez d'autres droits qui varient d'un État à l'autre. Cette garantie annule toutes les autres garanties précédentes.

Pour le service sous garantie, vous devez (a) aviser Broan-NuTone à l'adresse ou au numéro de téléphone mentionnés plus bas, (b) donner le numéro du modèle et l'identification de la pièce et (c) décrire la nature de tout défaut dans le produit ou la pièce. Au moment de la demande de service sous garantie, vous devez présenter une preuve de la date d'achat initial dudit produit.

Broan-NuTone LLC; 926 W. State Street, Hartford, Wisconsin 53027 www.broan.com 1 800 558-1711

BROAN® *Elite*



HB0198

SERIE EW54

⚠ DESTINADA ÚNICAMENTE PARA COCINAS DOMÉSTICAS ⚠

LEA Y GUARDE ESTAS INSTRUCCIONES

INSTALADOR: DEJE ESTE MANUAL AL PROPIETARIO.
PROPIETARIO: INFORMACIÓN SOBRE USO Y CUIDADO EN LA
PÁGINA 13.

Broan-NuTone LLC; Hartford, Wisconsin www.broan.com 1-800-558-1711

REGISTRE SU PRODUCTO EN LÍNEA EN: WWW.BROAN.COM

⚠️ ADVERTENCIA

PARA REDUCIR EL RIESGO DE INCENDIO, CHOQUE ELÉCTRICO O HERIDAS CORPORALES, SIGA LAS INDICACIONES SIGUIENTES:

1. Utilice este aparato sólo en la forma prevista por el fabricante. Si tiene preguntas, póngase en contacto con el fabricante en la dirección o número de teléfono indicados en la garantía.
2. Antes del mantenimiento o de la limpieza del aparato, apague la alimentación en el tablero de servicio y bloquee los medios de desconexión para evitar que se conecte la corriente accidentalmente. Cuando no se puedan bloquear los medios de desconexión de servicio, coloque firmemente un dispositivo de aviso visible, como una etiqueta, en el tablero de servicio.
3. Los trabajos de instalación y el cableado eléctrico han de ser realizados por personal cualificado, de conformidad con todos los códigos y normas aplicables, incluyendo los códigos y normas de construcción contra incendios.
4. Se necesita aire suficiente para una combustión adecuada y para sacar los gases por la chimenea del equipo que quema el combustible para evitar la contracorriente. Siga las directrices del fabricante del equipo de calefacción y las normas de seguridad, tales como las que publica la Asociación Nacional de Protección Contra Incendios (NFPA) y la Sociedad Americana de Ingenieros de Calefacción, Refrigeración y Aire Acondicionado (ASHRAE) y las de las autoridades responsables del código local.
5. Al cortar o taladrar en la pared o en el techo, procure no dañar el cableado eléctrico ni otras instalaciones ocultas.
6. Los ventiladores con conductos deben tener siempre salida al exterior.
7. No use el aparato con cualquier dispositivo de control de velocidad de semiconductores.
8. Para reducir el riesgo de incendio, utilice sólo conductos metálicos.
9. Este aparato debe conectarse a tierra.
10. Cuando la reglamentación local aplicable sea más restrictiva en materia de instalación o certificación, dicha reglamentación prevalecerá sobre las exigencias de este manual y el instalador acepta atenerse a dicha reglamentación y asumir los gastos correspondientes.

PARA REDUCIR EL RIESGO DE INCENDIO DE LA GRASA ACUMULADA EN LA PARTE SUPERIOR DE LA COCINA:

- a) Nunca deje una cocina a fuego fuerte desatendida. Los desbordamientos causan humo y derrames grasientos que pueden encenderse. Caliente el aceite lentamente y a fuego lento o mediano.
- b) Encienda la campana siempre que cocine a fuego fuerte o al flambear alimentos (p. ej., Creps Suzette, cerezas Jubilee, carne de res flambeada con pimienta).
- c) Limpie los ventiladores con frecuencia. No debe dejarse que se acumule la grasa en el ventilador, filtros o conductos de salida.
- d) Use sartenes, ollas y cacerolas del tamaño adecuado a las dimensiones de la placa eléctrica o fuego.

⚠️ ADVERTENCIA

PARA REDUCIR EL RIESGO DE LESIONES PERSONALES EN CASO DE INCENDIO DE LA GRASA ACUMULADA EN LA PARTE SUPERIOR DE LA COCINA, SIGA ESTAS INDICACIONES*:

1. SOFOQUE LAS LLAMAS con una tapa bien ajustada, una bandeja metálica u hoja para hacer galletas y, a continuación, apague el quemador. **TENGA CUIDADO DE NO QUEMARSE.** Si las llamas **NO SE APAGAN INMEDIATAMENTE, EVACÚE EL LUGAR INMEDIATAMENTE Y LLAME A LOS BOMBEROS.**
2. **NO TRATE NUNCA DE SUJETAR UNA SARTÉN EN LLAMAS:** podría quemarse.
3. **NO USE AGUA,** ni trapos de cocina o toallas húmedos: esto podría causar una violenta explosión de vapor.
4. Use un extintor **SÓLO** si:
 - A. Tiene un extintor de tipo ABC y sabe cómo funciona.
 - B. El fuego es pequeño y se limita a la zona donde comenzó.
 - C. Ya llamó a los bomberos.
 - D. Puede combatir el fuego disponiendo de un lugar de salida a su espalda.

* Basado en "Kitchen Fire Safety Tips" (consejos de seguridad contra incendios de cocina) publicado por la NFPA.

ADVERTENCIA

1. Sólo para uso interior.
2. Sólo para ventilación general. No lo use para evacuar materias ni vapores peligrosos o explosivos.
3. Para evitar daños en los cojinetes del motor y ventiladores ruidosos o desequilibrados, mantenga la pulverización del cartón yeso, el polvo de construcción, etc. lejos de la unidad de alimentación.
4. El motor de la campana tiene un dispositivo de sobrecarga térmica que apaga automáticamente el motor si se sobrecalienta. El motor volverá a funcionar cuando se enfríe. Si el motor sigue apagándose y encendiéndose, haga que un técnico examine la campana.
5. La distancia mínima entre la superficie sobre la que se cocina y la campana es de 24" (30" para cocinas de gas). Se aconseja una distancia máxima de 30" por encima de la superficie sobre la que se cocina para capturar mejor las impurezas que se producen al cocinar.
6. Se recomienda que haya dos personas para instalar la campana dadas sus grandes dimensiones y su peso.
7. Para reducir el riesgo de incendio y expulsar el aire debidamente, compruebe que el aire vaya al exterior. No lleve el aire a espacios situados entre paredes, en el techo o en un desván, en sótanos pequeños ni en cocheras.
8. Dada la alta capacidad de expulsión de aire de esta campana, debe asegurarse de que en la casa entra aire suficiente. Abra una ventana en o cerca de la cocina.
9. Para reducir el riesgo de incendio o de descarga eléctrica, los modelos de la serie Broan Elite EW54 sólo deben instalarse con sus propios ventilador impelente incorporado.
10. Usando en el modo sin conducto, para reducir el riesgo de incendio o de descarga eléctrica, los modelos de la serie Broan Elite EW54 sólo deben instalarse con el conjunto de recirculación sin conducto modelo HRKMBLS.
11. Para mayor información sobre otras exigencias, lea la etiqueta de especificaciones que viene en el aparato.

1. PREPARE LA INSTALACIÓN

⚠ ADVERTENCIA

Para instalar, reparar o limpiar la campana, se aconseja llevar lentes y guantes de seguridad.

NOTA: antes de empezar la instalación, compruebe el contenido de la caja. Si hay elementos que faltan o están dañados, póngase en contacto con el fabricante.

Compruebe que los siguientes elementos están incluidos:

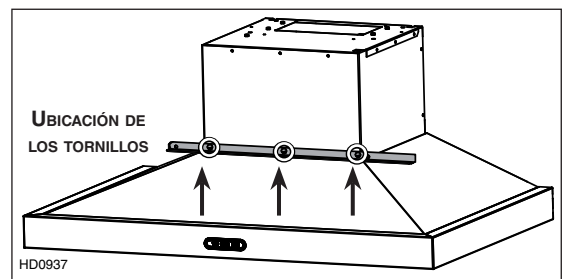
- Campana
- Accesorios
 - Conjunto de la chimenea decorativa (parte inferior y superior)
 - Soporte de montaje de la campana
 - Soporte de montaje de la parte superior de la chimenea
 - 2 filtros de microfiltración
 - Adaptador/compuerta redondo de 6" (para descarga vertical), en una bolsa
 - Adaptador/compuerta de 3¼" x 10" (para descarga horizontal o vertical)
 - Ventosa (sujeta con cinta adhesiva a una de las bombillas halógenas GU10)
 - Bolsa de piezas que incluye: 5 tornillos embutidos n.º 8 x 1½", 8 tornillos n.º 8 x 3/4", 6 tornillos n.º 8 x 3/8", 6 dispositivos de sujeción para paneles murales, 3 arandelas, 2 tornillos n.º 8 x 1/2", 2 piezas de neopreno. Si es necesario, deseche las piezas que sobren.

Piezas vendidas por separado:

- Conductos, codos, capuchones murales y para tejado.
- Prolongación opcional para la chimenea para techos de 10 pies, modelo FXE54BLS.
- Conjunto para instalación sin conducto modelo HRKMBLS, obligatorio para una instalación en recirculación.

NOTA: La altura del techo no debe exceder 9 pies para una instalación en recirculación.

Antes de la instalación, retire y deseche el soporte de envío (gris) y sus tornillos de sujeción. Véase la ilustración a la derecha.



2. SELECCIONE EL TIPO DE INSTALACIÓN

NOTA: durante la instalación, proteja la encimera y la parte superior de la cocina.

2.1 INSTALACIÓN SIN CONDUCTO

Un conjunto para instalación sin conducto modelo HRKMBLS es necesario para este tipo de instalación.

2.2 INSTALACIÓN CON CONDUCTOS

Planifique dónde y cómo instalará los conductos.

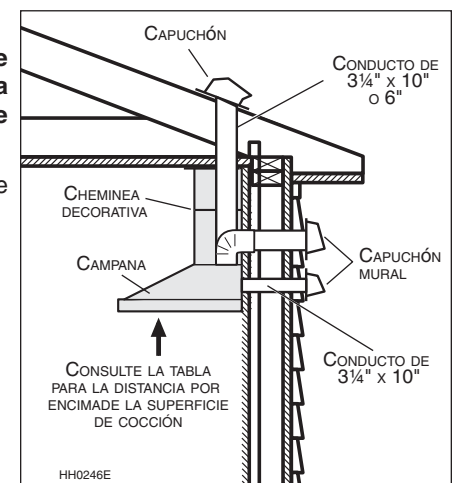
Instale conductos, codos y capuchones del tamaño adecuado, según el tipo de instalación. Para descarga vertical, utilice conductos redondos de 6" o de 3¼" x 10" y para descarga horizontal utilice únicamente conductos de 3¼" x 10". Utilice cinta adhesiva metálica para sellar las juntas de los conductos.

2.3 TODAS LAS INSTALACIONES

La distancia mínima entre la superficie sobre la que se cocina y la campana es de 24" (30" para cocinas de gas). Se aconseja una distancia máxima de 30" por encima de la superficie sobre la que se cocina para capturar mejor las impurezas que se producen al cocinar.

Las distancias superiores a 30" son a discreción del instalador y de los usuarios, siempre que la altura del techo y la longitud de la chimenea decorativa lo permiten.

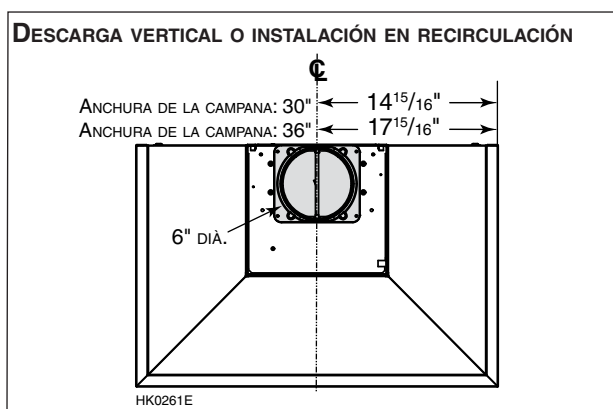
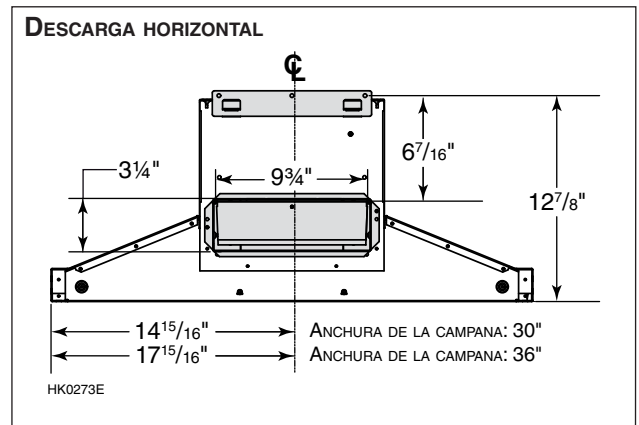
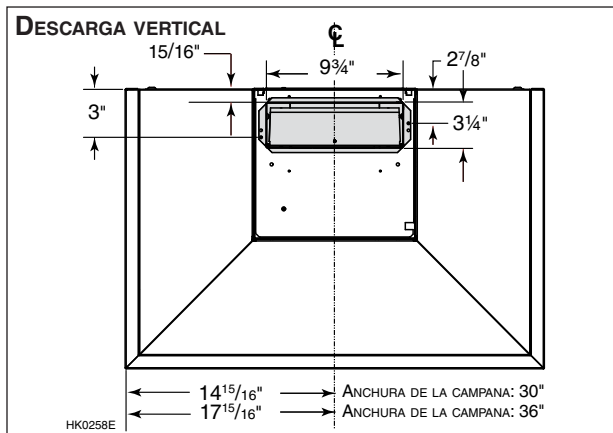
ALTURA DEL TECHO	DISTANCIA MÍNIMA ENTRE LA CAMPANA Y LA PARTE SUPERIOR DE UNA COCINA ELÉCTRICA	DISTANCIA MÍNIMA ENTRE LA CAMPANA Y LA PARTE SUPERIOR DE UNA COCINA DE GAS
8 PIES	24 PULGADAS	30 PULGADAS
9 PIES	28½ PULGADAS	30 PULGADAS
10 PIES*	28½ PULGADAS	30 PULGADAS



* Los techos de 10 pies requieren la prolongación de la chimenea, modelo FXE54BLS, que se vende por separado.

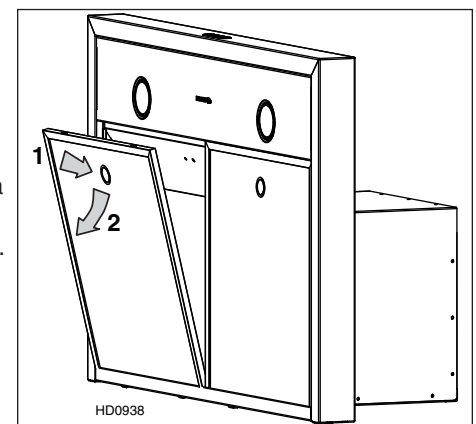
2. SELECCIONE EL TIPO DE INSTALACIÓN (CONT.)

Consulte las ilustraciones que aparecen a continuación para localizar la abertura del conducto según el tipo de descarga elegido (las piezas grises se instalan posteriormente).



3. QUITE LOS FILTROS DE GRASA

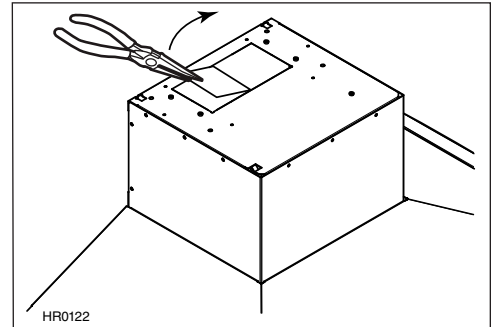
Coloque la campana sobre una mesa. Quite las cintas en los filtros. Retire los filtros de la campana empujándolos hacia abajo (1) e inclinándolos (2). Reserve los filtros. Retire ambas piezas de poliestireno y la cinta de debajo del ventilador impelente y deséchelos.



4. ELIJA LA APERTURA

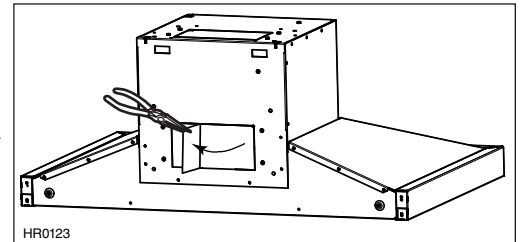
PARA DESCARGA VERTICAL O UNA INSTALACIÓN EN RECIRCULACIÓN:

Desde el exterior del aparato, retire el orificio troquelado para despejar la apertura de la descarga vertical (vea la ilustración de al lado).



PARA DESCARGA HORIZONTAL:

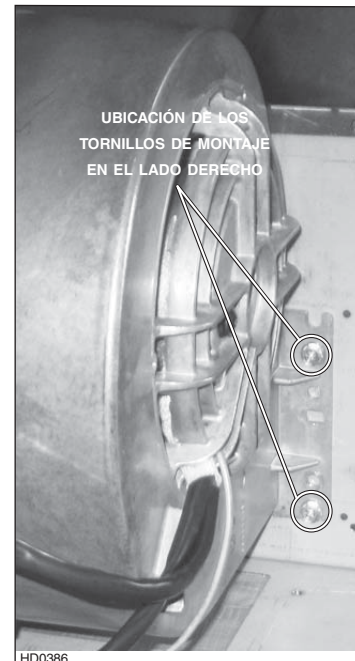
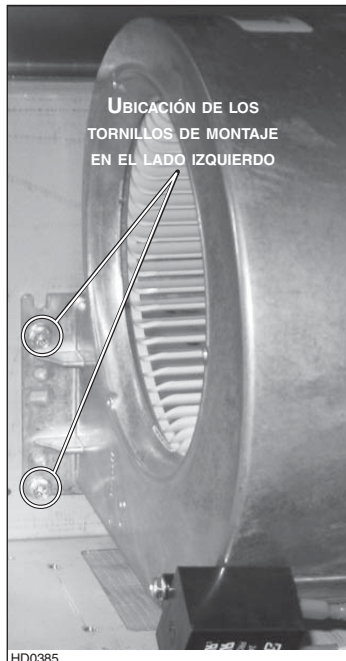
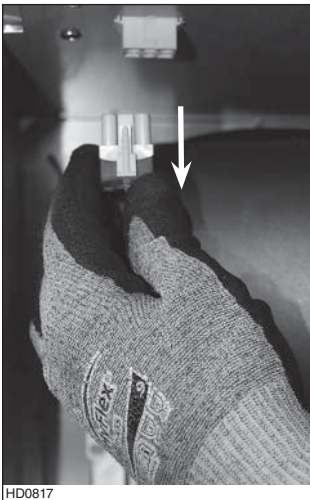
Desde el exterior del aparato, retire el orificio troquelado de la parte trasera de la campana (vea la ilustración de al lado).



5. EXTRACCIÓN DEL VENTILADOR IMPELENTE (DESCARGA HORIZONTAL SOLAMENTE)

Las campanas de la serie EW54 vienen de fábrica con el ventilador impelente montado para una configuración de descarga vertical. Para una configuración de descarga horizontal, desmonte el ventilador desde la parte superior interna de la campana (véase abajo cómo proceder). Se volverá a instalar en la parte trasera interna de la campana una vez que la campana esté instalada en la pared.

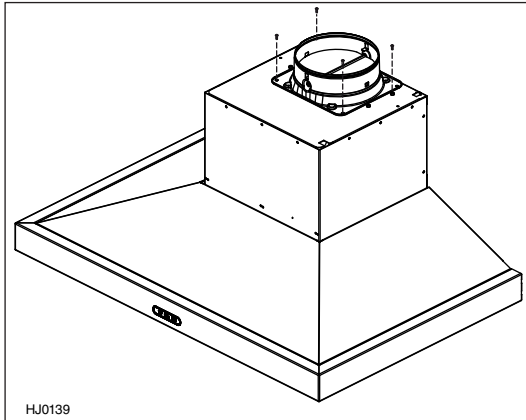
- 1) Desenchufe el ventilador.
- 2) Use una llave de tubo de 5/16" o un destornillador Robertson o Phillips n.º 2 para quitar los 4 tornillos de montaje del ventilador (2 en cada lado) desde la parte superior interna de la campana. Reserve el ventilador y los tornillos.



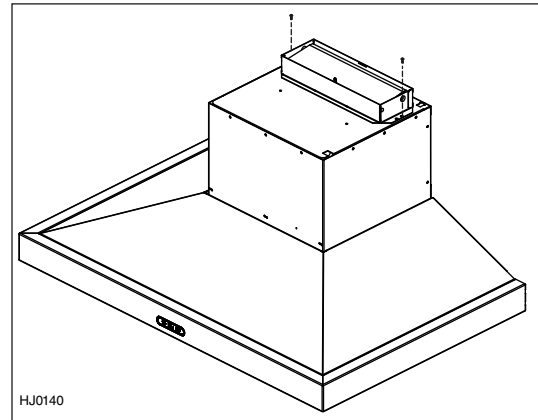
6. INSTALE EL ADAPTADOR/COMPUERTA (REDONDA DE 6" O 3¼" x 10")

Coloque en la campana el adaptador/compuerta redonda de 6" (incluida en la bolsa) utilizando 4 tornillos n.º 8 x 3/8" (incluidos) o el adaptador/compuerta de 3¼" x 10" utilizando 2 tornillos n.º 8 x 3/8" (incluidos). Selle el adaptador/compuerta a la campana con cinta adhesiva metálica.

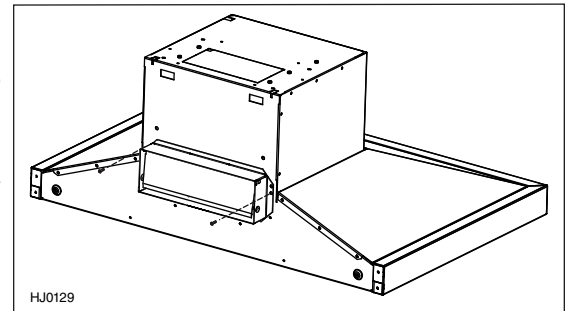
DESCARGA VERTICAL REDONDO DE 6" Y INSTALACIÓN EN RECIRCULACIÓN SOLAMENTE



DESCARGA VERTICAL 3¼" x 10"



DESCARGA HORIZONTAL 3¼" x 10"



Sujete el adaptador/compuerta a la parte posterior de la campana utilizando 2 tornillos n.º 8 x 3/8" (incluidos). Selle el adaptador/compuerta a la campana con cinta adhesiva metálica.

NOTA: Los conductos de la pared deben estar debidamente preparados para acoger el adaptador. Antes de realizar la instalación, asegúrese de que el adaptador encaja fácilmente en el conducto.

7. INSTALACIÓN DEL CABLEADO

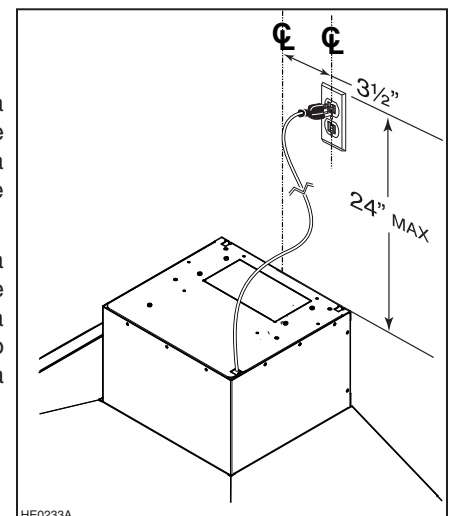
⚠ ADVERTENCIA

Una puesta a tierra incorrecta puede provocar un riesgo de descarga eléctrica. Consulte a un electricista cualificado si no comprende bien las instrucciones de puesta a tierra o si tiene dudas sobre la puesta a tierra del aparato. No utilice el aparato con un cable prolongador. Si el cable de alimentación es demasiado corto, haga que un electricista cualificado instale un enchufe más cerca del aparato, de acuerdo con todos los códigos y normas aplicables. Antes de iniciar el cableado, desconecte la corriente eléctrica en la entrada de servicio.

INSTRUCCIONES PARA LA PUESTA A TIERRA

Este aparato debe conectarse a tierra. En caso de cortocircuito eléctrico, la puesta a tierra reduce el riesgo de choque eléctrico al proporcionar un cable de escape para la corriente eléctrica. Este aparato está equipado con un cordón que contiene un cable de puesta a tierra mediante un enchufe con toma de tierra. El enchufe debe enchufarse en una toma de corriente que esté correctamente instalada y conectada a tierra.

Coloque la toma de corriente en el espacio cubierto por la chimenea decorativa. Sitúe la toma de corriente a una distancia máxima de 24" (desde el lugar desde donde el cordón sale de la campana). El centro de la toma de corriente debe colocarse a 3½" del centro de la futura ubicación de la campana (como se muestra en la figura de al lado). Asegúrese de que esto no interfiere con la zona para fijar el soporte de montaje o con la chimenea decorativa (donde la chimenea toca la pared).



8. INSTALE EL SOPORTE DE MONTAJE DE LA CAMPANA

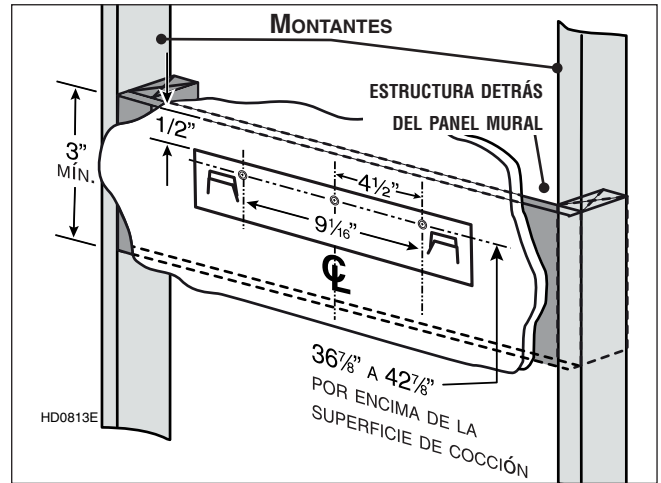
⚠ ADVERTENCIA

Al cortar o taladrar en la pared, no dañe el cableado eléctrico ni otras instalaciones de servicios públicos.

Construya una estructura mural de madera que sea pareja con la superficie de los montantes de la pared. La estructura mural de madera debe tener al menos 1/2" de grosor y 3" de altura. Sujete la estructura mural de madera a los montantes para lograr una instalación sólida.

Asegúrese de que la altura de la estructura permitirá sujetar el soporte de montaje a la estructura conforme a las dimensiones que se muestran. Una vez terminada la superficie de la pared, centre y ponga a nivel el soporte de montaje de la campana sobre el lugar de la instalación. Sujételo a la pared con 3 tornillos n.º 8 x 1 1/2".

Utilice un nivel para trazar una línea vertical hasta el techo, empezando desde el centro del soporte de montaje.



$36\frac{7}{8}" =$ PARTE INFERIOR DE LA CAMPANA 24" POR ENCIMA DE LA SUPERFICIE DE COCCIÓN

$42\frac{7}{8}" =$ PARTE INFERIOR DE LA CAMPANA 30" POR ENCIMA DE LA SUPERFICIE DE COCCIÓN

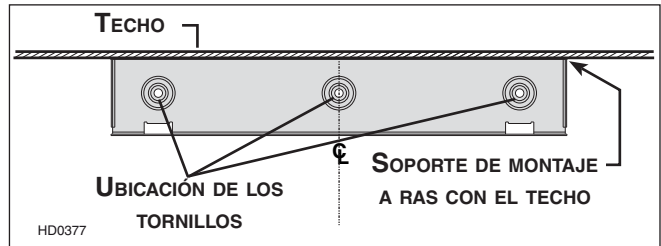
9. INSTALE EL SOPORTE DE MONTAJE DE LA PARTE SUPERIOR DE LA CHIMENEA (INSTALACIÓN CON CONDUCTOS SOLAMENTE)

Centre el soporte de montaje de la parte superior de la chimenea con la línea central trazada anteriormente en la etapa 8 y colóquelo a ras con el techo.

Use el soporte de montaje de la parte superior de la chimenea como plantilla para marcar la posición de sus tornillos.

Taladre los 3 orificios para los tornillos con una broca de 3/16".

Introduzca los dispositivos de sujeción para paneles murales en los orificios taladrados (1 por orificio). Sujete el soporte de la parte superior de la chimenea con 3 tornillos n.º 8 x 3/4". Asegúrese de que el soporte quede bien apretado contra la pared.



10. INSTALE LA CAMPANA

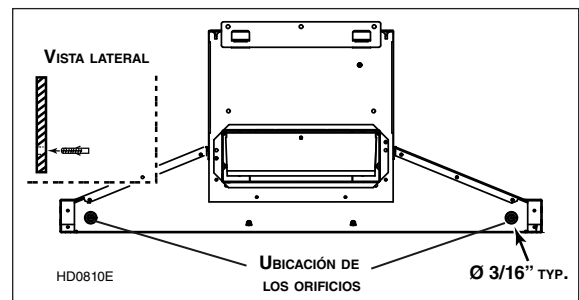
⚠ ADVERTENCIA

TENGA CUIDADO al instalar la chimenea decorativa y la campana, pueden tener bordes cortantes.

PRECAUCIÓN

NO RETIRE aún la película protectora de plástico que cubre la chimenea decorativa (parte superior e inferior).

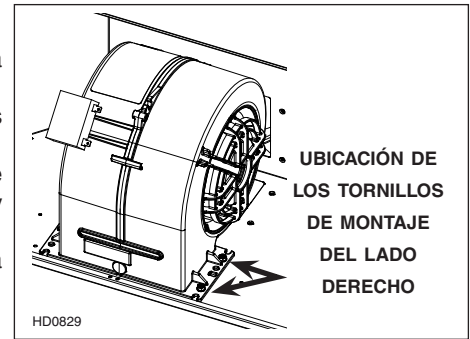
1. Alinee la campana y céntrela por encima del soporte de montaje de la campana. Baje suavemente la campana hasta que encaje firmemente en el soporte.
2. Ponga a nivel la campana.
3. Con la campana colgando en su lugar, marque en la pared ambos lugares de los orificios (2 orificios en relieve en la parte trasera de la campana; véase la ilustración a la derecha).
4. Retire la campana.
5. Taladre en la pared ambos orificios marcados utilizando una broca de 3/16". Introduzca los dispositivos de sujeción para paneles murales incluidos en los orificios taladrados (1 por orificio).
6. Cuelgue la campana en el soporte de la pared.
7. Sujete la campana a la pared con 2 tornillos n.º 8 x 3/4" y 2 arandelas.



NOTA: LA ILUSTRACIÓN SUPERIOR REPRESENTA UNA CONFIGURACIÓN CON SALIDA HORIZONTAL, PERO TAMBIÉN SE APLICA A TODAS LAS CONFIGURACIONES.

11. VUELVA A INSTALAR EL VENTILADOR IMPELENTE (DESCARGA HORIZONTAL SOLAMENTE)

1. Coloque el ventilador en la parte interior trasera de la campana, como se muestra a la derecha.
2. Use una llave de tubo de 5/16" o un destornillador Robertson o Phillips n.º 2 y los 4 tornillos que quitó anteriormente para sujetar el ventilador a la campana.
NOTA: para facilitar la instalación, antes de montar el ventilador, prepare los orificios de los tornillos atornillando los tornillos sin el ventilador; a continuación, retirelos y monte el ventilador.
3. Vuelva a enchufar el conector del ventilador y enchufe el cable de alimentación de la campana en la toma de corriente.

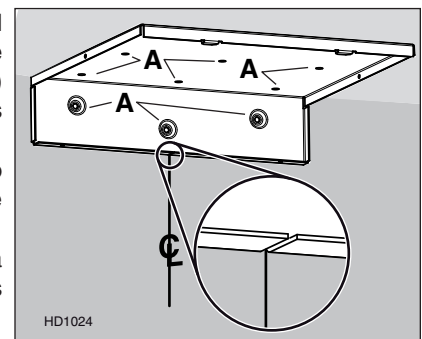


12. INSTALE LA CÁMARA (INSTALACIÓN SIN CONDUCTO SOLAMENTE)

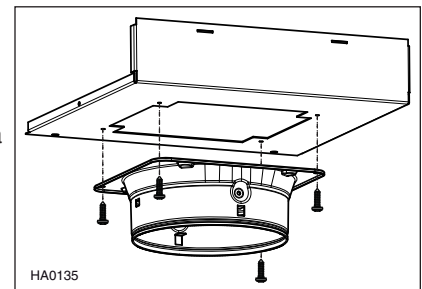
Quite la cinta adhesiva que retiene las placas superior e inferior para la cámara impelente y el adaptador redondo de 6" junto. Alinee cuidadosamente la muesca central de la placa superior de la cámara con la línea trazada anteriormente en la etapa 8 (véase la imagen aumentada al lado) y póngala a nivel con el techo. Use la placa como planilla para marcar la posición (A) de sus tornillos.

NOTA: Para facilitar la instalación existen varias posibilidades de poner los tornillos: 6 en el techo y 2 en la pared, uno en cada lado. Para sujetar la placa superior de la cámara sólo se necesitan cuatro tornillos.

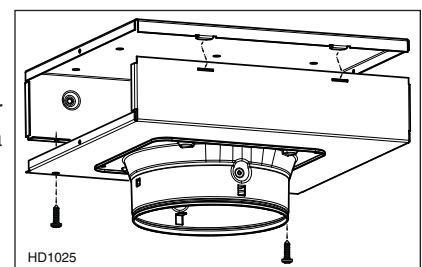
Introduzca los dispositivos de sujeción para paneles murales en los orificios marcados; a continuación, sujete la placa superior por medio de los 4 tornillos n.º 8 x 3/4" y las arandelas (provistos). Compruebe que la placa esté sujeta firmemente contra la pared y el techo.



Utilice los 4 tornillos n.º 8 x 3/8" provistos, para ensamblar el adaptador redondo de 6" en la placa inferior de la cámara.



Ensamble la placa inferior de la cámara y el adaptador redondo de 6" con la placa superior introduciendo las pestañas de la placa superior en sus ranuras correspondientes en la placa inferior. Sujete el conjunto de la cámara impelente con 2 tornillos n.º 8-18 x 3/8" (provistos).

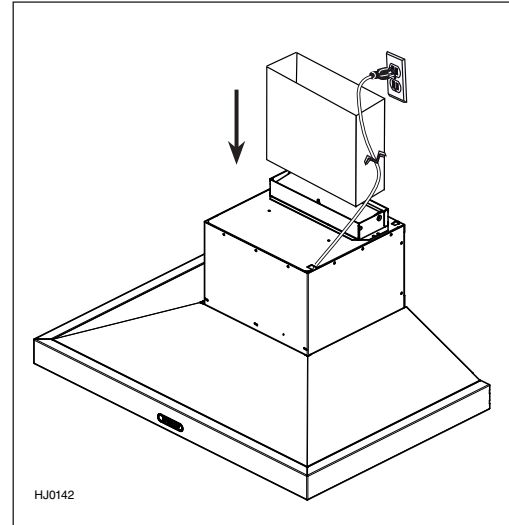
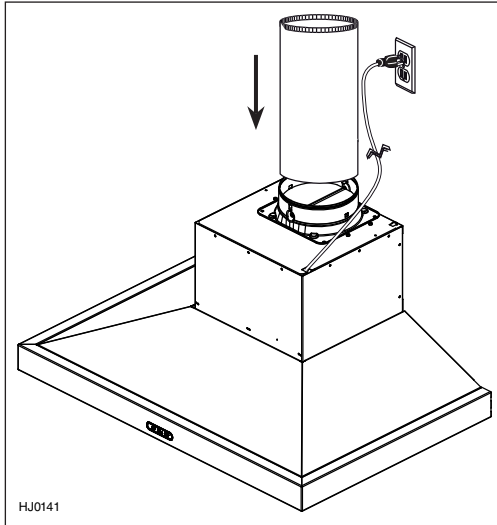


13. CONEXIÓN DE LOS CONDUCTOS (DESCARGA VERTICAL Y INSTALACIÓN SIN CONDUCTO SOLAMENTE)

DESCARGA VERTICAL:

Enchufe el cable de alimentación de la campana en la toma de corriente.

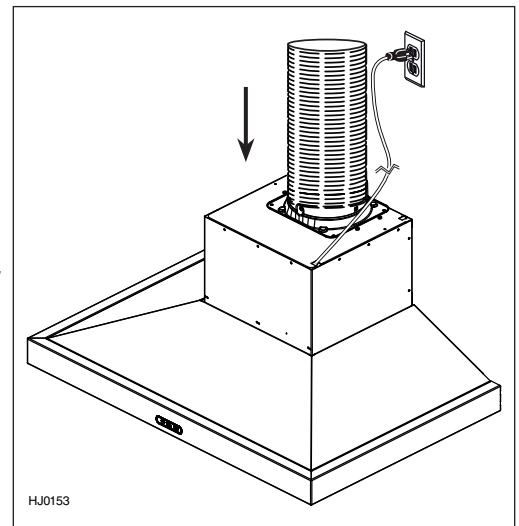
Ponga un conducto redondo de 6" o 3¼" x 10" sobre el adaptador/compuerta en la campana. Utilice cinta adhesiva metálica para sellar la junta.



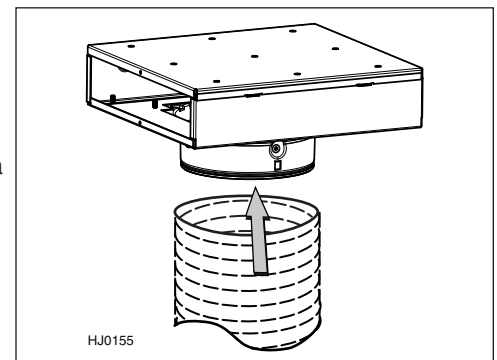
INSTALACIÓN SIN CONDUCTO:

Enchufe el cable de alimentación de la campana en la toma de corriente.

Ponga un conducto metálico flexible redondo de 6" (provisto) sobre el adaptador/compuerta en la campana. Utilice cinta adhesiva metálica para sellar la junta.



Extienda el conducto metálico flexible hasta la cámara, sobre el adaptador. Utilice cinta adhesiva metálica para sellar la junta.



14. PREPARE LA CHIMENEA DECORATIVA

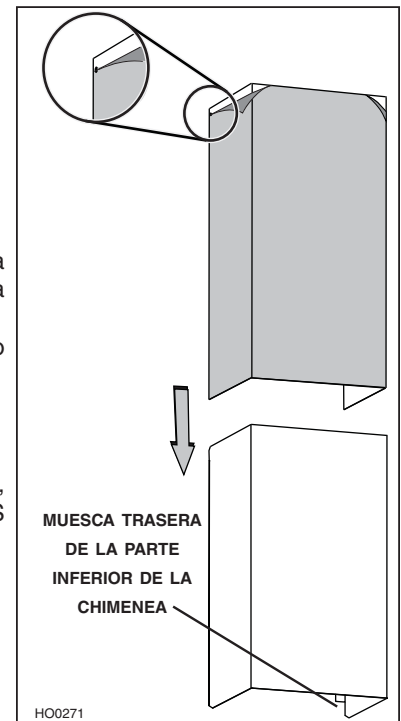
INSTALACIÓN CON CONDUCTOS:

Retire la película protectora de plástico que cubre sólo la parte inferior de la chimenea.

Despegue las dos esquinas superiores de la película protectora en la parte superior de la chimenea (tenga en cuenta que la parte superior tiene un orificio en los lados izquierdo y derecho; vea la imagen de la derecha).

Coloque las muescas traseras de la parte inferior de la chimenea hacia abajo. Deslice con cuidado la parte superior de la chimenea dentro de la parte inferior.

Las partes inferior y superior de la chimenea vienen con la campana, pero para un techo de 10 pies, deseche la parte superior y utilice la prolongación opcional de la chimenea, no de pieza FXE54BLS (se vende por separado).



INSTALACIÓN SIN CONDUCTOS:

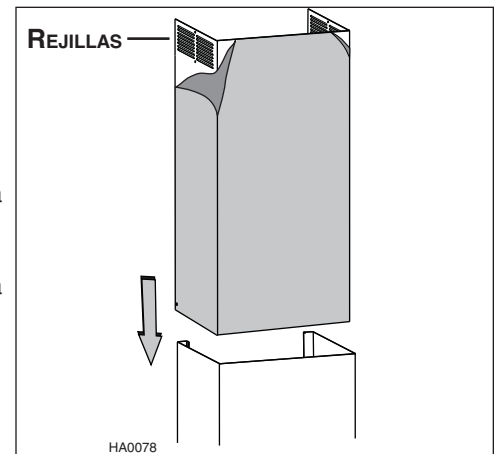
Retire la película protectora de plástico que cubre sólo la parte inferior de la chimenea.

NOTA: No utilizar la parte superior de la chimenea incluida con la campana.

Despegue las dos esquinas con rejillas de la película protectora en la parte superior de la chimenea (encluida en el conjunto para instalación sin conducto).

Coloque las muescas traseras de la parte inferior de la chimenea hacia abajo.

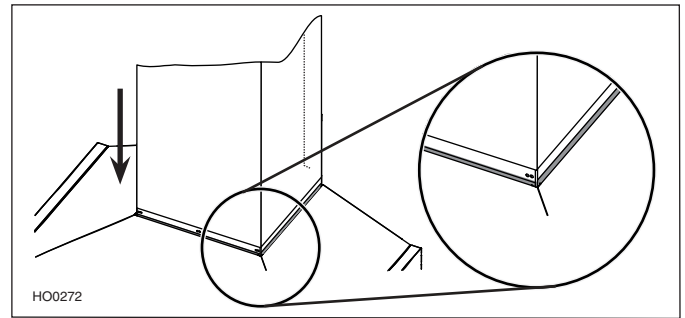
Deslice con cuidado la parte superior de la chimenea dentro de la parte inferior de forma que la rejilla quede arriba.



15. INSTALE LA CHIMENEA DECORATIVA

TODAS LAS INSTALACIONES:

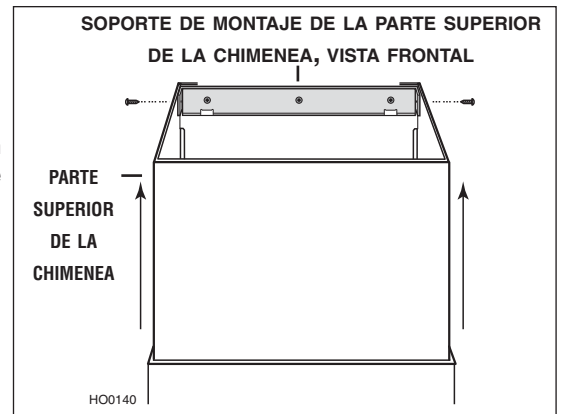
Coloque cuidadosamente en su lugar la base de la chimenea decorativa (el extremo con las muescas en primer lugar) en la ranura (parte sombreada en el recuadro de la derecha) detrás de la pared exterior de la parte superior de la campana.



INSTALACIÓN CON CONDUCTOS:

Deslice hacia arriba la parte superior de la chimenea hasta que quede alineada con el soporte de montaje. El soporte debe quedar dentro de la chimenea. Sujete la parte superior de la chimenea al soporte con 2 tornillos n.º 8 x 3/8" (incluidos).

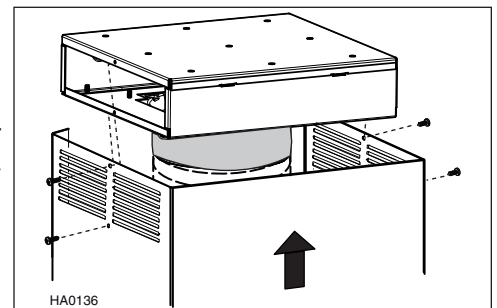
NOTA: no se muestra el conducto en la ilustración para facilitar la comprensión.



INSTALACIÓN SIN CONDUCTO:

Suba la parte superior de la chimenea hasta el techo. La cámara impelente debe estar dentro de la chimenea. Sujete la parte superior de la chimenea a los lados de la cámara con 4 tornillos negro n.º 8 x 1/2" (incluidos, 2 en cada lado).

NOTA: Se ha eliminado el techo de la ilustración para mayor claridad.

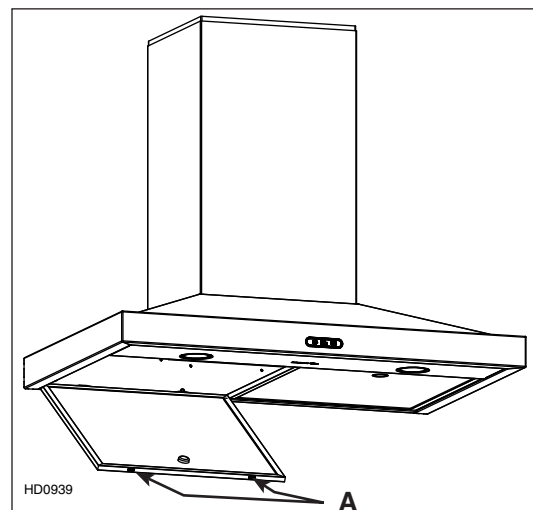


TODAS LAS INSTALACIONES:

Retire la película protectora de plástico que cubre la parte superior de la chimenea.

16. VUELVA A INSTALAR LOS FILTROS

Apoye los resortes de los filtros en la ranura interior trasera de la campana. Use el orificio de agarre para hacer bascular los filtros hasta su posición. Asegúrese de que ambos tornillos situados en el borde delantero del panel de la campana están encajados firmemente en los dos orificios ovalados (A) de los filtros después de la instalación.

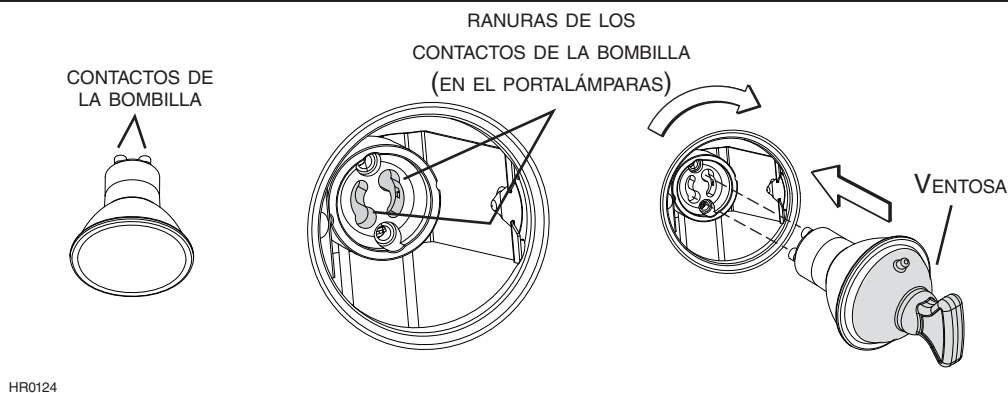


17. LUZ

Las campanas de la serie EW54 de Broan Elite requieren dos bombillas halógenas protegidas (120 V, 50 W máx., MR16 o PAR16 con base GU10), incluidas. Véase la lista de piezas de recambio para la sustitución de las bombillas.

⚠ ADVERTENCIA

No toque las bombillas cuando estén encendidas o poco después de apagarlas. Podría quemarse. Para evitar el riesgo de lesiones personales, instale únicamente bombillas halógenas protegidas. Asimismo, no instale nunca una lámpara de haz luz frío, una lámpara dicróica o una lámpara no adecuada para luces encastradas o destinadas a instalaciones cerradas.



1. Alinee los contactos de la bombilla con las hendiduras situadas en el borde del lugar de la lámpara en la campana (ver la ilustración anterior) y, a continuación, instale las bombillas colocando los contactos en sus ranuras en el portalámparas.
2. Empuje suavemente hacia arriba y gire en el sentido de las agujas del reloj hasta que quede fija.

NOTA: la ventosa (incluida con la campana) se puede usar para instalar y quitar las bombillas. Presione con la ventosa en la bombilla y gire en el sentido contrario a las agujas del reloj para quitar la bombilla o en el sentido de las agujas del reloj para instalar las bombillas.

PRECAUCIÓN

La mayoría de las bombillas de recambio LED GU10 que se encuentran habitualmente en el mercado no están previstas para lugares donde se cocina y puede que no funcionen como se anuncian. No se aconseja su uso con este producto.

18. CUIDADO

⚠ ADVERTENCIA

Antes del mantenimiento o de la limpieza del aparato, apague la alimentación en el tablero de servicio y bloquee el tablero para evitar que se conecte la corriente accidentalmente.

Cuando no se puedan bloquear los medios de desconexión de servicio, coloque firmemente un dispositivo de aviso visible, como una etiqueta, en el tablero de servicio.

Filtros de grasa

Los filtros de grasa deben limpiarse con frecuencia. Utilice una solución de detergente de lavavajillas caliente. Los filtros de grasa pueden lavarse en el lavavajillas.

Limpie los filtros totalmente metálicos en el lavavajillas con un detergente sin fosfato. Si se usan detergentes con fosfatos, los filtros pueden descolorarse; las condiciones del agua también pueden descolorar los filtros pero esto no afectará su rendimiento. Esta descoloración no está cubierta por la garantía. Para minimizar o prevenir la descoloración, lave a mano los filtros con un detergente suave.

Limpieza de la campana

Debe hacerse:

- Lavar regularmente con un paño limpio o un trapo empapado con agua tibia y jabón suave sin fosfato o detergente líquido para vajillas.
- Limpiar siempre en la dirección de las líneas originales de pulido del metal.
- Enjuagar siempre con agua limpia (2 o 3 veces) después de limpiar. Secar completamente.
- También puede utilizar un limpiador doméstico especial para acero inoxidable.

No debe hacerse:

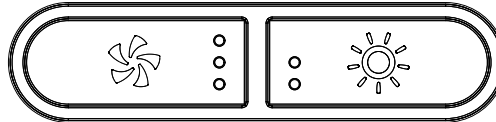
- Utilizar un estropajo de acero o acero inoxidable u otro tipo de rasquetas para quitar la suciedad resistente.
- Utilizar limpiadores fuertes o abrasivos.
- Dejar que la suciedad se acumule.
- Dejar que el polvo del yeso u otros residuos de la construcción manchen la campana. Si efectúa obras de construcción o renovación, cubra la campana para que no se manche la superficie de acero inoxidable.

Al escoger un detergente, evite:

- Los limpiadores que contienen **blanqueador** (lejía), ya que dañarán el acero inoxidable.
- Los productos que contengan **cloruro**, **fluoruro**, **yoduro** y **bromuro**, ya que deterioran las superficies rápidamente.
- Los productos combustibles que se emplean para la limpieza, como **acetona**, **alcohol**, **éter**, **benzol**, etc., ya que son altamente explosivos y nunca deberían estar cerca de una cocina.

19. FUNCIONAMIENTO

Ponga en marcha siempre la campana antes de empezar a cocinar para crear una corriente de aire en la cocina. Deje que el ventilador funcione durante unos minutos para limpiar el aire una vez apagada la cocina. Esto ayudará a mantener toda la cocina más limpia y despejada.



BOTÓN DEL VENTILADOR

Cuando el ventilador esté apagado (OFF), pulse este botón para encender el ventilador a la velocidad que guardó por última vez. Si no se guardó ninguna velocidad, el ventilador se pondrá en velocidad BAJA.

NOTA: cuando se activa el ventilador a velocidad baja desde la posición de apagado, el ventilador empieza a velocidad MEDIA durante un lapso de tiempo muy corto y luego pasa a velocidad BAJA.

Para cambiar la velocidad del ventilador, pulse este botón nuevamente hasta alcanzar la velocidad deseada. La secuencia de velocidades es: BAJA-MEDIA-ALTA-APAGADO. Cada vez que se activa la velocidad del ventilador, se oye un bip y los indicadores LED se encienden para indicar la velocidad elegida correspondiente (el LED inferior para la velocidad BAJA, los LED inferior y central para la velocidad MEDIA y todos los LED para la velocidad ALTA).

Cuando el ventilador está encendido (independientemente de la velocidad), pulse y mantenga pulsado este botón hasta que dejen de oírse los bips; esto apagará el ventilador y se guardará en la memoria la última velocidad del ventilador.



BOTÓN DE LAS LUCES

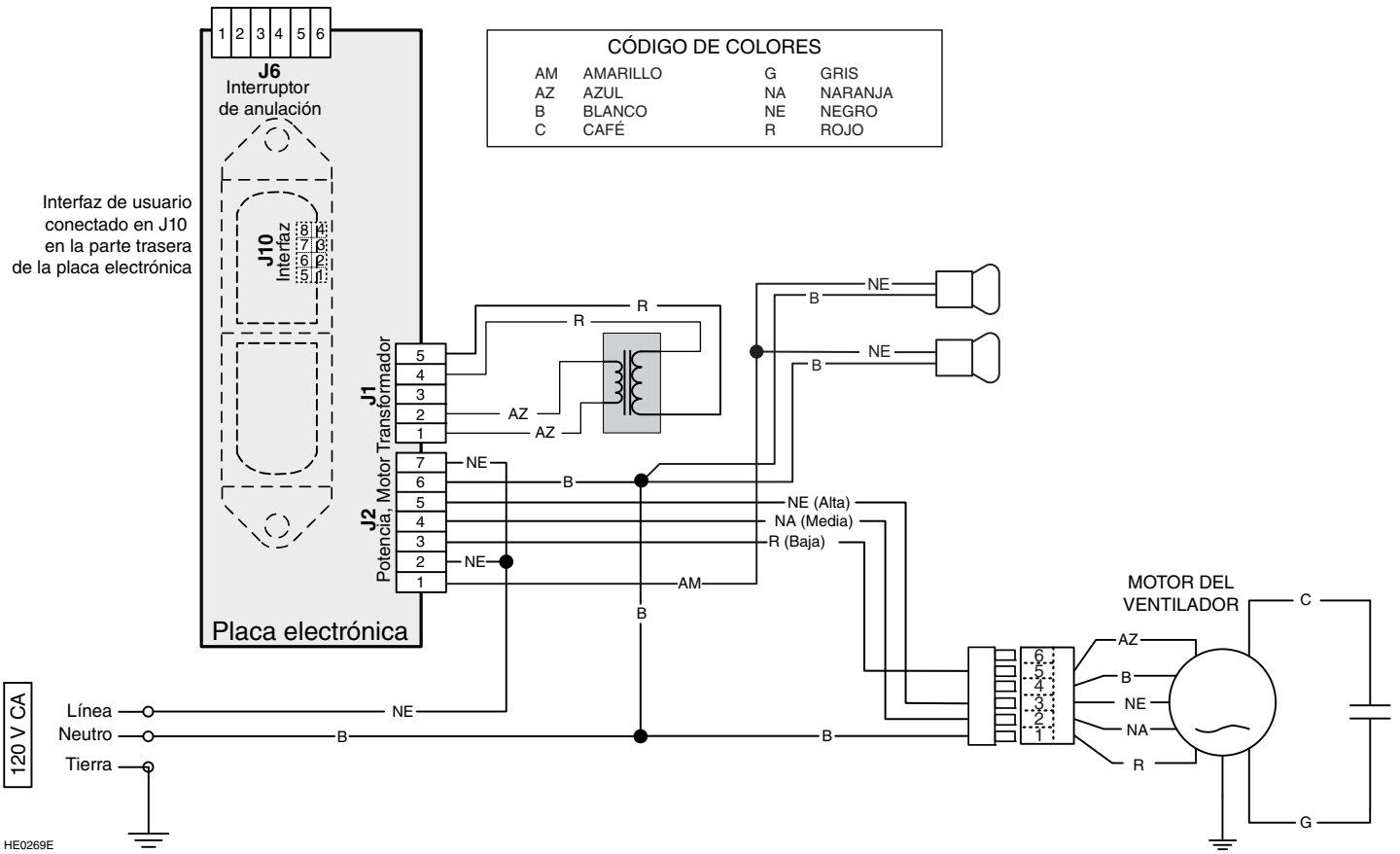
Cuando las luces están apagadas, pulse una vez este botón para encenderlas en el grado de intensidad que guardara la última vez. Si no se guardó ninguna intensidad, las luces se pondrán en intensidad BAJA. Pulse otra vez para que las luces pasen a intensidad ALTA. Al pulsar otra vez después de la intensidad ALTA, las luces se apagaran. Cada vez que se encienden las luces, se escucha un bip y los indicadores LED se encienden para mostrar la intensidad elegida correspondiente (el LED inferior para la intensidad BAJA y ambos LED para la intensidad ALTA).

Cuando las luces están encendidas (independientemente del nivel de intensidad), pulse y mantenga pulsado este botón hasta que dejen de oírse los bips; esto apagará las luces y se guardará en la memoria la última intensidad elegida.

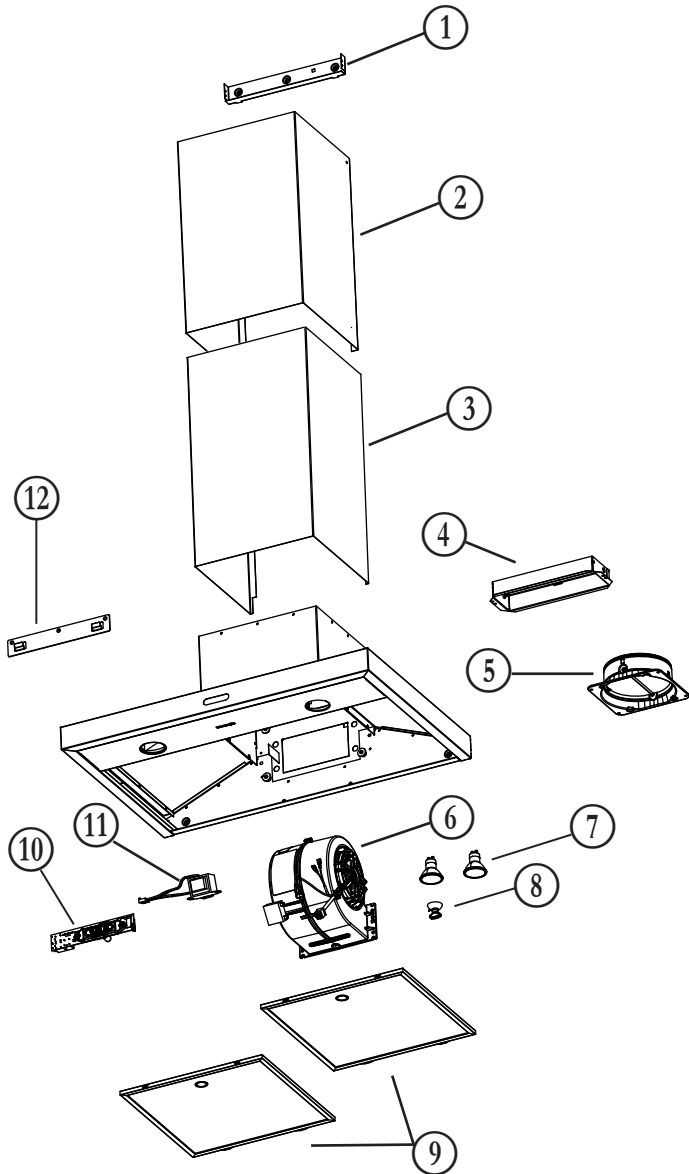
RECORDATORIO DE LIMPIEZA DE LOS FILTROS

Cuando todos los indicadores LED del botón del ventilador parpadeen lentamente durante 30 segundos tras apagar el ventilador, ello significa que ha llegado el momento de limpiar la campana y los filtros. Este parpadeo se produce cada vez que el ventilador está apagado, hasta que el recordatorio de limpieza sea reiniciado. Una vez terminada la limpieza, reinicie el recordatorio de limpieza de los filtros presionando el botón del ventilador durante 3 segundos (durante los 30 segundos de parpadeo de los indicadores LED).

20. DIAGRAMA DE CABLEADOS



21. PIEZAS DE RECAMBIO



N.º	N.º DE PIEZA	DESCRIPCIÓN	CANTIDAD	
			30"	36"
1	SV63673	SOPORTE DE MONTAJE DE LA PARTE SUPERIOR DE LA CHIMENEA	1	1
2	SV63665	PORTE SUPERIOR DE LA CHIMENEA DECORATIVA	1	1
3	SV63664	PORTE INFERIOR DE LA CHIMENEA DECORATIVA	1	1
4	SV13296	ADAPTADOR/COMPUERTA 3¼" x 10"	1	1
5	SV08487	ADAPTADOR/COMPUERTA REDONDO 6"	1	1
6	SV08582	VENTILADOR INTERNO (INCLUYE CONDENSADOR)	1	1
7	SV05921	BOMBILLAS HALÓGENAS PROTEGIDAS 120 V, 50 W, TIPO GU10	2	2
8	SV09983	VENTOSA	1	1
9	99010355	FILTRO DE MICROFILTRACIÓN (1)	2	2
10	S97020436	CONTROLES TÁCTILES SUAVES LED, NEGRO (INCLUYE TORNILLOS)	1	1
11	S97020445	TRANSFORMADOR	1	1
12	SV09014	SOPORTE DE MONTAJE DE LA CAMPANA	1	1
*	SV23136	GUÍA DE INSTALACIÓN	1	1
*	SV23135	HARNÉS DE HILOS	1	1
*	SV09027	BOLSA DE PIEZAS: 5 TORNILLOS EMBUTIDOS N.º 8 x 1½" 8 TORNILLOS N.º 8 x 3/4" 6 TORNILLOS N.º 8 x 3/8" 6 DISPOSITIVOS DE SUJECCIÓN PARA PANELES MURALES, 3 ARANDELAS, 2 TORNILLOS N.º 8 x 1/2" 2 PIEZAS DE NEOPRENO	1	1

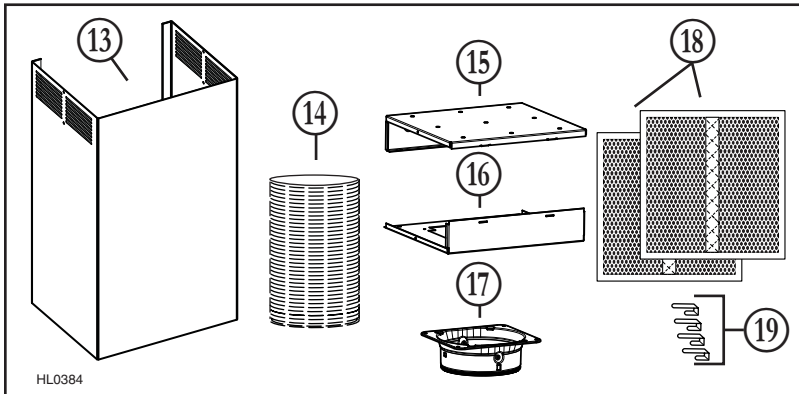
* NO SE MUESTRA

SUSTITUCIÓN DE PIEZAS Y REPARACIÓN

Para que la unidad se conserve en buen estado, debe usar repuestos genuinos de Broan-NuTone LLC únicamente. Estas piezas se han diseñado especialmente para cada unidad y se han fabricado conforme a las normas de certificación aplicables y un elevado nivel de seguridad. El uso de repuestos de otros fabricantes podría causar daños graves y reducir radicalmente el desempeño de la unidad, causando así fallas prematuras. Broan-NuTone LLC también aconseja ponerse en contacto con un taller de reparación homologado por Broan-NuTone LLC para todos los repuestos y reparaciones.

HL0318

CONJUNTO PARA INSTALACIÓN SIN CONDUCTO MODELO HRKMBSL



HL0384

N.º	PIEZA N.º	DESCRIPCIÓN	Ctd
13	SV63629	PORTE SUPERIOR DE LA CHIMENEA DECORATIVA DEL CONJUNTO PARA INSTALACIÓN SIN CONDUCTO, ACERO INOX. NEGRO	1
14	SV22756	CONDUCTO METÁLICO FLEXIBLE REDONDO DE 6"	1
15	SV63626	PLACA SUPERIOR PARA LA CÁMARA IMPELENTE	1
16	SV63627	PLACA INFERIOR PARA LA CÁMARA IMPELENTE	1
17	SV08487WD	ADAPTADOR REDONDO DE 6"	1
18	SV22758	FILTROS DE CARBÓN (PAR) (INCLUYE N.º 18)	1
19	S99527587	SUJETADORES PARA FILTROS DE CARBÓN (JUEGO DE 4)	1
*	SV05803	BOLSA DE PIEZAS: 10 TORNILLOS N.º 8-18 x 3/8" 4 TORNILLOS NEGRO N.º 8 x 1/2" 9 TORNILLOS N.º 8-18 x 3/4" 9 DISPOSITIVOS DE SUJECCIÓN MURALE, 4 ARANDELAS, 6 TORNILLOS N.º 6 x 1/2"	1

* NO SE MUESTRA

22. GARANTÍA

GARANTÍA LIMITADA DE UN AÑO DE LOS PRODUCTOS BROAN ELITE

Broan-NuTone LLC (Broan NuTone) garantiza al consumidor comprador original de sus productos que dichos productos carecen de defectos en los materiales o de mano de obra por un período de un año a partir de la fecha de compra original. NO EXISTEN OTRAS GARANTÍAS, EXPRESAS O IMPLÍCITAS, INCLUYENDO —AUNQUE SIN LIMITARSE A ELLAS— LAS GARANTÍAS IMPLÍCITAS, DE APTITUD O IDONEIDAD PARA UN PROPÓSITO PARTICULAR.

Durante el período de un año, y a su propio criterio, Broan-NuTone reparará o reemplazará sin costo todo producto o pieza que se considere defectuosa en condiciones normales de servicio y uso.

ESTA GARANTÍA NO SE APLICA A LOS CEBADORES, TUBOS, BOMBILLAS HALÓGENAS Y INCANDESCENTES, A LOS FUSIBLES, FILTROS, TUBOS, CAPUCHONES PARA TEJADOS, CAPUCHONES MURALES Y OTROS ACCESORIOS DE CANALIZACIÓN. Esta garantía no cubre: a) el mantenimiento y servicios normales ni b) ningún producto o pieza mal utilizados o que hayan sido objeto de mal uso, negligencia, accidente, mantenimiento o reparación inadecuados (por compañías distintas a Broan-NuTone), instalación defectuosa, o instalación no conforme a las instrucciones de instalación recomendadas.

La duración de cualquier garantía implícita se limita a un periodo de un año, como se indica en la garantía expresa. Algunos estados no permiten limitaciones en cuanto al tiempo de expiración de una garantía implícita, por lo que la limitación antes mencionada puede que no se aplique en su caso.

LA OBLIGACIÓN DE BROAN-NUTONE DE REPARAR O REEMPLAZAR, CON ARREGLO A SU PROPIO CRITERIO, SERÁ EL ÚNICO RECURSO LEGAL DEL COMPRADOR CONFORME A ESTA GARANTÍA. BROAN-NUTONE NO SE HACE RESPONSABLE DE LOS DAÑOS ADICIONALES, CONSECUENTES O ESPECIALES QUE SURJAN O ESTÉN RELACIONADOS CON EL USO O EL RENDIMIENTO DEL PRODUCTO. Algunos estados no permiten la exclusión o limitación de daños adicionales o consecuentes, por lo que la limitación o exclusión antes mencionada puede que no se aplique en su caso.

Esta garantía le proporciona derechos legales específicos, aunque usted también puede tener otros derechos, que varían de un estado a otro. Esta garantía reemplaza todas las garantías anteriores.

Para tener derecho al servicio de garantía, debe usted: a) Informar a Broan-NuTone, a una de las direcciones o teléfonos que aparecen abajo; b) Dar el número de modelo y el número de identificación de la pieza y (c) Describir el tipo de defecto en el producto o pieza. En el momento de solicitar un servicio cubierto por la garantía, deberá presentar una prueba de la fecha de compra original.

Broan-NuTone LLC; 926 W. State Street, Hartford, Wisconsin 53027 www.broan.com 1-800-558-1711