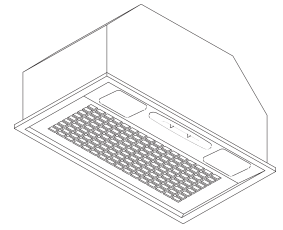


POWER MODULE

To Register this Product Visit www.Nutone.com



READ AND SAVE THESE INSTRUCTIONS

⚠ INTENDED FOR DOMESTIC COOKING ONLY ⚠

⚠ ⚠ WARNING

TO REDUCE THE RISK OF FIRE, ELECTRIC SHOCK, OR INJURY TO PERSONS, OBSERVE THE FOLLOWING:

1. Use this unit only in the manner intended by the manufacturer. If you have questions, contact the manufacturer at the address or telephone number listed in the warranty.
2. Before servicing or cleaning unit, switch power off at service panel and lock service panel to prevent power from being switched on accidentally. When the service disconnecting means cannot be locked, securely fasten a prominent warning device, such as a tag, to the service panel.
3. Installation work and electrical wiring must be done by a qualified person(s) in accordance with all applicable codes and standards, including fire-rated construction codes and standards.
4. Sufficient air is needed for proper combustion and exhausting of gases through the flue (chimney) of fuel burning equipment to prevent backdrafting. Follow the heating equipment manufacturer's guidelines and safety standards such as those published by the National Fire Protection Association (NFPA), and the American Society for Heating, Refrigeration and Air Conditioning Engineers (ASHRAE), and the local code authorities.
5. When cutting or drilling into wall or ceiling, do not damage electrical wiring and other hidden utilities.
6. Ducted fans must always be vented to the outdoors.
7. Do not use this unit with any separate solid-state speed control device.
8. To reduce the risk of fire, use only metal ductwork.
9. This unit must be grounded.

TO REDUCE THE RISK OF A RANGE TOP GREASE FIRE:

- A. Never leave surface units unattended at high settings. Boilovers cause smoking and greasy spillovers that may ignite. Heat oils slowly on low or medium settings.
- B. Always turn hood ON when cooking at high heat or when flambeing food (i.e. Crepes Suzette, Cherries Jubilee, Peppercorn Beef Flambe').
- C. Clean ventilating fans frequently. Grease should not be allowed to accumulate on fan or filter.
- D. Use proper pan size. Always use cookware appropriate for the size of the surface element.

⚠ ⚠ WARNING

TO REDUCE THE RISK OF INJURY TO PERSONS IN THE EVENT OF A RANGE TOP GREASE FIRE, OBSERVE THE FOLLOWING:*

1. SMOTHER FLAMES with a close-fitting lid, cookie sheet, or metal tray, then turn off the burner. BE CAREFUL TO PREVENT BURNS. If the flames do not go out immediately, EVACUATE AND CALL THE FIRE DEPARTMENT.
2. NEVER PICK UP A FLAMING PAN - You may be burned.
3. DO NOT USE WATER, including wet dishcloths or towels - violent steam explosion will result.
4. Use an extinguisher ONLY if:
 - A. You know you have a Class ABC extinguisher and you already know how to operate it.
 - B. The fire is small and contained in the area where it started.
 - C. The fire department is being called.
 - D. You can fight the fire with your back to an exit.

* Based on "Kitchen Fire Safety Tips" published by NFPA.

⚠ CAUTION

1. For indoor use only.
2. To reduce risk of fire and to properly exhaust air, be sure to duct air outside. Do not vent exhaust air into spaces within walls or ceilings or into attics, crawl spaces, or garages.
3. Take care when using cleaning agents or detergents.
4. Avoid using food products that produce flames under the Range Hood.
5. For general ventilating use only. Do not use to exhaust hazardous or explosive materials and vapors.
6. To avoid motor bearing damage and noisy and/or unbalanced impellers, keep drywall spray, construction dust, etc. off power unit.
7. Your hood motor has a thermal overload which will automatically shut off the motor if it becomes overheated. The motor will restart when it cools down. If the motor continues to shut off and restart, have the hood serviced.
8. For best capture of cooking impurities, the bottom of the hood should be a minimum of 24" and a maximum of 30" above the cooking surface.
9. Two installers are recommended.
10. This product is equipped with a thermostat which may start blower automatically. To reduce the risk of injury and to prevent power from being switched on accidentally, switch power off at service panel and lock or tag service panel.
11. Please read specification label on product for further information and requirements.

⚠ CAUTION

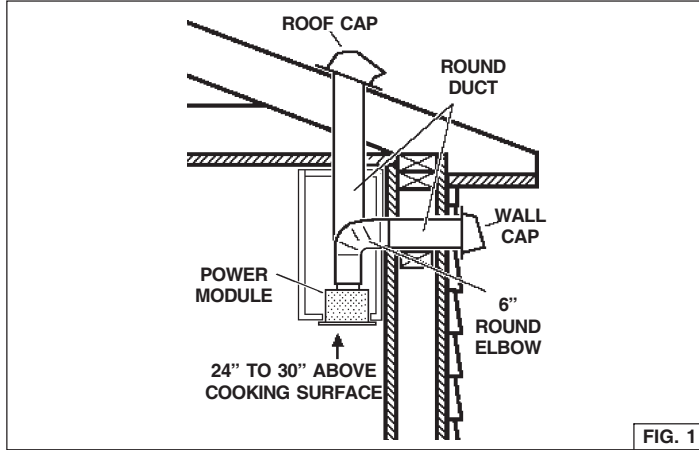


Wear safety gloves before every installation and/or maintenance operation

INSTALL THE DUCTWORK

NOTE: To reduce the risk of fire, use only metal ductwork.

1. Decide where the ductwork will run between the hood and the outside (Refer to Figure 1).
2. A straight, short duct run will allow the hood to perform most efficiently.
3. Long duct runs, elbows, and transitions will reduce the performance of the hood. Use as few of them as possible. Larger ducting may be required for best performance with longer duct runs.
4. Install a roof or wall cap. Connect round metal ductwork to cap and work back towards hood location. Use duct tape to seal the joints between ductwork sections.



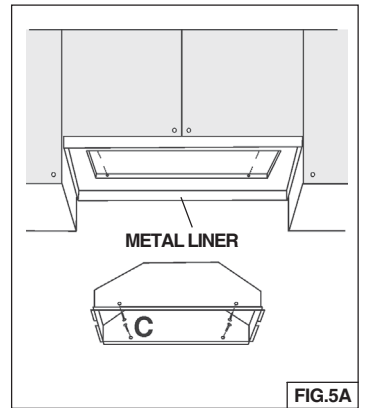
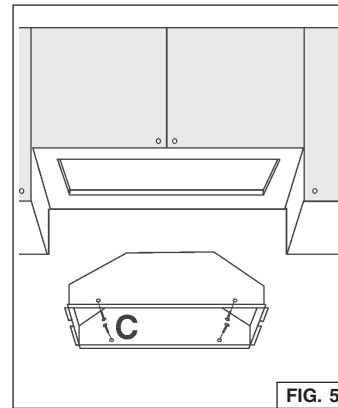
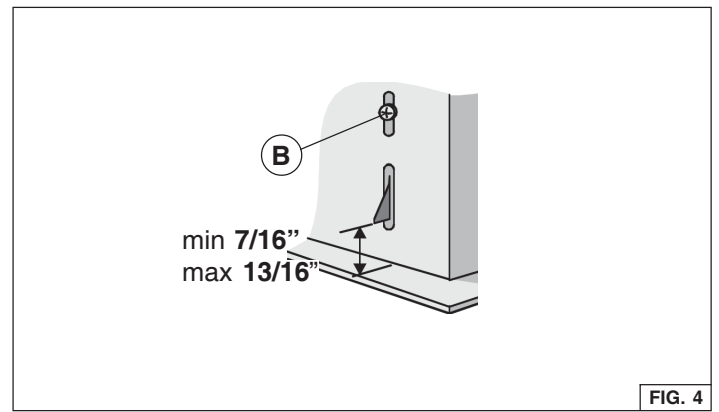
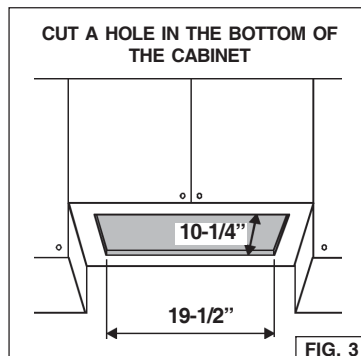
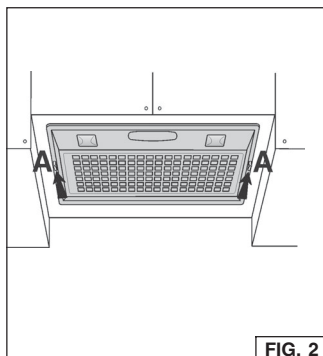
INSTALL THE HOOD

NOTE: the hood has to be installed, inside the cabinet, at minimum 1" from the rear wall cabinet and at 3" from the front wall cabinet.

The internal height of cabinet has to be minimum 16".

The hood should be mounted centered over the cook top burners.

1. Remove the grid by moving the 2 slide fasteners "A" forward (Fig.2).
2. Cut a hole in the bottom of the cabinet, using the dimensions shown (Fig. 3).
3. Adjust the position of the clasping side spring by means of the proper "B" screw according to the thickness of the bored panel to which it is going to be anchored (Fig. 4).
4. **NOTE:** For installations where the Power Pack is less than 30" above cook top, it is recommended that the Power Pack be mounted into a metal liner or non-combustible material. This will allow easier cleaning and provide protection to the cabinetry (Fig.5A).
5. Insert the hood in the cabinet and lock it by means of the side spring.
6. Insert the hood in the cabinet (Fig. 5) or metal liner (Fig. 5A) and secure with the (4) "C" mounting sheet metal screws. (Fig. 5 - wood bottom installation; recommended thickness 1/2"-3/4"). (For alternate mounting, use machine screws with washers and nuts. This alternate mounting method needs to be done prior to installation of metal liner).
7. In the Non-Ducted Recirculation Configuration, install the Non-ducted recirculation Filter before replacing the grid (see section "Non-ducted recirculation filter installation").
8. Replace the grid.



CONNECT DUCTWORK

Ducted Configuration

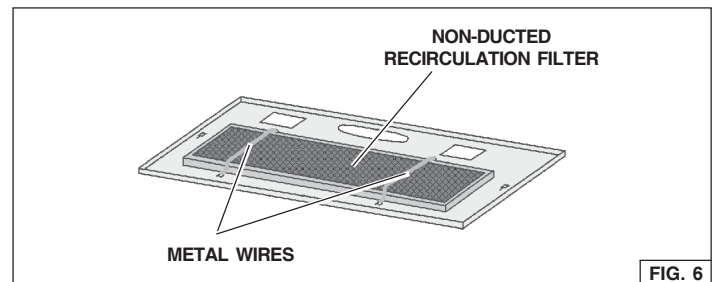
1. Take the **damper** and assemble it onto the hood's discharge opening, pressing slightly.
2. Use **6" round metal duct** to connect the discharge collar on the hood to the ductwork above.
3. Use **duct tape** to make all joints secure and air tight.

Non-Ducted Recirculation Configuration

1. Connect a **6" round metal duct** to the discharge opening so that the air is sent outside the cabinet and sent back into the room.
2. Use **duct tape** to make all joints secure and air tight.

NON-DUCTED RECIRCULATION FILTER INSTALLATION

1. Remove the metal wires (Fig. 9) and discard them.
2. Install the Non-ducted recirculation filter over the grease filter and secure it with the metal wires supplied with the Non-ducted recirculation Filter (Fig. 6).



WIRING

Note: This range hood must be properly grounded.

The unit should be installed by a qualified electrician in accordance with all applicable national and local electrical codes.

GROUNDING INSTRUCTIONS

This appliance must be grounded. In the event of an electrical short circuit, grounding reduces the risk of electric shock by providing an escape wire for the electric current. This appliance is equipped with a cord having a grounding wire with a grounding plug. The plug must be plugged into an outlet that is properly installed and grounded.

WARNING - Improper grounding can result in a risk of electric shock. Consult a qualified electrician if the grounding instructions are not completely understood, or if doubt exists as to whether the appliance is properly grounded.

Do not use an extension cord. If the power supply cord is too short, have a qualified electrician install an outlet near the appliance. Position the electrical outlet at a maximum distance of 33-7/16" (85 cm) from where the lead exits from the hood (see illustration along-side).

Fit the plug into the outlet.

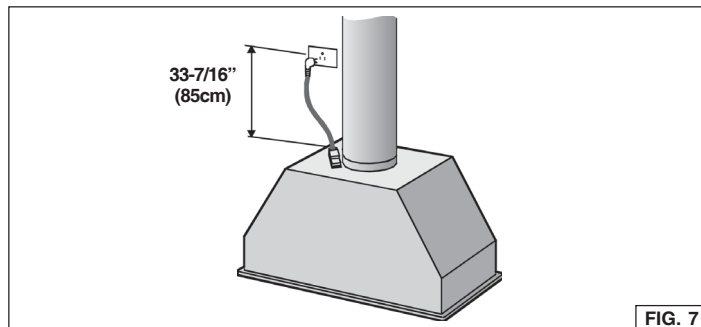


FIG. 7

OPERATION

Controls

The **light switch** turns the lamps on and off.

The **blower switch**: makes it possible to select the motor operating speed. Position 0: motor off.

The **pilot lamp** lights up whenever the blower is on.

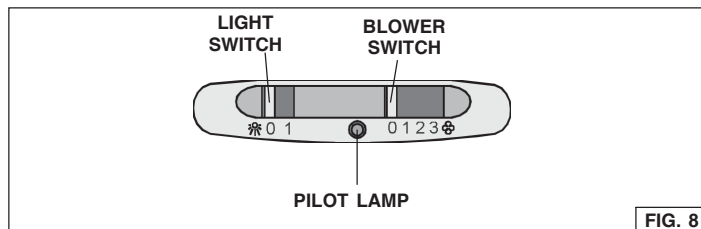


FIG. 8

HEAT SENTRY™

Your hood is equipped with a HEAT SENTRY™ thermostat.

This thermostat is a device that will turn on or speed up the blower if it senses excessive heat above the cooking surface.

- 1) If blower is OFF - it turns blower ON to HIGH speed.
- 2) If blower is ON at a lower speed setting - it turns blower up to HIGH speed.

When the temperature level drops to normal, the blower will return to its original setting.

WARNING

The HEAT SENTRY thermostat can start the blower even if the hood is turned OFF. When this occurs, it is impossible to turn the blower OFF with its switch. If you must stop the blower, do it from the main electrical panel.

MAINTENANCE

ALWAYS SWITCH OFF THE ELECTRICITY SUPPLY BEFORE CARRYING OUT ANY OPERATIONS ON THE APPLIANCE.

Grease Filter

The **grease filter** should be cleaned frequently. Use a warm detergent solution. Grease filter is dishwasher safe.

To remove the grease filter: remove the grid by moving the 2 slide fasteners "A" (Fig. 2); remove the metal wires and then the grease filter (Fig. 9).

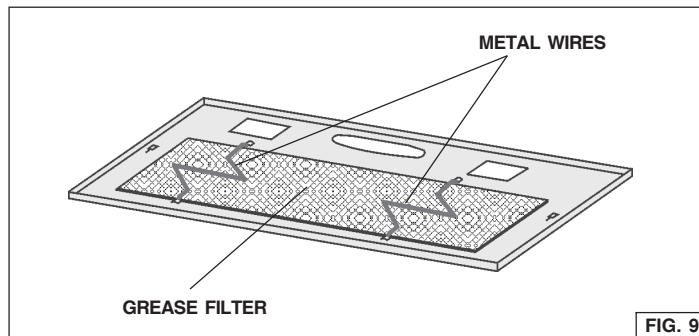


FIG. 9

Non-Ducted Recirculation Filter

The Non-Ducted Recirculation filter should be changed every 6 months.

To remove the Non-Ducted Recirculation filter:

1. Remove the grid by moving the 2 side fasteners "A" (Fig. 2).
2. Remove the metal wires (Fig. 6) and replace the Non-ducted recirculation Filter.

Cleaning

Occasional care will help preserve its fine appearance.

- Clean with warm water and mild detergent only.
- Follow all cleaning by rinsing with clear water.
- Wipe dry with clean, soft cloth.

Light bulbs

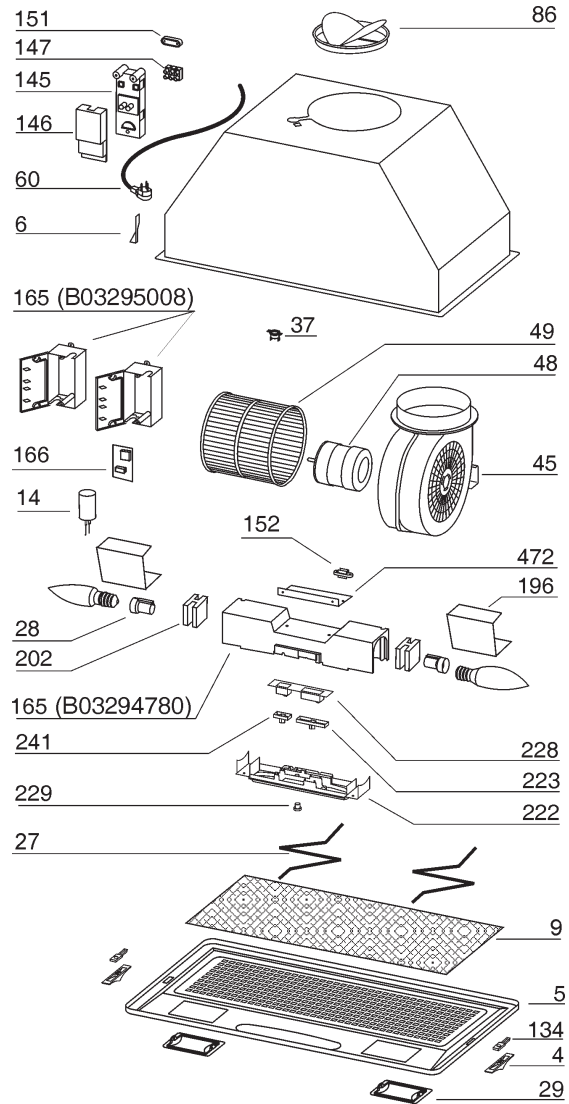
This range hood requires two 40-Watt light bulbs (not included).

To change bulbs:

1. Remove the grid by moving the 2 slide fasteners (A).
2. Replace with light bulbs of the same type (MAX 40W, 120V, Candelabra Base Bulb). CAUTION: BULB MAY BE HOT!

SERVICE PARTS

KEY NO.	PART NO.	DESCRIPTION
4	B03295038	Side Fastener
5	B03127682	Grid
6	B02011013	Spring
9	B08087922	Grease Filter
14	B02300233	Condenser
27	B02011155	Metal Wires
28	B02300280	Lampholder
29	B03293051	Light Fitting
37	B02300787	Heat Sentry
45	BW0000043	Blower
48	B02310203	Motor
49	B03295076	Blower Wheel
60	B02300249	Feeder Cable
86	B08088378	Damper
134	B03295039	Grid Stop
145	B032920170	Wiring Box
146	B032920180	Wiring Box Cover
147	BR2300132	Terminal Block
151	B032920200	Wire Clamp
152	B03292200	Wire Clamp
165	B03294780	Controls Box
165	B03295008	Box Condenser
166	B08086668	Heat Sentry Board
196	BE3348672	Reflector
202	B03294779	Runner Wires
222	B03295040	Control Box Cover
223	B03295042	Blower Switch
228	B08086285	Controls Board
229	B03201014	Pilot Lamp
241	B03295041	Light Switch
472	BE3344843	Controls Bracket
998	B080810782	Hardware Package
CAS	B06002125	Blower Assembly (Included Key No. 45, 48, 49)
AQI	B06108860	Switch box Assembly (Included Key No. 165, 228, 28, 222, 152, 241, 223, 202, 229)
-	-	"40 Watt Max.Candelabra Bulbs not included"
-	B08999040	Non-Ducted Filter Kit (purchased separately)



WARRANTY

ONE YEAR LIMITED WARRANTY FOR NUTONE PRODUCTS

Broan-NuTone LLC (Broan-NuTone) warrants to the original consumer purchaser of NuTone products that such products will be free from defects in materials or workmanship for a period of one year from the date of original purchase. THERE ARE NO OTHER WARRANTIES, EXPRESS OR IMPLIED, INCLUDING, BUT NOT LIMITED TO, IMPLIED WARRANTIES OR MERCHANTABILITY OR FITNESS FOR A PARTICULAR PURPOSE.

During this one-year period, Broan-NuTone will, at its option, repair or replace, without charge, any product or part which is found to be defective under normal use and service.

THIS WARRANTY DOES NOT EXTEND TO FLUORESCENT LAMP STARTERS, TUBES, HALOGEN AND INCANDESCENT BULBS, FUSE, FILTERS, DUCTS, ROOF CAPS, WALL CAPS AND OTHER ACCESSORIES FOR DUCTING. This warranty does not cover (a) normal maintenance and service or (b) any products or parts which have been subject to misuse, negligence, accident, improper maintenance or repair (other than by Broan-NuTone), faulty installation or installation contrary to recommended installation instructions.

The duration of any implied warranty is limited to the one-year period as specified for the express warranty. Some states do not allow limitation on how long an implied warranty lasts, so the above limitation may not apply to you.

BROAN-NUTONE'S OBLIGATION TO REPAIR OR REPLACE, AT BROAN-NUTONE'S OPTION, SHALL BE THE PURCHASER'S SOLE AND EXCLUSIVE REMEDY UNDER THIS WARRANTY. BROAN-NUTONE SHALL NOT BE LIABLE FOR INCIDENTAL, CONSEQUENTIAL OR SPECIAL DAMAGES ARISING OUT OF OR IN CONNECTION WITH PRODUCT USE OR PERFORMANCE. Some states do not allow the exclusion or limitation of incidental or consequential damages, so the above limitation or exclusion may not apply to you.

This warranty gives you specific legal rights, and you may also have other rights, which vary from state to state. This warranty supersedes all prior warranties.

To qualify for warranty service, you must (a) notify Broan-NuTone at the address stated below or telephone number stated below, (b) give the model number and part identification and (c) describe the nature of any defect in the product or part. At the time of requesting warranty service, you must present evidence of the original purchase date.

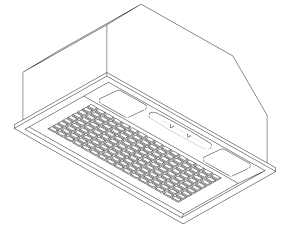
In USA - NuTone®, 926 W. State Street, Hartford, WI 53027 (800-558-1711)

In Canada - NuTone®, 550 Lemire Blvd., Drummondville, QC J2C 7W9 (866-737-7770)

www.nutone.com

MODULE DE PUISSANCE

Pour Register ce produit Visitez www.Nutone.com



LISEZ ET CONSERVEZ CES INSTRUCTIONS

⚠ SEULEMENT POUR UTILISATION DOMESTIQUE ⚠

⚠ ⚠ AVERTISSEMENTS

POUR REDUIRE LES RISQUES D'INCENDIE, DE DECHARGES ELECTRIQUES OU DE DOMMAGES AUX PERSONNES, OBSERVEZ LES INSTRUCTIONS SUIVANTES:

- N'utilisez cet appareil que comme cela est indiqué par le constructeur. Si vous avez des problèmes, contactez le fabricant à l'adresse ou au numéro de téléphone indiqués dans la garantie.
 - Avant de pourvoir à l'entretien ou au nettoyage de votre appareil, éteignez-le au tableau des commandes ou bloquez le tableau des commandes afin d'éviter de le mettre en marche accidentellement. Si vous ne pouvez pas bloquer le système permettant d'éteindre votre appareil, appliquez un avertissement extérieur d'une façon sûre, comme par exemple un panneau, sur le tableau des commandes.
 - L'assemblage et la connexion électrique doivent être faits par des personnes qualifiées en respectant les normes et règlements en vigueur, y compris les normes et règlements concernant les possibilités d'incendie.
 - Il est indispensable qu'il y ait suffisamment d'air pour que la combustion et l'évacuation des gaz à travers le tuyau du brûleur du combustible ait lieu sans retour de flamme. Suivez les indications données par le fabricant du brûleur ainsi que les normes de sécurité comme celles qui sont publiées par l'Association Nationale pour la Protection contre les Incendies National Fire Protection Association (NFPA) et la American Society for Heating, Refrigeration and Air Conditioning Engineers (ASHRAE), et les autorités locales en matière de normes.
 - Quand vous coupez ou percez des trous dans le mur ou le plafond, n'abîmez pas les fils électriques ou autres.
 - Le ventilateur canalisé doit toujours évacuer l'air vers l'extérieur.
 - N'utilisez pas cet appareil avec un appareil contrôlant la vitesse à état solide.
 - Afin de diminuer tout risque d'incendie n'utilisez que des conduits en métal.
 - Votre appareil doit être relié à la terre.
- ATTENTION - POUR REDUIRE LES RISQUES D'INCENDIE DES MATIERES GRASSES QUI SONT EN TRAIN DE CUIRE:**
- Ne laissez jamais ni vos éléments chauffants, ni vos casseroles ou poêles sur le feu sans les contrôler si vous réglez l'apport de chaleur sur une position élevée. Si vos casseroles ou poêles débordent cela provoque de la vapeur et des éclaboussures de graisse qui peuvent prendre feu. Chauffez les huiles lentement à feu bas ou moyen.
 - Faites toujours fonctionner votre hotte quand vous cuisinez à des températures élevées ou quand vous cuisinez des plats flambés. (par ex. crêpes Suzette, Cerises "Jubilé", Steak au poivre flambé).
 - Nettoyez régulièrement les ailes de vos ventilateurs. Ne permettez pas que la graisse s'accumule sur le ventilateur ou sur le filtre.
 - Utilisez des casseroles de taille appropriée. Utilisez toujours des ustensiles de cuisson dont la taille est appropriée à la surface de votre élément de cuisson.

⚠ ⚠ AVERTISSEMENTS

POUR REDUIRE LES RISQUES DE DOMMAGES AUX PERSONNES AU CAS OÙ VOTRE CUISINIÈRE PRENDRAIT FEU, OBSERVEZ LES INSTRUCTIONS SUIVANTES:*

- ETEINDRE LES FLAMMES à l'aide d'un couvercle le plus hermétique possible, une plaque à gâteaux, ou un plateau en métal, puis éteindre le brûleur. ATTENTION à NE PAS VOUS BRÛLER. Si les flammes ne s'éteignent pas immédiatement, SORTEZ ET APPELEZ LES POMPIERS.
- NE PRENEZ JAMAIS EN MAIN UNE POËLE OU UNE CASSEROLE QUI A PRIS FEU - Vous pourriez vous brûler.
- N'UTILISEZ PAS D'EAU, ni torchons ou serviettes mouillés - vous provoqueriez une violente explosion de vapeur.
- Utilisez un extincteur SEULEMENT si:
 - Vous savez que vous avez un extincteur Classe ABC, et vous en connaissez déjà le mode d'emploi.

- Ce n'est pas un très gros incendie et qu'il se limite à l'endroit où il a explosé.
- Vous êtes en train d'avertir les pompiers.
- Vous avez la possibilité d'essayer d'éteindre l'incendie en ayant le dos tourné vers une issue.

* D'après les "Suggestions concernant la Sécurité contre les incendies des cuisines" publiées par NFPA.

⚠ ATTENTION

- Pour usage intérieur seulement.
- Pour réduire tout risque d'incendie et pour évacuer correctement l'air, assurez-vous de prévoir un conduit de ventilation extérieur. Ne videz pas l'air dans les espaces limités par des murs ou des plafonds, les combles, les passages étroits ou les garages.
- Faites très attention quand vous utilisez des produits de nettoyage ou des détergents.
- Évitez d'utiliser des aliments pouvant s'enflammer sous la Range Hood.
- N'utilisez cet appareil que pour une ventilation générale. Ne l'utilisez pas pour évacuer des matières ou des vapeurs dangereuses ou qui peuvent exploser.
- Pour éviter de causer des dommages au moteur et de rendre les rotors bruyants et/ou non équilibrés, évitez que les sprays pour murs secs, la poussière de construction entrent en contact avec la partie électrique.
- Le moteur de votre hotte a un thermostat qui éteindra automatiquement le moteur s'il est surchauffé. Le moteur se remettra en marche lorsqu'il se sera refroidi. Si le moteur continue à s'éteindre et à se remettre en marche, faites vérifier votre hotte.
- Pour mieux capturer les impuretés de cuisine, le bas de votre hotte devrait être à une distance minimum de 24" et à une distance maximum de 30" au-dessus du plan de cuisson.
- Vu que cette hotte est grande et lourde, il est recommandé de confier l'installation de cette hotte à deux personnes.
- Ce produit est doté d'un thermostat qui active automatiquement le moteur. Pour réduire le risque de dommages et éviter l'activation accidentelle, positionner l'interrupteur du panneau de service sur la position OFF et bloquer le panneau de service ou mettre un avertissement externe, par exemple une plaquette.
- Nous vous recommandons de lire l'étiquette indiquant les caractéristiques de votre hotte pour de plus amples informations et exigences.

⚠ ATTENTION



Mettre gants de protection avant d'installer ou effectuer une maintenance

INSTALLATION DU SYSTEME D'EVACUATION

REMARQUE: Pour réduire les risques d'incendie, n'utilisez que des tuyaux en métal.

1. Décidez où le tuyau rond doit être installé, entre votre hotte et l'extérieur (Réf. Figure 1).
2. Un tuyau droit et court permettra à votre hotte de fonctionner d'une façon plus efficace.
3. Un tuyau long avec des coudes et des transitions réduira le bon fonctionnement de votre hotte. En utiliser le moins possible. Pour de longues utilisations, il faut un tuyau d'évacuation d'air ayant un diamètre plus large.
4. Installez un couvercle sur le toit ou au mur. Reliez un tuyau en métal rond au couvercle et faites-le aller jusqu'à l'emplacement de votre hotte. Rendez les jonctions du tuyau hermétiques au moyen d'un ruban pour tuyaux.

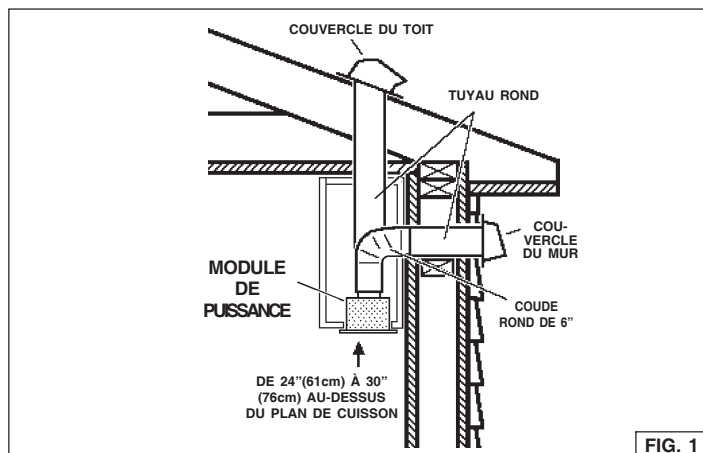


FIG. 1

INSTALLATION DE LA HOTTE

REMARQUE: la hotte doit être installée à l'intérieur du meuble à 1" (25.4mm) minimum de la partie postérieur du meuble et à 3" (76.2mm) de la partie antérieure.

L'hauteur intérieure du meuble doit être de 16" (406.4mm) minimum. La hotte doit être montée au milieu sur les feux du plan de cuisson.

1. Otez la grille en déplaçant les deux attaches latérales "A" (Fig.2).
2. Découpez un trou au fond du meuble en utilisant les dimensions reportées dans la Fig. 3.
3. Réglez la position du ressort de fixation latéral à l'aide de la vis "B" correspondante et ce, en fonction de l'épaisseur du panneau découpé qui servira de support pour la fixation (Fig.4).
4. **REMARQUE :** Pour les installations où le module de puissance se trouve à moins de 30" au-dessus du plan de cuisson, il est recommandé de glisser ce dernier dans une enveloppe métallique ou dans un corps incombustible. Cette précaution facilitera le nettoyage et fournira une protection au meuble (Fig. 5A).
5. Encastrez la hotte dans le meuble et verrouillez à l'aide du ressort latéral.
6. Placer la hotte dans le meuble (Fig. 5) ou dans la gaine en métal (Fig. 5A) et la fixer à l'aide (4) des vis "C" de montage pour tôle.
(Fig. 5 – installation arrière en bois – épaisseur recommandée 1/2"-3/4").
(Pour un montage alternatif, utiliser des vis d'assemblage avec des rondelles et des écrous. Cette méthode de montage alternative doit être faite avant l'installation de la gaine métallique).
7. Dans la configuration recyclant l'air, installez le filtre à charbon avant de reposer la grille (cf. paragraphe "Installation du filtre à charbon").
8. Reposez la grille.

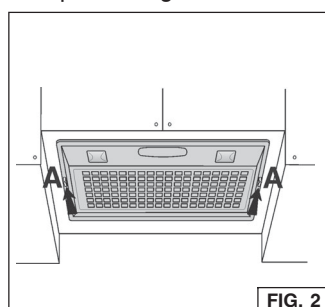


FIG. 2

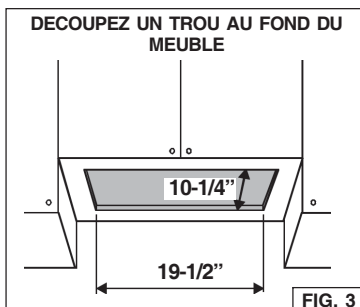


FIG. 3

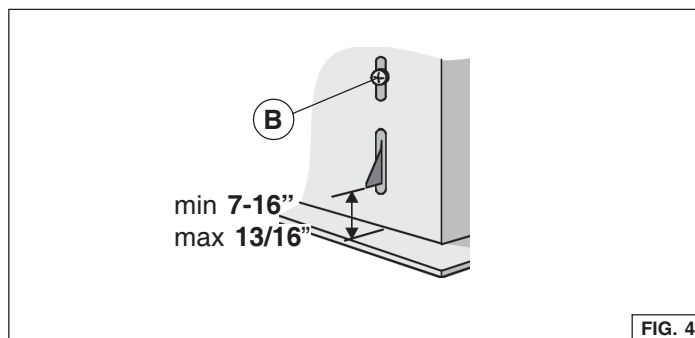


FIG. 4

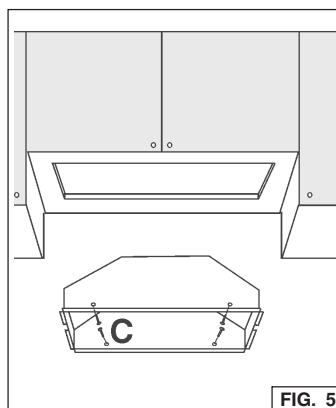


FIG. 5

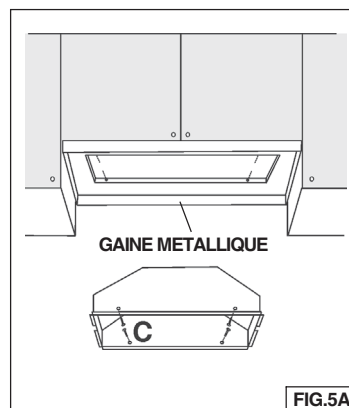


FIG.5A

CONNEXION DU SYSTEME D'EVACUATION

Modèle avec tuyau d'évacuation

1. Prenez le clapet et le monter sur la bouche de sortie d'air de la hotte, en exerçant une légère pression.
2. Reliez le **collier d'évacuation** qui se trouve sur votre hotte au système de conduction qui se trouve au-dessus au moyen d'un **tuyau rond en métal de 6"**.
3. Utilisez un **ruban** pour tuyauterie afin de rendre toutes les jonctions sûres et étanches.

Modèle recyclant l'air

1. Reliez la bouche d'évacuation de l'air à un **tuyau rond en métal de 6"** de sorte que l'air soit convoyé en dehors du placard murale et renvoyé dans la pièce.
2. Utilisez un **ruban** pour tuyauterie afin de rendre toutes les jonctions sûres et étanches.

INSTALLATION DU FILTRE A CHARBON

1. Otez les fils métalliques (Fig. 9) et jetez-les.
2. Installez le filtre à charbon sur le filtre à graisse et assujettissez-le au moyen des fils métalliques fournis avec le filtre à charbon (Fig. 6).

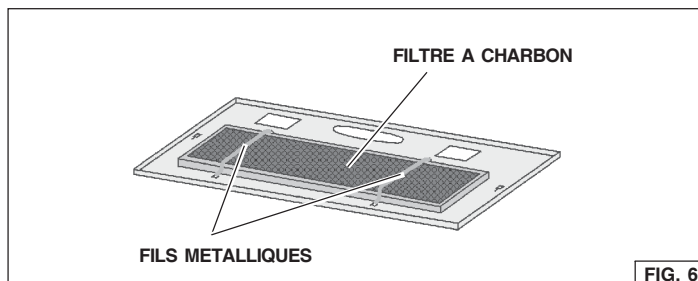


FIG. 6

INSTALLATION ELECTRIQUE

Remarque: Ce modèle de hotte doit être relié à la terre correctement.

Cet article devrait être installé par un électricien qualifié selon les lois nationales et locales en matière d'électricité.

INSTRUCTIONS POUR LA MISE A LA TERRE

Cet appareil doit être relié à la terre. En cas de court-circuit, la mise à la terre réduit le risque de décharge électrique en fournissant un câble permettant au courant d'être dévié. Cet appareil est équipé d'un cordon ayant un câble de mise à la terre avec une fiche de mise à la terre. La fiche doit être branchée dans une prise de courant correctement installée et mise à la terre.

ATTENTION - Une mise à la terre incorrecte peut entraîner un risque de décharge électrique.

Consulter un électricien spécialisé si les instructions de mise à la terre ne sont pas tout à fait compréhensibles ou en cas de doute sur le fait de savoir si l'appareil est correctement relié à la terre. Ne pas utiliser de prolongation. Si le cordon d'alimentation est trop court, demander à un électricien agréé d'installer une prise de courant près de l'appareil.

Placer la prise femelle à une distance maximum de 33-7/16" (85 cm) de l'endroit où le plomb sort de la hotte (voir l'illustration ci-contre).

Mettre la fiche dans la prise femelle.

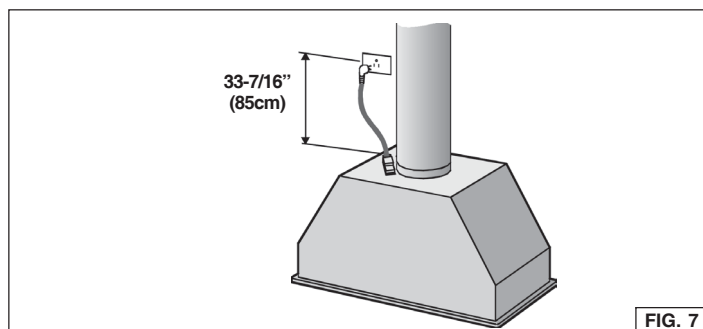


FIG. 7

FONCTIONNEMENT

Commandes

L'**interrupteur de la lumière** allume et éteint les lampes.

L'**interrupteur du moteur** permet de sélectionner la vitesse de marche du moteur. Position 0: moteur éteint.

Le **voyant lumineux** s'allume quand le moteur fonctionne.

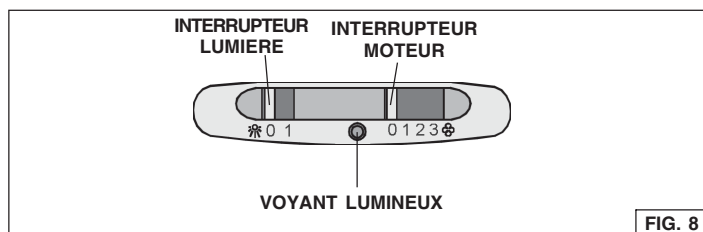


FIG. 8

HEAT SENTRY^{MC}

Votre hotte est munie d'un thermostat HEAT SENTRY^{MC}. Ce thermostat est un dispositif qui actionnera ou augmentera la vitesse du ventilateur s'il détecte une chaleur excessive au-dessus de la surface de cuisson.

1) Si le ventilateur n'est pas en marche - il actionnera le ventilateur en haute vitesse.

2) Si le ventilateur fonctionne en basse vitesse - le ventilateur tournera en haute vitesse.

Lorsque la température revient à la normale, le ventilateur retourne à sa vitesse d'origine.

AVERTISSEMENT

Le thermostat HEAT SENTRY^{MC} peut actionner la hotte même si la hotte est arrêtée. Si tel est le cas, il est impossible de l'arrêter avec l'interrupteur. Si vous devez arrêter le ventilateur, faites-le à partir du panneau électrique principal.

ENTRETIEN

TOUJOURS COUPER L'ALIMENTATION ELECTRIQUE AVANT D'EFFECTUER UNE QUELCONQUE OPERATION SUR

L'APPAREIL.

Filter à graisse

Le **filtre à graisse** devra être fréquemment nettoyé. Utilisez une solution détergente chaude. Le filtre à graisse peut être lavé en machine.

Pour enlever le filtre à graisse ôtez la grille en enlevant les 2 attaches latérales "A" (Fig. 2); enlevez les fils métalliques puis le filtre à graisse (Fig. 9).

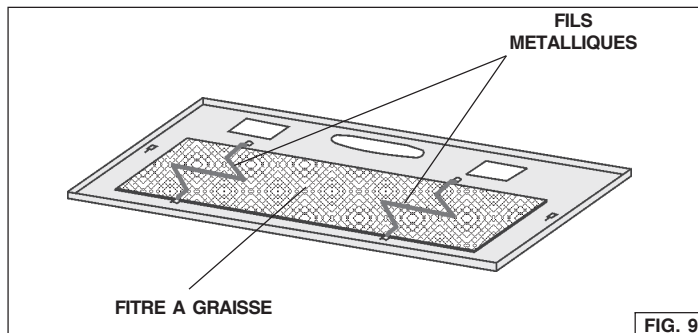


FIG. 9

Filter à charbon

Le filtre à charbon devra être changé tous les 6 mois.

Pour ôter le filtre à charbon:

1. Ôtez la grille en déplaçant les deux attaches latérales "A" (Fig. 2).
2. Ôtez les fils métalliques (Fig. 6) et remplacez le filtre à charbon.

Nettoyage

Un entretien ponctuel contribuera à préserver son aspect.

- Nettoyez à l'eau chaude en prenant soin d'utiliser un détergent non agressif.
- Faites suivre le nettoyage d'un rinçage à l'eau claire.
- Essayez avec un chiffon propre et doux.

Ampoules

Ce type de hotte nécessite deux ampoules à 40 watt (non comprises)

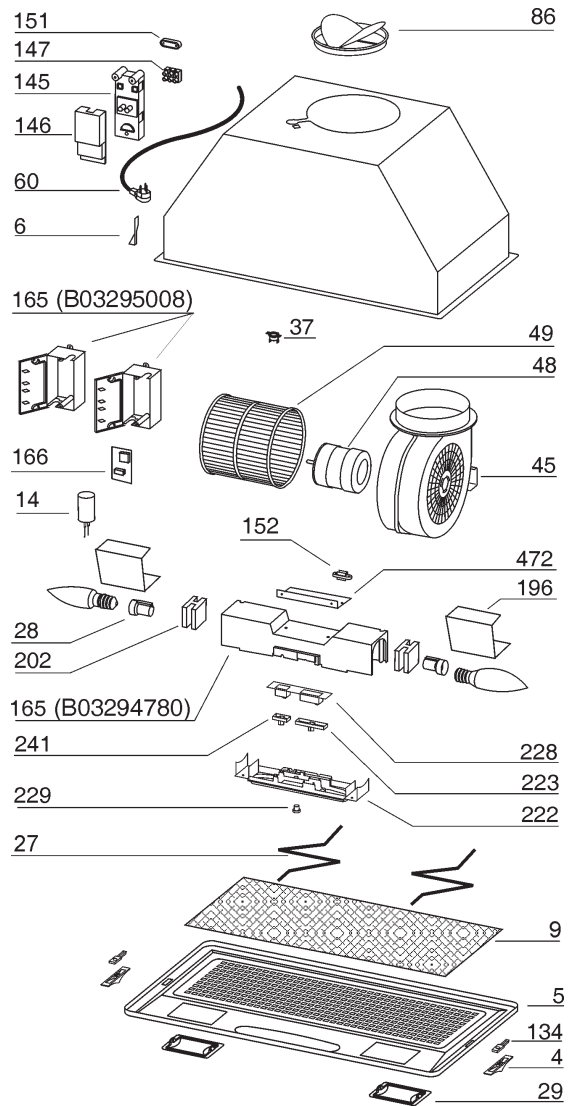
Pour changer les ampoules:

1. Ôtez la grille en enlevant les 2 attaches latérales (A).
2. Remplacez par des ampoules de même type (MAX 40W, 120V, Ampoules Culot).

ATTENTION: L'AMPOULE PEUT ÊTRE CHAUDE.

LISTE PIECES DE RECHANGE

N.	PART N.	DESCRIPTION
4	B03295038	Arrêt de grille
5	B03127682	Grille
6	B02011013	Ressort
9	B08087922	Filtre à graisse
14	B02300233	Condensateur
27	B02011155	Fil métallique
28	B02300280	Porte-ampoule
29	B03293051	Plafonnier
37	B02300787	Capteur
45	BW0000043	Convoyeur
48	B02310203	Moteur
49	B03295076	Turbine
60	B02300249	Cable alimentation
86	B08088378	Clapêt
134	B03295039	Arrêt
145	B032920170	Boîte électrique
146	B032920180	Couvercle boîte électrique
147	BR2300132	Borne
151	B032920200	Serre cable
152	B03292200	Serre cable
165	B03294780	Boîte commandes
165	B03295008	Boîte condensateur
166	B08086668	Circuite capteur
196	BE3348672	Reflecteur
202	B03294779	Serre cable
222	B03295040	Couvercle boîte commandes
223	B03295042	Interrupteur moteur
228	B08086285	Circuite commandes
229	B03201014	Voyant lumineux
241	B03295041	Interrupteur lumière
472	BE3344843	Etrier commandes
998	B080810782	Accessoires de quincaillerie
CAS	B06002125	ensemble moteur (Comprenant N. 45, 48, 49)
AQI	B06108860	Ensemble commandes (Comprenant N. 165, 228, 28, 222, 152, 241, 223, 202, 229)
-	-	"Culot 40 Watt Max. Ampoules non comprises"
-	B08999040	Kit pour modèles recyclant l'air (peut être acheté separemment)



GARANTIE

GARANTIE LIMITÉE DE UN AN DE NUTONE

Broan-NuTone LLC (Broan-NuTone) garantit à l'acheteur original que les produits NuTone vendus en vertu de la présente sont libres de tout vice de matériau ou de fabrication pour une période de un an à compter de la date d'achat originale. CETTE GARANTIE NE COMPORTE AUCUNE AUTRE GARANTIE, EXPRESSE OU TACITE, Y COMPRIS, MAIS SANS S'Y LIMITER, LES GARANTIES TACITES DE VALEUR MARCHANDE OU D'ADAPTATION À UN USAGE PARTICULIER.

Durant cette période de un an, Broan-NuTone réparera ou remplacera gratuitement, à sa discrétion, tout produit ou toute pièce jugés défectueux dans des conditions normales d'utilisation.

CETTE GARANTIE NE S'APPLIQUE PAS AUX TUBES FLUORESCENTS ET AUX STARTERS, NI AUX AMPOULES HALOGÈNES OU INCANDESCENTES, FUSIBLE, FILTRES, CONDUITES, CHAPEAUX DE TOIT, CHAPEAUX DE MUR ET AUTRES ACCESSOIRES POUR CANALISATIONS. Cette garantie ne couvre pas (a) les frais d'entretien ou de service normaux ni (b) tout produit ou toute pièce soumis à une utilisation inadéquate, une négligence, un accident, un entretien ou une réparation inadéquats (autres que ceux effectués par Broan-NuTone), une mauvaise installation ou une installation contraire aux instructions recommandées.

La durée de toute garantie tacite est limitée à la période de un an stipulée pour la garantie expresse. Certains États ou provinces ne permettent pas de limites quant à la durée d'une garantie implicite. La restriction susmentionnée peut donc ne pas s'appliquer dans votre cas.

BROAN-NUTONE'S L'OBLIGATION POUR BROAN-NUTONE DE RÉPARER OU DE REMPLACER LE PRODUIT, À SA DISCRÉTION, CONSTITUE LE SEUL RECOURS DE L'ACHETEUR EN VERTU DE CETTE GARANTIE. BROAN-NUTONE NE PEUT PAS ÊTRE TENUE RESPONSABLE DE TOUT DOMMAGE INDIRECT, CONSÉCUTIF OU ACCESSOIRE DÉCOULANT DE L'UTILISATION OU DU RENDEMENT DU PRODUIT. Certains États ou provinces interdisent l'exclusion ou la restriction des dommages indirects ou consécutifs. La restriction susmentionnée peut donc ne pas s'appliquer dans votre cas.

La présente garantie vous confère des droits spécifiques reconnus par la loi. D'autres droits pourraient également vous être accordés selon la législation locale en vigueur. La présente garantie remplace toutes les autres garanties précédentes.

Pour le service sous garantie, vous devez (a) aviser Broan-NuTone à l'une des adresses ou numéros de téléphone mentionnés ci-dessous, (b) indiquer le numéro de modèle et d'identification de la pièce et (c) décrire la défectuosité du produit ou de la pièce. Lors d'une réclamation, vous devez présenter une preuve de la date d'achat originale.

In USA - NuTone®, 926 W. State Street, Hartford, WI 53027 (800-558-1711)

In Canada - NuTone®, 550 Lemire Blvd., Drummondville, QC J2C 7W9 (866-737-7770)

www.nutone.com