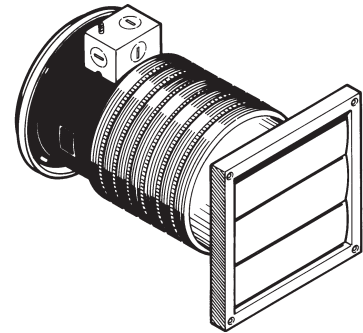


# MODEL 512M THRU-THE-WALL VENTILATOR



**Economy, versatility & performance in a thru-the-wall ventilator.**

### FEATURES

#### INTERIOR GRILLE:

- White polymeric - complements any decor
- Spin-on installation

#### MOTOR:

- Plug-in, thermally protected, permanently lubricated
- Quiet, durable polymeric blade
- Motor assy. features fast, easy "twist-lock" installation

#### HOUSING:

- Galvanized steel housing
- Can be installed in outside walls from 5¼" to 10" thick (walls less than 6" thick will not use the 6" dia. flexible duct)
- Use with Model SC100W Electronic Variable Speed Control - 3 amp

#### EXTERIOR WALL CAP:

- Louvered white polymeric material
- Integral birdscreen
- 6" dia. flexible ducting included

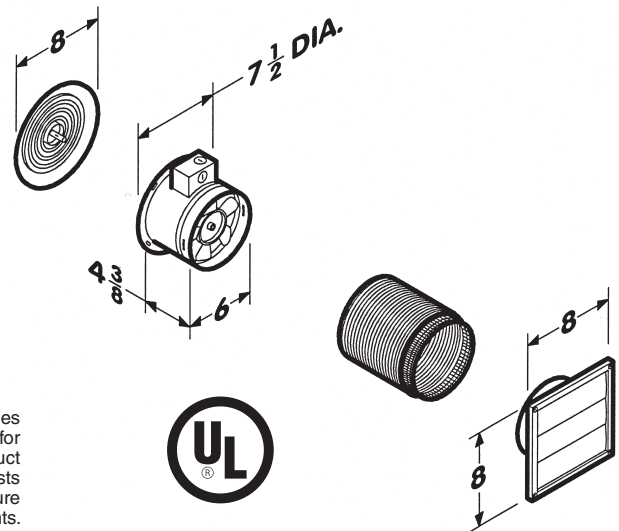
Can be used to ventilate excess heat and humidity from single family, residential garages.

### SPECIFICATIONS

VOLTS	AMPS	RPM	SONES	CFM
120/127	.40	2660	6.0	70



HVI-2100 CERTIFIED RATINGS comply with new testing technologies and procedures prescribed by the Home Ventilating Institute, for off-the-shelf products, as they are available to consumers. Product performance is rated at .03 in. static pressure, based on tests conducted in a state-of-the-art test laboratory. Sones are a measure of humanly-perceived loudness, based on laboratory measurements.



### TYPICAL SPECIFICATION

Ventilator shall be Broan Model 512M.

Unit shall be installed in an exterior wall - NOT through a fire-rated wall. Unit shall be controlled with a wall switch (speed control).

Ventilator shall be galvanized steel housing finished.

Motor assembly shall be removable and permanently lubricated. RPM not to exceed 2600.

Air delivery shall be no less than 70 CFM and sound level no greater than 6.0 Sones. All air and sound ratings shall be certified by HVI. Unit shall be U.L. listed.

Broan Hartford, Wisconsin 53027 www.broan-nutone.com 1-800-558-1711

REFERENCE	QTY.	REMARKS	Project
			Location
			Architect
			Engineer
			Contractor
			Submitted by
			Date