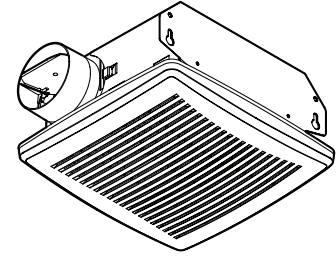


MODELS E050, E070 CEILING / WALL FAN



Versatile, high quality ventilators at economy prices.

FEATURES

GRILLE:

- White polymeric - blends well with any decor
- Torsion spring grille mounting - no tools required
- Metal grille kit available - purchase separately

MOTOR:

- Plug-in, permanently lubricated
- Broan-designed polymeric blower wheel
- Snap in/out motor assembly for easy cleaning - no screws to drive or drop

HOUSING:

- Compact, 25-gauge galvanized steel - attaches easily to wall or ceiling joists
- Double strength mounting flanges with keyhole slots
- Removable wiring cover - make connections away from tight corners
- No electrical knockout to remove
- Polymeric duct fitting with tapered sleeve for easy, positive duct connection
- Quiet polymeric damper prevents cold backdrafts - no metallic clatter
- cUL Listed for use over bathtubs and showers when connected to a GFCI protected branch circuit

CONTROLS DESIGNED FOR USE WITH THESE PRODUCTS (purchase separately):

- Model 57V (Ivory) / 57W (White) Electronic Variable Speed Control - 3 amp
- Model 59V (Ivory) / 59W (White) 60-Minute Time Control
- Model 69V (Ivory) / 69W (White) Single Function Control

MODEL 1667H: Rough-in housing for Models E050 and E070 finish assemblies (packed 6 per carton).

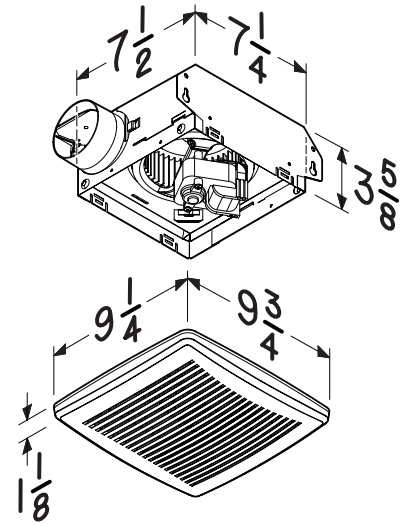
TYPICAL SPECIFICATION

Ventilator shall be Broan Model E050 (E070).

Ventilator shall have galvanized steel housing with double-strength mounting flanges. It shall be ducted vertically (horizontally) to a roof cap (wall cap).

Motor assembly shall be removable and permanently lubricated.

Air delivery shall be no less than 50 cfm and sound level no greater than 2.5 Sones (E050), 70 cfm and 4.0 Sones (E070). All air and sound ratings shall be certified by HVI. Unit shall be U.L. Listed.



SPECIFICATIONS

MODEL	VOLTS	AMPS	SONES	CFM	DUCT
E050	120	1.1	2.5	50	3" Round
E070	120	1.5	4.0	70	3" Round



HVI-2100 CERTIFIED RATINGS comply with new testing technologies and procedures prescribed by the Home Ventilating Institute, for off-the-shelf products, as they are available to consumers. Product performance is rated at 0.1 in. static pressure, based on tests conducted in a state-of-the-art test laboratory. Sones are a measure of humanly-perceived loudness, based on laboratory measurements.

Broan Hartford, Wisconsin www.broan.com 800-558-1711

REFERENCE	QTY.	REMARKS	Project
			Location
			Architect
			Engineer
			Contractor
			Submitted by Date