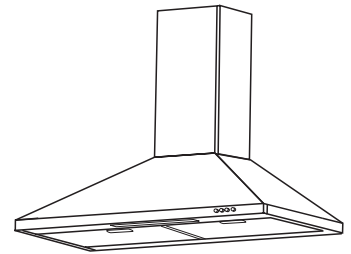


### NS58000 SERIES RANGE HOOD



Timeless design that has become the icon of European style.

#### FEATURES

- Wall mount
- Finish: 430 Stainless Steel #4 Brushed
- Width: 29-1/2"
- Telescopic flue accommodates 8' to 9' ceilings
- 6" round duct connector/backdraft damper
- Convertible to non-ducted operation (non-ducted components included with hood)
- Incandescent task lighting (2 x 40 watt, 120V, Type B10) (bulbs included)
- Three-speed electronic push-button control with blue backlighting
- 10-minute delay-off
- Single centrifugal blower
- Dishwasher-safe filters feature a quick-release latch
- Cord-connected
- For indoor use only

#### OPTIONS

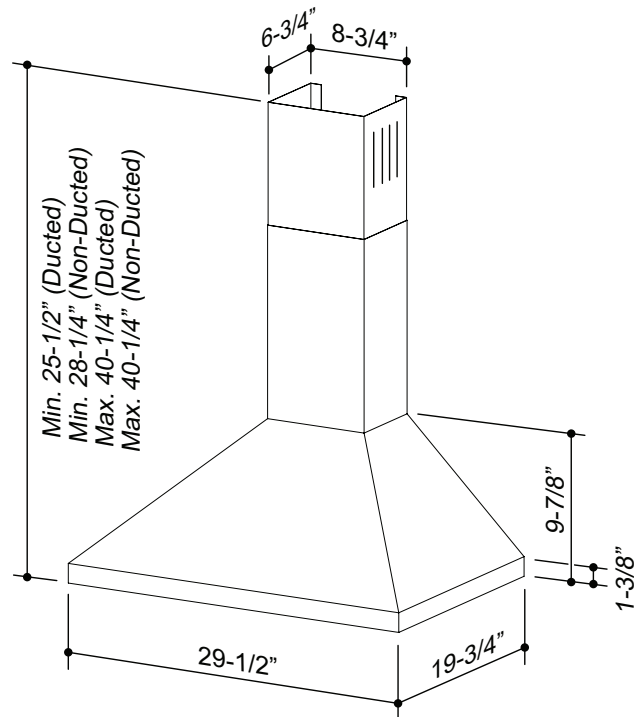
- Replacement grease filters available (S99528311)
- Replacement charcoal filters available (Model ROUNDFILTER)

#### SPECIFICATIONS

VOLTS	HZ	AMPS	CFM		SONES		DUCT
			MAX.	NORM.	MAX.	NORM.	
120	60	3.6	350	190	8.5	2.5	6" round



HVI-2100 CERTIFIED RATINGS comply with new testing technologies and procedures prescribed by the Home Ventilating Institute, for off-the-shelf products, as they are available to consumers. Product performance is rated at 0.1 in. static pressure, based on tests conducted in a state-of-the-art test laboratory. Sones are a measure of humanly-perceived loudness, based on laboratory measurements.

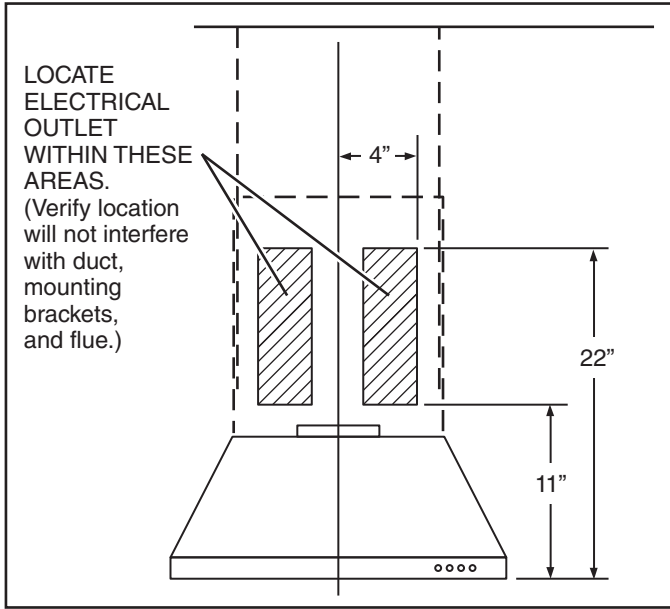


Mount range hood so bottom of hood is 24" minimum above cooking surface.

Broan-NuTone LLC Hartford, Wisconsin www.nutone.com 888-336-3948

REFERENCE	QTY.	REMARKS	Project
			Location
			Architect
			Engineer
			Contractor
			Submitted by Date

# NS58000 SERIES WIRING



## 1. GROUNDING INSTRUCTIONS

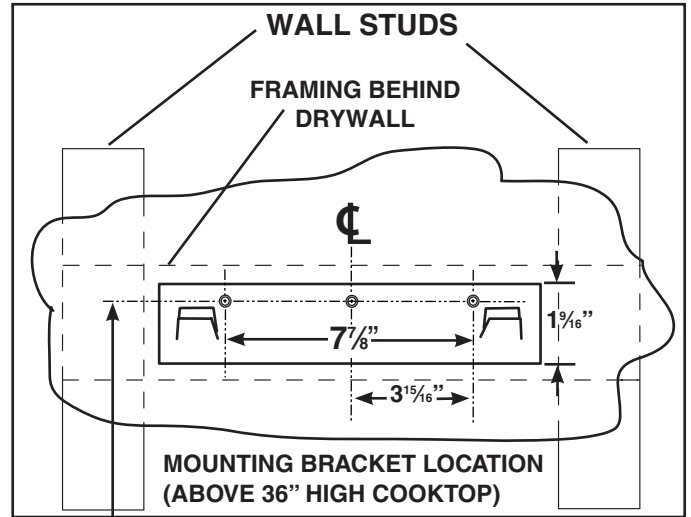
This appliance must be grounded. In the event of an electrical short circuit, grounding reduces the risk of electric shock by providing an escape wire for the electric current. This appliance is equipped with a cord having a grounding wire with a grounding plug. The plug must be plugged into an outlet that is properly installed and grounded.

### NOTE:

A recessed "clock" outlet is recommended.

2. Position the electrical outlet within the space covered by the decorative flue and where it will not interfere with the round duct. Make sure the outlet does not interfere with the mounting bracket fastening area, ductwork, or where the decorative flue touches the wall.

# NS58000 SERIES MOUNTING



34 5/8" = bottom of hood 24" above cooktop

1. Construct wood wall framing that is flush with interior surface of wall studs. Make sure:
  - a) the framing is centered over installation location.
  - b) the height of the framing will allow the mounting bracket to be secured to the framing within the dimensions shown.
2. After wall surface is finished, carefully center and level the hood mounting bracket and secure it to wall framing with (3) #8 x 1-1/2" mounting screws. Tighten the screws completely. NOTE: Do not use drywall anchors.

CEILING HEIGHT	DUCT METHOD	HOOD DISTANCE ABOVE 36" COOK TOP (SEE NOTE 1)													
		24"	25"	26"	27"	28"	29"	30"	31"	32"	33"	34"	35"	36"	
		MOUNTING BRACKET LOCATION ABOVE 36" HIGH COOK TOP													
8 FEET	DUCTED	34-5/8"	35-5/8"	36-5/8"	37-5/8"	38-5/8"	39-5/8"	40-5/8"	41-5/8"	42-5/8"	43-5/8"	44-5/8"	---	---	
	NONDUCTED	34-5/8"	35-5/8"	36-5/8"	37-5/8"	38-5/8"	39-5/8"	40-5/8"	41-5/8"	---	---	---	---	---	
9 FEET	DUCTED	---	---	---	---	---	---	---	---	42-5/8"	43-5/8"	44-5/8"	45-5/8"	46-5/8"	
	NONDUCTED	---	---	---	---	---	---	---	---	42-5/8"	43-5/8"	44-5/8"	45-5/8"	46-5/8"	

### NOTES:

1. Minimum hood distance above cooktop must not be less than 24". Distances over 36" above the cooktop are at the installer's and user's discretion - providing that ceiling height and flue length permit.