

## Bulb Heaters & Bulb Heater/Fans

MODELS: 9412D (Not Type IC), 9417DN (Type IC), 9422P (Type IC), 9427P (Type IC)

### IMPORTANT INSTRUCTIONS

#### READ ALL INSTRUCTIONS BEFORE INSTALLING OR USING THIS HEATER.

To reduce the risk of fire, electric shock, or injury to persons, observe the following:

1. Use this unit only in the manner intended by the manufacturer. If you have questions, contact the manufacturer at the address or telephone number listed in the warranty.
2. Before servicing or cleaning unit, switch power off at service panel and lock the service disconnecting means to prevent power from being switched on accidentally. When the service disconnecting means cannot be locked, securely fasten a prominent warning device, such as a tag, to the service panel.
3. Installation work and electrical wiring must be done by a qualified person(s) in accordance with all applicable codes and standards, including fire-rated construction codes and standards.
4. When cutting or drilling into wall or ceiling, do not damage electrical wiring and other hidden utilities.
5. This heater is hot when in use. To avoid burns, do not let bare skin touch hot surfaces. Keep combustible materials, such as furniture, pillows, bedding, papers, clothes, etc. and curtains at least 3 feet (0.9 m) from the front of the heater.
6. Extreme caution is necessary when any heater is used by or near children or invalids and whenever the heater is left operating and unattended.
7. Do not operate any heater after it malfunctions. Disconnect power at service panel and have heater inspected by a reputable electrician before reusing.
8. Do not use outdoors.
9. To disconnect heater, turn controls to off, and turn off power to heater circuit at main disconnect panel (or operate internal disconnect switch, if provided).
10. Do not insert or allow foreign objects to enter any ventilation or exhaust opening, as this may cause an electric shock or fire, or damage the heater.
11. To prevent a possible fire, do not block air intakes or exhaust in any manner.
12. A heater has hot and arcing or sparking parts inside. Do not use it in areas where gasoline, paint, or flammable vapors or liquids are used or stored.
13. Use this heater only as described in this manual. Any other use not recommended by the manufacturer may cause fire, electric shock, or injury to persons.
14. This product must be grounded.
15. Do not install heater in a tub or shower enclosure.
16. This product is designed for installation in flat ceilings only. **DO NOT MOUNT THIS PRODUCT IN A WALL.**
17. Install heater in flat ceiling only - at least 6 inches from any wall.
18. Do not connect heater to dimmer switch or speed control.

#### SAVE THESE INSTRUCTIONS

### PLANNING

Choose the location for your heater. Refer to IMPORTANT INSTRUCTIONS.

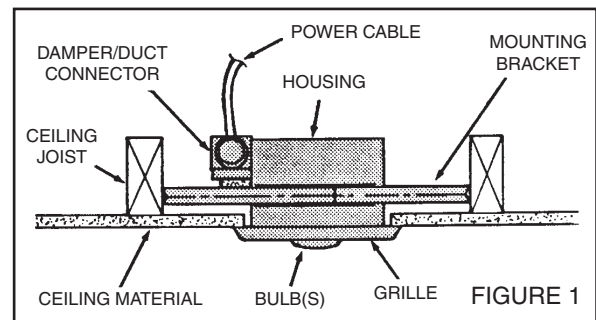
**MODELS 9417DN & 9427P ONLY** – The unit will operate most efficiently when located where the shortest possible duct run and minimum number of elbows will be needed. Units are designed for use with standard 4" round duct.

Note that two-bulb units (9422P & 9427P) can be fitted with one infrared bulb (for heat) and one reflector bulb (for light). Dual or multi-controls can be used for separate control of bulbs and/or exhaust fan. Purchase controls separately.

#### Refer to FIGURE 1

Follow these basic steps when installing this unit:

1. Nail unit to joists.
2. Attach ductwork (Models 9417DN or 9427P only).
3. Connect power cable.
4. Fasten grille to housing.



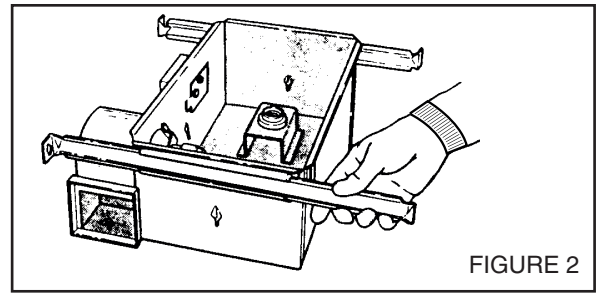
# PREPARATION

---

1. Remove the unit from carton. Save carton for use as plaster shield in rough-in installations.

**Refer to FIGURE 2**

2. Slide adjustable mounting brackets into bracket channels on housing.



# INSTALLATION

**WARNING:** To reduce the risk of fire, do not store or use gasoline or other flammable vapors and liquids in the vicinity of the heater.

**CAUTION:** High temperature, risk of fire, keep electrical cords, drapery, furnishings, and other combustibles at least 3 feet (0.9 m) from the front of the heater and away from the side and rear.

Refer to **FIGURE 3**

1. Position unit between joists and extend mounting brackets.
2. Nail brackets firmly to joists. Bottom of brackets should be positioned flush with joist bottom.

Refer to **FIGURE 4**

3. Brackets are factory-set for ½" thick ceiling material. For thicker ceilings, loosen 4 vertical adjusting screws and lower housing to appropriate thickness on gauges. Tighten vertical adjusting screws firmly.

## ATTACH DUCTWORK (MODELS 9417DN & 9427P ONLY)

Refer to **FIGURE 4**

1. Snap the damper/duct connector onto housing. Make sure that tabs on the connector lock in housing slots and that gravity closes damper.
2. Attach 4" round duct to damper/duct connector and run ductwork to the outside through a roof or wall cap. Check damper to make sure it opens freely. Tape all joints to make them secure and air tight.

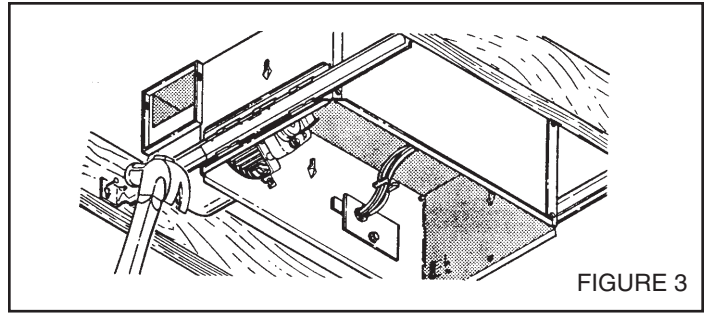


FIGURE 3

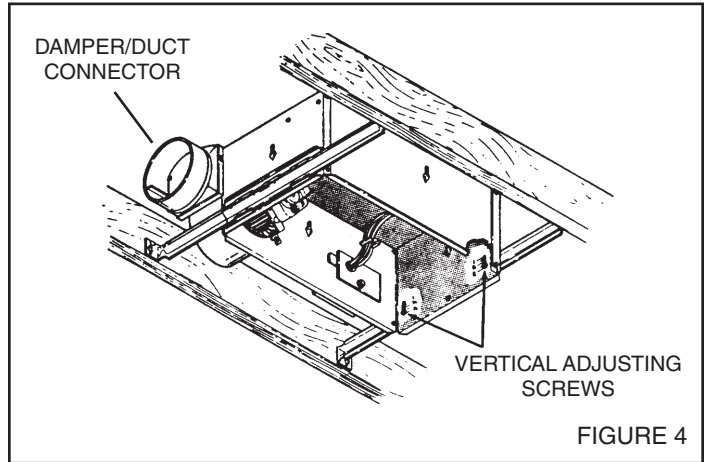


FIGURE 4

# WIRE THE HEATER

## Refer to FIGURE 5

1. Remove wiring box from side of housing. Remove knockout(s) and connect power cable(s) to wiring box using proper U.L. approved connector.

## Refer to FIGURE 6 (on page 3)

2. Wire unit as indicated in appropriate diagram. Push all wiring into wiring box and replace wiring box onto housing.

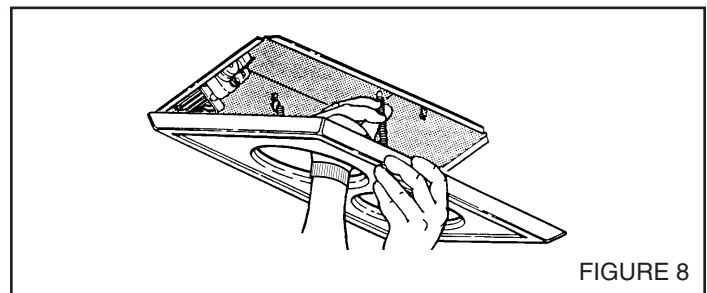
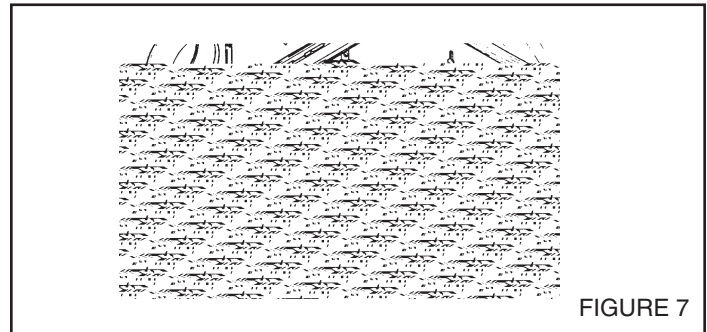
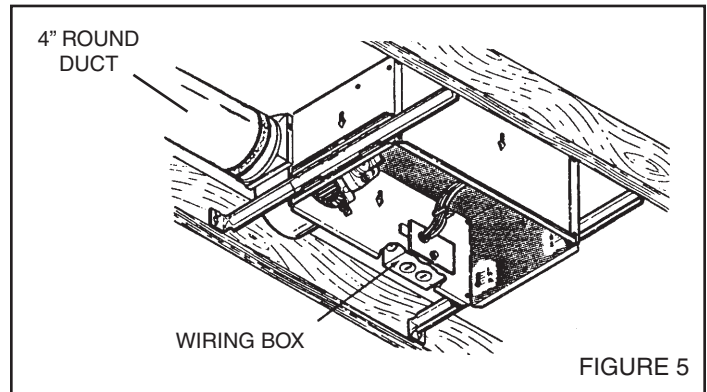
# FINAL ASSEMBLY

## Refer to FIGURE 7

1. Protect motor, bulb sockets and wiring from construction dust, drywall spray, paint, etc. by using the plaster shield. Cut it from the carton and follow directions printed on it.
2. Finish all ceiling work as necessary.
3. Remove plaster shield and check if bottom of housing is flush with finished ceiling. If not, loosen vertical adjusting screws, reposition housing, and retighten screws.

## Refer to FIGURE 8

4. Attach grille by hooking springs onto clips on side of housing.
5. Install BR40 or R40-size 250W infrared bulb(s). Center grille around bulb(s).



# OPERATION

---

Before using heater, make sure heater has been properly installed according to installation steps beginning with the "PLANNING" section on page 1.

**MODELS 9417DN & 9427P OPERATION NOTE:** These units are designed with a thermostat which senses excess heat and may start the blower automatically. This is normal and is no cause for concern.

# MAINTENANCE

---

The following maintenance and cleaning tasks can be performed by the user. All other servicing must be performed by an authorized technician. If you have any questions, please consult with our customer service department at: 800-558-1711.

## **LUBRICATION**

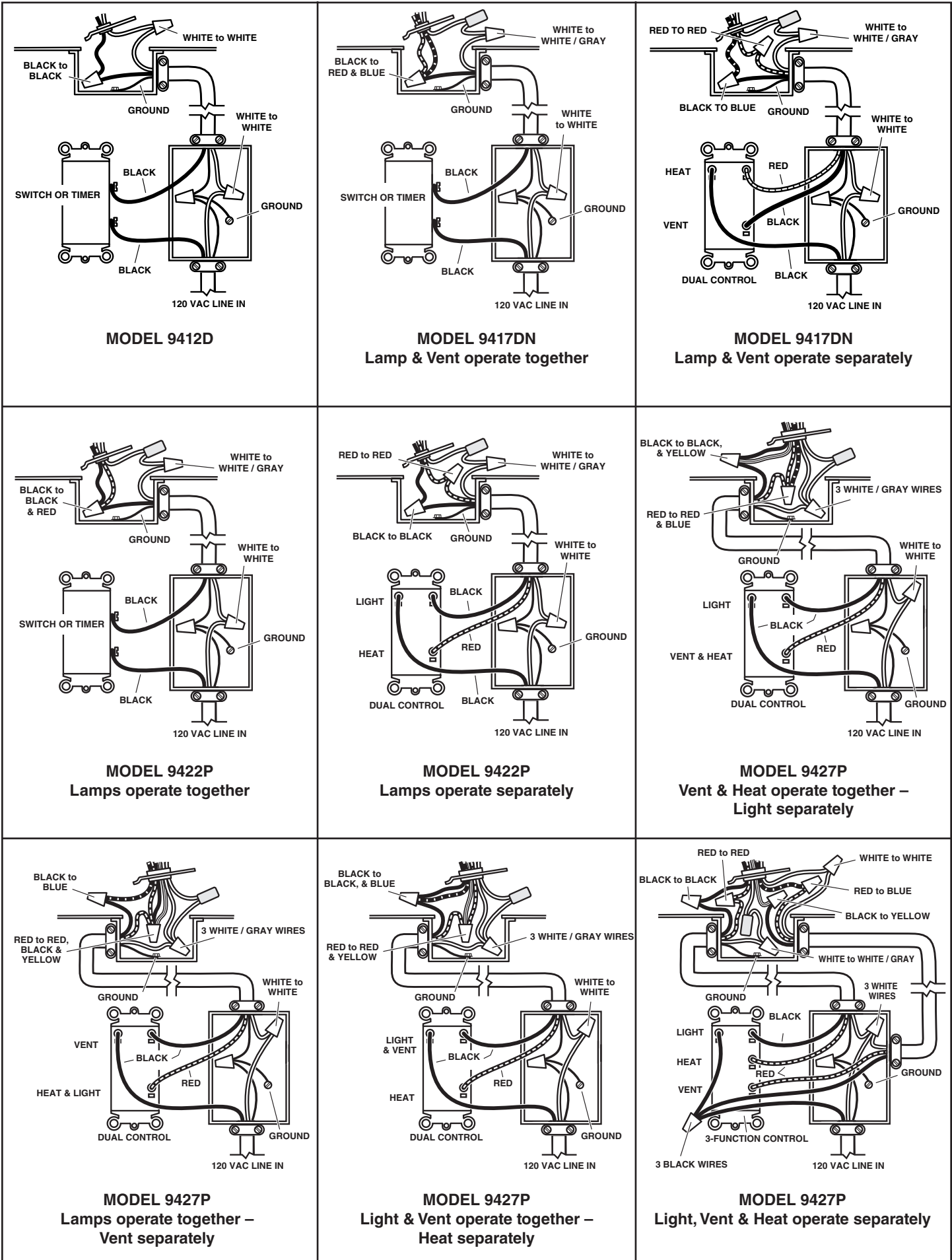
The heater is permanently lubricated and never needs oiling or disassembly.

## **CLEANING**

Clean heater once a month as follows:

1. Turn off power at service panel.
2. Make sure bulbs are cool.
3. Use a soft brush attachment to gently vacuum grille openings or wipe grille clean with a soft cloth.
4. Restore power.

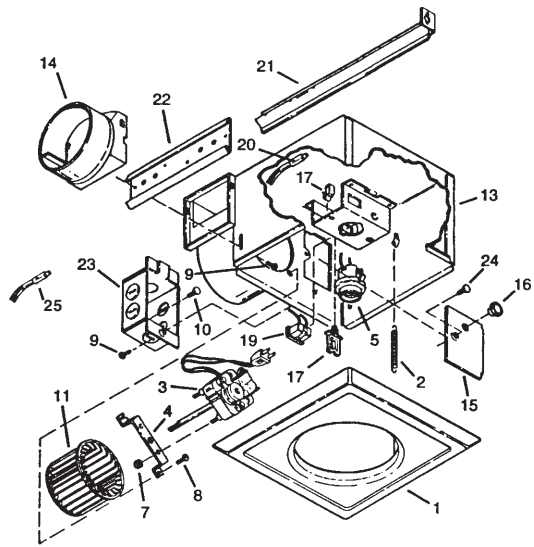
**CAUTION: METAL AND ELECTRICAL PARTS SHOULD NEVER BE IMMERSSED IN WATER.**



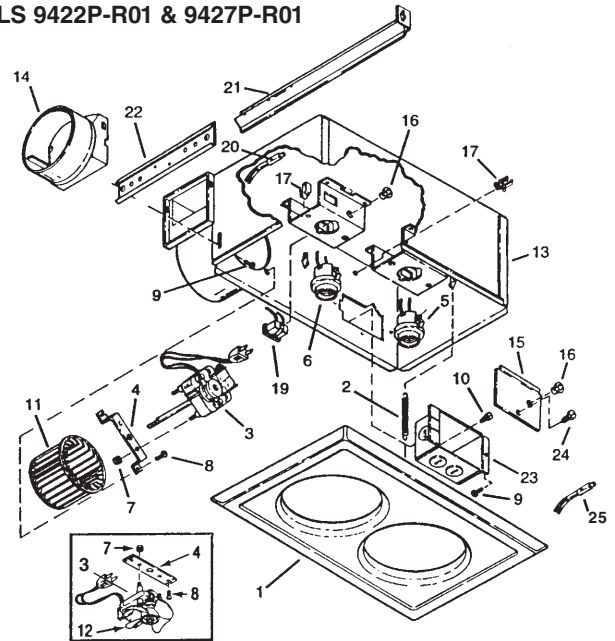
# PARTS LIST

| REF. | 9412D-R01<br>PART NO. | 9417DN-R01<br>PART NO. | 9422P-R01<br>PART NO. | 9427P-R01<br>PART NO. | DESCRIPTION  |
|------|-----------------------|------------------------|-----------------------|-----------------------|--|
| 1    | 97010319              | 97010319               | 97010320              | 97010320              | Grille Assembly (Includes Ref. No. 2)                        |
| 2    | 06170-00              | 06170-00               | 06170-00              | 06170-00              | Grille Spring (2 Req.)                                       |
| 3    | ----                  | 97010254               | 97009724              | 97010254              | Motor  |
| 4    | ----                  | 98007352               | 98007426              | 98007352              | Motor Mounting Bracket                                       |
| 5    | 99770034              | 99770034               | 99770034              | 99770034              | Bulb Holder  |
| 6    | ----                  | ----                   | 99770037              | 99770037              | Bulb Holder  |
| 7    | ----                  | 99260423               | 99260423              | 99260423              | Nut, #8-32 (2 Req.)*   |
| 8    | ----                  | 99160360               | 99160360              | 99160360              | Screw, #8-32 x 1/2 (2 Req.)*                                 |
| 9    | 99150545              | 99150545               | 99150545              | 99150545              | Sheet Metal Screw #8-18 x 3/8 (5 Req.) (7 Req. – 9412D-R01)* |
| 10   | 99150546              | 99150546               | 99150546              | 99150546              | Ground Screw #8-18 x 3/8                                     |
| 11   | ----                  | 97010255               | ----                  | 97010255              | Blower Wheel   |
| 12   | ----                  | ----                   | 97009762              | ----                  | Fan Blade  |
| 13   | 97009475              | 97009476               | 97009477              | 97009478              | Housing (Includes Ref. Nos. 9 & 23)                          |
| 14   | ----                  | 97009595               | ----                  | 97009595              | Damper/Duct Connector  |
| 15   | 25067-00              | 20050-09               | 20050-09              | 20050-09              | Wiring Box Cover   |
| 16   | 99400026              | 99400026               | 99400026              | 99400026              | Bushing (2 Req. – 9422P-R01 & 9427P-R01)                     |
| 17   | 99270830              | 99270830               | 99270830              | 99270830              | Wire Clip  |
| 19   | ----                  | 99270835               | 99270835              | 99270835              | Receptacle   |
| 20   | ----                  | 99270832               | ----                  | 99270832              | Thermostat (Fan)   |
| 21   | 98003036              | 98003036               | 98003036              | 98003036              | Mounting Bracket (4 Req.)                                    |
| 22   | 98007763              | 98007763               | 98007763              | 98007763              | Bracket Channel (2 Req.)                                     |
| 23   | 25064-00              | 25064-00               | 25064-00              | 25064-00              | Wiring Box   |
| 24   | 99150564              | 99150564               | 99150564              | 99150564              | Screw, #8-18 x 1/2*  |
| 25   | ----                  | 79270237               | 79270237              | 79270237              | Thermostat (Lamps)   |
| **   | ----                  | ----                   | 99270668              | 99270668              | Crimp Connector (2 Req. – 9422P-R01) (3 Req. – 9427P-R01)    |

## MODELS 9412D-R01 & 9417DN-R01



## MODELS 9422P-R01 & 9427P-R01



MODEL 9422P-R01 ONLY

## WARRANTY

### BROAN-NUTONE ONE YEAR LIMITED WARRANTY

Broan-NuTone warrants to the original consumer purchaser of its products that such products will be free from defects in materials or workmanship for a period of one year from the date of original purchase. THERE ARE NO OTHER WARRANTIES, EXPRESS OR IMPLIED, INCLUDING, BUT NOT LIMITED TO, IMPLIED WARRANTIES OF MERCHANTABILITY OR FITNESS FOR A PARTICULAR PURPOSE.

During this one-year period, Broan-NuTone will, at its option, repair or replace, without charge, any product or part which is found to be defective under normal use and service.

THIS WARRANTY DOES NOT EXTEND TO FLUORESCENT LAMP STARTERS, TUBES, HALOGEN AND INCANDESCENT BULBS, FUSES, FILTERS, DUCTS, ROOF CAPS, WALL CAPS AND OTHER ACCESSORIES FOR DUCTING. This warranty does not cover (a) normal maintenance and service or (b) any products or parts which have been subject to misuse, negligence, accident, improper maintenance or repair (other than by Broan-NuTone), faulty installation or installation contrary to recommended installation instructions.

The duration of any implied warranty is limited to the one-year period as specified for the express warranty. Some states do not allow limitation on how long an implied warranty lasts, so the above limitation may not apply to you.

BROAN-NUTONE'S OBLIGATION TO REPAIR OR REPLACE, AT BROAN-NUTONE'S OPTION, SHALL BE THE PURCHASER'S SOLE AND EXCLUSIVE REMEDY UNDER THIS WARRANTY. BROAN-NUTONE SHALL NOT BE LIABLE FOR INCIDENTAL, CONSEQUENTIAL OR SPECIAL DAMAGES ARISING OUT OF OR IN CONNECTION WITH PRODUCT USE OR PERFORMANCE. Some states do not allow the exclusion or limitation of incidental or consequential damages, so the above limitation or exclusion may not apply to you.

This warranty gives you specific legal rights, and you may also have other rights, which vary from state to state. This warranty supersedes all prior warranties.

To qualify for warranty service, you must (a) notify Broan-NuTone at the address or telephone number below, (b) give the model number and part identification and (c) describe the nature of any defect in the product or part. At the time of requesting warranty service, you must present evidence of the original purchase date.

Broan-NuTone LLC, 926 W. State Street, Hartford, Wisconsin 53027 www.broan-nutone.com 888-336-3948



## Calentador de Bombilla y Calentador de Bombilla/Ventiladores

MODELOS: 9412D (No el Tipo IC), 9417DN (Tipo IC), 9422P (Tipo IC), 9427P (Tipo IC)

### INSTRUCCIONES IMPORTANTES

#### LEA TODAS LAS INSTRUCCIONES ANTES DE INSTALAR O USAR ESTE CALENTADOR.

Para reducir el riesgo de incendios, descargas eléctricas o lesiones personales, observe las siguientes precauciones:

1. Use la unidad solo de la manera indicada por el fabricante. Si tiene preguntas, comuníquese con el fabricante a la dirección o al número telefónico que se incluye en la garantía.
2. Antes de dar servicio a la unidad o de limpiarla, interrumpa el suministro eléctrico en el panel de servicio y bloquee los medios de desconexión del servicio para evitar que la electricidad se reanude accidentalmente. Cuando no sea posible bloquear los medios de desconexión del servicio, fije firmemente una señal de advertencia (como una etiqueta) en un lugar visible del panel de servicio.
3. El trabajo de instalación y el cableado eléctrico deben estar a cargo de personal capacitado, de acuerdo con todos los códigos y normas correspondientes, incluidos los códigos y normas de construcción específicos sobre protección contra incendios.
4. Al cortar o perforar a través de la pared o del cielo raso, tenga cuidado de no dañar el cableado eléctrico ni otros servicios ocultos.
5. Este calentador se calienta cuando se usa. Para evitar quemaduras, no deje que la piel desnuda toque las superficies calientes. Mantenga materiales combustibles como muebles, almohadas, ropa de cama, papeles, ropa, etc., así como las cortinas, por lo menos a 3 pies (0.9 m) de la parte delantera del calentador.
6. Es necesario tener extremo cuidado cuando se use un calentador cerca de niños o personas inválidas, y siempre que el calentador se deje funcionando y sin atención.
7. No haga funcionar ningún calentador después de que presente una falla. Desconecte la energía eléctrica en el panel de servicio y pida que un electricista acreditado inspeccione el calentador antes de volverlo a usar.
8. No lo use en exteriores.
9. Para desconectar el calentador, mueva los controles a la posición de apagado y desconecte la energía eléctrica al circuito del calentador en el panel de desconexión principal (o active el interruptor de desconexión interna, si existe).
10. No inserte ni permita que objetos extraños entren en la abertura de ventilación o de escape, pues esto puede ocasionar una descarga eléctrica, un incendio o daños al calentador.
11. Para prevenir un posible incendio, no bloquee la entrada o salida del aire de ninguna manera.
12. El calentador tiene piezas calientes y que pueden generar arcos eléctricos o chispas en el interior. No lo use en áreas donde se use o almacene gasolina, pintura o vapores o líquidos inflamables.
13. Use este calentador solamente como se describe en este manual. Cualquier otro uso no recomendado por el fabricante puede ocasionar un incendio, una descarga eléctrica o lesiones a personas.
14. Este producto debe ser conectado a tierra.
15. No instale esta unidad sobre una bañera o ducha.
16. Este producto se diseña para la instalación en techos hasta una echada de 12/12. Conector de conductor debe señalar hacia arriba. **NO MONTE ESTE PRODUCTO EN UNA TECHO.**
17. Instálelo únicamente en techos, a distancias mínimas de 6 pulg. (15 cm) de cualquier pared.
18. No conecte el calentador a un variador de luz o control de velocidad.

### GUARDE ESTAS INSTRUCCIONES

### PLANIFICACION

Escoja un lugar para su calentador. Lea las instrucciones de "INSTRUCCIONES IMPORTANTES" que aparecen arriba.

**MODELOS 9417DN & 9427P SOLAMENTE** – La unidad funcionará en forma más eficiente si se ubica en un lugar donde se minimice el tendido de conductos y el número de codos. Las unidades han sido diseñadas para uso con conducto redondo estándar de 10 cm.

Note que las unidades de dos bombillas (9422P & 9427P) pueden montarse con una bombilla infrarroja (para la calefacción) y una bombilla reflectora (para la luz). Se pueden usar controles dobles o múltiples para un control separado de las bombillas y/o ventilador extractor de aire. Los controles se compran por separado.

#### Refiera a la FIGURA 1

Al instalar esta unidad, siga los siguientes pasos básicos:

1. Clave la unidad a las vigas.
2. Fije los conductos (modelos 9417DN o 9427P solamente).
3. Conecte el cable de potencia.
4. Fije la rejilla a la caja.

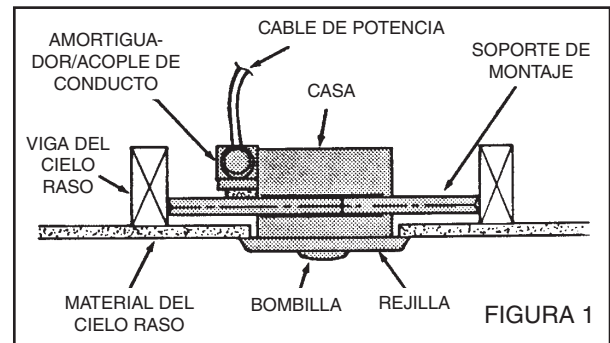


FIGURA 1

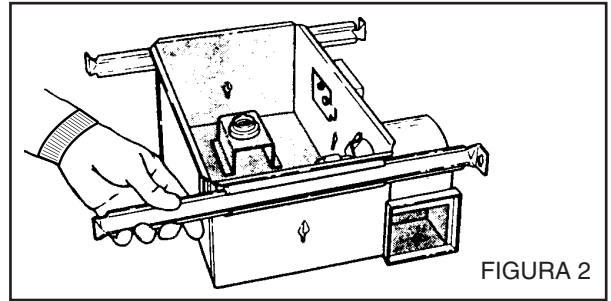
# PREPARACION

---

1. Saque la unidad de la caja de cartón. Guarde la caja de cartón para su uso como escudo de yeso al principio de una instalación.

**Refiera a la FIGURA 2**

2. Meta los soportes de montaje ajustables en los canales de soporte en la caja.



# INSTALACION

**ADVERTENCIA:** Para reducir el riesgo de incendio, no almacene ni use gasolina u otros vapores y líquidos inflamables en las cercanías del calentador.

**PRECAUCIÓN:** Temperatura alta, el riesgo de incendio, mantenga los cables eléctricos, cortinas, muebles y otros materiales combustibles por lo menos 3 pies (0,9 m) del frente del calentador y lejos de la cara y la parte trasera.

Refiera a la FIGURA 3

1. Coloque la unidad entre las vigas y extienda los soportes de montaje.
2. Clave firmemente los soportes en las vigas. Las partes de abajo de los soportes deben colocarse a nivel con la parte de abajo de la viga.

Refiera a la FIGURA 4

3. Los soportes se fijan en fábrica para material de cielo raso de un grosor de 1,3 cm. Para cielo raso más gruesos, afloje 4 tornillos de ajuste vertical y baje la caja al grosor apropiado según los calibradores. Atornille firmemente los tornillos de ajuste vertical.

## FIJE LOS CONDUCTOS (MODELOS 9417DN & 9427P SOLAMENTE)

Refiera a la FIGURA 4

1. Enganche el acople de amortiguador/conducto en la caja. Compruebe que las orejetas en el acople se enganchen en las ranuras de la caja y que el amortiguador cierre por gravedad.
2. Fije el conducto redondo de 10 cm al acople del amortiguador/conducto y saque el tendido de los conductos al exterior a través de una cubierta de cielo raso o pared. Verifique que el amortiguador se abra libremente. Ponga cinta alrededor de todas las uniones para que queden seguras y herméticas.

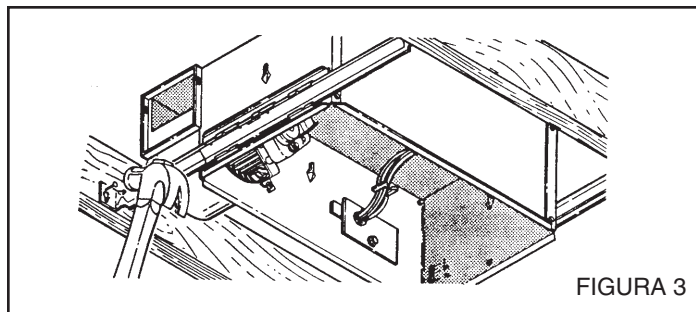


FIGURA 3

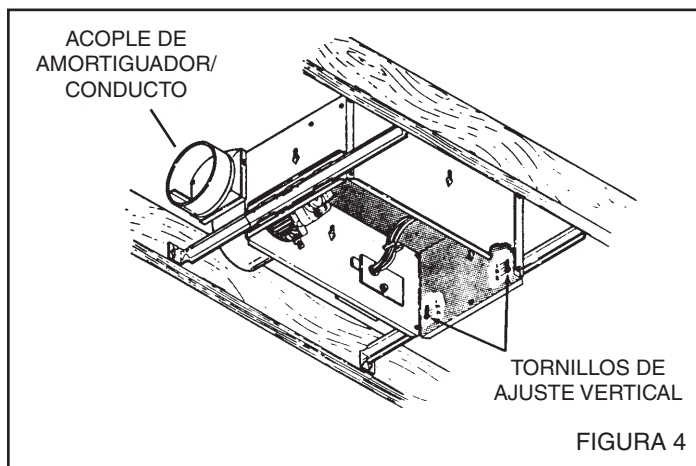


FIGURA 4

# CABLEADO DEL CALENTADOR

El trabajo de instalación y el cableado eléctrico deben estar a cargo de personal capacitado, de acuerdo con todos los códigos y normas correspondientes, incluidos los códigos y normas de construcción específicos sobre protección contra incendios.

Refiera a la FIGURA 5

1. Quite la caja de conexiones del costado de la caja. Saque un disco(s) removible y conecte cable(s) de potencia a la caja de conexiones usando el conector correcto aprobado por U.L.

Refiera a la FIGURA 6 (en página 7)

2. Haga el cableado de la unidad tal como se indica en el diagrama correspondiente. Ponga todas las conexiones en la caja de conexiones y vuelva a colocar ésta en su lugar.

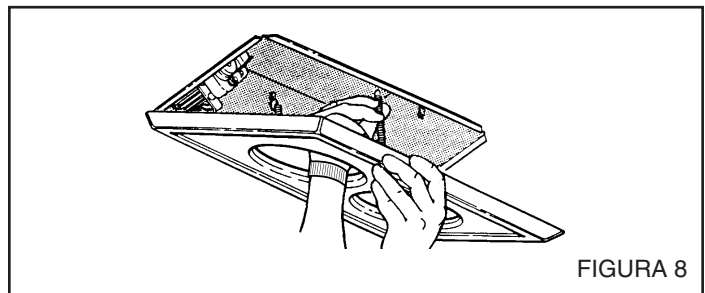
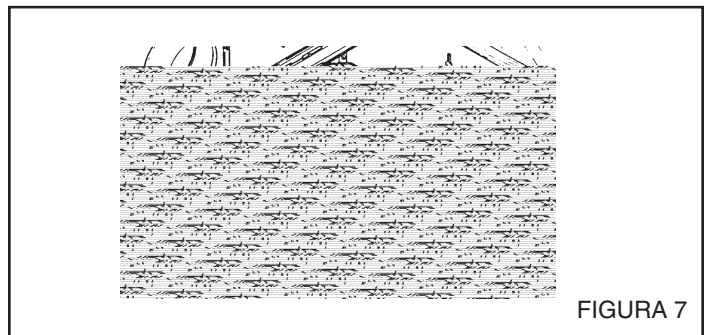
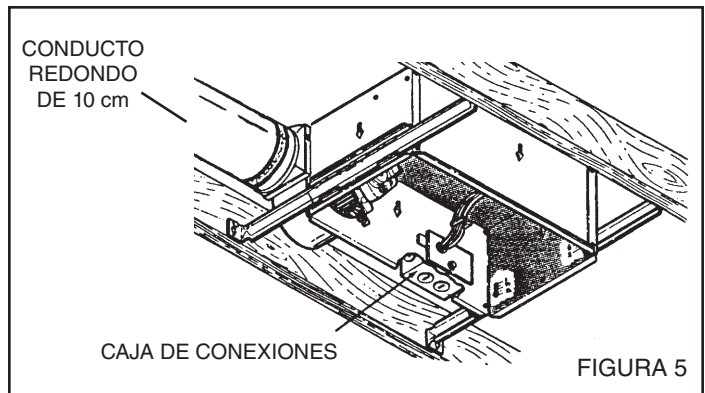
# ENSAMBLADO FINAL

Refiera a la FIGURA 7

1. Proteja el motor, enchufe de la bombilla y cableado contra el polvo de la construcción, rocíos de yeso, pintura, etc., usando el escudo de yeso. Córtelo de la caja de cartón y siga las instrucciones que aparecen impresas en la misma.
2. Termine el trabajo de cielo raso según se necesite.
3. Quite el escudo de yeso y verifique si la parte inferior de la caja está a nivel con el cielo raso terminado. De lo contrario, afloje los tornillos de ajuste vertical, cambie la posición de la caja y vuelva a apretar los tornillos.

Refiera a la FIGURA 8

4. Fije la rejilla engançando los resortes a los sujetadores al costado de la caja.
5. Instale bombilla(s) infrarrojas 250W de tamaño BR40 o R40. Centre la rejilla alrededor de la(s) bombilla(s).



# OPERACIÓN

---

Antes de usar el calentador, asegúrese de que esté instalado adecuadamente, de acuerdo con los pasos de instalación indicados en "PLANIFICACION" en la página 5.

**INSTRUCCIONES SOBRE EL FUNCIONAMIENTO DEL MODELOS 9417DN y 9427P:**  
Estas unidades ha sido diseñada con un termostato que detecta los excesos de calor y puede encender el soplador automáticamente. Esto es normal y no debe ser motivo de preocupación.

# MANTENIMIENTO

---

El usuario puede realizar las siguientes tareas de mantenimiento y limpieza. Todos los demás servicios los debe realizar un técnico autorizado. Si tiene preguntas, consulte a nuestro departamento de servicio al cliente llamando al: 800-558- 1711.

## **LUBRICACIÓN**

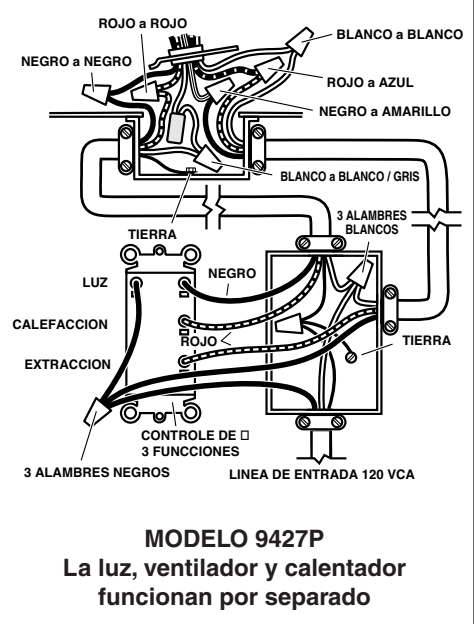
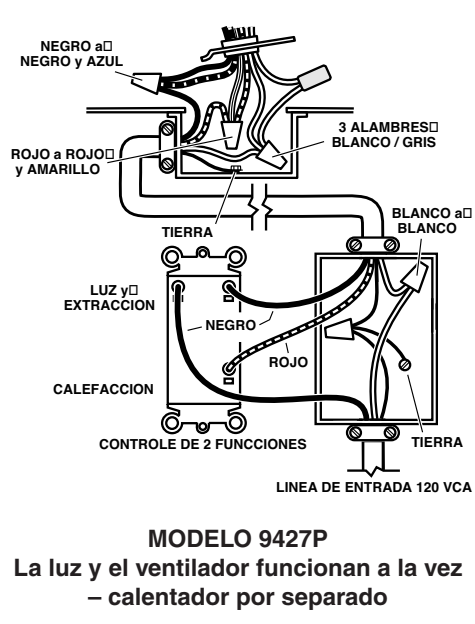
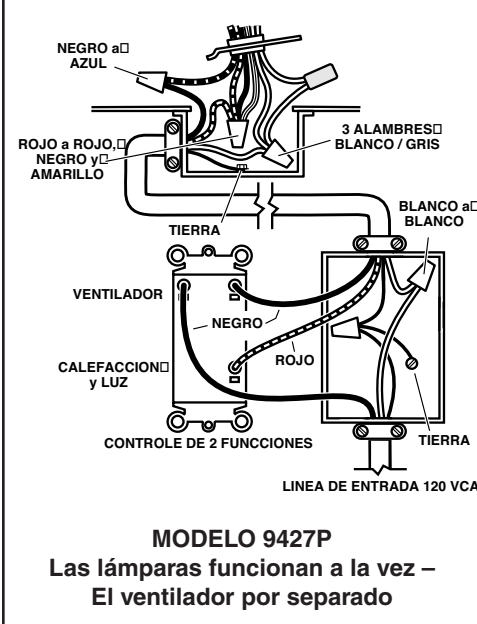
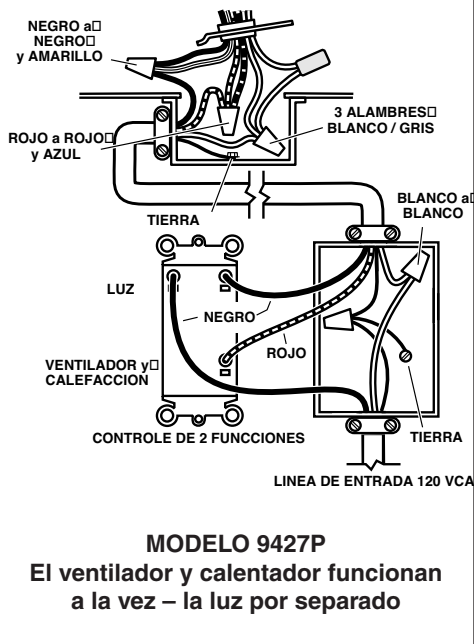
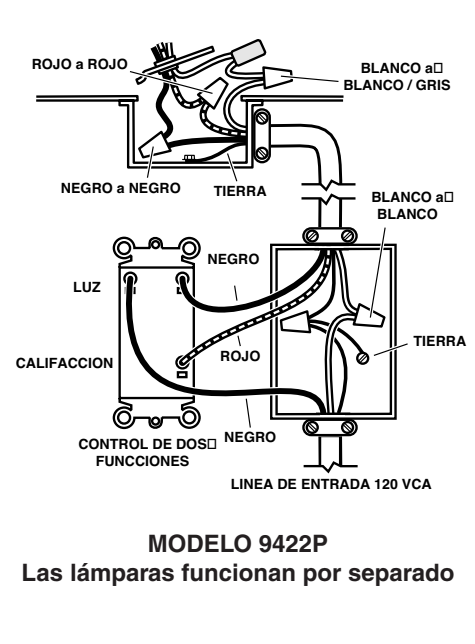
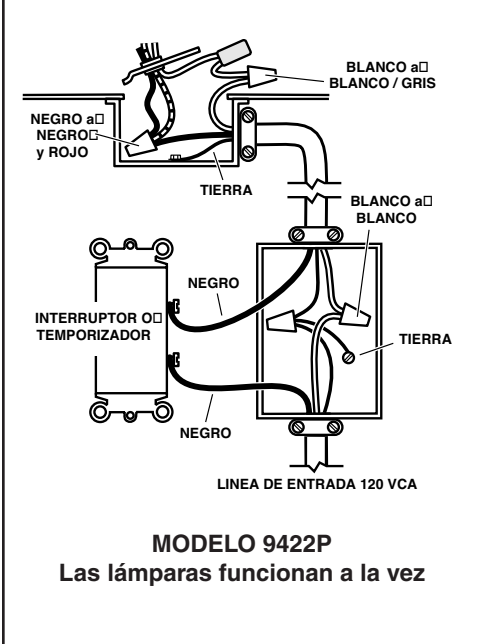
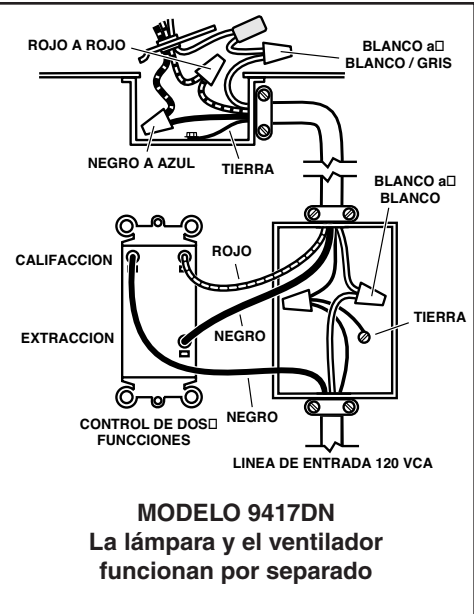
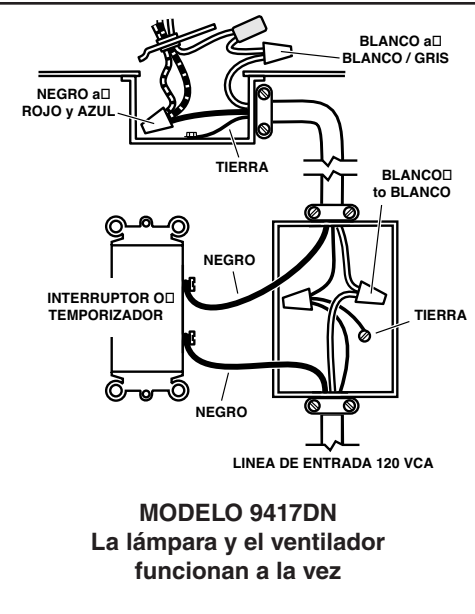
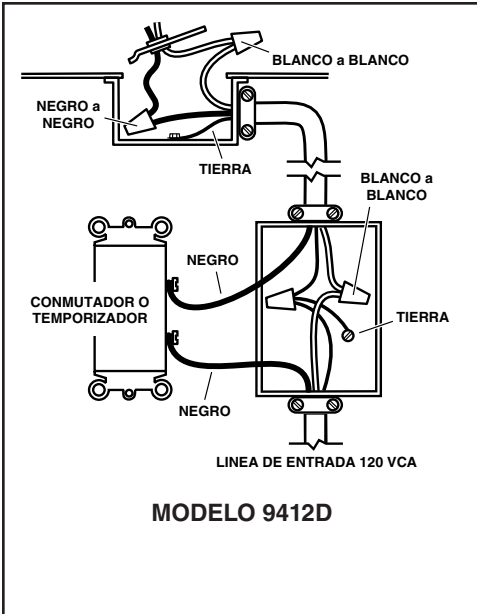
El calentador está permanentemente lubricado y nunca necesitará ponerle aceite ni desarmarlo.

## **LIMPIEZA**

Limpie el calentador una vez al mes tal como sigue:

1. Apague la energía eléctrica en el panel de servicio.
2. Asegúrese de que el elemento de calefacción esté frío.
3. Use un aditamento de cepillo suave para aspirar suavemente aberturas de la rejilla o limpie la rejilla con un paño suave.
4. Restaure la energía eléctrica.

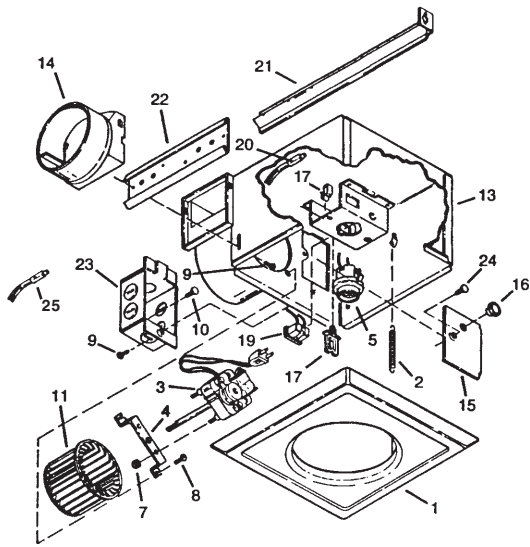
**CUIDADO: LAS PIEZAS METALICAS Y ELECTRICAS NUNCA SE DEBEN SUMERGIR EN AGUA.**



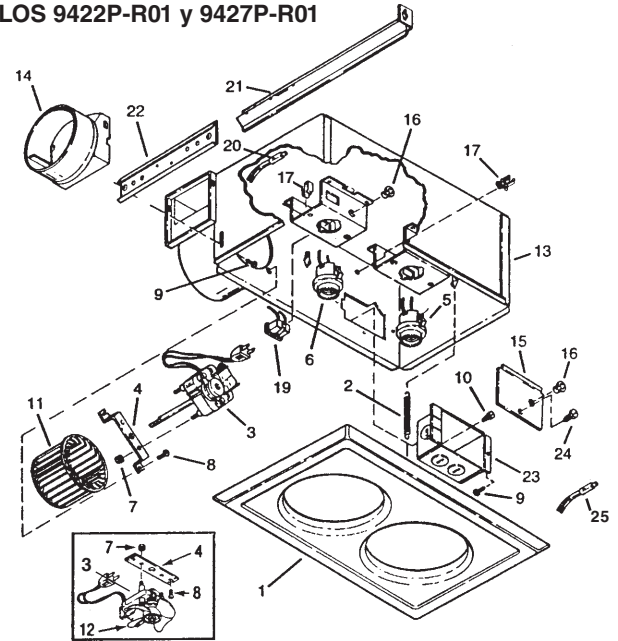
# LISTA DE PIEZAS

| REF. | 9412D-R01<br>NO. DE PIEZAS | 9417DN-R01<br>NO. DE PIEZAS | 9422P-R01<br>NO. DE PIEZAS | 9427P-R01<br>NO. DE PIEZAS | DESCRIPCION  |
|------|----------------------------|-----------------------------|----------------------------|----------------------------|--|
| 1    | 97010319                   | 97010319                    | 97010320                   | 97010320                   | Equipo de la rejilla (incluye No. 2)                                     |
| 2    | 06170-00                   | 06170-00                    | 06170-00                   | 06170-00                   | Resorte de la rejilla (se requieren 2)                                   |
| 3    | ----                       | 97010254                    | 97009724                   | 97010254                   | Motor  |
| 4    | ----                       | 98007352                    | 98007426                   | 98007352                   | Soporte del montaje del motor  |
| 5    | 99770034                   | 99770034                    | 99770034                   | 99770034                   | Portabombilla  |
| 6    | ----                       | ----                        | 99770037                   | 99770037                   | Portabombilla  |
| 7    | ----                       | 99260423                    | 99260423                   | 99260423                   | Tuerca, #8-32 (se requieren 2)   |
| 8    | ----                       | 99160360                    | 99160360                   | 99160360                   | Tornillo, #8-32 x 1/2 (se requieren 2)                                   |
| 9    | 99150545                   | 99150545                    | 99150545                   | 99150545                   | Tornillo de chapa metálica #8-18x3/8 (se req. 5) (se req. 7 - 9412D-R01) |
| 10   | 99150546                   | 99150546                    | 99150546                   | 99150546                   | Tornillo de tierra #8-18x3/8   |
| 11   | ----                       | 97010255                    | ----                       | 97010255                   | Rueda del soplador   |
| 12   | ----                       | ----                        | 97009762                   | ----                       | Paleta del ventilador  |
| 13   | 97009475                   | 97009476                    | 97009477                   | 97009478                   | Casa (incluye No. 9 y 23)  |
| 14   | ----                       | 97009595                    | ----                       | 97009595                   | Conector de amortiguador/conducto  |
| 15   | 25067-00                   | 20050-09                    | 20050-09                   | 20050-09                   | Cubierta de caja de conexiones   |
| 16   | 99400026                   | 99400026                    | 99400026                   | 99400026                   | Manguito aislador (se req. 2 - 9422P-R01 y 9427P-R01)                    |
| 17   | 99270830                   | 99270830                    | 99270830                   | 99270830                   | Sujetador de alambre   |
| 19   | ----                       | 99270835                    | 99270835                   | 99270835                   | Enchufe  |
| 20   | ----                       | 99270832                    | ----                       | 99270832                   | Termostato (Ventilador)  |
| 21   | 98003036                   | 98003036                    | 98003036                   | 98003036                   | Soporte de montaje (se requieren 4)                                      |
| 22   | 98007763                   | 98007763                    | 98007763                   | 98007763                   | Canal de soporte (se requieren 2)  |
| 23   | 25064-00                   | 25064-00                    | 25064-00                   | 25064-00                   | Caja de conexiones   |
| 24   | 99150564                   | 99150564                    | 99150564                   | 99150564                   | Tornillo, #8-18 x 1/2  |
| 25   | ----                       | 79270237                    | 79270237                   | 79270237                   | Termostato (Focos)   |
| **   | ----                       | ----                        | 99270668                   | 99270668                   | Conector de pliegue (se req. 2 - 9422P-R01) (se req. 3 - 9427P-R01)      |

MODELOS 9412D-R01 y 9417DN-R01



MODELOS 9422P-R01 y 9427P-R01



MODELO 9422P-R01 SOLOMENTE

## GARANTIA

### GARANTÍA BROAN-NUTONE LIMITADA POR UN AÑO

Broan-NuTone garantiza al consumidor comprador original de sus productos que dichos productos carecerán de defectos en materiales o en mano de obra por un período de un año a partir de la fecha original de compra. NO EXISTEN OTRAS GARANTÍAS, EXPLÍCITAS O IMPLÍCITAS, INCLUYENDO, ENTRE OTRAS, GARANTÍAS IMPLÍCITAS DE COMERCIALIZACIÓN O APTITUD PARA UN PROPÓSITO PARTICULAR. Durante el período de un año, y a su propio criterio, Broan-NuTone reparará o reemplazará, sin costo alguno, cualquier producto o pieza que se encuentre defectuosa bajo condiciones normales de servicio y uso.

LA PRESENTE GARANTÍA NO CUBRE LOS TUBOS FLUORESCENTES NI SUS ARRANCADORES, BOMBILLAS DE HALÓGENO E INCANDESCENTES, FUSIBLES, FILTROS, CONDUCTOS, TAPONES DE TECHO O PAREDES Y DEMÁS ACCESORIOS PARA CONDUCTOS. Esta garantía no cubre (a) mantenimiento y servicio normales o (b) cualesquiera productos o piezas que hayan sido utilizados de forma errónea, negligente, que hayan causado un accidente, o que hayan sido reparados o mantenidos inapropiadamente (por otras compañías que no sean Broan-NuTone), instalación defectuosa, o instalación contraria a las instrucciones de instalación recomendadas.

La duración de cualquier garantía implícita se limita a un período de un año como se especifica en la garantía expresa. Algunos estados no permiten limitaciones en cuanto al tiempo de vencimiento de una garantía implícita, por lo que la limitación antes mencionada puede no aplicarse a usted.

LA OBLIGACIÓN DE BROAN-NUTONE DE REPARAR O REEMPLAZAR, SIGUIENDO EL CRITERIO DE BROAN-NUTONE, DEBERÁ SER EL ÚNICO Y EXCLUSIVO RECURSO LEGAL DEL COMPRADOR BAJO ESTA GARANTÍA. BROAN-NUTONE NO SERÁ RESPONSABLE POR DAÑOS INCIDENTALES, CONSECUENTES, O POR DAÑOS ESPECIALES QUE SURJAN A RAÍZ DEL USO O DESEMPEÑO DEL PRODUCTO. Algunos estados no permiten la exclusión o limitación de daños incidentales o consecuentes, por lo que la limitación antes mencionada puede no aplicarse a usted.

Esta garantía le proporciona derechos legales específicos, y usted puede también tener otros derechos, los cuales varían de estado a estado. Esta garantía reemplaza todas las garantías anteriores.

Para calificar para la garantía de servicio, usted debe (a) notificar a Broan-NuTone al domicilio o al número de teléfono que se menciona abajo, (b) dar el número del modelo y la identificación de la pieza, y (c) describir la naturaleza de cualquier defecto en el producto o la pieza. En el momento de solicitar servicio cubierto por la garantía, usted debe de presentar un comprobante con la fecha original de compra.

Broan-NuTone LLC, 926 W. State Street, Hartford, Wisconsin 53027 www.broan-nutone.com 888-336-3948