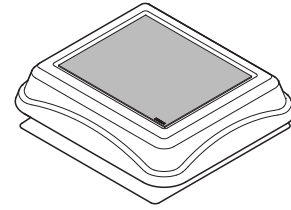


ROOF-MOUNT SOLAR POWERED ATTIC VENTILATOR



READ AND SAVE THESE INSTRUCTIONS

WARNING

TO REDUCE THE RISK OF FIRE, ELECTRIC SHOCK, OR INJURY TO PERSONS, OBSERVE THE FOLLOWING:

1. Use this unit only in the manner intended by the manufacturer. If you have questions, contact the manufacturer at the address or telephone number listed in the warranty.
2. Before servicing or cleaning unit, disable the ventilator by covering the solar panel with cardboard or disconnecting the wires from the motor terminals (note wire locations when disconnecting).
3. Installation work must be done by a qualified person(s) in accordance with all applicable codes and standards, including fire-rated construction codes and standards.
4. If removing an existing 120 VAC powered attic ventilator, use only a qualified person(s) to remove any electrical wiring in accordance with all applicable codes and standards.
5. Sufficient air is needed for proper combustion and exhausting of gases through the flue (chimney) of fuel burning equipment to prevent backdrafting. Follow the heating equipment manufacturer's guidelines and safety standards such as those published by the National Fire Protection Association (NFPA), and the American Society for Heating, Refrigeration and Air Conditioning Engineers (ASHRAE), and the local code authorities.
6. When cutting or drilling into wall or ceiling, do not damage electrical wiring and other hidden utilities.

CAUTION

1. For general ventilating use only. Do not use to exhaust hazardous or explosive materials and vapors.
2. To avoid motor bearing damage and noisy and/or unbalanced impellers, keep drywall spray, construction dust, etc. off power unit.
3. This unit has an unguarded impeller. Do not use in locations readily accessible to people or animals.
4. This ventilator operates when the solar panel is exposed to sun light. To reduce risk of injury while installing, servicing or cleaning unit, cover the solar panel with cardboard or disconnect the wires from the motor terminals (note wire locations when disconnecting).
5. The recommended open air inlet for this ventilator is 2 square feet. The best location for these air intake vents are under the eaves with direct access to the attic. Failure to provide these intakes could cause natural-draft gas appliances to backdraft.
6. Your attic fan installation will create a screened opening into your attic space. During a heavy rain storm there could be a light spray of rain into this attic space. This is a normal condition with all attic ventilators and will not cause any damage to the structure. We recommend that you do not store any valuable articles directly under the fan opening in the roof.
7. This ventilator is intended for roof installation. Broan Models 353, 345GOBK & 345GOWW Gable Mount Ventilators are available for side wall applications.

CAUTION

8. The plastic ventilator dome and base may be painted with high quality paint. Follow the paint manufacturer's recommendations for acrylic and ABS plastic as appropriate. Take care to avoid getting paint on the solar panel.
9. This ventilator includes a permanently lubricated motor. Do not oil or disassemble.
10. The installation instructions contained in this document are only a recommendation and individual professionals may have their own methods of installation. If your roof has an existing warranty, installation of this product by anyone other than those who installed the roof may jeopardize any future warranty claim. Please check with the original installer of your roof if this is a concern.
11. When working with asphalt shingles in cold weather (below 40°F), take care to avoid damage to the shingle edges and corners.
12. For installations in climates where cold weather condensation is not a concern, Broan Model CWT45 thermostat is available. It disconnects power to the motor when the temperature drops below 50°F. Power is applied to the motor when the temperature reaches 61°F.
13. The wearing of safety glasses and gloves is recommended when installing, maintaining or cleaning the unit to reduce the risk of injury that could be caused by the presence of thin metal and/or high moving parts.
14. If the fan makes excessive noise or if there is unusual noise or smells of smoke, disconnect power supply and contact customer service.

If this fan is to be used to ventilate a garage:

- A. Use only in single family, residential garages
- B. Install in a GFCI protected branch circuit
- C. To help offset the risk posed by high concentrations of vapors from paints, glues, solvents, and fuels, install fan at least 18 inches (0.5m) above the floor
- D. NEVER run a vehicle or use a fuel burning appliance inside of a garage. Deadly levels of carbon monoxide can build up in the area. Using this garage fan, or opening windows and doors, will NOT supply enough fresh air to eliminate the danger.
- E. Run regularly if exposed to salty air environments
- F. Extra cleaning may be required due to possible dirty surroundings

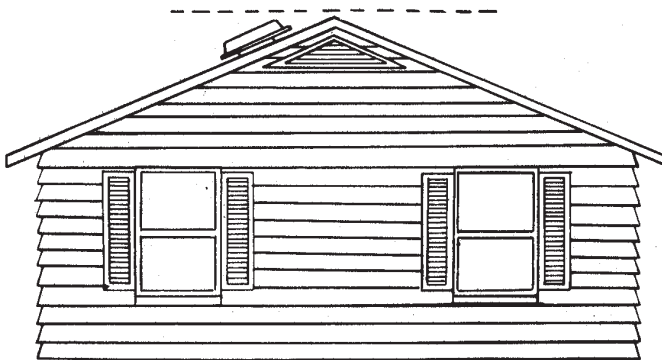
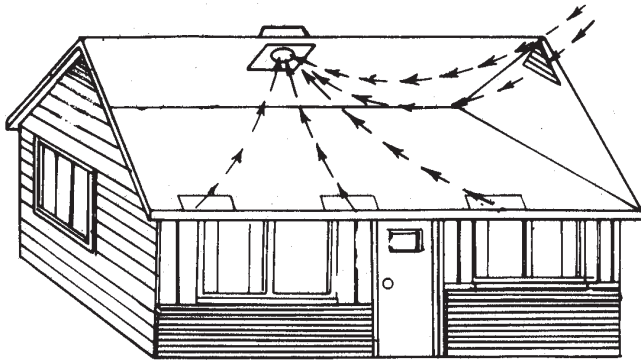
Register your product online at:
www.broan-nutone.com/register

TOOLS AND MATERIALS REQUIRED

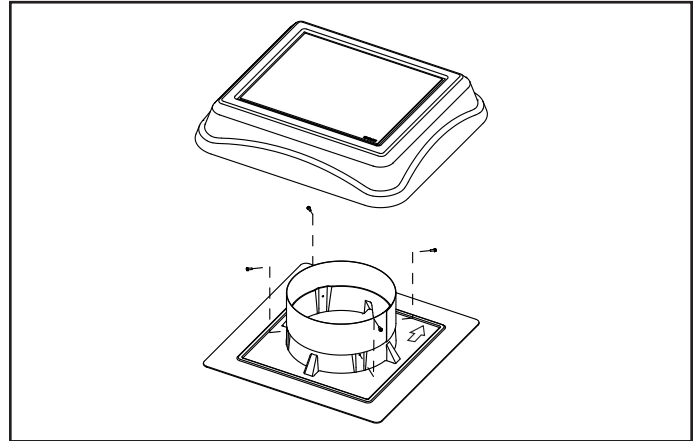
- | | |
|---|--|
| <input type="checkbox"/> Drill | <input type="checkbox"/> Pry Bar |
| <input type="checkbox"/> 1/4" Drill Bit | (to remove roofing nails) |
| <input type="checkbox"/> Sabre Saw or Keyhole Saw | <input type="checkbox"/> 5/16" Socket and |
| <input type="checkbox"/> Hammer | Extension |
| <input type="checkbox"/> Ruler / Tape Measure | <input type="checkbox"/> Roofing Cement |
| <input type="checkbox"/> Pencil, Marker or Scribe | <input type="checkbox"/> Galvanized #10 x 1" |
| <input type="checkbox"/> Utility Knife | Pancake Head Wood Screws |

INSTALLATION

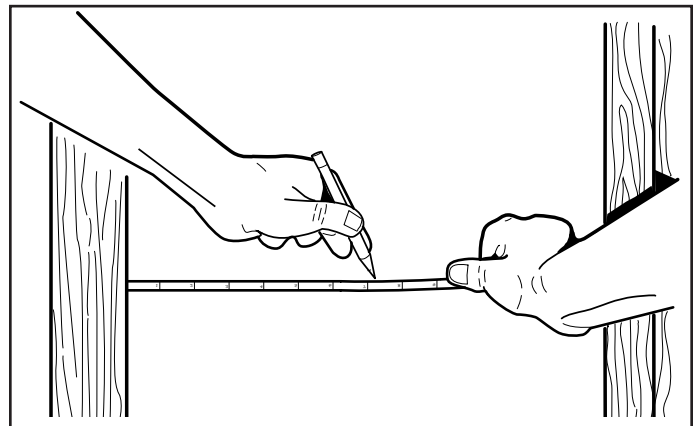
Note: This ventilator is capable of replacing an existing 120 volt powered attic ventilator. Only a qualified person should remove any electrical wiring in accordance with local codes and standards.



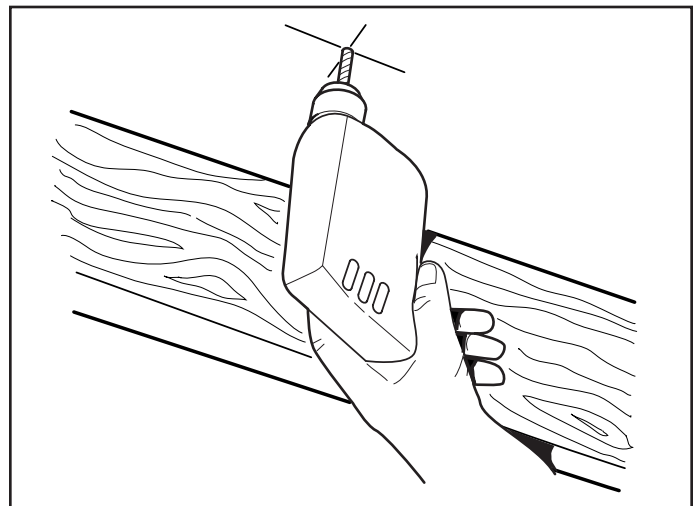
1. Determine the sun's best exposure location on your roof barring shade (trees, other buildings etc.) at 4:00pm in the hottest month of the year. Generally, we recommend a point located 24" – 36" on center below the roof peak and centrally along the ridgeline on the south, southwest, or west side of the home.
2. Prior to installation, we recommend setting up the ventilator to verify operation. Take the ventilator to a location exposed to sun. Removing the cardboard cover from the solar panel should cause the ventilator to operate. Secure cardboard in place over solar panel (for safety).



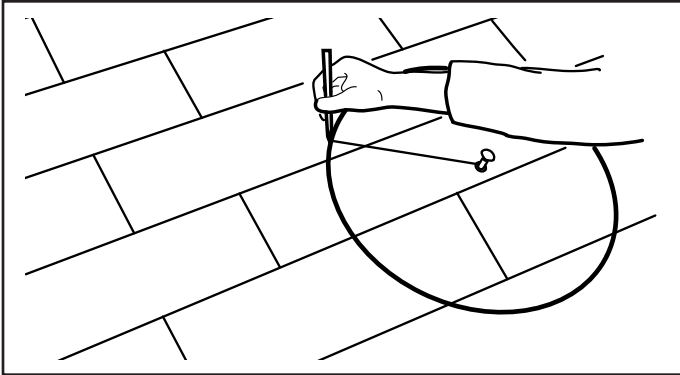
3. Separate the dome from the base by removing four (4) sheet metal screws. Set dome aside.



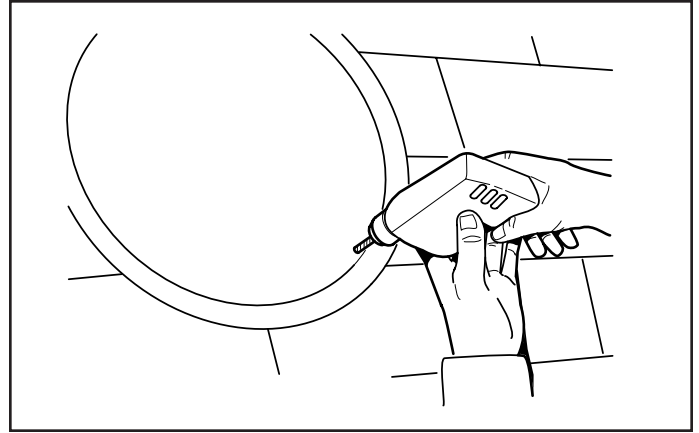
4. Working from the inside of your attic, find the desired ventilator location and mark a spot halfway between rafters at a point that is 24" – 36" below the roof ridge.



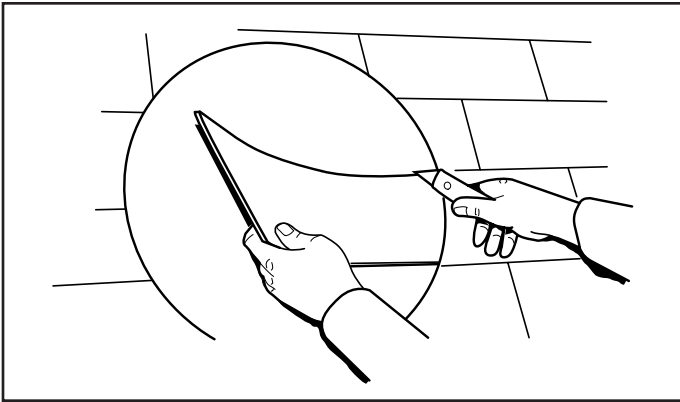
5. Drill a guide hole through the roof at this mark.



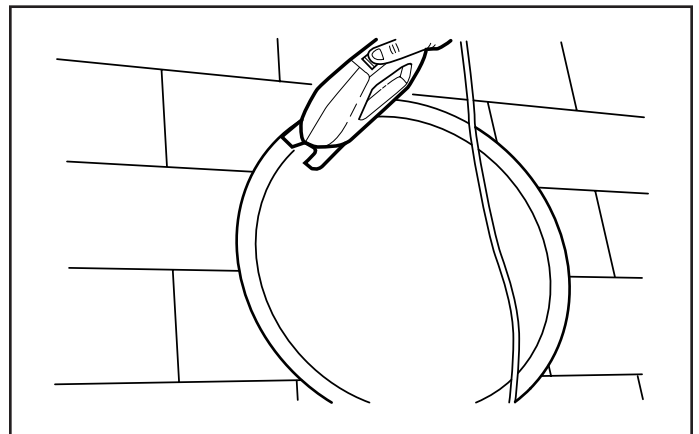
6. From the roof side, using the guide hole as the center point, use a nail and string to scribe a 16-1/2" diameter circle on the shingles. Note: If replacing an existing ventilator, the hole diameter may be larger than 16-1/2". This is acceptable provided the roofing material overlaps the ventilator by at least 2" on all sides.



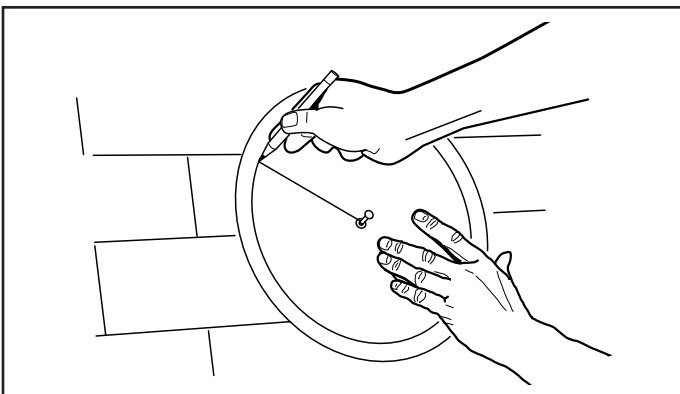
9. Drill a large starting hole for the sabre saw just inside of the line or the 14" circle created in Step 8.



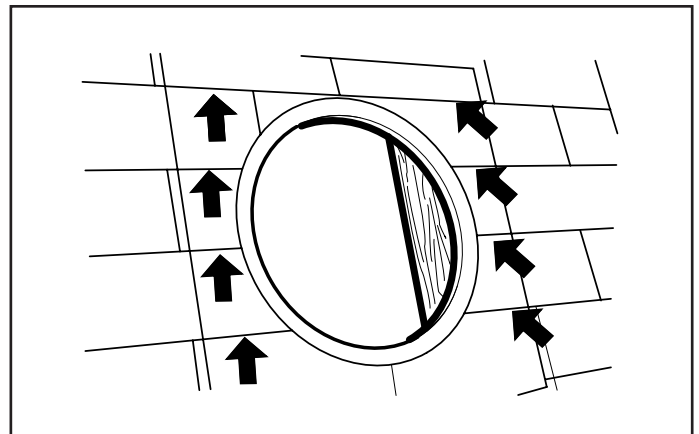
7. Cut out the shingles inside of the circle.



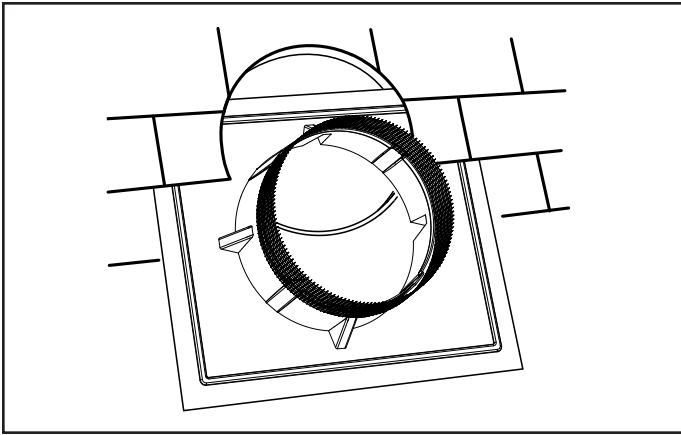
10. Cut out the roof board(s) inside of the line.



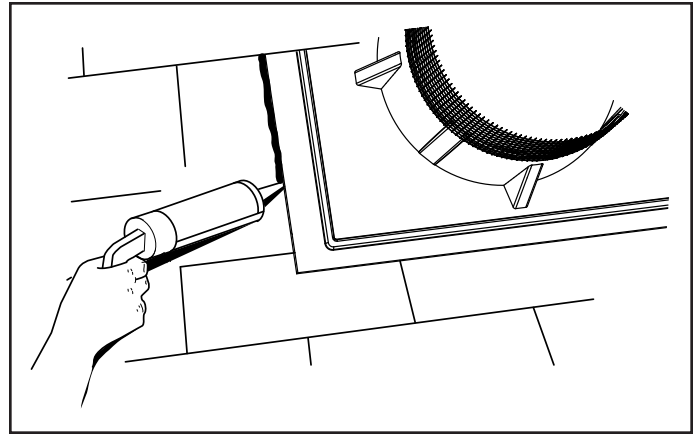
8. Using the same nail and string shown in step 6, scribe a 14" diameter circle on the black paper or roof decking. Note: if replacing an existing ventilator the hole diameter may be larger than 14". This is acceptable provided the ventilator base is adequately supported by the roof decking.



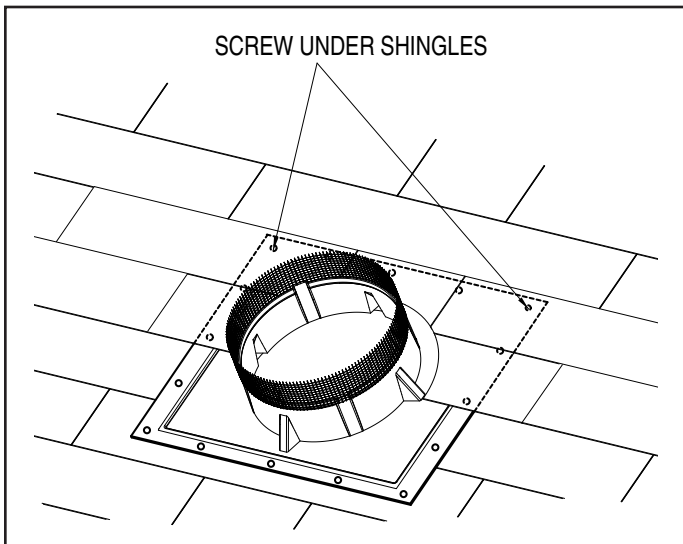
11. For proper removal of roofing nails, draw a 27" square, centered around the hole. Remove nails holding shingles down from top two-thirds of square.



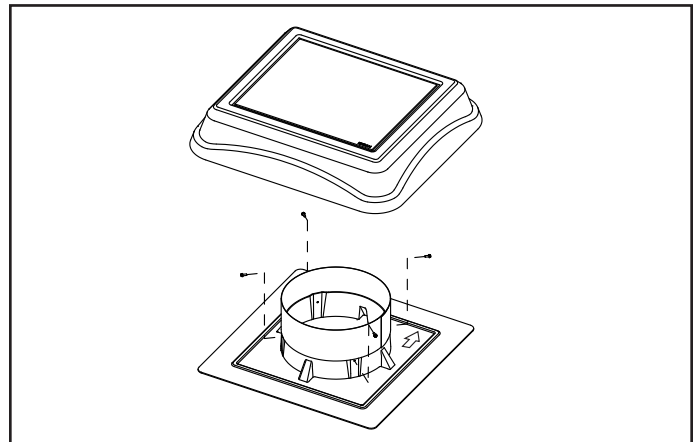
12. Apply a large bead of roofing cement in the molded groove on the bottom side of ventilator base. Make sure the arrow on the ventilator base is pointed toward the roof ridge. Start two-thirds of the way down from the top of the 27" square and slide the ventilator base under the shingles. Do not bend the shingles any more than necessary. Center the ventilator base over the hole.



14. Using a good grade of roofing cement material, seal shingles and all screw heads. **DO NOT** seal the bottom edge of the ventilator base.

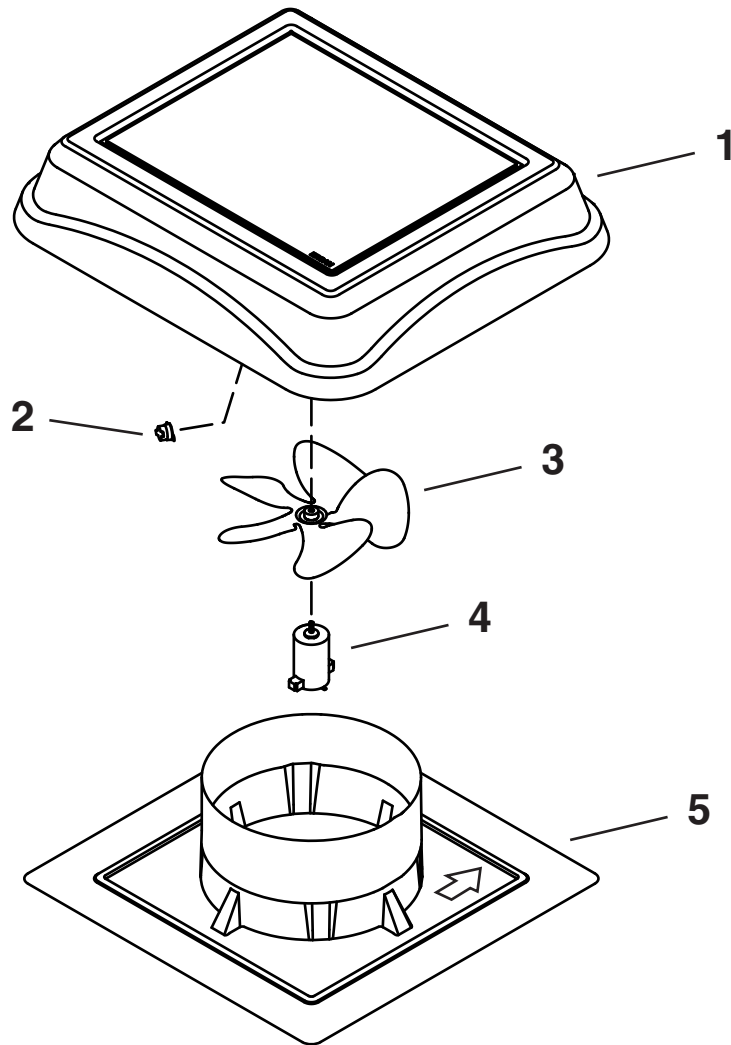


13. Make sure the ventilator base is parallel to the roof ridge, carefully lift shingles and screw base securely to the roof using galvanized #10 x 1" pancake head wood screws. Screw all corners and around perimeter of base every 6 inches.



15. Position the ventilator dome so the top points toward the roof ridge. Install the dome to the ventilator base using the four (4) sheet metal screws removed during step 3. Remove cardboard from the solar panel and make sure the ventilator operates.

SERVICE PARTS



Replacement parts can now be ordered on our website. Please visit us at www.broan-nutone.com

Key No.	Model 345SOBK (Black)	Model 345SOWW (Weathered Wood)	Description
1	77001311	77001313	Solar Panel Assembly (Dome)
2	CWT45	CWT45	Thermostat (Optional)
3	79020041	79020041	Fan Blade w/ Set Screw
4	79080082	79080082	Motor, DC
5	77001284	77001287	Roof Sheet Panel

WARRANTY**BROAN-NUTONE LLC
– Exclusive Limited Warranty –**

The Exclusive Limited Warranty Agreement (the "Warranty") is entered into by and between Customer and Broan-NuTone LLC ("Broan"). Customer has carefully reviewed this Warranty and agrees that Broan's performance of its obligations hereunder will provide Customer with an adequate remedy which will serve the essential purpose of the parties' agreement relating to the products manufactured by Broan and identified on the reverse side hereof (the "Products"). Customer acknowledges and agrees that he/she is purchasing the Products for residential purposes (and not for industrial or commercial purposes) after careful inspection of the same. Customer's rights and benefits hereunder inure solely to Customer, as the original purchaser of the Products, and are non-assignable and non-transferable. No other party or entity, including, without limitation, subsequent purchasers or owners of the Products shall have or be entitled to assert any rights or benefits hereunder.

EXCLUSIVE LIMITED WARRANTY; LIMITATION OF REMEDIES. Broan hereby warrants the Customer that the Products' motors are and will remain for a period of two (2) years from the date of delivery to Customer; and the Products are and will remain for a period of six (6) years from the date of delivery to Customer (collectively, the "Warranty Period"), free of defects in materials and workmanship, provided that such Products are used for their intended purpose and are properly serviced in accordance with the User's Manual provided to Customer. Subject to the foregoing, if at any time during the Warranty Period any Product fails to conform to the foregoing warranty by reason of defects in materials or workmanship, Customer shall properly notify Broan in writing and shall include with such notice a sales receipt or proof of purchase of the defective Product, and Broan at its option shall repair or replace the defective Product or component part without charge to Customer, except for: (A) costs incurred in transporting the Products or component parts to and from Broan's designated dealer or its manufacturing plant in Hartford, Wisconsin; and (B) charges for labor or other costs incidental to the removal or remounting of component parts repaired or replaced under this Warranty, both of which shall be borne by Customer. Notwithstanding any provision herein to the contrary, this Warranty shall not extend or obligate Broan to take any action with respect to: (A) Products which have been modified, altered, installed, used or operated in a manner which is not recommended by Broan, including any Products in which parts not manufactured or approved by Broan have been installed; (B) Products which have not been regularly or properly serviced in accordance with the User's Manual or which have otherwise been neglected; and (C) ordinary wear and tear, service and maintenance and replacement items. **THIS WARRANTY APPLIES ONLY TO MACHINERY, EQUIPMENT AND COMPONENT PARTS MANUFACTURED BY BROAN. THIS WARRANTY DOES NOT APPLY OR EXTEND TO: (A) PARTS PURCHASED SEPARATELY FROM SUCH MACHINERY AND EQUIPMENT, WHICH ARE COVERED BY A SEPARATE WRITTEN WARRANTY; OR (B) ITEMS OF EQUIPMENT OR ACCESSORIES MANUFACTURED BY PARTIES OTHER THAN BROAN.**

EXCEPT AS SPECIFICALLY STATED IN THE PARAGRAPH IMMEDIATELY ABOVE, BROAN MAKES NO WARRANTY OR REPRESENTATION, EXPRESS OR IMPLIED, INCLUDING, WITHOUT LIMITATION, ANY WARRANTY OF MERCHANTABILITY OR FITNESS FOR A PARTICULAR PURPOSE. THE WARRANTY SET FORTH IN THE PRECEDING PARAGRAPH AND THE OBLIGATIONS AND LIABILITIES OF BROAN THEREUNDER REPRESENT CUSTOMER'S SOLE AND EXCLUSIVE REMEDIES AND ARE EXPRESSLY MADE IN LIEU OF ANY AND ALL OTHER REMEDIES, WARRANTIES, GUARANTIES OR LIABILITIES, EXPRESS OR IMPLIED, ALL OF WHICH ARE HEREBY EXPRESSLY WAIVED BY CUSTOMER. THERE ARE NO WARRANTIES WHICH EXTEND BEYOND THE DESCRIPTION ON THE FACE HEREOF. IN NO EVENT SHALL BROAN'S LIABILITY HEREUNDER EXCEED THE PURCHASE PRICE FOR THE PRODUCTS. ADDITIONALLY, BROAN SHALL NOT BE LIABLE FOR ANY SPECIAL, INDIRECT, INCIDENTAL OR CONSEQUENTIAL DAMAGES OF ANY NATURE WHATSOEVER.

Broan reserves the right to modify, alter or improve any products or equipment manufactured by Broan without incurring any duty or obligation to modify, alter, improve or replace any of the Products covered hereby.

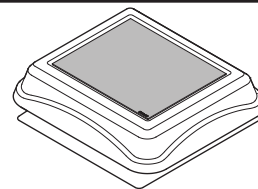
THIS WARRANTY SETS FORTH THE PARTIES' FINAL, COMPLETE AND EXCLUSIVE AGREEMENT CONCERNING THE PRODUCTS AND BROAN'S WARRANTY OBLIGATIONS. NO AFFIRMATION OF FACT, PROMISE, DESCRIPTION, DEMONSTRATION, SAMPLE OR MODEL CONSTITUTES A WARRANTY OR OTHERWISE MODIFIES, EXTENDS OR ALTERS THIS WARRANTY UNLESS IN A WRITTEN INSTRUMENT SIGNED BY AN AUTHORIZED BROAN OFFICER.

This Warranty shall be governed by and construed in accordance with the laws of the State of Wisconsin. The venue for any action arising out of or related to this Warranty shall be in Washington County, Wisconsin.

Broan-NuTone LLC Hartford, Wisconsin www.broan-nutone.com 800-558-1711

VENTILATEUR DE GRENIER À ÉNERGIE SOLAIRE MONTÉ SUR LE TOIT

Page 7



LIRE CES DIRECTIVES ET LES CONSERVER

AVERTISSEMENT

OBSERVEZ LES DIRECTIVES CI-DESSOUS AFIN DE RÉDUIRE LES RISQUES D'INCENDIE, DE CHOC ÉLECTRIQUE OU DE BLESSURES CORPORELLES :

1. N'utilisez cet appareil que de la manière prévue par le fabricant. Si vous avez des questions, communiquez avec le fabricant à l'adresse ou au numéro de téléphone indiqués dans la garantie.
2. Avant d'entretenir ou de nettoyer l'appareil, désactivez le ventilateur en couvrant le panneau solaire d'un carton ou en débranchant les fils des bornes du moteur (notez leur position en les débranchant).
3. Les travaux d'installation doivent être effectués par des personnes qualifiées conformément à la réglementation et aux codes en vigueur, notamment les normes de la construction ayant trait à la protection contre les incendies.
4. Si vous enlevez un ancien ventilateur électrique de 120 VCA, ne faites appel qu'à des personnes qualifiées pour enlever le câblage conformément aux codes et aux normes en vigueur.
5. Pour éviter les refoulements, l'apport d'air doit être suffisant pour brûler les gaz produits par les appareils à combustion et les évacuer dans le conduit de fumée (cheminée). Respectez les directives du fabricant de l'appareil de chauffage et les normes de sécurité, notamment celles publiées par la National Fire Protection Association (NFPA), l'American Society for Heating, Refrigeration and Air Conditioning Engineers (ASHRAE) et les codes des autorités locales.
6. Veillez à ne pas endommager le câblage électrique ou d'autres équipements non apparents lors de la découpe ou du perçage du mur ou du plafond.

ATTENTION

1. Pour ventilation générale uniquement. N'utilisez pas cet appareil pour évacuer des matières ou des vapeurs dangereuses ou explosives.
2. Pour éviter d'endommager les roulements de moteur, de déséquilibrer les pales ou de les rendre bruyantes, débarrassez l'appareil de la poussière de plâtre, de construction, etc.
3. Cet appareil comporte une hélice non protégée. Ne l'utilisez pas dans un endroit facilement accessible aux personnes ou aux animaux.
4. Ce ventilateur se met en marche lorsque le panneau solaire est exposé au soleil. Pour réduire les risques de blessure lors de l'installation, de l'entretien ou du nettoyage de l'appareil, couvrez le panneau solaire d'un carton ou débranchez les fils des bornes du moteur (notez leur position en les débranchant).
5. L'entrée d'air recommandée pour ce ventilateur est de 0,19 m² (2 pi²). Le meilleur emplacement de ces entrées d'air est sous les avant-toit accédant directement au grenier. Négliger d'aménager de telles entrées d'air risque d'entraîner le refoulement des gaz des appareils de combustion.
6. L'installation créera une ouverture grillagée accédant à l'espace du grenier. Lors d'un orage violent, une fine bruine de pluie pourrait pénétrer dans le grenier. Ceci est normal pour tous les ventilateurs de grenier et n'entraînera aucun dommage à la structure. Nous vous conseillons de ne pas ranger d'objets de valeur directement sous l'ouverture du ventilateur dans le toit.
7. Ce ventilateur est conçu pour être installé sur un toit. Les ventilateurs de pignon Broan modèles 353, 345GOBK et 345GOWW sont disponibles pour les applications murales.
8. Le dôme et la base en plastique du ventilateur peuvent être peints avec une peinture de qualité supérieure. Suivez les recommandations du fabricant de la peinture pour l'acrylique et le plastique ABS. Évitez de

ATTENTION

- mettre de la peinture sur le panneau solaire.
9. Ce ventilateur comporte un moteur lubrifié en permanence. Il ne doit pas être huilé ni démonté.
 10. Les directives d'installation contenues dans ce document ne sont que des recommandations et des professionnels peuvent avoir leur propre méthode d'installation. Si votre toit est l'objet d'une garantie, l'installation de ce produit par des personnes autres que les couvreurs qui ont effectué les travaux du toit risque de compliquer toute réclamation future. Veuillez consulter le couvreur original de votre toit pour déterminer s'il peut y avoir un problème à ce sujet.
 11. Si vous travaillez sur des bardeaux d'asphalte par temps froid (moins de 4 °C), prenez garde de ne pas abîmer les bords et les coins des bardeaux.
 12. Pour les installations dans les régions où la condensation par temps froid n'est pas un problème, le modèle Broan CWT45 thermostat est disponible. Il coupe le courant du moteur lorsque la température descend à moins de 10 °C. Le moteur est alimenté en électricité lorsque la température atteint 16 °C.
 13. Le port de lunettes et de gants de sécurité est recommandé lors de l'installation, de l'entretien ou du nettoyage de l'appareil afin de réduire le risque de blessure qui pourrait être causée par la présence de métal mince et/ou de pièces mobiles en hauteur.
 14. Si le ventilateur émet un bruit excessif ou s'il y a un bruit inhabituel ou une odeur de fumée, débrancher l'alimentation électrique et contacter le service à la clientèle.

Si ce ventilateur est utilisé pour ventiler un garage :

- A. Utiliser seulement dans le garage d'une maison unifamiliale
- B. Installer dans un circuit de dérivation protégé par un disjoncteur de fuite à la terre (DDFT)
- C. Pour aider à réduire le risque que posent les concentrations élevées de vapeurs de peinture, de colle, de solvants et de combustibles, installer le ventilateur à au moins 0,5 m (18 po) du sol
- D. Ne JAMAIS laisser tourner le moteur d'un véhicule dans un garage. Ne JAMAIS utiliser un appareil de combustion dans un garage. Le monoxyde de carbone pourrait atteindre un niveau dangereux, voire mortel. L'utilisation de ce ventilateur de garage ou l'ouverture des portes et des fenêtres ne fourniront pas un apport d'air frais suffisant pour éliminer le danger.
- E. Faire fonctionner régulièrement si exposé à un environnement salin
- F. Un nettoyage plus fréquent peut être requis en raison de l'environnement potentiellement sale

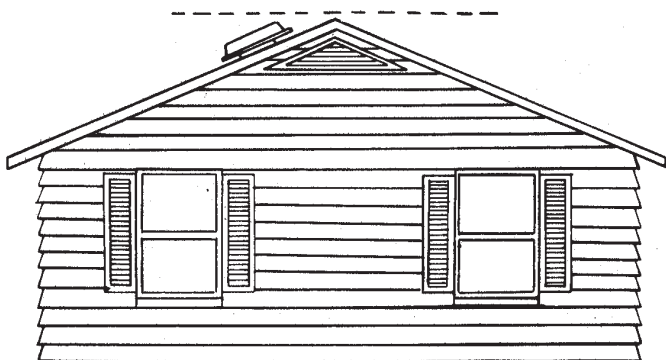
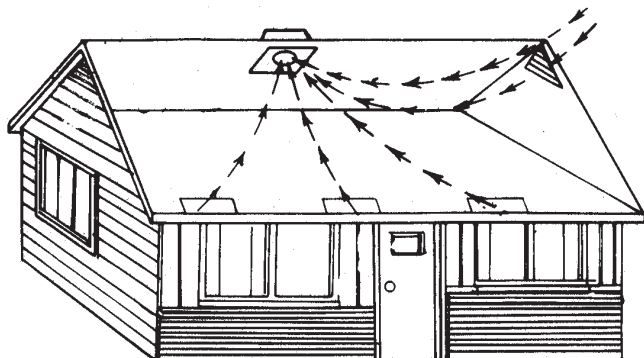
Enregistrez votre produit en ligne à :
www.broan-antone.com/register

OUTILS ET MATÉRIEL REQUIS

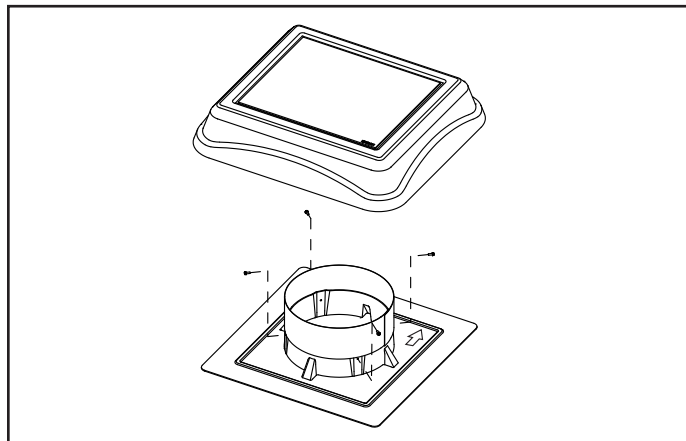
- | | |
|--|---|
| <input type="checkbox"/> Perceuse | <input type="checkbox"/> Couteau universel |
| <input type="checkbox"/> Mèche 1/4 po | <input type="checkbox"/> Barre à clous (pour enlever les clous à toiture) |
| <input type="checkbox"/> Scie sauteuse ou scie passe-partout | <input type="checkbox"/> Douille 5/16 po et rallonge |
| <input type="checkbox"/> Marteau | <input type="checkbox"/> Enduit à toiture |
| <input type="checkbox"/> Règle / ruban à mesurer | <input type="checkbox"/> Vis à bois galvanisées à tête aplatie #10 x 1 po |
| <input type="checkbox"/> Crayon, feutre ou stylet | |

INSTALLATION

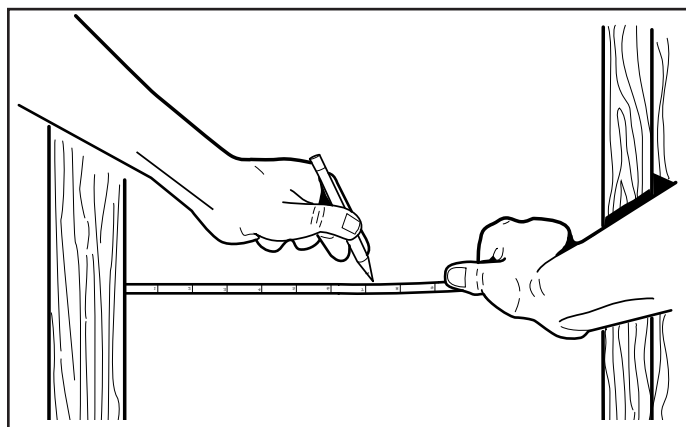
Remarque : Ce ventilateur peut remplacer un ventilateur électrique de 120 volts pour grenier. Seule une personne qualifiée peut enlever le câblage conformément aux codes et aux normes en vigueur.



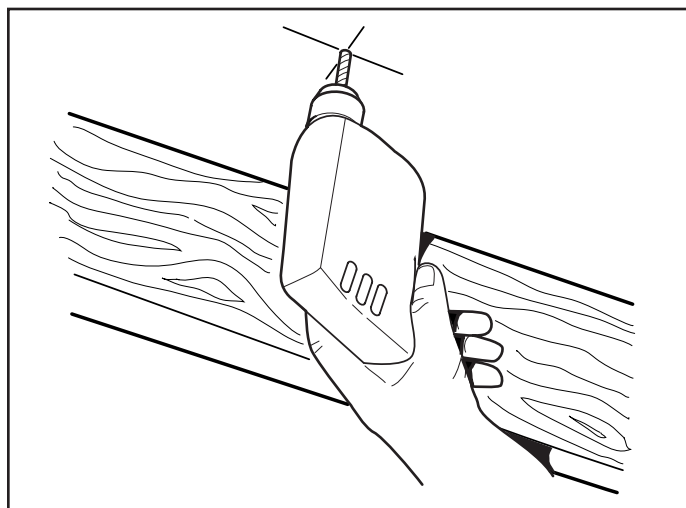
1. Déterminez l'emplacement le plus exposé au soleil sur le toit et sans ombre (arbres, autres bâtiments, etc.) à 16 h dans le mois le plus chaud de l'année. En règle générale, nous recommandons un point situé à environ 61 à 91 cm (24 à 36 po) au centre en dessous du faîte du toit et centré sur le pan sud, sud-ouest ou ouest du toit.
2. Avant l'installation, il est conseillé d'essayer le ventilateur pour vérifier son fonctionnement. Placez le ventilateur à un endroit exposé au soleil. Enlever le carton qui couvre le panneau solaire devrait faire démarrer le ventilateur. Fixez le carton en place sur le panneau solaire (pour des raisons de sécurité).



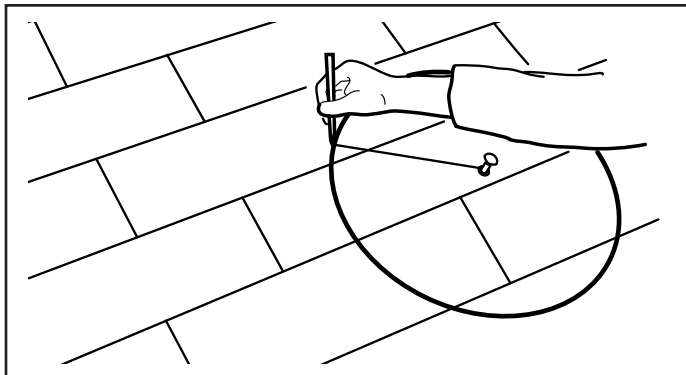
3. Séparez le dôme du ventilateur de sa base en enlevant les quatre (4) vis à tôle. Mettez le dôme de côté.



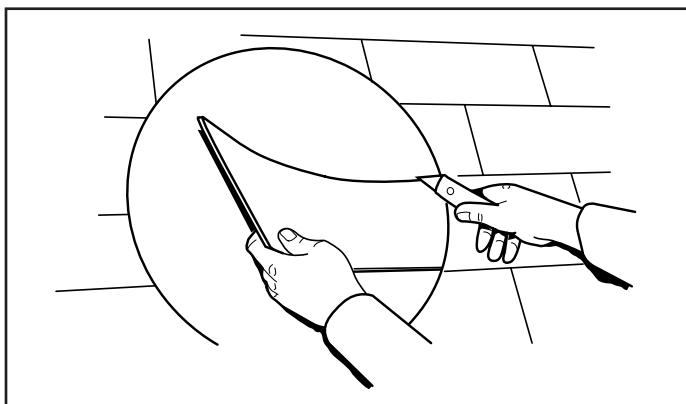
4. De l'intérieur du grenier, trouvez l'endroit voulu et marquez un point à mi-chemin entre deux chevrons à environ 61 à 91 cm (24 à 36 po) en dessous du faîte du toit.



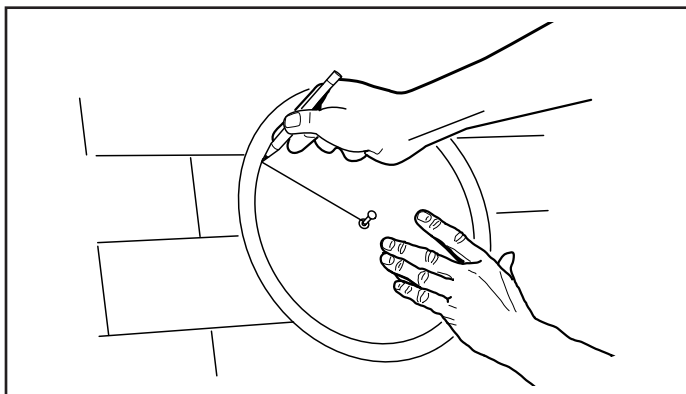
5. Percez un avant-trou dans le toit au niveau du repère.



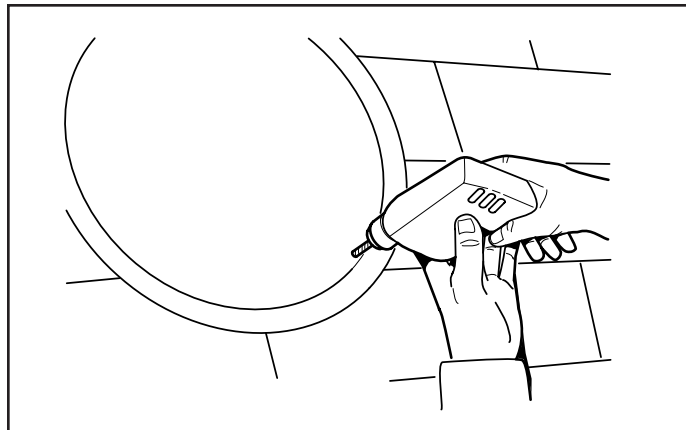
6. De l'extérieur du toit et en utilisant l'avant-trou comme point central, à l'aide d'un clou et d'une corde, tracez un cercle de 42 cm (16-1/2 po) de diamètre sur les bardeaux. Remarque : Si vous remplacez un ancien ventilateur, l'ouverture peut être plus grande que 42 cm (16-1/2 po), ce qui ne pose pas de problème tant que le revêtement du toit chevauche le contour du ventilateur d'au moins 5 cm (2 po) sur tous les côtés.



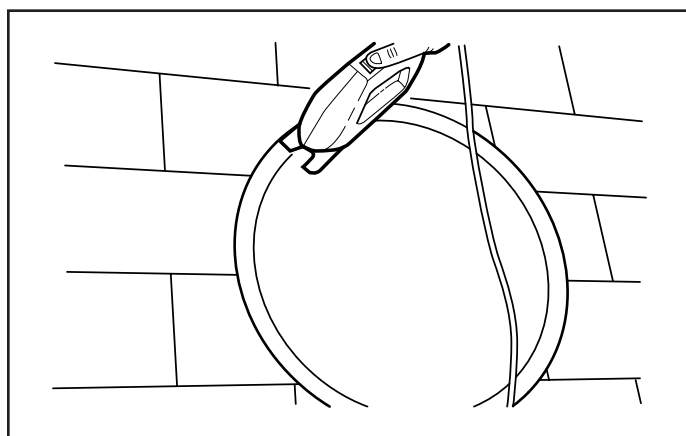
7. Coupez les bardeaux à l'intérieur du cercle.



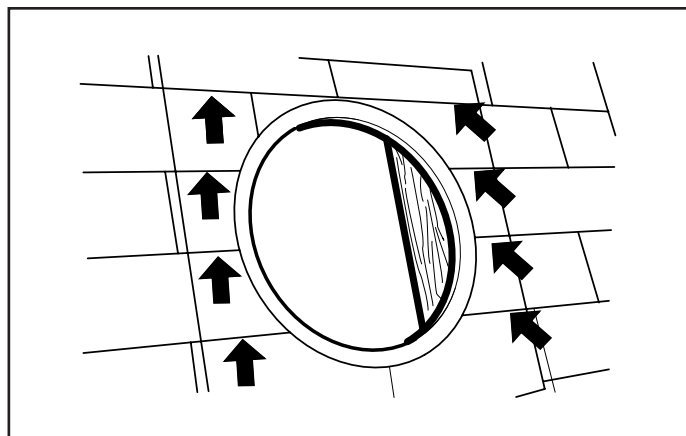
8. En utilisant toujours l'avant-trou de l'étape 6 comme point central, à l'aide d'un clou et d'une corde, tracez un cercle de 35,6 cm (14 po) de diamètre sur le papier noir ou le panneau du toit. Remarque : Si vous remplacez un ancien ventilateur, le diamètre de l'ouverture peut être plus grand que 35,6 cm (14 po), ce qui ne pose pas de problème tant que la base du ventilateur est bien soutenue par les panneaux du toit.



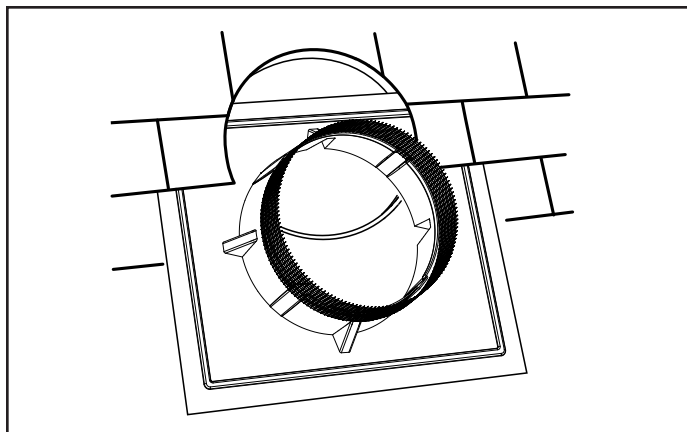
9. Percez un grand trou de départ pour la scie sauteuse juste à l'intérieur de la ligne du cercle de 35,6 cm (14 po) tracé à l'étape 8.



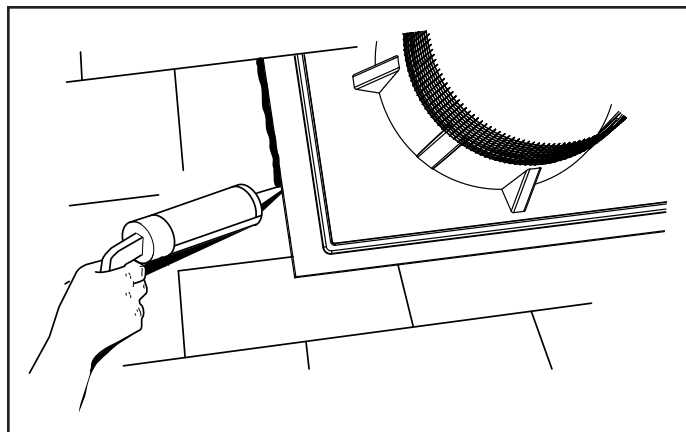
10. Coupez le ou les panneaux du toit à l'intérieur de la ligne.



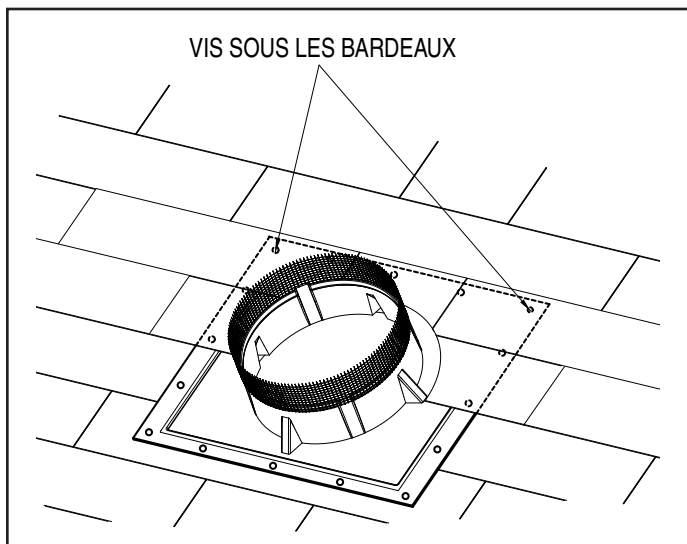
11. Pour enlever correctement les clous à toiture, tracez un carré de 68,6 cm (27 po) de côté, centré sur l'ouverture. Enlevez les clous retenant les bardeaux sur les deux tiers supérieurs du carré.



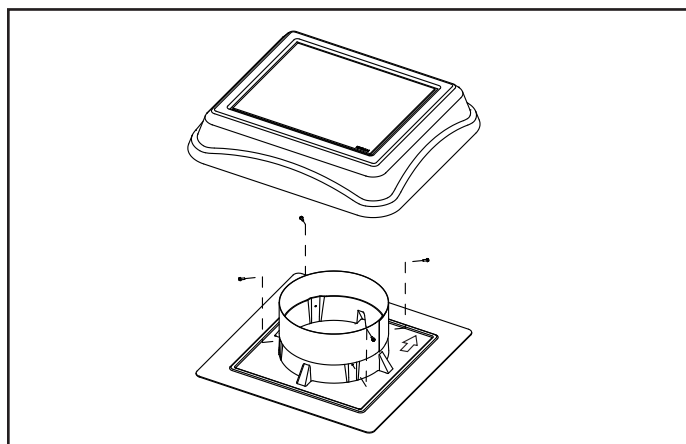
12. Appliquez un gros cordon d'enduit à toiture dans la rainure du dessous de la base du ventilateur. Assurez-vous que la base du ventilateur est parallèle à la ligne du faîte, glissez la base du ventilateur sous les bardeaux des deux tiers supérieurs du carré de 68,6 cm (27 po). Ne pliez pas les bardeaux plus que nécessaire. Centrez la base du ventilateur sur l'ouverture.



14. Imperméabilisez les bardeaux et les têtes de vis à l'aide d'un enduit à toiture de bonne qualité. **N'IMPERMÉABILISEZ PAS** le bord inférieur de la base du ventilateur.

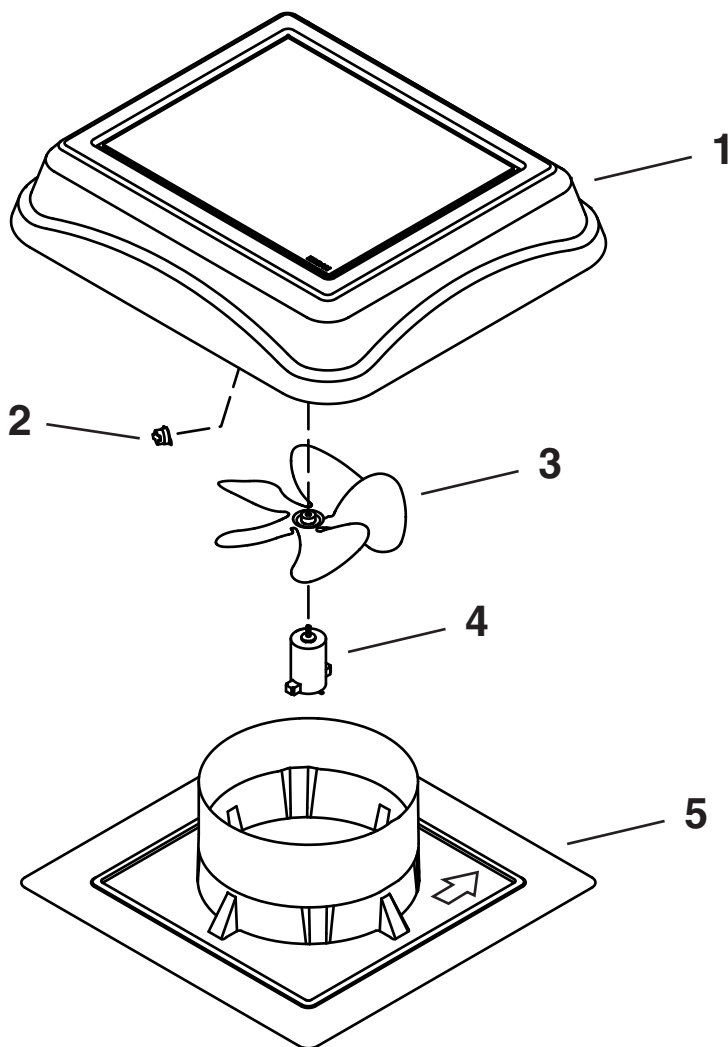


13. Assurez-vous que la base du ventilateur est parallèle à la ligne du faîte, soulevez délicatement les bardeaux et vissez la base solidement sur le toit à l'aide de vis à bois galvanisées à tête aplatie n° 10 x 1 po. Vissez les coins et le pourtour de la base à tous les 15 cm (6 pouces).



15. Positionner le dôme ventilateur de sorte que les points supérieurs vers l'arête de toit. Installez le dôme du ventilateur sur la base du ventilateur à l'aide des quatre (4) vis à tôle enlevées à l'étape 3. Retirez le carton du panneau solaire et vérifiez le fonctionnement du ventilateur.

PIÈCES DE RECHANGE



Les pièces de rechange peuvent être commandées sur notre site Web. Visitez notre site à www.broan-nutone.com

Repère	Modèle 345SOBK (noir)	Modèle 345SOWW (bois intempéré)	Description
1	77001311	77001313	Ensemble de panneau solaire (dôme)
2	CWT45	CWT45	Thermostat (optionnel)
3	79020041	79020041	Hélice de ventilateur avec vis d'arrêt
4	79080082	79080082	Moteur, CC
5	77001284	77001287	Panneau de base

GARANTIE

BROAN-NUTONE LLC
– Garantie exclusive limitée –

Le contrat de garantie exclusive limitée (la « Garantie ») est conclu entre le client et Broan-NuTone LLC (« Broan »). Le client a lu attentivement cette garantie et convient que l'exécution des obligations de Broan ci-dessous lui fournira un recours adéquat qui servira aux fins essentielles de l'accord des parties relativement aux produits fabriqués par Broan et identifiés au verso de la présente (les « Produits »). Le client reconnaît et convient qu'il a acheté les produits à des fins résidentielles (et non industrielles ou commerciales) après les avoir soigneusement inspectés. Les droits et avantages du client, tels que stipulés ci-dessous, incombent uniquement au client en tant qu'acheteur original des produits, et ne sont ni cessibles ni transférables. Aucune autre partie ou entité, y compris, entre autres, tout acheteur ou propriétaire ultérieur des produits, ne pourra prétendre à aucun des droits et avantages ci-dessous.

GARANTIE EXCLUSIVE LIMITÉE; LIMITATION DES RECOURS. Par la présente, Broan garantit au client que le moteur des produits est et demeurera pour une période de deux (2) ans à compter de la date de livraison au client; et que les produits sont et demeureront pour une période de six (6) ans à compter de la date de livraison au client (collectivement, la « période de garantie »), libres de tout vice de matériau ou de fabrication, à condition que ces produits soient utilisés aux fins pour lesquelles ils ont été conçus et aient été correctement entretenus conformément au Manuel de l'utilisateur fourni au client. Eu égard à ce qui suit, si à tout moment au cours de la période de garantie le produit n'est pas conforme à la présente garantie en raison d'un vice de matériau ou de fabrication, le client en informera Broan par écrit, en joignant le reçu ou la preuve d'achat du produit défectueux, afin que Broan puisse, à sa discrétion, réparer ou remplacer ce produit ou l'une de ses pièces sans frais pour le client, à l'exception : (A) des coûts de transport du produit ou de ses pièces du et au concessionnaire désigné par Broan ou à son usine de Hartford, Wisconsin; et (B) des frais de main-d'œuvre ou autres coûts indirects relatifs à l'enlèvement ou au remontage des pièces réparées ou remplacées en vertu de cette garantie, lesquels sont à la charge du client. Nonobstant toute disposition contraire des présentes, cette garantie ne saurait obliger Broan à prendre des dispositions en ce qui a trait à : (A) des produits ayant été modifiés, altérés, installés, utilisés ou ayant servi d'une manière non recommandée par Broan, y compris tout produit dans lequel des pièces qui n'ont pas été fabriquées ou approuvées par Broan ont été installées; (B) des produits qui n'ont pas été régulièrement ou adéquatement entretenus conformément au Manuel de l'utilisateur ou qui ont été autrement négligés; et (C) l'usure normale, les travaux de service et d'entretien et les articles à remplacer. **CETTE GARANTIE NE S'APPLIQUE QU'À LA MACHINERIE, À L'ÉQUIPEMENT ET AUX PIÈCES FABRIQUÉES PAR BROAN. ELLE NE S'APPLIQUE PAS : (A) AUX PIÈCES ACHETÉES SÉPARÉMENT DE LADITE MACHINERIE OU DUDIT ÉQUIPEMENT, QUI SONT COUVERTES PAR UNE GARANTIE ÉCRITE DISTINCTE; NI (B) AUX ARTICLES, ÉQUIPEMENTS OU ACCESSOIRES FABRIQUÉS PAR D'AUTRES PARTIES QUE BROAN.**

SAUF CE QUI EST STIPULÉ AU PARAGRAPHE PRÉCÉDENT, BROAN N'OFFRE AUCUNE GARANTIE NI REPRÉSENTATION, EXPRESSE OU IMPLICITE, Y COMPRIS, ENTRE AUTRES, TOUTE GARANTIE DE VALEUR MARCHANDE OU D'ADAPTATION À UN USAGE PARTICULIER. LA GARANTIE STIPULÉE DANS LE PARAGRAPHE PRÉCÉDENT ET LES OBLIGATIONS ET RESPONSABILITÉS DE BROAN QUI EN DÉCOULENT REPRÉSENTENT LE SEUL ET UNIQUE RECOURS DU CLIENT ET REMPLACENT TOUT AUTRE RECOURS, GARANTIE, OU RESPONSABILITÉ, EXPRESSE OU IMPLICITE, AUXQUELS LE CLIENT RENONCE EXPRESSÉMENT. IL N'Y A AUCUNE GARANTIE DÉPASSANT LA DESCRIPTION QUI SUIT. LA RESPONSABILITÉ DE BROAN NE SAURAIT EN AUCUN CAS DÉPASSER LA VALEUR DU PRIX D'ACHAT DU PRODUIT. DE PLUS, BROAN DÉCLINE TOUTE RESPONSABILITÉ QUANT AUX DOMMAGES SPÉCIAUX, INDIRECTS, ACCESSOIRES OU CONSÉCUTIFS, DE QUELQUE NATURE QUE CE SOIT.

Broan se réserve le droit de modifier, altérer ou améliorer tout produit ou équipement qu'elle fabrique sans avoir le devoir ni l'obligation de modifier, altérer, améliorer ou remplacer aucun des produits couverts par la présente.

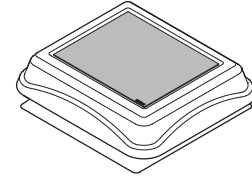
CETTE GARANTIE ÉNONCE L'ENTENTE FINALE, COMPLÈTE ET EXCLUSIVE ENTRE LES PARTIES AU SUJET DES PRODUITS AINSI QUE LES OBLIGATIONS DE BROAN EN MATIÈRE DE GARANTIE. AUCUNE AFFIRMATION RELATIVE À DES FAITS, NI PROMESSE, DESCRIPTION, DÉMONSTRATION, EXEMPLE OU MODÈLE NE CONSTITUE UNE GARANTIE NI AUTREMENT NE MODIFIE, NE COUVRE OU N'ALTÈRE CETTE GARANTIE, À MOINS QUE CE SOIT DANS UN INSTRUMENT ÉCRIT, SIGNÉ PAR UN RESPONSABLE AUTORISÉ PAR BROAN.

Cette garantie est soumise et doit être interprétée conformément aux lois de l'État du Wisconsin. Toute action en justice découlant de cette garantie ou y étant associée doit avoir lieu dans le comté de Washington, Wisconsin.

Broan-NuTone LLC Hartford, Wisconsin www.broan-nutone.com 800-558-1711

VENTILADOR SOLAR PARA ÁTICO DE MONTAJE EN EL TECHO

Página 13



LEA Y CONSERVE ESTAS INSTRUCCIONES

ADVERTENCIA

PARA REDUCIR EL RIESGO DE INCENDIOS, DESCARGAS ELÉCTRICAS O LESIONES PERSONALES, SIGA LAS SIGUIENTES PRECAUCIONES:

1. Use la unidad solo de la manera indicada por el fabricante. Si tiene preguntas, comuníquese con el fabricante a la dirección o al número telefónico que se incluye en la garantía.
2. Antes de dar servicio o de limpiar la unidad, desactive el ventilador cubriendo el panel solar con cartón o desconectando los cables de las terminales del motor (tome nota de las ubicaciones de los cables al desconectarlos).
3. Una o más personas calificadas deben realizar el trabajo de instalación, de acuerdo con todos los códigos y normas correspondientes, incluidos los códigos y las normas de construcción específicos de protección contra incendios.
4. Si va a quitar un ventilador eléctrico para ático de 120 VCA ya existente, sólo personas calificadas deben quitar el cableado eléctrico, de acuerdo con todos los códigos y las normas correspondientes.
5. Es necesario suficiente aire para que se lleve a cabo una combustión y una extracción adecuadas de los gases a través del tubo de humos (chimenea) del equipo quemador de combustible, con el fin de evitar el contratiempo. Siga las directrices y las normas de seguridad del fabricante del equipo de calefacción, como las publicadas por la Asociación Nacional de Protección contra Incendios (National Fire Protection Association, NFPA), y la Sociedad Americana de Ingenieros en Calefacción, Refrigeración y Aire Acondicionado (American Society for Heating, Refrigeration and Air Conditioning Engineers, ASHRAE), y las autoridades de los códigos locales.
6. Al cortar o perforar a través de la pared o del techo, tenga cuidado de no dañar el cableado eléctrico ni otros servicios ocultos.

PRECAUCIÓN

1. Solo para usarse como medio de ventilación general. No debe usarse para la extracción de materiales o vapores peligrosos o explosivos.
2. Para evitar daños a los cojinetes del motor y rotores ruidosos o desbalanceados, mantenga la unidad de potencia protegida contra rociados de yeso, polvos de construcción, etc.
3. Esta unidad tiene un impulsor sin protección. No lo use en sitios fácilmente accesibles para personas o animales.
4. Este ventilador se acciona cuando el panel solar se expone a la luz del sol. Para reducir el riesgo de lesiones mientras instala, da servicio o limpia la unidad, cubra el panel solar con cartón o desconecte los cables de las terminales del motor (tome nota de las ubicaciones de los cables cuando los desconecte).
5. La entrada de aire abierta recomendada para este ventilador es de 2 pies cuadrados (0.19 metros cuadrados). La mejor ubicación para estas ventilaciones de admisión de aire es debajo de los aleros con acceso directo al ático. De no suministrar estas entradas se podría ocasionar que se invierta la corriente natural de los electrodomésticos de gas.
6. La instalación de su ventilador para ático creará una abertura con malla hacia el espacio de su ático. Si hubiera una lluvia muy intensa podría provocarse un ligero rociado de la lluvia en este espacio del ático. Esta situación es normal con todos los ventiladores de ático y no provocará daños a la estructura. Le recomendamos que no guarde artículos de valor directamente debajo de la abertura del ventilador en el techo.
7. Este ventilador está diseñado para instalarse en el techo. Los ventiladores para montaje en hial Broan Modelos 353, 345GOBK y 345GOWW están disponibles para aplicaciones en muros laterales.
8. El domo del ventilador y la base de plástico se pueden pintar con pintura de alta calidad. Siga las recomendaciones del fabricante de pintura

PRECAUCIÓN

- para el acrílico y el plástico ABS, según corresponda. Tenga cuidado de evitar que le caiga pintura al panel solar.
9. Este ventilador incluye un motor lubricado permanentemente. No lo lubrique ni lo desarme.
 10. Las instrucciones de instalación contenidas en este documento son solamente recomendaciones, y cada profesional en particular puede tener sus propios métodos de instalación. Si el techo ya cuenta con una garantía, la instalación de este producto realizada por otra persona diferente al instalador del techo puede poner en riesgo cualquier reclamo de garantía en el futuro. Verifique con el instalador original del techo por si esto fuera motivo de preocupación.
 11. Cuando trabaje con tejas de asfalto en clima frío (por debajo de 40 °F (4 °C)), tenga cuidado de no dañar los bordes y las esquinas de las tejas.
 12. Para las instalaciones en climas donde la condensación fría no es una preocupación, Modelo Broan CWT45 termostato esté disponible. Se desconecta la electricidad al motor cuando la temperatura disminuye por debajo de 50 °F (10 °C). Cuando la temperatura alcanza 61 °F (16 °C) se aplica electricidad al motor.
 13. Se aconseja llevar guantes y gafas de protección durante la instalación, el mantenimiento o la limpieza del aparato para reducir el riesgo de lesiones causadas por la presencia de metal delgado y/o de piezas móviles en altura.
 14. Si el ventilador emite un ruido excesivo o si se observan sonidos anormales o un olor a humo, desconectar la fuente de alimentación y póngase en contacto con el servicio al cliente.

Si se utiliza este ventilador para ventilar un garaje :

- A. Utilizarlo solamente en el garaje de una casa unifamiliar
- B. Instalar en un circuito protegido por un GFCI (interruptor accionado por pérdida de conexión a tierra)
- C. Para contribuir a reducir los riesgos impuestos por altas concentraciones de vapor de pintura, de cola, de disolventes y de combustibles, instalar el ventilador al menos a 0,5 m (18 pulgadas) del suelo
- D. NUNCA dejar en funcionamiento el motor de un coche en un garaje. NUNCA usar un aparato de combustión en un garaje. El monóxido de carbono podría alcanzar un nivel peligroso, incluso mortal. El uso de este ventilador de garaje o la apertura de puertas y ventanas no permitirán un suministro suficiente de aire fresco para eliminar el peligro.
- E. Activar periódicamente cuando el medio ambiente es salino
- F. Una limpieza con mayor frecuencia podría ser necesaria debido al medio ambiente potencialmente sucio

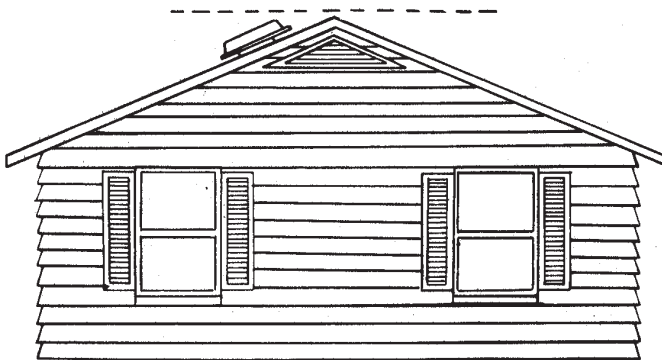
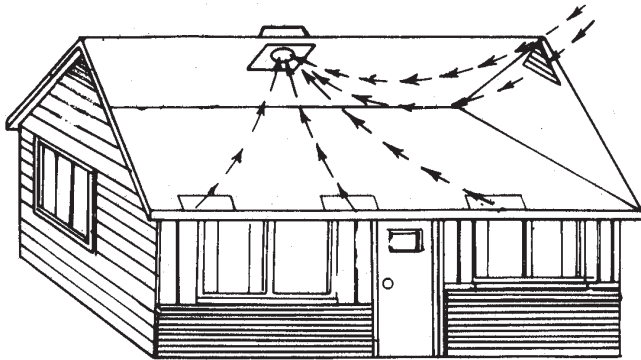
Registre su producto en el sitio web
www.broan-nutone.com/register

HERRAMIENTAS Y MATERIALES REQUERIDOS

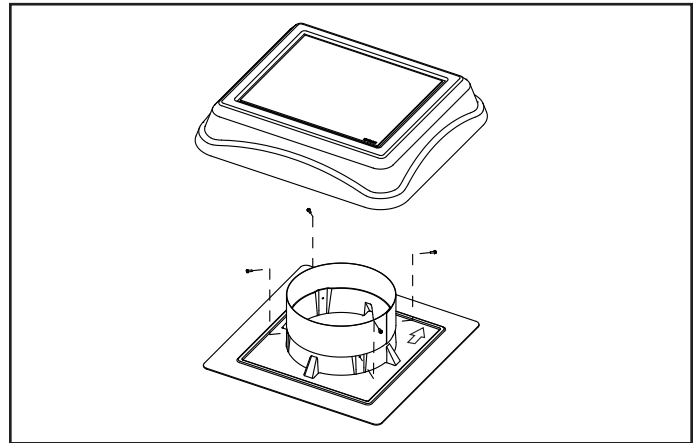
- | | |
|---|---|
| <input type="checkbox"/> Taladro | <input type="checkbox"/> Barra de palanca (para quitar los clavos del techo) |
| <input type="checkbox"/> Broca para taladro de 1/4 pulg. | <input type="checkbox"/> Dado de 5/16 pulg. y extensión |
| <input type="checkbox"/> Sierra de vaivén o sierra de calar | <input type="checkbox"/> Cemento para techo |
| <input type="checkbox"/> Martillo | <input type="checkbox"/> Tornillos para madera galvanizados de cabeza plana #10 x 1 pulg. |
| <input type="checkbox"/> Regla/cinta de medir | |
| <input type="checkbox"/> Lápiz o marcador | |
| <input type="checkbox"/> Navaja utilitaria | |

INSTALACIÓN

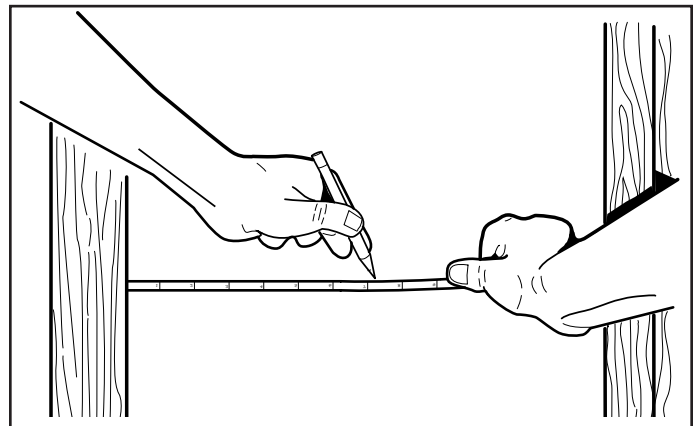
Nota: Este ventilador tiene capacidad para reemplazar un ventilador para ático existente de 120 voltios. Sólo el personal calificado debe quitar el cableado eléctrico de acuerdo con los códigos y las normas locales.



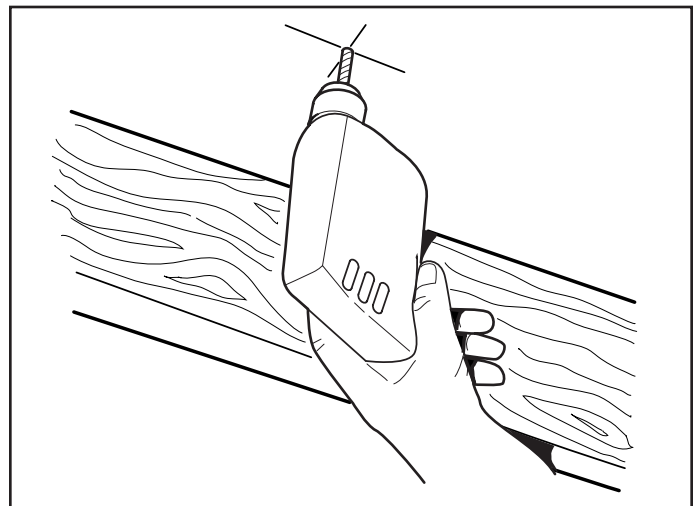
1. Determine la ubicación del techo con la mejor exposición al sol y que no tenga sombra (de árboles, otros edificios, etc.) a las 4:00 p.m. en el mes más cálido del año. Por lo general, recomendamos un punto situado de 24 a 36 pulg. (61 a 91 cm) por debajo del punto más alto del techo y centrado a lo largo de la línea del reborde sobre el lado sur, suroeste u oeste de la casa.
2. Antes de realizar la instalación, recomendamos configurar el ventilador para verificar el funcionamiento. Lleve el ventilador a un sitio expuesto al sol. Quitar la cubierta de cartón del panel solar debe hacer que el ventilador funcione. Asegure el cartón en su lugar sobre el panel solar (por seguridad).



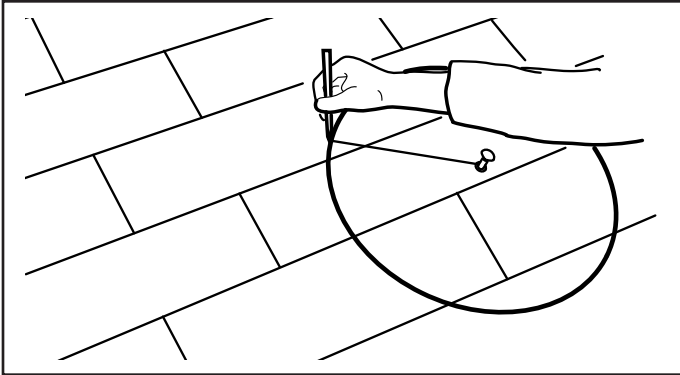
3. Separe el domo de la base quitando los cuatro (4) tornillos para lámina metálica. Deje el domo a un lado.



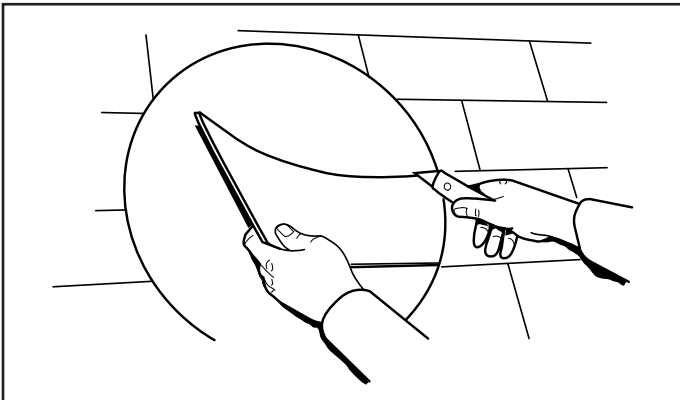
4. Desde el interior del ático, encuentre la ubicación deseada para el ventilador y marque un punto a la mitad entre las vigas, que se encuentre de 24 a 36 pulg. (61 a 91 cm) debajo del saliente del techo.



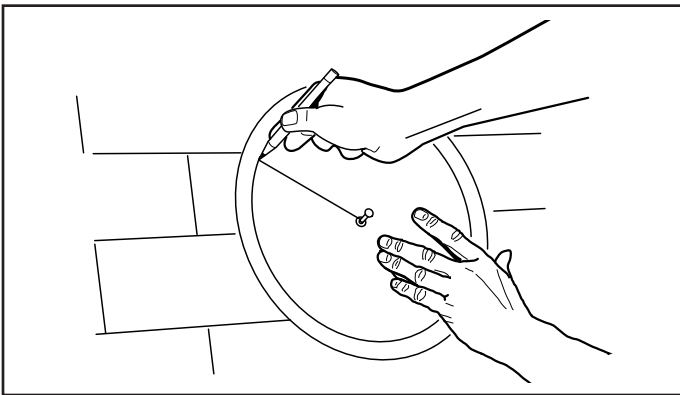
5. Haga un orificio guía a través del techo en esta marca.



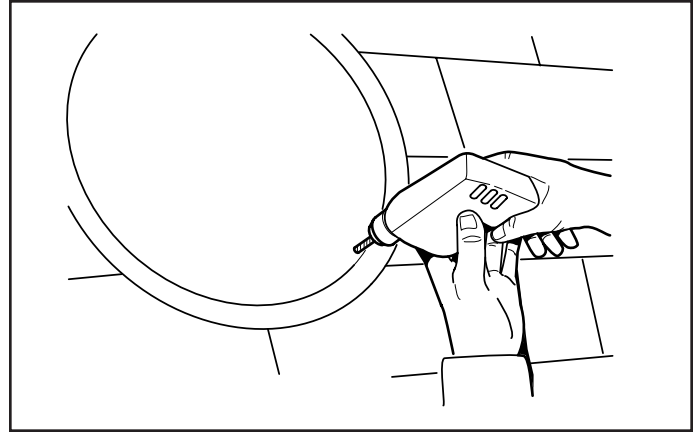
6. Desde el lado del techo, usando el orificio guía como punto central, use un clavo y un cordón para marcar un círculo de 16 1/2 pulg. (42 cm) de diámetro sobre las tejas. Nota: Si reemplaza un ventilador existente, el diámetro del orificio puede ser mayor de 16 1/2 pulg. (42 cm). Esto es aceptable, siempre y cuando el material del techo se traslapa al ventilador por lo menos 2 pulg. (5 cm) en todos los lados.



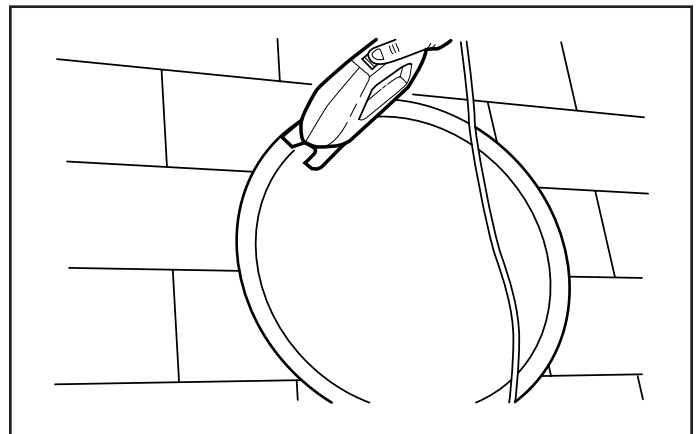
7. Recorte las tejas dentro del círculo.



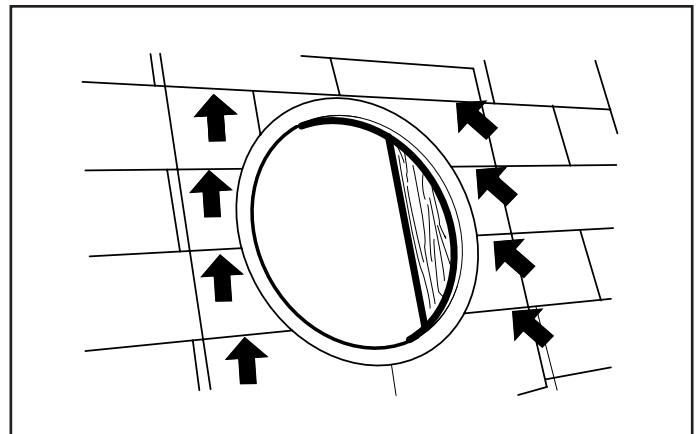
8. Usando el mismo clavo y el cordón indicados en el paso 6, marque un círculo de 14 pulg. (35.6 cm) de diámetro sobre el papel negro o la cubierta del techo. Nota: Si reemplaza un ventilador existente, el diámetro del orificio puede ser mayor de 14 pulg. (35.6 cm). Esto es aceptable, siempre y cuando la base del ventilador tenga un buen soporte en la cubierta del techo.



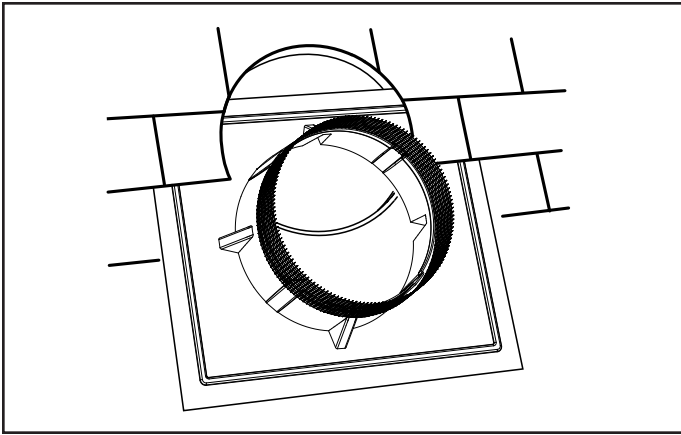
9. Perfore un orificio iniciador grande para la sierra de vaivén, justo dentro de la línea o del círculo de 14 pulg. (35.6 cm) creado en el paso 8.



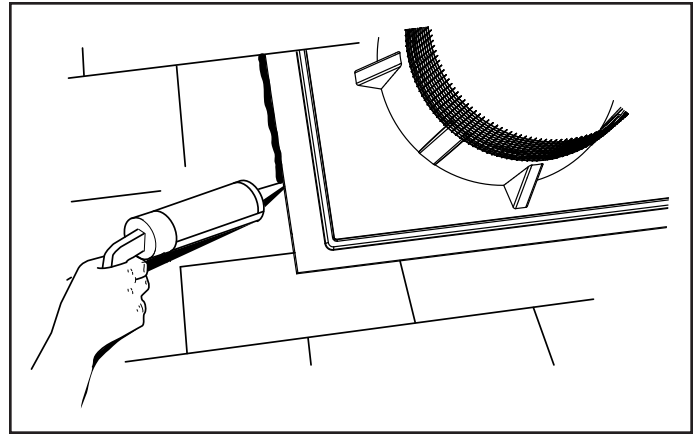
10. Recorte las tablas del techo dentro de la línea.



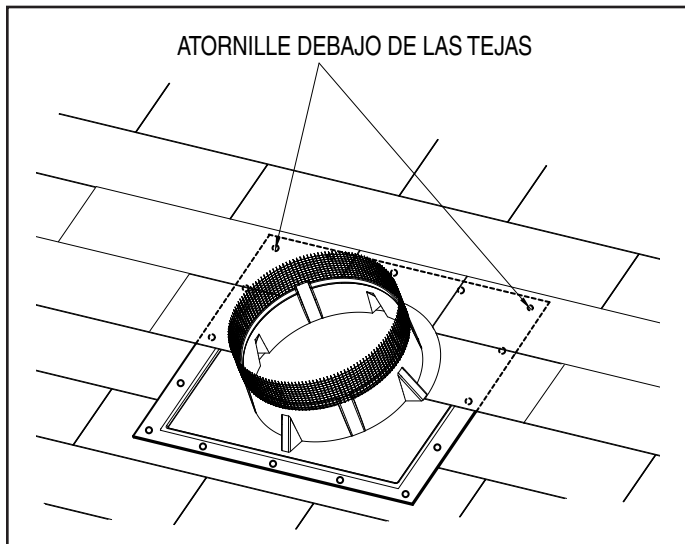
11. Para poder quitar adecuadamente los clavos del techo, dibuje un cuadrado de 27 pulg. (68.6 cm) centrado alrededor del orificio. Retire los clavos que sostienen las tejas desde los dos tercios superiores del cuadrado.



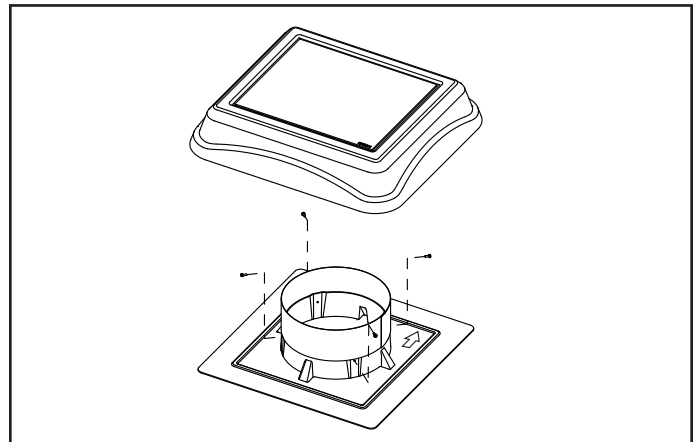
12. Aplique un cordón grande de cemento para techo en la ranura moldeada en la parte inferior de la base del ventilador. Asegúrese de que la base del ventilador esté paralela a la saliente del techo, inicie en los dos tercios inferiores del cuadrado de 27 pulg. (68.6 cm) y deslice la base del ventilador debajo de las tejas. No doble las tejas más de lo necesario. Centre la base del ventilador sobre el orificio.



14. Con un buen cemento con grado para techo selle todas las tejas y las cabezas de los tornillos. NO selle el borde inferior de la base del ventilador.

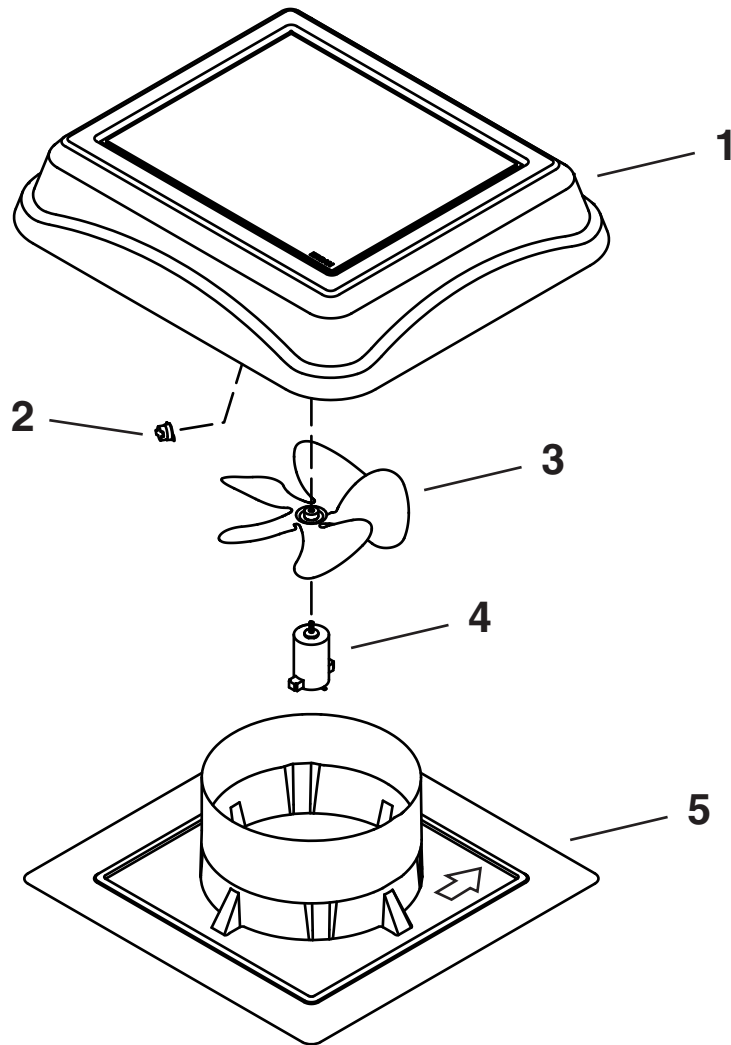


13. Asegúrese de que la base del ventilador esté paralela a la saliente del techo, y con cuidado levante las tejas y atornille la base firmemente al techo usando tornillos para madera galvanizados cabeza aplanada #10 x 1 pulg. Atornille todas las esquinas y alrededor del perímetro de la base cada 6 pulgadas (15 cm).



15. Coloque el domo del ventilador por lo que los puntos principales hacia el caballete del tejado. Instale el domo sobre la base del ventilador usando los cuatro (4) tornillos de lámina metálica que quitó en el paso 3. Quite el cartón del panel solar y asegúrese de que el ventilador funcione.

PIEZAS DE SERVICIO



Ahora se pueden hacer los pedidos de las piezas de repuesto en nuestro sitio Web. Visítenos en www.broan-nutone.com

Clave N.º	Modelo 345SOBK (Negro)	Modelo 345SOWW (Madera curtida)	Descripción
1	77001311	77001313	Conjunto del panel solar (domo)
2	CWT45	CWT45	Termostato (opcional)
3	79020041	79020041	Aspa del ventilador con tornillo de fijación
4	79080082	79080082	Motor, CC
5	77001284	77001287	Panel de hoja del techo

GARANTÍA

BROAN-NUTONE LLC
– Garantía limitada exclusiva –

El Convenio de Garantía Limitada Exclusiva (la "Garantía") se celebra entre el Cliente y Broan-NuTone LLC ("Broan"). El Cliente ha revisado cuidadosamente esta Garantía y está de acuerdo en que el desempeño de las obligaciones de Broan al amparo de este documento brindará al Cliente un remedio adecuado que servirá para el propósito esencial del acuerdo de las partes relacionado con los productos fabricados por Broan e identificados al reverso de la presente (los "Productos"). El Cliente reconoce y acepta que está comprando los Productos para fines residenciales (y no para fines industriales o comerciales) después de una cuidadosa inspección de los mismos. Los derechos y los beneficios del Cliente al amparo de este documento incumben exclusivamente al Cliente como comprador original de los Productos, y no se pueden ceder ni transferir. Ninguna otra parte o entidad, lo cual incluye, entre otros, a los compradores o propietarios subsiguientes de los Productos, tendrá derecho de hacer valer ningún derecho o beneficio al amparo de la presente.

GARANTÍA LIMITADA EXCLUSIVA; LIMITACIÓN DE REMEDIOS. Por la presente, Broan garantiza al Cliente que los motores de los Productos están y se mantendrán por un periodo de dos (2) meses a partir de la fecha de entrega al Cliente; y que los productos están y se mantendrán por un periodo de seis (6) años a partir de la fecha de entrega al Cliente (de manera colectiva, el "Periodo de garantía"), libre de defectos en materiales y mano de obra, siempre y cuando dichos Productos se usen para el propósito para el que fueron diseñados y reciban el servicio adecuado de conformidad con el Manual del usuario que se entregó al Cliente. Sujeto a lo anterior, si en algún momento durante el Periodo de garantía, algún Producto deje de apegarse a la garantía anterior por una razón de defecto en materiales o mano de obra, el Cliente deberá notificar adecuadamente por escrito a Broan, e incluir con dicho aviso un recibo de venta o un comprobante de compra del Producto defectuoso, y Broan, a su discreción, reparará o reemplazará el Producto o componente defectuoso sin cargo al Cliente, excepto por: (A) Costos incurridos en el transporte de los Productos o piezas componentes hacia y desde el distribuidor designado por Broan o su planta de manufactura en Hartford, Wisconsin; y (B) Cargos por mano de obra u otros costos incidentales al retiro o remontaje de piezas componentes reparadas o reemplazadas al amparo de esta Garantía; ambos correrán a cargo del Cliente. No obstante cualquier disposición en la presente que señale otra cosa, esta Garantía no se ampliará para Broan ni la obligará a tomar medida alguna con respecto a: (A) Productos que hayan sido modificados, alterados, instalados, usados u operados de una manera que no sea recomendada por Broan, incluyendo cualesquiera Productos en los cuales se hayan instalado piezas no fabricadas ni aprobadas por Broan; (B) Productos que no hayan recibido el servicio de manera regular o adecuada de acuerdo con el Manual del usuario, o que de otra manera se hayan desatendido; y (C) El uso y desgaste, servicio y mantenimiento, y elementos de reemplazo ordinarios. **ESTA GARANTÍA SE APLICA ÚNICAMENTE A MAQUINARIA, EQUIPO Y PIEZAS COMPONENTES FABRICADAS POR BROAN. ESTA GARANTÍA NO SE APLICA NI EXTIENDE A: (A) PIEZAS COMPRADAS POR SEPARADO DE DICHA MAQUINARIA Y EQUIPO, CUBIERTAS POR UNA GARANTÍA ESCRITA POR SEPARADO; O (B) ELEMENTOS DEL EQUIPO O ACCESORIOS FABRICADOS POR ENTIDADES AJENAS A BROAN.**

EXCEPTO COMO SE DECLARE ESPECÍFICAMENTE EN EL PÁRRAFO INMEDIATO ANTERIOR, BROAN NO OTORGA GARANTÍA NI HACE UNA DECLARACIÓN, EXPRESA O IMPLÍCITA QUE INCLUYA, SIN LIMITACIONES, ALGUNA GARANTÍA DE COMERCIALIZACIÓN O APTITUD PARA UN FIN EN PARTICULAR. LA GARANTÍA ESTABLECIDA EN EL PÁRRAFO ANTERIOR Y LAS OBLIGACIONES Y RESPONSABILIDADES DE BROAN SEGÚN ESTE DOCUMENTO REPRESENTAN LOS ÚNICOS Y EXCLUSIVOS REMEDIOS DEL CLIENTE, Y ESTÁN EXPRESAMENTE EN LUGAR DE CUALQUIERA Y TODOS LOS DEMÁS REMEDIOS, GARANTÍAS O RESPONSABILIDADES, EXPRESOS O IMPLÍCITOS, Y DE TODOS LOS CUALES EL CLIENTE SE EXIME EXPRESAMENTE. NO HAY GARANTÍAS QUE SE EXTIENDAN MÁS ALLÁ DE LA DESCRIPCIÓN DEL TEXTO DE LA PRESENTE. EN NINGÚN CASO, LA RESPONSABILIDAD DE BROAN AL AMPARO DE LA PRESENTE EXCEDERÁ EL PRECIO DE COMPRA DE LOS PRODUCTOS. ADEMÁS, BROAN NO SERÁ RESPONSABLE DE DAÑOS ESPECIALES, INDIRECTOS, INCIDENTALS O DE CONSECUENCIA DE NINGUNA NATURALEZA EN LO ABSOLUTO.

Broan se reserva el derecho de modificar, alterar o mejorar cualquier producto o equipo fabricado por Broan sin incurrir en ningún deber u obligación de modificar, alterar, mejorar o reemplazar cualquiera de los productos cubiertos por la presente.

ESTA GARANTÍA ESTABLECE EL ACUERDO FINAL, COMPLETO Y EXCLUSIVO DE LAS PARTES RELACIONADO CON LOS PRODUCTOS Y LAS OBLIGACIONES DE GARANTÍA DE BROAN. NINGUNA AFIRMACIÓN DE HECHO, PROMESA, DESCRIPCIÓN, DEMOSTRACIÓN, MUESTRA O MODELO CONSTITUYE UNA GARANTÍA NI DE OTRA MANERA MODIFICA, EXTIENDE O ALTERA ESTA GARANTÍA, A MENOS QUE SEA MEDIANTE UN INSTRUMENTO POR ESCRITO FIRMADO POR UN FUNCIONARIO AUTORIZADO DE BROAN.

Esta Garantía estará regida e interpretada de conformidad con las leyes del estado de Wisconsin. El medio para cualquier acción que surja o se relacione con esta Garantía deberá ser en el Condado de Washington, Wisconsin.

Broan-NuTone LLC Hartford, Wisconsin www.broan-nutone.com 800-558-1711