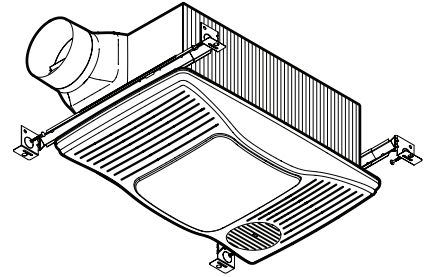


MODEL 100HL VENTILATION FAN WITH LIGHT AND HEATER



FEATURES

GRILLE & LIGHTING:

- White polymeric grille
- Snap-in light diffusing lens
- Bright incandescent lighting, uses one 100-watt (max.) A19 lamp

VENTILATOR:

- Resilient anti-vibration mounts
- Plug-in, permanently lubricated motor
- High performance blower wheel

HEATER:

- 1500 watts, with metal blower wheel for efficient, even heating
- Rotatable heater grille - direct heat where needed
- Plug-in, permanently lubricated motor - functions independent of ventilator

HOUSING:

- Rugged galvanized steel housing
- Polymeric, 4" round damper/duct connector
- 5-7/8" height allows for 2" x 6" (nominal) joist installations
- Sturdy, easy, four-point mounting direct to joist
- Hanger bars allow housing to be positioned anywhere between 16" to 24"-on-center joists
- Suitable for use in insulated ceilings (Type I.C.).
- Use Model 66V (Ivory) / 66W (White) Three Function Control

NOTE: This product must be mounted in a flat ceiling only. Installation in ceilings 9-foot high or less will provide maximum comfort. Do not mount this product in a wall.

SPECIFICATIONS

MODEL	VOLTS	AMPS	STATIC PRESSURE	CFM	SONES	DUCT
100HL	120	14.0 *	0.10	100	2.0	4" Round
			0.25	85		

* Requires a dedicated 20-Amp circuit.



HVI-2100 CERTIFIED RATINGS comply with new testing technologies and procedures prescribed by the Home Ventilating Institute, for off-the-shelf products, as they are available to consumers. Product performance is rated at 0.1 in. static pressure, based on tests conducted in a state-of-the-art test laboratory. Sones are a measure of humanly-perceived loudness, based on laboratory measurements.



TYPICAL SPECIFICATION

Combination unit shall be Broan Model 100HL.

Unit shall have galvanized steel housing and adjustable mounting brackets.

Unit must be rated to handle a 100-watt (max.) lamp.

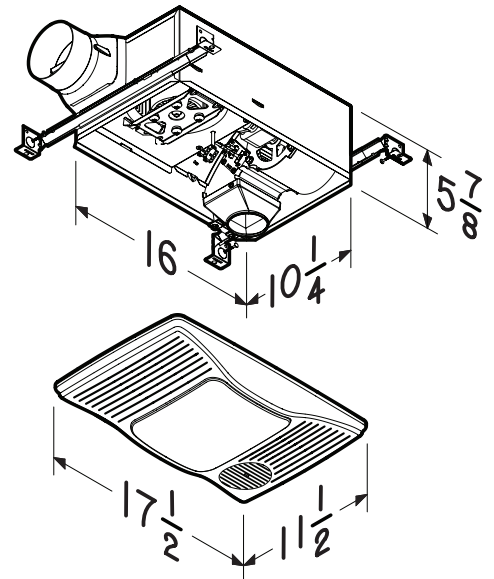
Fan, heater, and light shall be separately controllable. Motor shall be permanently lubricated.

Heater to deliver 1500 Watts of fan-forced heat.

Air delivery shall be no less than 100 cfm and sound levels no greater than 2.0 sones. All air and sound ratings shall be certified by HVI.

Unit shall be UL listed.

Combination unit to be suitable for use in insulated ceilings. (Type I. C.)



Broan-NuTone LLC Hartford, Wisconsin www.broan.com 800-558-1711

REFERENCE	QTY.	REMARKS	Project
			Location
			Architect
			Engineer
			Contractor
			Submitted by
			Date