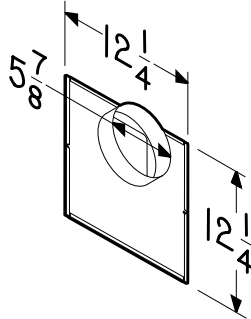
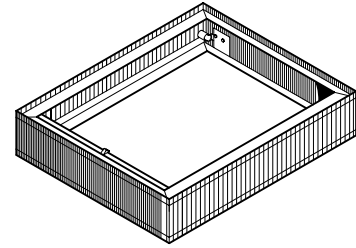
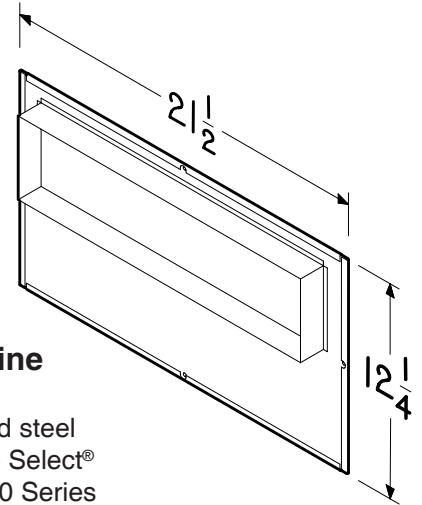


LOSONE SELECT® VENTILATOR ACCESSORIES



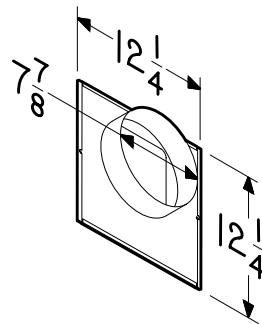
Model 961L In-Line Adapter Kit

- 24 gage galvanized steel
- Fits Broan LoSone Select® L100 & L150 Series 6" round duct intake



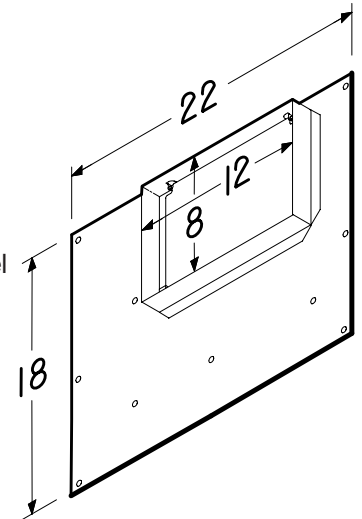
Model 982L In-Line Adapter Kit

- 24 gage galvanized steel
- Fits Broan LoSone Select® L400, L500, & L700 Series 4 1/2" x 18 1/2" duct intake



Model 981L In-Line Adapter Kit

- 24 gage galvanized steel
- Fits Broan LoSone Select® L200, L250, & L300 Series 8" round duct intake

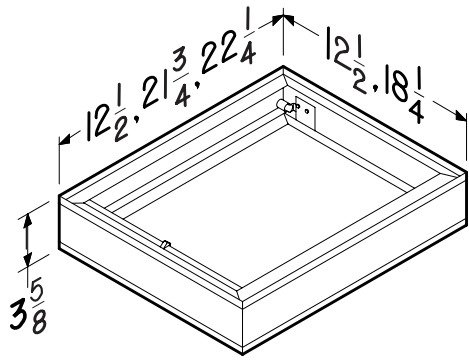


Model 983L In-Line Adapter Kit

- 24 gage galvanized steel
- Fits Broan LoSone Select® L900, L1500 Series 8" x 12" duct intake

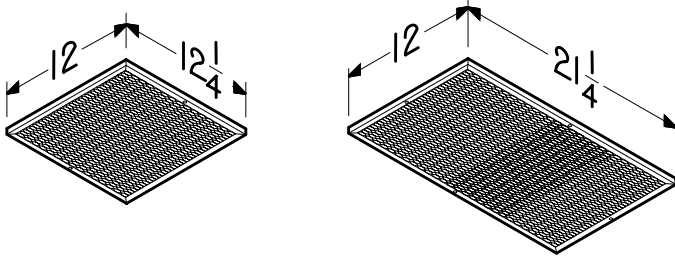
Broan-NuTone LLC, 926 West State Street, Hartford, Wisconsin 53027 (1-800-637-1453)
 Broan-NuTone Canada, Inc., 1140 Tristar Drive, Mississauga, Ontario, L5T 1H9 (1-888-882-7626)

REFERENCE	QTY.	REMARKS	Project
			Location
			Architect
			Engineer
			Contractor
			Submitted by
			Date



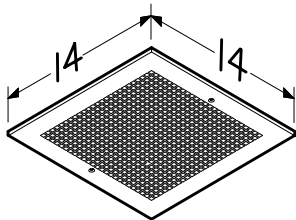
Models RD1, RD2, & RD3 Radiation Dampers

- UL rated for use in 1, 2, or 3 hour fire-rated ceilings
- Galvanized steel frame
- High temperature, non-asbestos, reinforced fiber thermal fabric
- 212°F fusible link
- Stainless steel negator-type closure spring
- RD1 (12½" x 12½") fits Broan LoSone Select® L100, L150, L200, L250, & L300 Series
- RD2 (21¾" x 12½") fits Broan LoSone Select® L400, L500, L700 Series
- RD3 (22¼" x 18¼") fits Broan LoSone Select® L900, L1500 Series



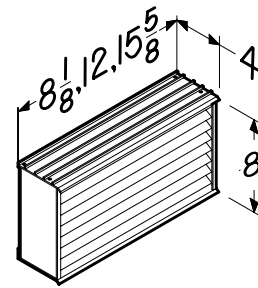
Models LAF1 & LAF2 Grease Filters

- Aluminum mesh filter traps grease and protects motor
- Dishwasher safe
- LAF1 (12" x 12¼") fits Broan LoSone Select® L300KMG
- LAF2 (12" x 21¼") fits Broan LoSone Select® L400K & L500K



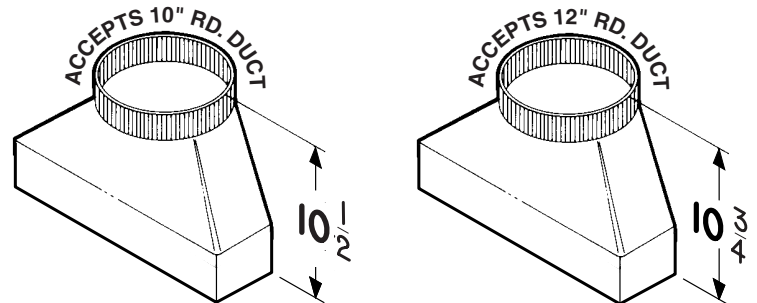
Model MG1 Metal Grille Kit

- 20 gage white enamel painted steel
- Mounting screws included
- Fits Broan LoSone Select® L100, L150, L200, L250, & L300 Series



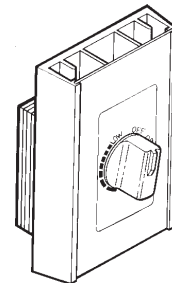
Models BV8, BV12, & BV16 Brick Vents

- Designed for installation in masonry walls
- Anodized aluminum construction
- Built-in aluminum mesh insect screen
- BV8 (8" x 8⅛" x 4")
- BV12 (8" x 12" x 4")
- BV16 (8" x 15⅝" x 4")



Models 423 & T81212 Duct Transitions

- Galvanized steel
- Allows for quick transition to easy-to-obtain-and-install round ducting
- 423 (4½" x 18½" to 10" round) for use with Broan LoSone Select® L400, L500, & L700 Series
- T81212 (not shown) (8" x 12" to 12" round) for use with Broan LoSone Select® L900, L1500 Series



Model 277V

Solid State Electronic Speed Control

- For use with all 277 VAC LoSone Select® Series Ventilators with "C" model number suffix (L100C, L150C, etc.)
- Rotary dial for variable selection of fan speed and sound level
- Positive on/off action
- Fits single-gang box
- Built-in radio noise suppressor
- For use with shaded pole or permanent split capacitor motors up to 6 Amps
- Do not use with impedance protected motor

