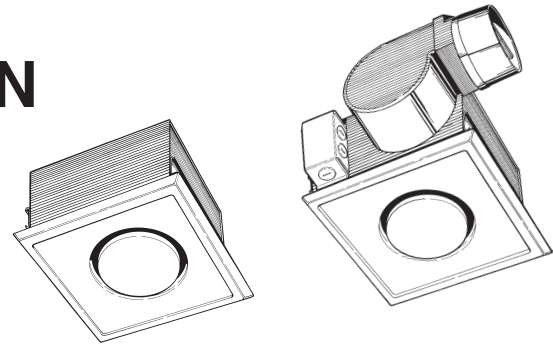


MODELS 9412D & 9417DN INFRARED BULB HEATERS



Silent warmth and the choice of added ventilation in a compact design.

FEATURES

- White-white polymeric grille
- Sturdy steel housing
- Adjustable mounting brackets that span up to 24"
- Housing can be adjusted vertically after ceiling is finished
- Uses 250W BR40-size infrared bulb (not included)
- May be used with the following controls:
 - Model 59W/V, 60-Minute Time Control
 - Model 61W/V, 15-Minute Time Control
 - Model 63W/V, 60-Minute Time Control w/ Toggle Switch
 - Model 64W/V, Heater-Fan Control w/Off Delay
 - Model 68W/V, Two-Function Control (Model 9417DN only)

MODEL 9417DN BULB HEATER/FAN ONLY:

- Plug-in, permanently lubricated motor
- Quiet, polymeric blower wheel
- Polymeric damper/duct connector with 1-5/8" long tapered sleeve and no metallic clatter
- Heat and Vent functions may be controlled separately or in combination
- Model 9417DN suitable for use in insulated ceilings (Type I.C.)

SPECIFICATIONS

MODEL	VOLTS	AMPS	WATTS*	SONES	CFM	DUCT
9412D	120	2.1	250**	----	----	----
9417DN	120	2.5	300**	4.0	70	4" Round

* Total Connected Load

** BR40-size Infrared Bulbs. Use house wiring rated 75°C min. for Model 161, 60°C min. for Model 9417DN.



HVI-2100 CERTIFIED RATINGS comply with new testing technologies and procedures prescribed by the Home Ventilating Institute, for off-the-shelf products, as they are available to consumers. Product performance is rated at 0.1 in. static pressure, based on tests conducted in a state-of-the-art test laboratory. Sones are a measure of humanly-perceived loudness, based on laboratory measurements.

TYPICAL SPECIFICATION

Bulb heater shall be Nutone Model 9412D (Nutone Model 9417DN).

Heater shall have corrosion resistant steel housing and adjustable mounting brackets.

Unit must use a 250W BR40-size infrared bulb. Bulb Heater to be U.L. Listed.

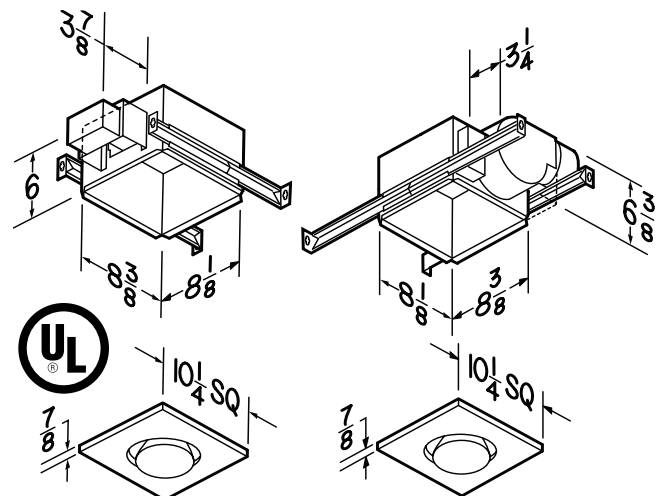
MODEL 9417DN BULB HEATER/FAN ONLY:

Motor assembly to be removable and permanently lubricated.

Non-metallic damper/duct connector to be included.

Heater and ventilator to operate separately (or in combination).

Air delivery shall be no less than 70 CFM and sound level no greater than 4.0 Sones. All air and sound ratings shall be certified by HVI. Model 9417DN suitable for use in insulated ceilings (Type I.C.)



Model 9412D

Model 9417DN

Broan-NuTone LLC, 926 West State Street, Hartford, WI 53027 (1-888-336-3948)

REFERENCE	QTY.	REMARKS	Project	
			Location	Architect
			Engineer	
			Contractor	
			Submitted by	Date