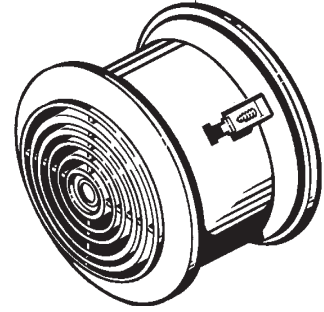


MODEL 512 ROOM-TO-ROOM FAN



Move heated or cooled air through interior walls with this small, yet powerful unit.

FEATURES

GRILLES:

- White polymeric - complement any decor
- Spin-on mounting

MOTOR:

- Plug-in, thermally protected, permanently lubricated
- Quiet, polymeric blade

HOUSING:

- Galvanized steel housing, 24 gage
- Fits walls up to 5-1/8" thick
- Use with Model SC100W Electronic Variable Speed Control - 3 amp

TYPICAL SPECIFICATION

Ventilator shall be Broan Model 512.

Unit shall be installed in an interior wall - NOT through a fire-rated wall.

Unit shall be controlled with a toggle switch (speed control).

Ventilator shall have galvanized steel housing.

Motor assembly shall be removable and permanently lubricated.

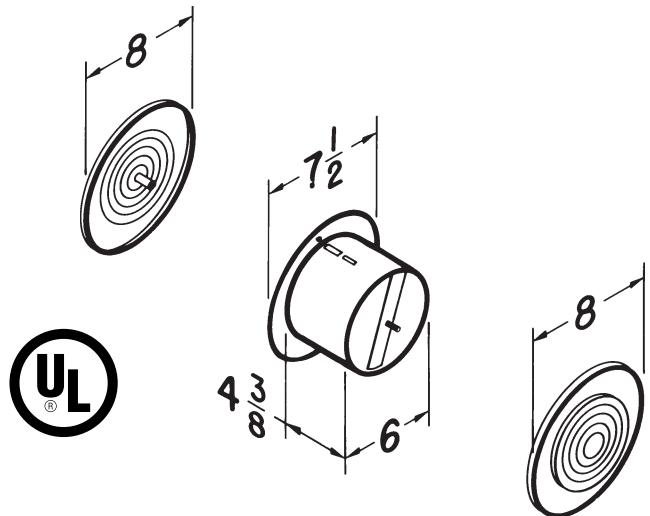
Air delivery shall be no less than 90 CFM and sound level no greater than 4.0 Sones. All air and sound ratings shall be certified by HVI. Unit shall be U.L. Listed.

SPECIFICATIONS

VOLTS	AMPS	RPM	SONES	CFM
120	0.7	2690	4.0	90



HVI-2100 CERTIFIED RATINGS comply with new testing technologies and procedures prescribed by the Home Ventilating Institute, for off-the-shelf products, as they are available to consumers. Product performance is rated at .03 in. static pressure, based on tests conducted in a state-of-the-art test laboratory. Sones are a measure of humanly-perceived loudness, based on laboratory measurements.



Broan Hartford, Wisconsin 53027 www.broan-nutone.com 1-800-558-1711

REFERENCE	QTY.	REMARKS	Project
			Location
			Architect
			Engineer
			Contractor
			Submitted by Date