

Register your product online at:
www.broan.com/register

READ AND SAVE THESE INSTRUCTIONS

WARNING

TO REDUCE THE RISK OF FIRE, ELECTRIC SHOCK, OR INJURY TO PERSONS, OBSERVE THE FOLLOWING:

1. Use this unit only in the manner intended by the manufacturer. If you have questions, contact the manufacturer at the address or telephone number listed in the warranty.
2. Before servicing or cleaning unit, switch power off at service panel and lock the service disconnecting means to prevent power from being switched on accidentally. When the service disconnecting means cannot be locked, securely fasten a prominent warning device, such as a tag, to the service panel.
3. Installation work and electrical wiring must be done by a qualified person(s) in accordance with all applicable codes and standards, including fire-rated construction codes and standards.
4. Sufficient air is needed for proper combustion and exhausting of gases through the flue (chimney) of fuel burning equipment to prevent backdrafting. Follow the heating equipment manufacturer's guideline and safety standards such as those published by the National Fire Protection Association (NFPA), and the American Society for Heating, Refrigeration and Air Conditioning Engineers (ASHRAE), and the local code authorities.
5. When cutting or drilling into wall or ceiling, do not damage electrical wiring and other hidden utilities.
6. Ducted fans must always be vented to the outdoors.
7. Acceptable for use over a tub or shower when connected to a GFCI (Ground Fault Circuit Interrupter) - protected branch circuit (ceiling installation only).
8. This unit must be grounded.

CAUTION

1. For general ventilating use only. Do not use to exhaust hazardous or explosive materials and vapors.
2. This product is designed for installation in ceilings up to a 12/12 pitch (45 degree angle). Duct connector must point up. **DO NOT MOUNT THIS PRODUCT IN A WALL.**
3. To avoid motor bearing damage and noisy and/or unbalanced impellers, keep drywall spray, construction dust, etc. off power unit.
4. Please read specification label on product for further information and requirements.

CLEANING & MAINTENANCE

For quiet and efficient operation, long life, and attractive appearance - lower or remove grille and vacuum interior of unit with the dusting brush attachment.

The motor is permanently lubricated and never needs oiling. If the motor bearings are making excessive or unusual noises, replace the blower assembly (includes motor and impeller).

OPERATION

Use an on/off switch or speed control to operate this ventilator. See "Connect Wiring" for details. Use of speed controls other than the Broan Models 78V and 78W may cause a motor humming noise.

WARRANTY

Limited Warranty

Warranty Period and Exclusions: Broan-NuTone LLC (the "Company") warrants to the original consumer purchaser of its product ("you") that the product (the "Product") will be free from material defects in the Product or its workmanship for a period of three (3) years from the date of original purchase.

The limited warranty period for any replacement parts provided by the Company and for any Products repaired or replaced under this limited warranty shall be the remainder of the original warranty period.

This warranty does not cover speed controls, fluorescent lamp starters, tubes, halogen and incandescent bulbs, fuses, filters, ducts, roof caps, wall caps and other accessories for ducting that may be purchased separately and installed with the Product. This warranty also does not cover (a) normal maintenance and service, (b) normal wear and tear, (c) any Products or parts which have been subject to misuse, abuse, abnormal usage, negligence, accident, improper or insufficient maintenance, storage or repair (other than repair by the Company), (d) damage caused by faulty installation, or installation or use contrary to recommendations or instructions, (e) any Product that has been moved from its original point of installation, (f) damage caused by environmental or natural elements, (g) damage in transit, (h) natural wear of finish, (i) Products in commercial or nonresidential use, or (j) damage caused by fire, flood or other act of God. This warranty covers only Products sold to original consumers in the United States by the Company or U.S. distributors authorized by the Company.

This warranty supersedes all prior warranties and is not transferable from the original consumer purchaser.

No Other Warranties: This Limited Warranty contains the Company's sole obligation and your sole remedy for defective products. The foregoing warranties are exclusive and in lieu of any other warranties, express or implied. **THE COMPANY DISCLAIMS AND EXCLUDES ALL OTHER EXPRESS WARRANTIES, AND DISCLAIMS AND EXCLUDES ALL WARRANTIES IMPLIED BY LAW, INCLUDING WITHOUT LIMITATION THOSE OF MERCHANTABILITY AND FITNESS FOR A PARTICULAR PURPOSE.**

To the extent that applicable law prohibits the exclusion of implied warranties, the duration of any applicable implied warranty is limited to the period specified for the express warranty above. Some states do not allow limitations on how long an implied warranty lasts, so the above limitation may not apply to you. Any oral or written description of the Product is for the sole purpose of identifying it and shall not be construed as an express warranty.

Whenever possible, each provision of this Limited Warranty shall be interpreted in such manner as to be effective and valid under applicable law, but if any provision is held to be prohibited or invalid, such provision shall be ineffective only to the extent of such prohibition or invalidity, without invalidating the remainder of such provision or the other remaining provisions of the Limited Warranty.

Remedy: During the applicable limited warranty period, the Company will, at its option, provide replacement parts for, or repair or replace, without charge, any Product or part thereof, to the extent the Company finds it to be covered by and in breach of this limited warranty under normal use and service. The Company will ship the repaired or replaced Product or replacement parts to you at no charge. You are responsible for all costs for removal, reinstallation and shipping, insurance or other freight charges incurred in the shipment of the Product or part to the Company. If you must send the Product or part to the Company, as instructed by the Company, you must properly pack the Product or part—the Company is not responsible for damage in transit. The Company reserves the right to utilize reconditioned, refurbished, repaired or remanufactured Products or parts in the warranty repair or replacement process. Such Products and parts will be comparable in function and performance to an original Product or part and warranted for the remainder of the original warranty period.

Exclusion of Damages: **THE COMPANY'S OBLIGATION TO PROVIDE REPLACEMENT PARTS, OR REPAIR OR REPLACE, AT THE COMPANY'S OPTION, SHALL BE YOUR SOLE AND EXCLUSIVE REMEDY UNDER THIS LIMITED WARRANTY AND THE COMPANY'S SOLE AND EXCLUSIVE OBLIGATION. THE COMPANY SHALL NOT BE LIABLE FOR INCIDENTAL, INDIRECT, CONSEQUENTIAL OR SPECIAL DAMAGES ARISING OUT OF OR IN CONNECTION WITH THE PRODUCT, ITS USE OR PERFORMANCE.**

Some states do not allow the exclusion or limitation of incidental or consequential damages, so the above limitation or exclusion may not apply to you. This warranty gives you specific legal rights, and you may also have other rights, which vary from state to state.

This warranty covers only replacement or repair of defective Products or parts thereof at the Company's main facility and does not include the cost of field service travel and living expenses.

Any assistance the Company provides to or procures for you outside the terms, limitations or exclusions of this limited warranty will not constitute a waiver of such terms, limitations or exclusions, nor will such assistance extend or revive the warranty.

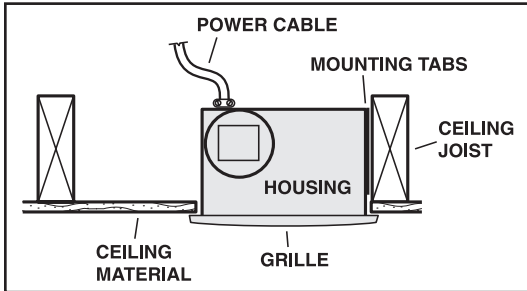
The Company will not reimburse you for any expenses incurred by you in repairing or replacing any defective Product, except for those incurred with the Company's prior written permission.

How to Obtain Warranty Service: To qualify for warranty service, you must (a) notify the Company at the address or telephone number stated below within seven (7) days of discovering the covered defect, (b) give the model number and part identification and (c) describe the nature of any defect in the Product or part. At the time of requesting warranty service, you must present evidence of the original purchase date. If you cannot provide a copy of the original written limited warranty, then the terms of the Company's most current written limited warranty for your particular product will control. The most current limited written warranties for the Company's products can be found at www.broan.com.

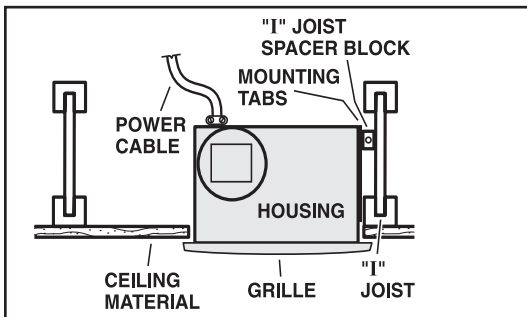
Broan-NuTone LLC 926 West State Street, Hartford, WI 53027
www.broan.com 800-637-1453

Installer: Leave this manual with the homeowner.

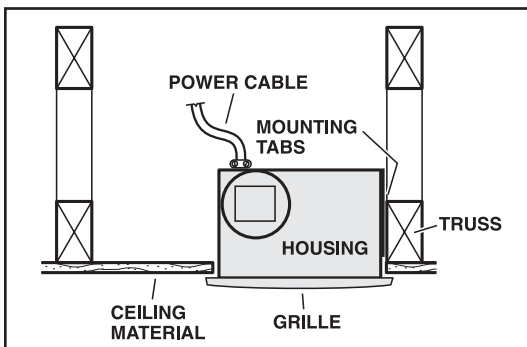
TYPICAL INSTALLATIONS



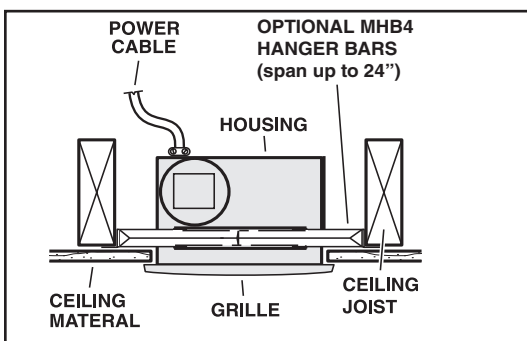
Housing mounted to joists.



Housing mounted to I-joists.
Use I-joist spacer block (provided).

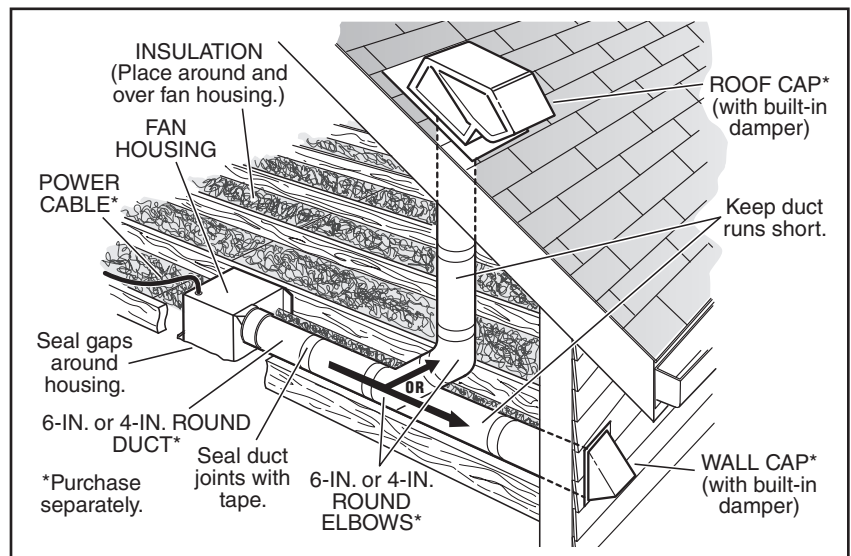
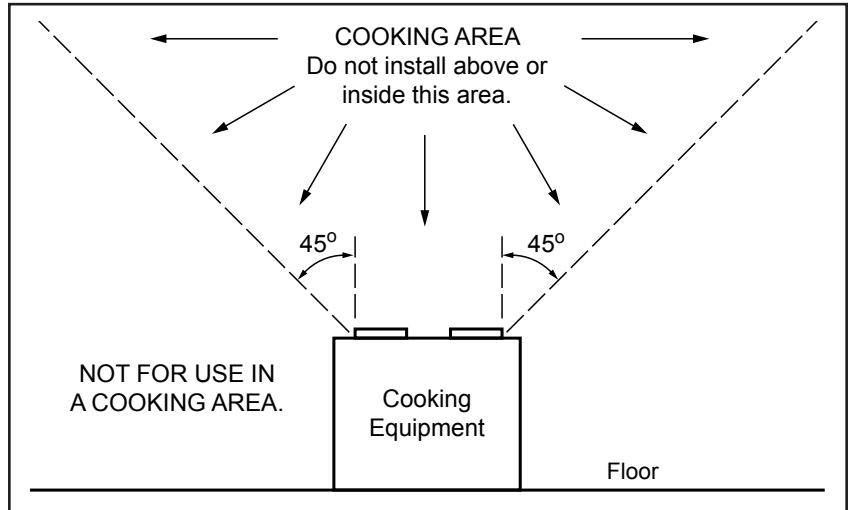


Housing mounted to truss.



To mount housing anywhere between joists, i-joists or trusses, use optional hanger bar kit MHB4 (sold separately). Follow mounting instructions included with kit.

PLAN THE INSTALLATION

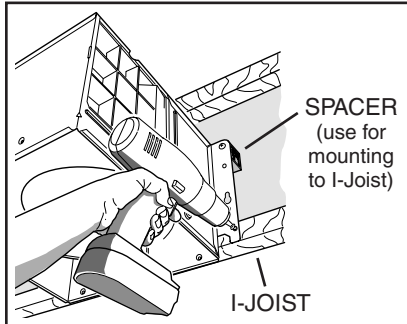


The ducting from this fan to the outside of the building has a strong effect on the air flow, noise and energy use of the fan. Use the shortest, straightest duct routing possible for best performance, and avoid installing the fan with smaller ducts than recommended. Insulation around the ducts can reduce energy loss and inhibit mold growth. Fans installed with existing ducts may not achieve their rated airflow. 6" round metal duct is recommended for best performance.

INSTALL HOUSING & DUCT

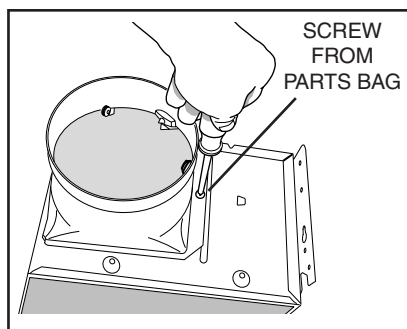
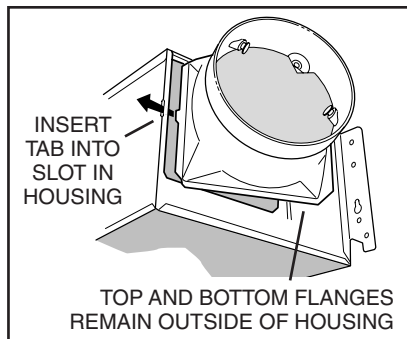
1. Mount housing to joist.

Hold housing in place so that bottom edge of housing will be flush with finished surface of ceiling. For 1/2" thick ceiling material, position bottom of each mounting flange flush with the bottom of joist. The housing mounts with four (4) screws or nails. Screw or nail housing to joist through lowest holes in each mounting flange, then through highest holes. **NOTE:** Mounting to **I-JOIST** (shown) requires use of **SPACERS** (included) between the highest hole of each mounting flange and the I-joist.



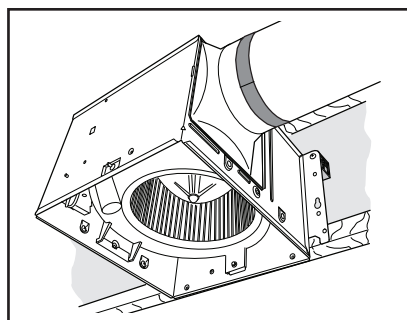
2. Attach damper/duct connector.

If using 4-inch ductwork, install 6" to 4" duct reducer (included) over duct connector.

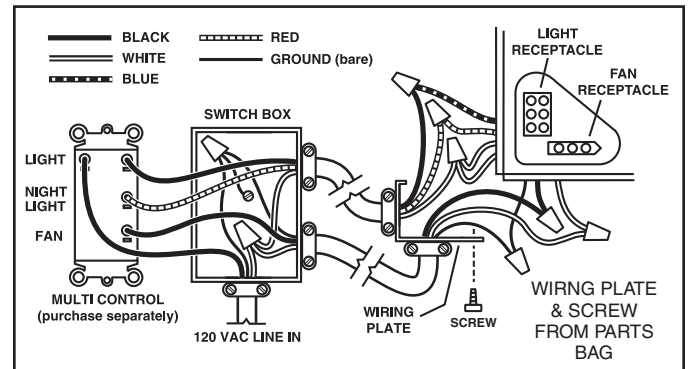
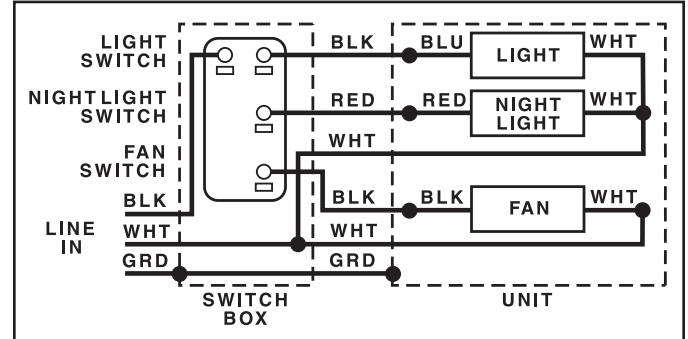


3. Install 6-inch or 4-inch round ductwork.

Connect 6-inch or 4-inch round ductwork to damper / duct connector. Run ductwork to a roof cap or wall cap. Tape all ductwork connections to make them secure and air tight.



CONNECT WIRING



4. Connect electrical wiring.

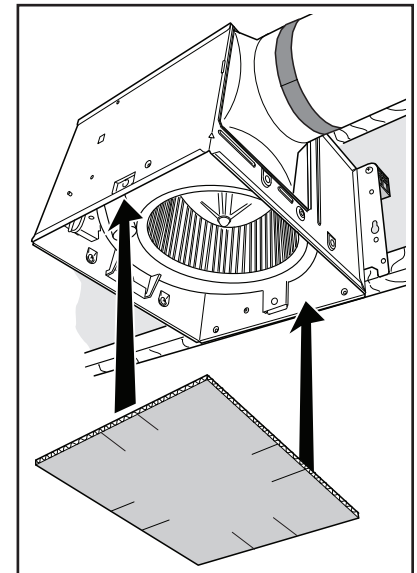
Run 120 VAC house wiring to installation location. Use proper UL approved connector to secure house wiring to wiring plate. Connect wires as shown in wiring diagrams.

INSTALL MASK & FINISH CEILING

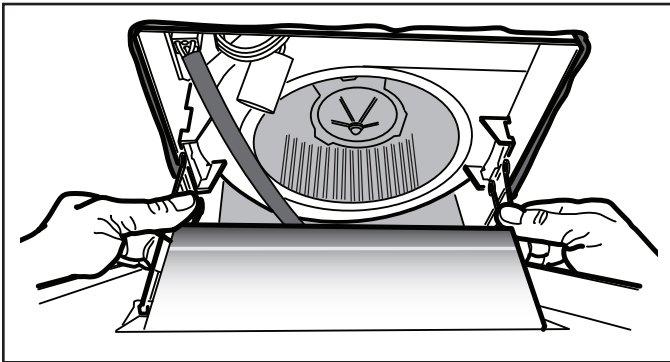
5. Insert mask and finish ceiling.

Tape mask into housing. Mask protects unit during construction. Remove before installing grille.

Install ceiling material. Cut out around housing.



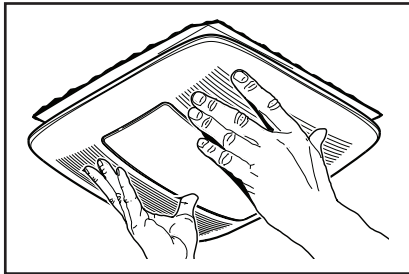
INSTALL GRILLE



6. Attach grille to housing.

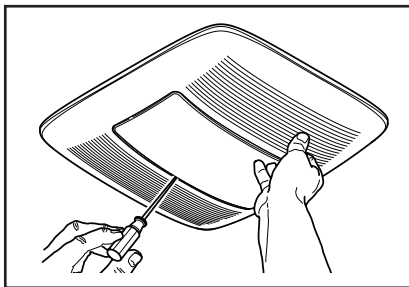
Plug light into receptacle. Squeeze grille springs and insert them into tabs on each side of housing.

7. Push grille against ceiling.



8. Remove light lens.

Carefully insert a small flat-blade screwdriver between grille and lens. Pry lens out.

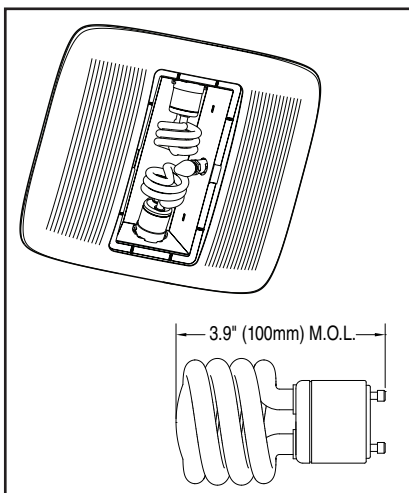


9. Install light bulbs.

Product includes (2) 18W (max.), type GU24 fluorescent bulbs with M.O.L. (maximum overall length) of 3.9" (100mm).

Product includes a 4W (max.), Type C7 incandescent night light bulb.

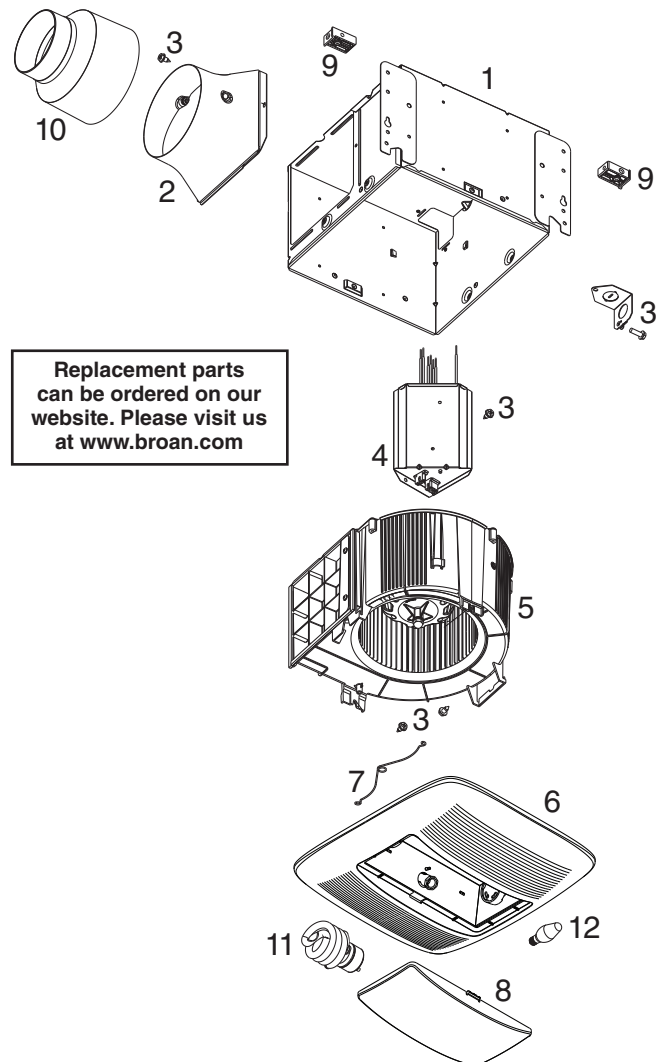
Insert bulbs into their sockets. Replace lens.



SERVICE PARTS

Key No.	Part No.	Description
1	97020009	Housing
2	97018331	Duct Connector - 6"
3	97018721	Parts Bag (includes wiring plate & all screws)
4	97018448	Wire Panel/Harness Assembly
5	97020010	Blower Assembly
6	97020004	Grille Assembly (includes key nos. 7 & 8)
7	99140208	Grille Spring (2 req'd)
8	99111400	Lens
9	97018014	Spacer (2 supplied)
10	99111513	Duct Reducer - 6" to 4"
11	99271381	Bulb, GU24, 18W Fluorescent (2 req.)
12	99271426	Bulb, 4W, Type C7 Night Light

Order service parts by "Part No." - not by "Key No."



Replacement parts can be ordered on our website. Please visit us at www.broan.com

LEA Y CONSERVE ESTAS INSTRUCCIONES

ADVERTENCIA



PARA REDUCIR EL RIESGO DE INCENDIOS, DESCARGAS ELÉCTRICAS O LESIONES PERSONALES, OBSERVE LAS SIGUIENTES PRECAUCIONES:

1. Use la unidad sólo de la manera indicada por el fabricante. Si tiene preguntas, comuníquese con el fabricante a la dirección o al número telefónico que se incluyen en la garantía.
2. Antes de dar servicio a la unidad o de limpiarla, interrumpa el suministro eléctrico en el panel de servicio y bloquee los medios de desconexión del servicio para evitar que la electricidad se reanude accidentalmente. Cuando no sea posible bloquear los medios de desconexión del servicio, fije firmemente un dispositivo de advertencia (por ejemplo, una etiqueta) en un lugar prominente del panel de servicio.
3. El trabajo de instalación y el cableado eléctrico deben ser realizados por una o más personas calificadas, y deben cumplir con todos los códigos y normas correspondientes, incluidos los códigos y normas de construcción específicos de protección contra incendios.
4. Se necesita suficiente aire para que se lleve a cabo una combustión adecuada y para la descarga de los gases a través del tubo de humos (chimenea) del equipo quemador de combustible, a fin de evitar las contracorrientes. Siga las directrices y normas de seguridad del fabricante del equipo de calentamiento, tales como las publicadas por la Asociación Nacional de Protección contra Incendios (National Fire Protection Association, NFPA), la Sociedad Americana de Ingenieros de Calefacción, Refrigeración y Aire Acondicionado (American Society for Heating, Refrigeration and Air Conditioning Engineers, ASHRAE) y las autoridades de los códigos locales.
5. Al cortar o perforar a través de la pared o del cielo raso, no dañe el cableado eléctrico ni otros servicios ocultos.
6. Los ventiladores con conductos deben siempre conectarse hacia el exterior.
7. Es aceptable utilizar este producto sobre una regadera o tina si se conecta a un circuito secundario protegido por un GFCI (interruptor accionado por pérdida de conexión a tierra) (instalación del techo solamente).
8. Esta unidad debe conectarse a tierra.

PRECAUCIÓN



1. Sólo para usarlo en ventilación general. No lo use para descargar materiales ni vapores peligrosos o explosivos.
2. Este producto se diseña para la instalación en techos hasta una echada de 12/12 (ángulo de 45 grados). NO MONTE ESTE PRODUCTO EN UNA TECHO.
3. Para evitar daños a los cojinetes del motor y rotores ruidosos y/o no equilibrados, mantenga la unidad de accionamiento al resguardo de rocío de yeso, polvo de la construcción, etc.
4. Lea la etiqueta de especificaciones del producto para ver información y requisitos adicionales.

LIMPIEZA Y MANTENIMIENTO

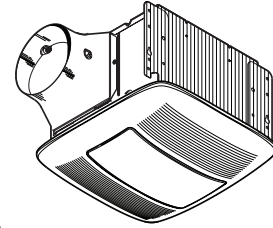
Para lograr un funcionamiento silencioso y eficiente, como también larga vida y una apariencia atractiva, baje o retire la rejilla y aspire el interior de la unidad con el accesorio del cepillo para sacudir polvo.

El motor está permanentemente lubricado y nunca necesitará aceite. Si los cojinetes del motor están haciendo ruido excesivo o inusual, reemplace el conjunto del ventilador (incluye el motor y el rodete del ventilador).

OPERACIÓN

Opere este ventilador mediante un interruptor de encendido/apagado o control de velocidad de estado sólido. Vea los detalles en la sección "Conexión eléctrica." El uso de los controles de la velocidad con excepción de los modelos 78V y 78W de Broan puede causar un ruido del tarareo del motor.

Para registrar este producto visite:
www.broan.com/register



GARANTÍA

Garantía limitada

Periodo y exclusiones de la garantía: Broan-NuTone LLC (la "Compañía") garantiza al consumidor comprador original de su producto ("usted") que el producto (el "Producto") estará libre de defectos en materiales o en mano de obra, por un periodo de tres (3) años a partir de la fecha de compra original.

El periodo de garantía limitada para cualquier pieza de repuesto proporcionada por la compañía y para cualquier Producto reparado o reemplazado bajo esta garantía limitada debe ser lo que reste del periodo de garantía original.

Esta garantía no cubre controles de velocidad, arrancadores de lámparas fluorescentes, tubos, bombillas de halógeno e incandescentes, fusibles, filtros, conductos, tapas de techo, tapas de pared ni otros accesorios que pudieran ser comprados por separado e instalados con el producto. Esta garantía tampoco cubre (a) mantenimiento y servicio normal, (b) uso y desgaste normal, (c) Productos o piezas sujetos a mal uso, abuso, uso anormal, negligencia, accidente, mantenimiento inadecuado o insuficiente, almacenamiento o reparación (que no sea reparación por parte de la Compañía), (d) daños causados por instalación defectuosa, o bien instalación o uso contrario a las recomendaciones o instrucciones, (e) cualquier Producto que se haya movido de su punto de instalación original, (f) daños ocasionados por el medio ambiente o los elementos naturales, (g) daños en tránsito, (h) desgaste natural del acabado, (i) Productos en uso comercial o no residencial, o (j) daños ocasionados por incendio, inundación u otro caso fortuito. Esta garantía cubre solamente Productos vendidos a clientes originales en los Estados Unidos por la Compañía o a distribuidores de EE. UU. autorizados por la Compañía.

Esta garantía sustituye todas las garantías anteriores y no es transferible del comprador consumidor original.

No hay otras garantías: Esta garantía limitada contiene la única obligación de la Compañía y su único recurso ante productos defectuosos. Las garantías anteriores son exclusivas y en lugar de cualquier otra garantía, expresa o implícita. **LA COMPAÑÍA NEGIA Y EXCLUYE CUALQUIER OTRA GARANTÍA EXPRESA, Y NEGIA Y EXCLUYE TODAS LAS GARANTÍAS IMPLÍCITAS POR LEY, INCLUYENDO, ENTRE OTRAS, LAS DE COMERCIALIZACIÓN Y APTITUD PARA UN PROPÓSITO EN PARTICULAR.** Hasta el grado en que la ley aplicable prohíba la exclusión de las garantías implícitas, la duración de cualquier garantía implícita aplicable está limitada al periodo especificado para la garantía expresa antes mencionada. Algunos estados no permiten limitaciones en la duración de una garantía implícita, así que la limitación anterior tal vez no aplique en su caso. Cualquier descripción verbal o escrita del Producto es para el único propósito de identificarlo y no deberá considerarse como una garantía expresa.

Siempre que sea posible, toda disposición de esta garantía limitada deberá ser interpretada de tal forma que sea efectiva y válida de conformidad con la ley aplicable, pero si alguna disposición fuera considerada prohibida o inválida, quedará sin efecto solo en virtud de dicha prohibición o invalidez, sin invalidar el resto de dicha disposición o las demás disposiciones restantes de la garantía limitada.

Recurso: Durante el periodo de garantía limitada aplicable, la Compañía, a su opción, suministrará piezas de repuesto, o reparará o reemplazará, sin cargo alguno, cualquier Producto o pieza del mismo, hasta el grado en que la Compañía lo encuentre cubierto bajo esta garantía limitada y en cumplimiento de la misma en condiciones normales de uso y servicio. La Compañía le enviará el Producto reparado o reemplazado o las piezas de repuesto sin cargo. Usted es responsable de todos los costos de retiro, reinstalación y envío, seguro u otros cargos de flete incurridos en el envío del Producto o pieza a la Compañía. Si debe enviar el Producto o la pieza a la Compañía, tal como lo indique la Compañía, debe empaquetar adecuadamente el Producto o la pieza. La Compañía no se hace responsable por los daños en tránsito. La Compañía se reserva el derecho de utilizar Productos o piezas reacondicionados, renovados, reparados o refabricados en el proceso de reemplazo o reparación de garantía. Dichos Productos y piezas serán comparables en función y desempeño a un Producto o una pieza original y tendrán garantía durante el resto del periodo de la garantía original.

Exclusión de daños: LA OBLIGACIÓN DE LA COMPAÑÍA DE SUMINISTRAR PIEZAS DE REPUESTO, O DE REPARAR O REEMPLAZAR, A OPCIÓN DE LA COMPAÑÍA, SERÁ SU ÚNICO Y EXCLUSIVO RECURSO BAJO ESTA GARANTÍA LIMITADA. Y LA ÚNICA Y EXCLUSIVA OBLIGACIÓN DE LA COMPAÑÍA. LA COMPAÑÍA NO SERÁ RESPONSABLE POR DAÑOS INCIDENTALES, INDIRECTOS, RESULTANTES O ESPECIALES QUE SURJAN POR EL USO O DESEMPEÑO DEL PRODUCTO, O EN RELACIÓN CON EL MISMO.

Algunos estados no permiten la exclusión o limitación de daños incidentales o resultantes, por lo que la limitación antes mencionada podría no aplicarse a usted. Esta garantía le otorga derechos legales específicos, y usted podría tener otros derechos que varían de un estado a otro.

Esta garantía cubre únicamente el reemplazo o la reparación de Productos defectuosos o piezas de los mismos en la planta principal de la Compañía, y no incluye el costo del viaje para el servicio de campo ni los viáticos.

Cualquier asistencia que proporcione o procure la Compañía para usted fuera de los términos, limitaciones o exclusiones de esta garantía limitada no constituirá una renuncia a dichos términos, limitaciones o exclusiones, ni dicha asistencia extenderá o renovará la garantía.

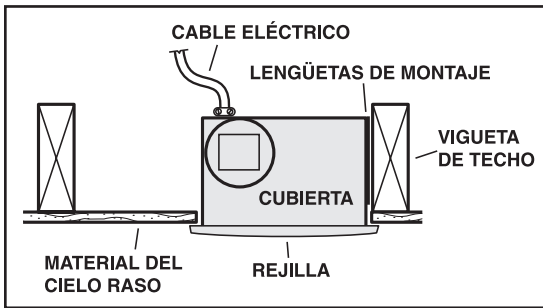
La Compañía no reembolsará ningún gasto en el que usted haya incurrido al reparar o reemplazar cualquier Producto defectuoso, excepto los incurridos con el permiso previo por escrito de la Compañía.

Cómo obtener el servicio cubierto por la garantía: Para tener derecho al servicio cubierto por la garantía, usted debe (a) notificar a la Compañía a la dirección o número de teléfono que aparecen abajo en un plazo de siete (7) días después de descubrir el defecto cubierto, (b) proporcionar el número de modelo y la identificación de la pieza y (c) describir la naturaleza de cualquier defecto en el Producto o la pieza. En el momento de solicitar el servicio cubierto por la garantía, debe presentar un comprobante de la fecha de compra original. Si usted no puede presentar una copia de la garantía limitada original por escrito, entonces registrarán los términos de la garantía limitada por escrito más actualizada de la compañía para su producto en particular. Las garantías limitadas por escrito más actualizadas para los productos de la Compañía se pueden encontrar en www.broan.com.

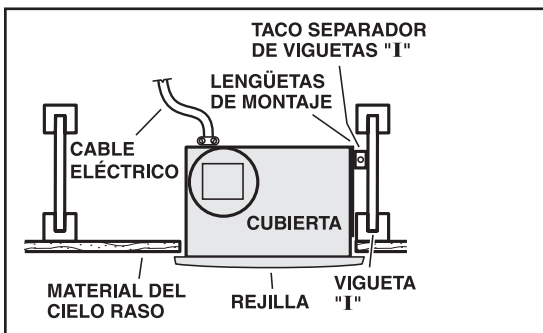
Broan-NuTone LLC 926 West State Street, Hartford, WI 53027 www.broan.com 800-637-1453

**A la persona que realiza la instalación:
Deje este manual con el dueño de la casa.**

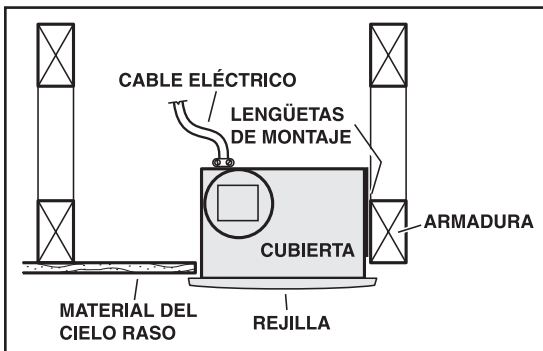
INSTALACIONES TÍPICAS



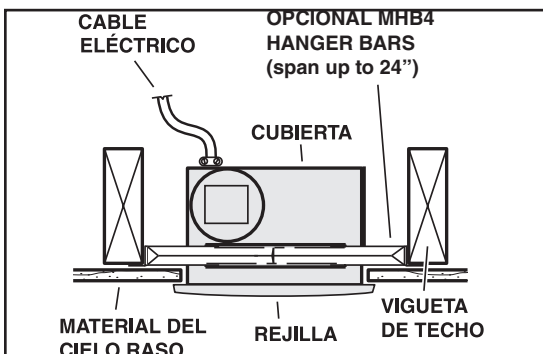
Montaje de cubierta en viguetas.



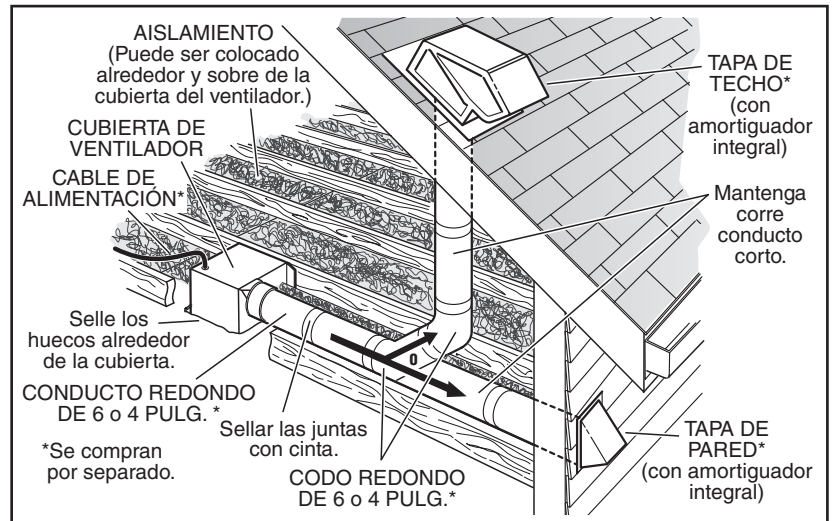
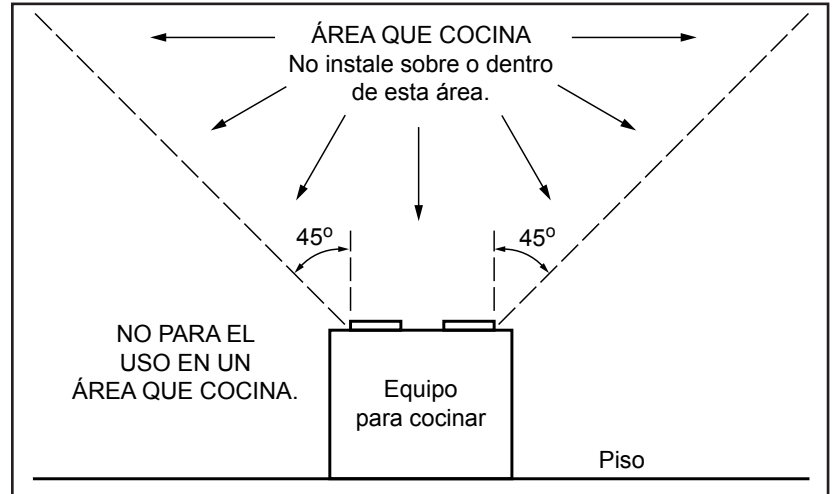
Montaje de cubierta en viguetas "I".
Utilice un taco separador de viguetas "I" (suministrado).



Montaje de cubierta en armadura.



PLANIFICACIÓN DE LA INSTALACIÓN



Los conductos desde este ventilador hacia el exterior del edificio tienen un gran efecto sobre el flujo de aire, el ruido y el uso de energía del ventilador. Utilice el tramo de conductos más corto y recto posible para obtener un desempeño óptimo y evite instalar el ventilador con conductos menores que los recomendados. El aislamiento alrededor de los conductos puede reducir la pérdida de energía e inhibir el desarrollo de moho. Los ventiladores instalados en conductos existentes podrían no obtener el flujo de aire nominal.

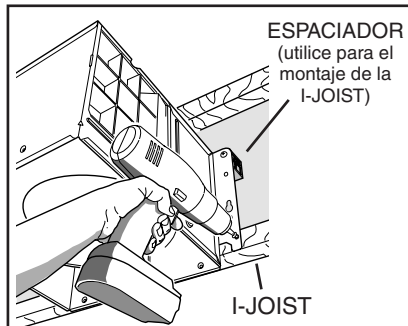
Para un mejor desempeño, se recomienda utilizar conductos metálicos redondos y rígidos de 6 pulg. (15.2 cm).

Para el montaje de cubierta en cualquier parte entre las viguetas, i-vigas o armaduras, utilice el kit opcional de barra de suspensión MHB4 (se vende por separado). Siga las instrucciones de montaje incluido con el kit.

INSTALE LA CUBIERTA Y EL CONDUCTO

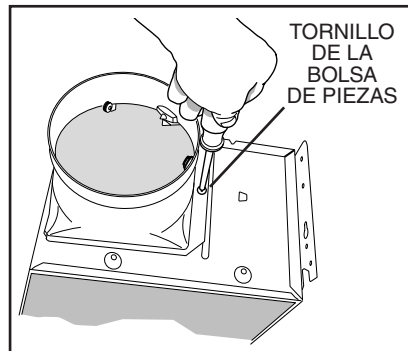
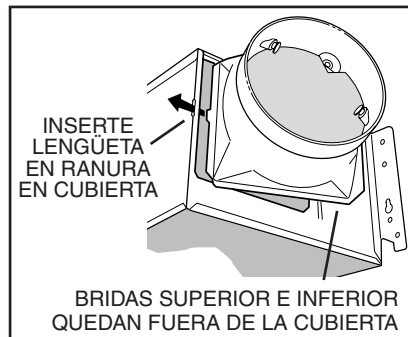
1. Monte la cubierta en la vigueta.

Para el montaje de la cubierta se utilizan cuatro (4) tornillos o clavos. Atornille o clave la cubierta a la vigueta a través de los orificios más bajos de cada brida de montaje, y seguidamente a través de los más altos. **NOTA:** El montaje a la **VIGUETA "I"** (mostrada) requiere utilizar **SEPARADORES** (incluidos) entre el orificio más alto de cada brida de montaje y la vigueta "I".



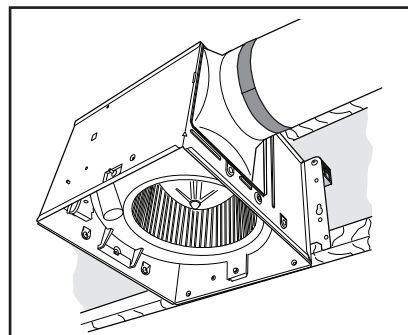
2. Acople el conector del regulador de tiro/ conducto.

Sostenga la cubierta en su lugar para que el borde inferior de esta se encuentre al ras con la superficie acabada del techo. Si está usando conductos de 4 pulgadas, instale un reductor de conducto de 6 a 4 pulgadas (incluido) sobre el conector para conducto.

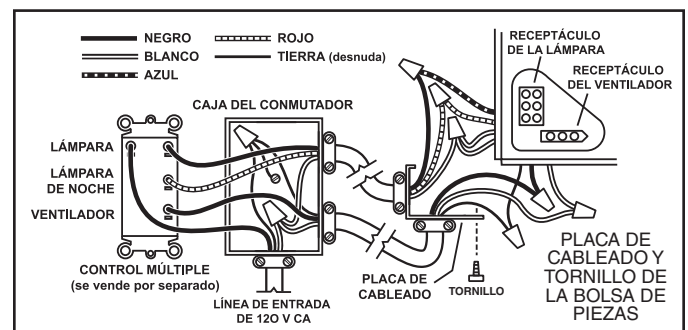
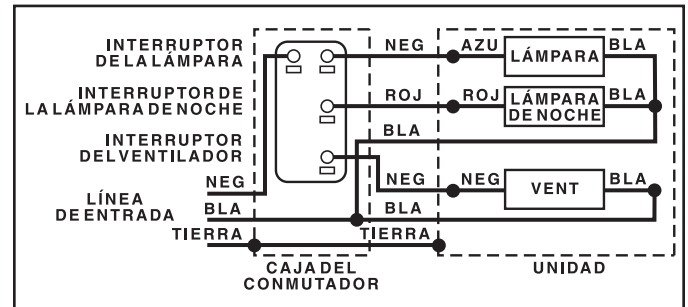


3. Instale el conducto redondo de 6 o 4 pulgadas.

Conecte el conducto redondo de 6 o 4 pulgadas al conector del regulador/ conducto. Extienda el conducto hacia una tapa de techo o tapa de pared. Encinte todas las conexiones de los conductos para fijarlas y hacerlas herméticas al aire.



CONEXIÓN ELÉCTRICA



4. Conecte los cables eléctricos.

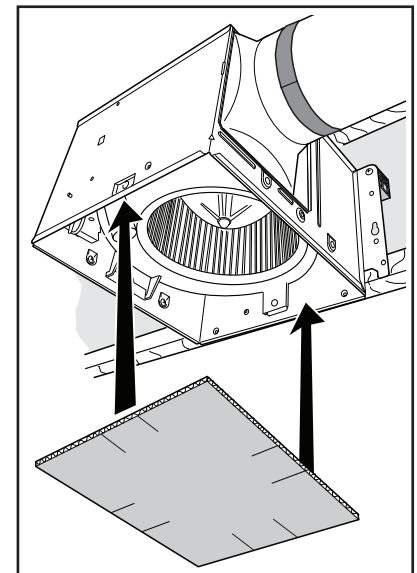
Extienda el cableado de la casa de 120 V CA al lugar de la instalación. Utilice una conexión aprobada por UL para afianzar el cableado de la casa a la placa de cableado. Conecte los cables tal como se ilustra en los diagramas de cableado.

INSTALAR MÁSCARA Y TERMINAR EL TECHO

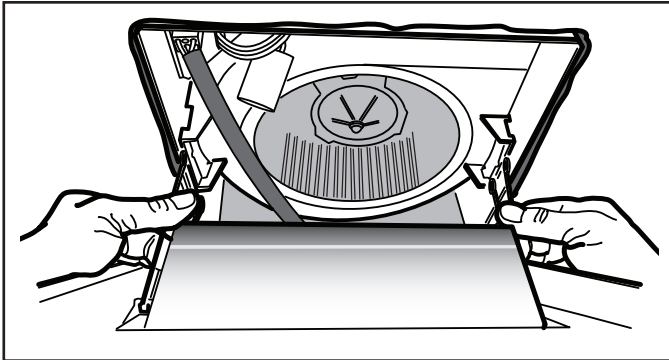
5. Inserte máscara y terminar techo.

Máscara de cinta en la cubierta. Máscara protege la unidad durante la construcción. Quite antes de instalar la rejilla.

Instale el material del techo. Recorte alrededor de la cubierta.



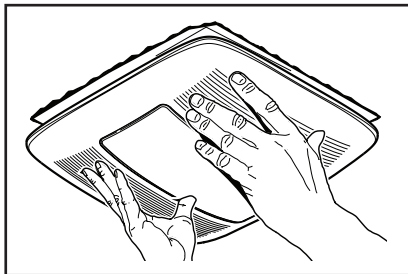
INSTALE LA REJILLA



6. Acople la rejilla a la cubierta.

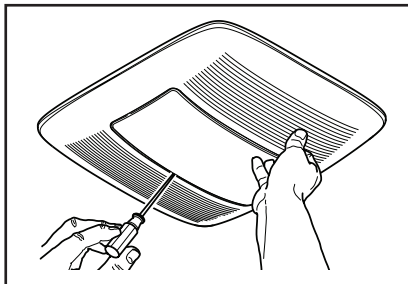
Conecte la luz en el receptáculo. Apriete los resortes de la rejilla e insértelos en las lengüetas que se encuentran a cada lado de la cubierta.

7. Empuje la rejilla contra el cielo raso.



8. Saque la lente de la lámpara.

Con cuidado, inserte un destornillador plano pequeño entre la parilla y la lente de lámpara. Haga palanca con el destornillador y saque la lente.

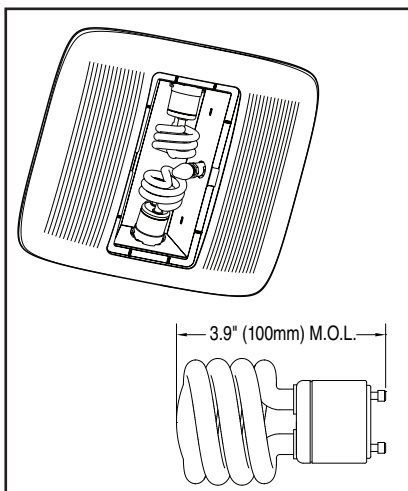


9. Instale las lámparas.

Producto incluye (2) lámparas fluorescentes tipo GU24 de 18W (máx.), con una longitud máxima general (MOL) de 100 mm (3,9 pulg.).

El producto incluye un 4W (máx.), Tipo C7 bombilla incandescente de noche.

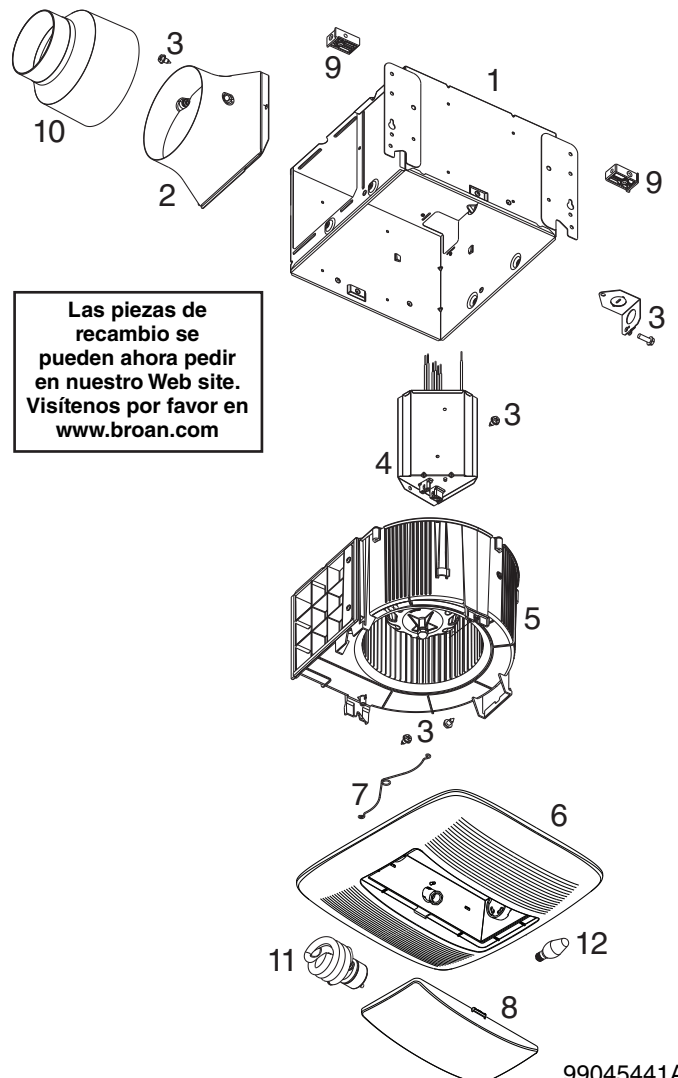
Coloque las lámparas en sus adaptadores. Vuelva a colocar la lente.



PIEZAS DE REPUESTO

Clave n.º	Pieza n.º	Descripción
1	97020039	Cubierta
2	97018331	Conector del conducto (6 pulg.)
3	97018721	Bolsa de piezas (incluye placa de cableado y todos los tornillos)
4	97018448	Conjunto del panel de cableado/arnés
5	97020010	Conjunto del ventilador
6	97020004	Conjunto de la rejilla (incluye clave n.º 7)
7	99140208	Resorte de la rejilla (se requieren 2)
8	99111400	Lente
9	97018014	Separador (se suministran 2)
10	99111513	Reductor de conducto - 6 a 4 pulg.
11	99271381	Bombilla fluorescente, GU24, 18W (se requieren 2)
12	99271426	Bombilla, 4W, tipo C7 luz de noche

Al hacer el pedido de una pieza de servicio se debe especificar el número de la pieza (no el número de la clave).



Las piezas de recambio se pueden ahora pedir en nuestro Web site. Visítenos por favor en www.broan.com