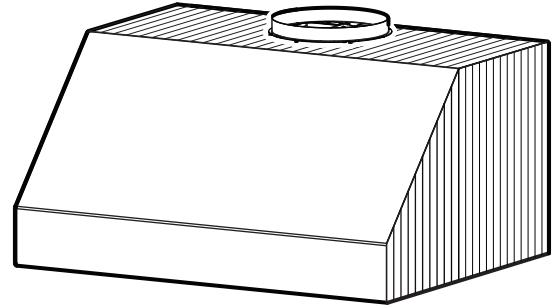


EPD61 SERIES RANGE HOOD



Especially designed to be installed outdoors in a covered patio or lanai area. For use over residential commercial-style cooking surfaces or gas and electric grills. This unit is not for use with a charcoal grill. A complete installation requires several optional components. Refer to page 2 when planning your installation.

FEATURES

- Professional outdoor design.
- 27-inch depth handles heat and size of outdoor grills (optional 3" wall extension to increase depth to 30").
- Brushed corrosion resistant 304 Stainless Steel.
- Four widths: 36, 42, 48, and 60 inches.
- 120 V, 60 Hz, 9.0 Amps.
- Powerful, 1100 CFM internal blower - tested to assure operation in corrosive environments.
- Max. blower CFM*: 1290.
- Bright halogen lighting (2 x 50 watts GU10 for 36-in. & 42-in. hoods, 3 x 50 watts GU10 for 48-in. & 60-in. hoods) (bulbs not included).
- 3-speed rotary control - tested to assure operation in corrosive environments.
- 304 Stainless Steel baffle filters - easily accessible and dishwasher-safe.
- Removable grease rail - easy to clean.
- Heat Sentry™ detects excessive heat and adjusts blower speed automatically.
- UL and cUL listed for use in damp locations when properly connected to a GFCI circuit
- See last page for HVI performance data.

WALL EXTENSION (optional)

- Extends front of hood out an extra 3" (to 30") - eliminates custom wall bump-outs.
- Stainless Steel construction - matches range hood.
- Attaches to wall and back of range hood.

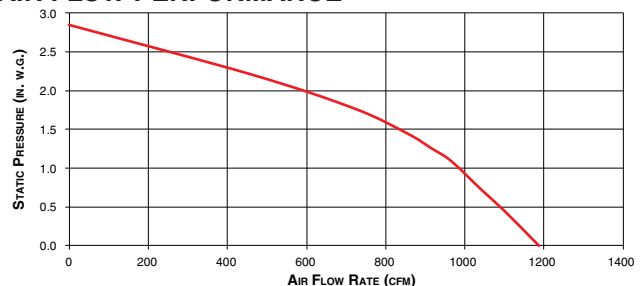
Model AWEPD36SS - 36-in. width
 Model AWEPD42SS - 42-in. width
 Model AWEPD48SS - 48-in. width
 Model AWEPD60SS - 60-in. width

FLUE COVER (optional)

- Stainless Steel construction - matches range hood.
- Attaches to top of range hood shell.
- Hides ducting and wipes clean easily.
- Extended depth available for hoods using the 3" wall extension.

Model AEEPD6SS - 6-in. high - for 8-ft. ceiling - standard depth
 Model AEEPD6SSE - 6-in. high - for 8-ft. ceiling - extended depth
 Model AEEPD18SS - 18-in. high - for 9-ft. ceiling - standard depth
 Model AEEPD18SSE - 18-in. high - for 9-ft. ceiling - extended depth
 Model AEEPD30SS - 30-in. high - for 10-ft. ceiling - standard depth
 Model AEEPD30SSE - 30-in. high - for 10-ft. ceiling - extended depth
 Model AEEPD2445SS - collapsed height: 24" - maximum height 45" - standard depth
 Model AEEPD2445SSE - collapsed height: 24" - maximum height 45" - extended depth

AIR FLOW PERFORMANCE



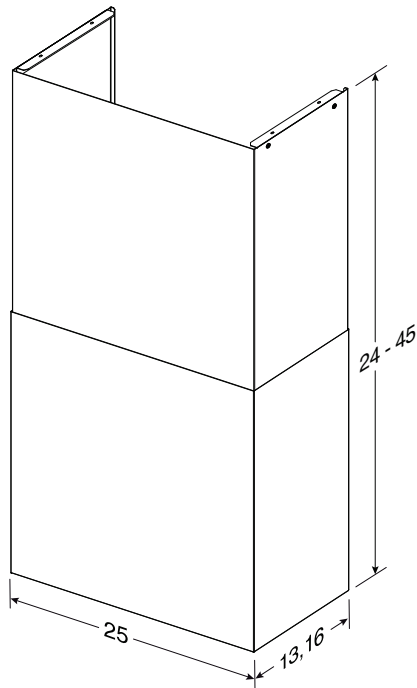
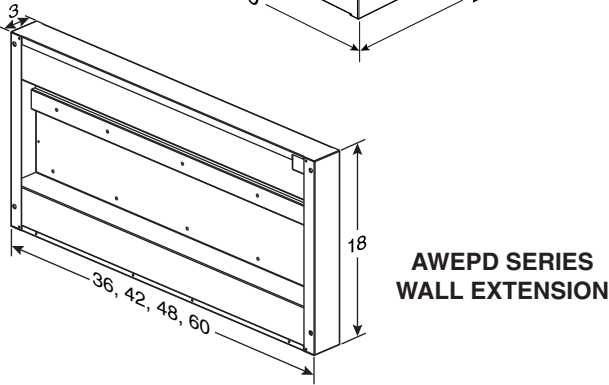
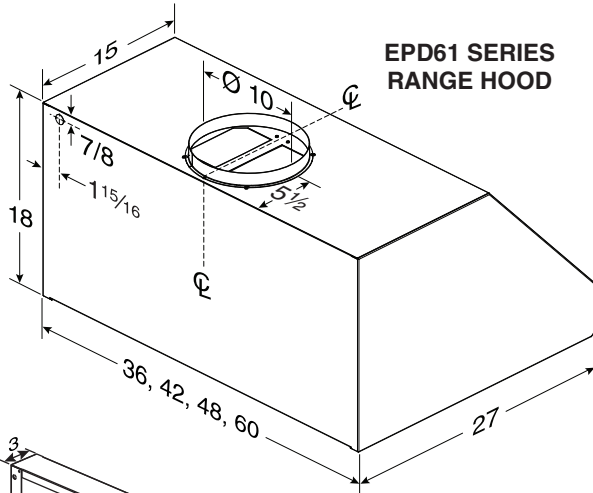
HVI-2100 CERTIFIED RATINGS comply with new testing technologies and procedures prescribed by the Home Ventilating Institute, for off-the-shelf products, as they are available to consumers. Product performance is rated at 0.1 in. static pressure, based on tests conducted in a state-of-the-art test laboratory. Sones are a measure of humanly-perceived loudness, based on laboratory measurements.
 * Max. blower CFM indicates the performance of the hood blower in open air.



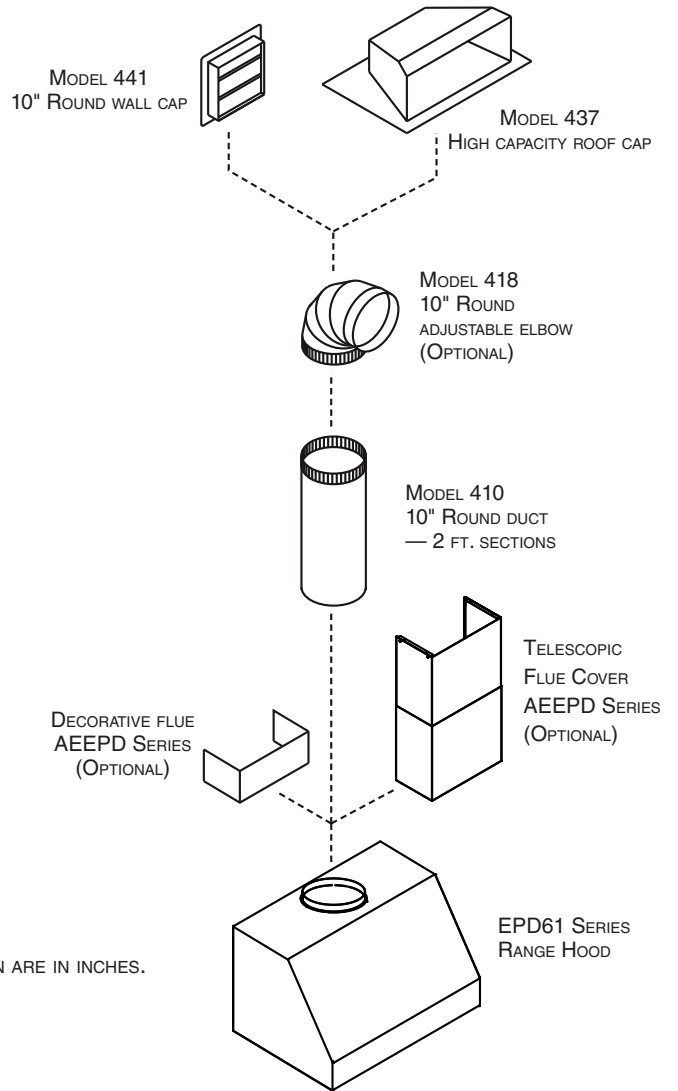
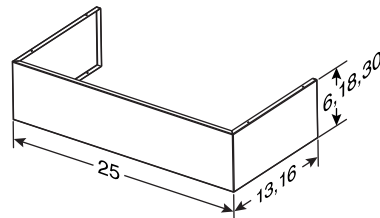
Broan-NuTone LLC Harford, Wisconsin www.broan-nutone.com 800-558-1711
 Venmar Ventilation ULC Drummondville, Québec www.broan-nutone.ca 877-896-1119

REFERENCE	QTY.	REMARKS	Project
			Location
			Architect
			Engineer
			Contractor
			Submitted by
			Date

- EPD61 SERIES RANGE HOOD SYSTEM -



NOTE: DIMENSIONS SHOWN ARE IN INCHES.



HVI PERFORMANCE							
Duct Orientation	Size	Damper	Sones		CFM		
			Normal	High	Normal	High 0.25 in. w.g.	High 0.1 in. w.g.
Vertical - Round	10 in.	Not included	2.0	11.0	430	1131	1160