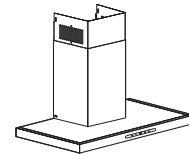


# CHIMNEY RANGE HOOD

To register this product visit:  
[www.broan-nutone.com](http://www.broan-nutone.com) or  
[www.broan-nutone.ca](http://www.broan-nutone.ca)



## READ AND SAVE THESE INSTRUCTIONS

**! INTENDED FOR DOMESTIC COOKING ONLY. !**

### WARNING

**TO REDUCE THE RISK OF FIRE, ELECTRIC SHOCK, OR INJURY TO PERSON(S) OBSERVE THE FOLLOWING:**

1. Use this unit only in the manner intended by the manufacturer. If you have questions, contact the manufacturer at the address or telephone number listed in the warranty.
2. Before servicing or cleaning unit, switch power off at service panel and lock service disconnecting means to prevent power from being switch on accidentally. When the service disconnecting means cannot be locked, securely fasten a prominent warning device, such as a tag, to the service panel.
3. Installation work and electrical wiring must be done by qualified personnel in accordance with all applicable codes and standards, including fire-rated construction codes and standards.
4. Sufficient air is needed for proper combustion and exhausting of gases through the flue (chimney) of fuel burning equipment to prevent backdrafting. Follow the heating equipment manufacturer's guidelines and safety standards such as those published by the National Fire Protection Association (NFPA), the American Society for Heating, Refrigeration and Air Conditioning Engineers (ASHRAE) and the local code authorities.
5. This product may have sharp edges. Be carefull to avoid cuts and abrasions during installation or cleaning.
6. When cutting or drilling into wall or ceiling, do not damage electrical wiring and other hidden utilities.
7. Ducted fans must always be vented to the outdoors.
8. Do not use this unit with any other solid-state speed control device.
9. Use only metal ductwork.
10. This unit must be grounded.

**TO REDUCE THE RISK OF A RANGE TOP GREASE FIRE:**

- a) Never leave surface units unattended at high settings. Boilovers cause smoking and greasy spillovers that may ignite. Heat oils slowly on low or medium settings.
- b) Always turn hood ON when cooking at high heat or when cooking flaming foods (i.e. Crêpes Suzette, Cherries Jubilee, Peppercorn Beef Flambé).
- c) Clean ventilating fans frequently. Grease should not be allowed to accumulate on fan or filters.
- d) Use proper pan size. Always use cookware appropriate for the size of the surface element.

### WARNING

**TO REDUCE THE RISK OF INJURY TO PERSON(S) IN THE EVENT OF A RANGE TOP GREASE FIRE, OBSERVE THE FOLLOWING\*:**

1. SMOTHER FLAMES with a close-fitting lid, cookie sheet, or metaltray, then turn off the burner. BE CAREFUL TO PREVENT BURNS. IF THE FLAMES DO NOT GO OUT IMMEDIATELY, EVACUATE AND CALL THE FIRE DEPARTMENT.
2. NEVER PICK UP A FLAMING PAN – You may be burned.
3. DO NOT USE WATER, including wet dishcloths or towels – This could cause a violent steam explosion.
4. Use an extinguisher ONLY if:
  - A. You know you have a Class ABC extinguisher and you know how to operate it.
  - B. The fire is small and contained in the area where it started.
  - C. The fire department has been called.
  - D. You can fight the fire with your back to an exit.

\* Based on "Kitchen Fire Safety Tips" published by NFPA.

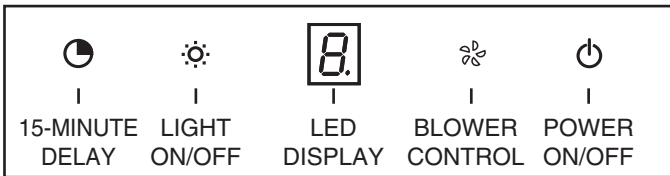
### CAUTION

1. For indoor use only.
2. For general ventilating use only. Do not use to exhaust hazardous or explosive materials and vapors.
3. To avoid motor bearing damage and noisy and/or unbalanced impeller, keep drywall spray, construction dust, etc. off power unit.
4. Do not use over cooking equipment greater than 60,000 BTU/hr. as the blower motor will shut down intermittently.
5. Your hood motor has a thermal overload which will automatically shut off the motor if it becomes overheated. The motor will restart when it cools down. If the motor continues to shut off and restart, have the hood serviced.
6. The bottom of the hood MUST NOT BE LESS than 26" and at a maximum of 36" above cooktop for best capture of cooking impurities.
7. Two installers are recommended because of the size of this hood.
8. To reduce risk of fire and to properly exhaust air, be sure to duct air outside. Do not exhaust air into spaces within walls or ceilings or into attics, crawl spaces, or garages.
9. Be careful when installing the decorative flue and hood, they may have sharp edges.
10. Please read specification label on product for further information and requirements.

**INSTALLER: LEAVE THIS GUIDE WITH THE HOMEOWNER.**

**HOMEOWNER: OPERATION AND MAINTENANCE INFORMATION ON PAGE 2.**

## OPERATION



This hood is operated using capacitive touch controls. Each time a function is activated, the backlighting of the associated button turns ON.

Touch the POWER ON/OFF button to turn ON the lighting at low intensity and the blower at the low speed setting. Touch the POWER ON/OFF button again to turn the blower and lighting OFF.

Touch the LIGHT ON/OFF button to turn the lights ON at high intensity. Touch the button again to turn the lights to low intensity, and again to turn the lights OFF.

Touch the BLOWER CONTROL button to turn ON the blower at low speed. The LED DISPLAY screen will show "1". Touch the button again to turn the blower to medium/low speed (LED DISPLAY shows "2"), and again to turn it to medium/high speed (LED DISPLAY shows "3"). Touch it once more to turn the blower to high speed (LED DISPLAY shows "4"), and once again to turn the blower OFF.

While the blower is ON at any speed, touch the 15-MINUTE DELAY button to activate the delay function which will turn off both blower and lights. To cancel that function, touch the 15-MINUTE DELAY OFF button again, or touch the BLOWER CONTROL button to change the speed of the blower.

## OPTIONAL REMOTE CONTROL

For more convenience, the EWT Series range hood can also be controlled using the HCR4 remote control (purchase separately). For more details, see instructions included with the HCR4 remote control.

## CLEANING & MAINTENANCE

Proper maintenance of the Range Hood will assure proper performance of the unit.

### MOTOR

The motor is permanently lubricated and never needs oiling. If the motor bearings make excessive or unusual noise, replace the blower with the exact service blower.

### GREASE FILTERS

The grease filters should be cleaned frequently. Use a warm dishwashing detergent solution. Grease filters are dishwasher safe.

Clean all-metal filters in the dishwasher using a non-phosphate detergent. Discoloration of the filters may occur if using phosphate detergents, or as a result of local water conditions - but this will not affect filter performance. This discoloration is not covered by the warranty.

Remove grease filters by pulling down on the metal latch tab. This will disengage the filters from the hood. Tilt the filters downward and remove.

### NON-DUCTED RECIRCULATION FILTERS

The non-ducted recirculation filters should be changed every 6 months. Replace more often if your cooking style generates extra grease, such as frying and wok cooking. Turn the filter mounting tabs to remove filter and replace.

### STAINLESS STEEL CLEANING

#### DO:

- Regularly wash with clean cloth or rag soaked with warm water and mild soap or liquid dish detergent.
- Always clean in the direction of original polish lines.
- Always rinse well with clear water (2 or 3 times) after cleaning. Wipe dry completely.
- You may also use a specialized household stainless steel cleaner.

#### DON'T:

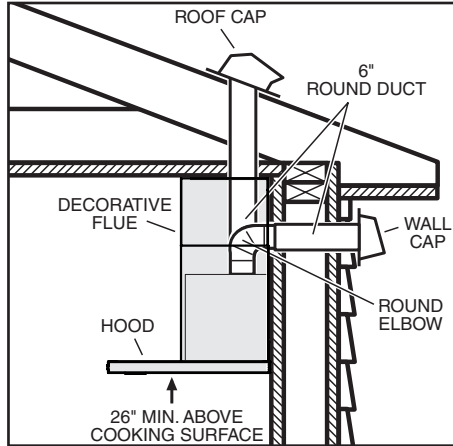
- Use any steel or stainless steel wool or any other scrapers to remove stubborn dirt.
- Use any harsh or abrasive cleansers.
- Allow dirt to accumulate.
- Let plaster dust or any other construction residues reach the hood. During construction/renovation, cover the range hood to make sure no dust sticks to the stainless steel surface.

#### Avoid: When choosing a detergent

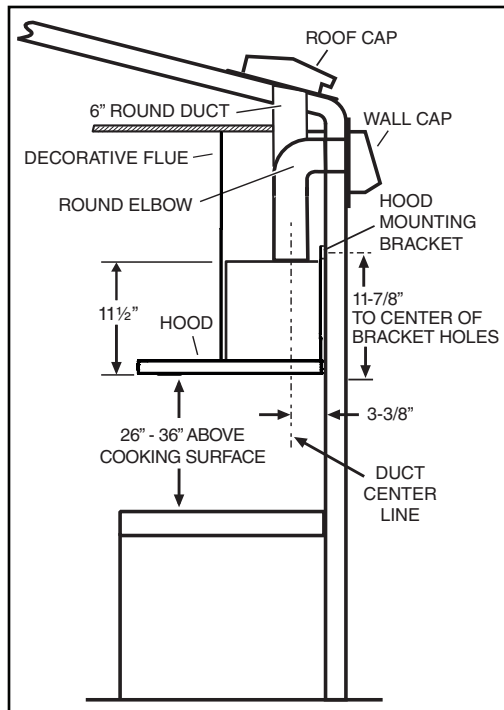
- Any cleaners that contain bleach will attack stainless steel
- Any products containing: chloride, fluoride, iodide, bromide will deteriorate surfaces rapidly.
- Any combustible products used for cleaning such as acetone, alcohol, ether, benzol, etc., are highly explosive and should never be used close to a range.

## INSTALL THE DUCTWORK (Ducted Hoods Only)

1. Decide where the ductwork will run between the hood and the outside.
2. A straight, short duct run will allow the hood to perform most efficiently.
3. Long duct runs, elbows and transitions will reduce the performance of the hood. Use as few of them as possible. Larger ducting may be required for best performance with longer duct runs.
4. Install wall cap or roof cap. Connect round metal ductwork to cap and work back towards the hood location. Use duct tape to seal the joints between ductwork sections.



## MEASURE THE INSTALLATION



The minimum hood distance above cooktop **MUST NOT BE LESS** than 26".

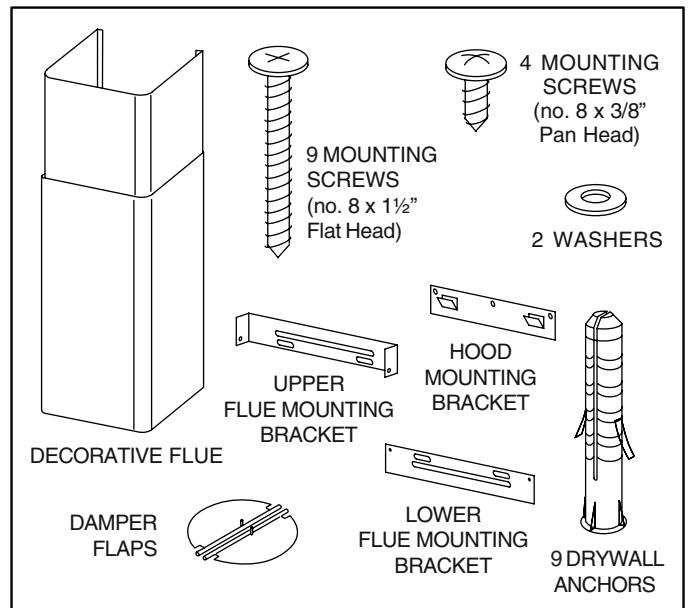
A maximum of 36" above cooktop is highly recommended for best capture of cooking impurities.

Distances over 36" are at the installer and user's discretion; providing that the ceiling height permits.

## PREPARE THE HOOD

Unpack hood and check contents. You should receive:

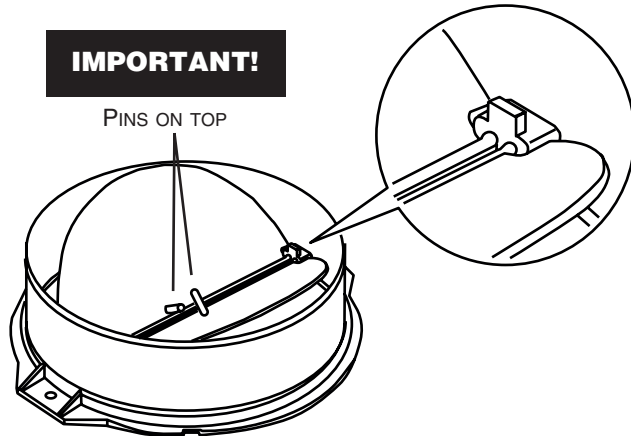
- 1 - Hood
- 1 - Decorative Flue Assembly
- 2 - Damper Flaps
- 1 - Lower Flue Mounting Bracket
- 1 - Upper Flue Mounting Bracket
- 1 - Hood Mounting Bracket
- 2 - Aluminum Grease Filters (**EWT1 series**, included packaged in a cardboard box)
- 2 - Hybrid Baffle Filters (**EWT1 series**, included packaged in a cardboard box)
- 1 - Installation Manual
- 1 - Parts Bag containing:
  - 4 - Mounting Screws (no. 8 x 3/8" Pan Head)
  - 9 - Mounting Screws (no. 8 x 1-1/2" Flat Head)
  - 9 - Drywall Anchors
  - 2 - Washers



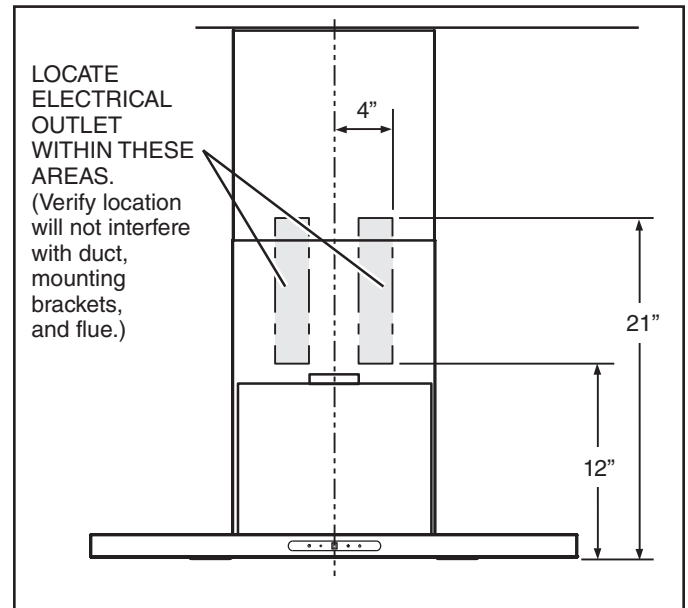
## PREPARE THE HOOD (CONT'D)

**For ducted installation only:**

Install both damper flaps inside the blower exhaust opening, ensuring the pins are top oriented. See illustration below.



## INSTALL THE WIRING



**1. GROUNDING INSTRUCTIONS**

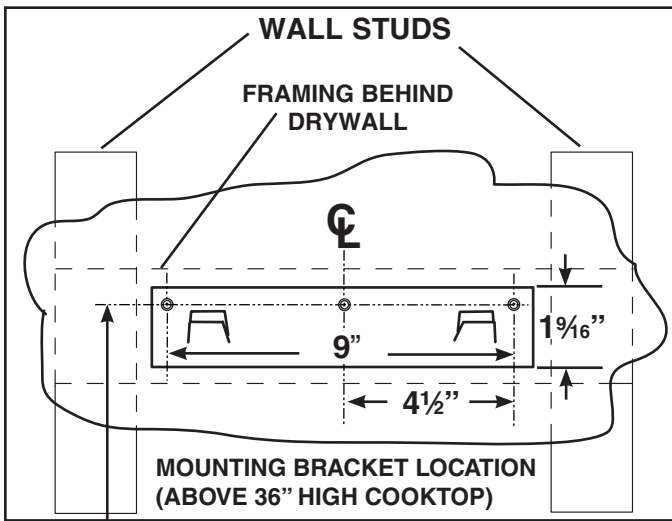
This appliance must be grounded. In the event of an electrical short circuit, grounding reduces the risk of electric shock by providing an escape wire for the electric current. This appliance is equipped with a cord with incorporated grounding wire with a grounding plug. The plug must be plugged into an outlet that is properly installed and grounded.

**NOTE:**

**A recessed “clock” outlet is recommended.**

2. Position the electrical outlet within the space covered by the decorative flue and where it will not interfere with the round duct. Make sure the outlet does not interfere with the mounting bracket fastening area, ductwork, or where the decorative flue touches the wall.

**INSTALL THE HOOD MOUNTING BRACKET**



**MOUNTING BRACKET LOCATION (ABOVE 36" HIGH COOKTOP)**

41 7/8" = bottom of hood 30" above cooktop

1. Construct wood wall framing that is flush with interior surface of wall studs.  
Make sure:
  - a) the framing is centered over installation location.
  - b) the height of the framing will allow the mounting bracket to be secured to the framing within the dimensions shown.
2. After wall surface is finished, carefully center and level the hood mounting bracket and secure it to wall framing with (3) no. 8 x 1 1/2" mounting screws. Tighten the screws completely.  
NOTE: Do not use drywall anchors.

**NOTE:**

**On 8-ft. ceilings**

Hood distance above cooktop is:  
Minimum 26", Maximum 36" (for both ducted and non-ducted discharge)

**On 9-ft. ceilings**

Hood distance above cooktop is:  
Minimum 32", Maximum 36" (for both ducted and non-ducted discharge)

**On 10-ft. ceilings**

Hood distance above cooktop is:  
Minimum 32", Maximum 36" (for both ducted and non-ducted discharge).

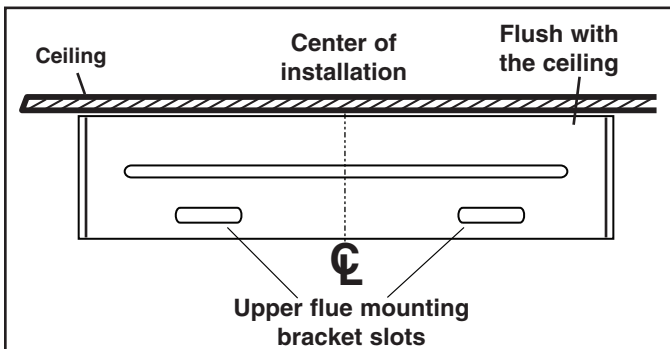
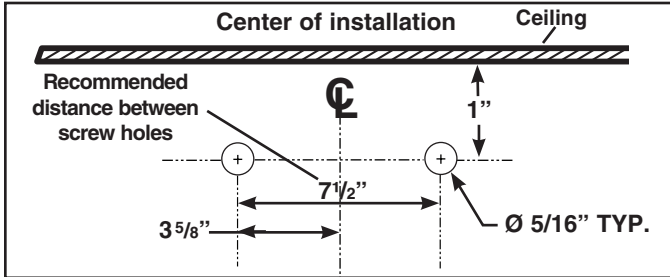
**NOTE: 10-ft. ceilings require 10-ft. Flue Extension, Model FXN53SS for ducted or non-ducted installations (purchase separately).**

CEILING HEIGHT	DUCT METHOD	HOOD DISTANCE ABOVE 36" COOK TOP										
		26"	27"	28"	29"	30"	31"	32"	33"	34"	35"	36"
MOUNTING BRACKET LOCATION ABOVE 36" HIGH COOK TOP												
8 FEET	DUCTED	37-7/8"	38-7/8"	39-7/8"	40-7/8"	41-7/8"	42-7/8"	43-7/8"	44-7/8"	45-7/8"	---	---
	NON-DUCTED	37-7/8"	38-7/8"	39-7/8"	40-7/8"	41-7/8"	42-7/8"	43-7/8"	44-7/8"	45-7/8"	---	---
9 FEET	DUCTED	---	---	---	---	---	---	43-7/8"	44-7/8"	45-7/8"	46-7/8"	47-7/8"
	NON-DUCTED	---	---	---	---	---	---	43-7/8"	44-7/8"	45-7/8"	46-7/8"	47-7/8"
10 FEET	DUCTED	---	---	---	---	---	---	43-7/8"	44-7/8"	45-7/8"	46-7/8"	47-7/8"
	NON-DUCTED	---	---	---	---	---	---	43-7/8"	44-7/8"	45-7/8"	46-7/8"	47-7/8"

**NOTE:**

Minimum hood distance above cooktop must not be less than 26".  
Distances over 36" above the cooktop are at the installer's and user's discretion - providing that ceiling height and flue length permit.

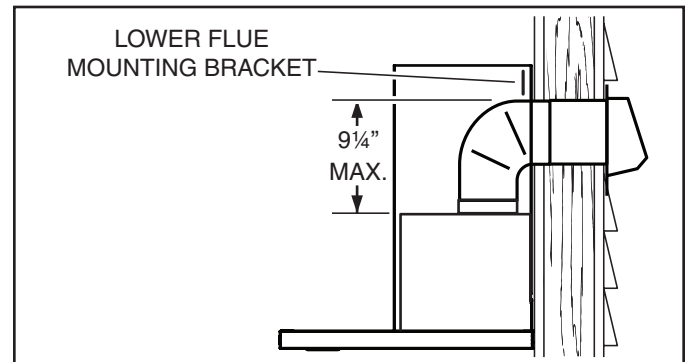
## INSTALL UPPER FLUE MOUNTING BRACKET



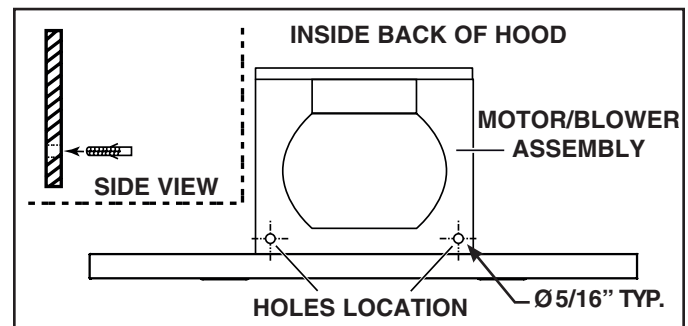
1. If a framing member is not present, drill two 5/16" diameter holes where shown. Insert drywall anchors into the holes.
2. Center the bracket over the hood location and flush with the ceiling. Make sure that the slots of the upper flue bracket are at the bottom. Secure the upper flue bracket to the wall using (2) no. 8 x 1 1/2" mounting screws.
3. Tighten the screws completely. Make sure that the bracket is tight against the wall.

## INSTALL THE HOOD (Horizontally Ducted Hoods Only)

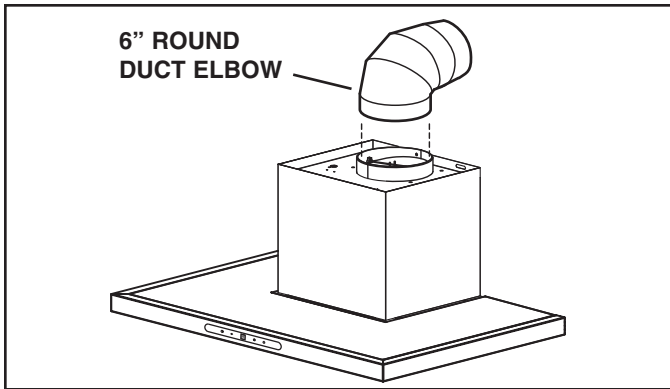
1. DO NOT REMOVE the protective plastic film covering the decorative flue and the hood at this time.
2. Lay the back side of the hood flat on a table. Use a piece of cardboard to avoid damaging the table or the hood.
3. Remove the grease filters by pulling down the metal latch tab and tilting filters downward to remove.
4. Carefully rotate hood upright.



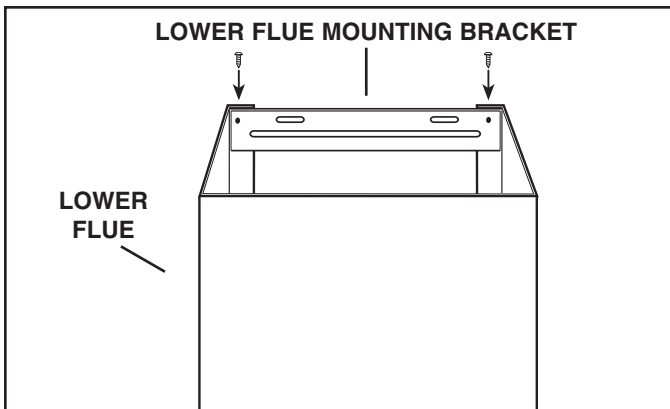
5. To make sure there will be adequate clearance between top of hood and lower flue mounting bracket for ductwork: Elbow must be located below lower flue mounting bracket.
6. Align the hood and center it above the hood mounting bracket. Gently lower the hood until it securely engages the bracket.



7. With the hood hanging in place, drill through both holes located in the inside lower back of hood using a 5/16" drill bit. Insert the included drywall anchors into the drilled holes (one for each hole). Install (2) washers and (2) no. 8 x 1 1/2" mounting screws through the hood back and into the drywall anchors. Verify that the hood is centered and leveled. Tighten all screws completely.
8. Reinstall grease filters by aligning rear filter tabs with slots in the hood. Pull down the metal latch tab, push filter into position and release. Make sure filters are securely engaged after installation.

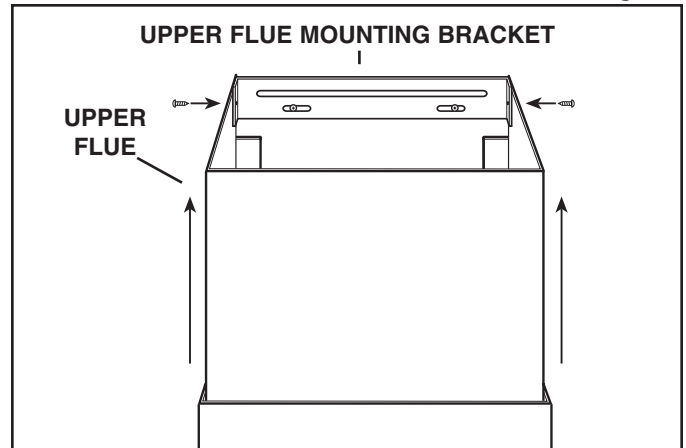


9. Measure and install 6" round steel ductwork to roof cap or wall cap and 90° elbow over the blower exhaust opening on top of hood. Use duct tape to make all joints secure and air tight.
10. Plug hood power cord into the outlet.



**NOTE: 10-ft. ceilings require 10-ft. Flue Extension Model FXN53SS (purchase separately). Discard the upper flue supplied with your hood and replace it with the Model FXN53SS flue extension.**

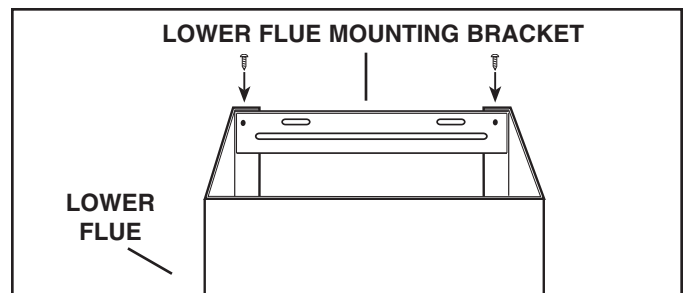
11. Remove the upper flue from inside the lower flue. Install the lower flue bracket to the lower flue using (2) flue bracket screws (no. 8 x 3/8"). Make sure that the bracket is positioned inside of the lower flue flanges - with the slots on top. Carefully replace the upper flue inside the lower flue. Remove protective plastic film covering the lower flue only.
12. Carefully place both flues into the recessed area of hood top. Slightly push aside the upper flue to avoid any damage while installing the lower flue to the hood top using (2) no. 8 x 3/8" screws through the lower flue side slots.
13. Slightly push aside the upper flue to avoid any damage while installing the lower flue to the hood top. Secure the lower flue bracket to the wall using (2) no. 8 x 1½" mounting screws.



14. Slide the upper flue upward until it is aligned with its upper flue mounting bracket. The bracket should be inside the flue. Secure the upper flue to the upper flue mounting bracket using (2) no. 8 x 3/8" mounting screws.
15. Remove protective plastic film covering the upper flue and the hood.

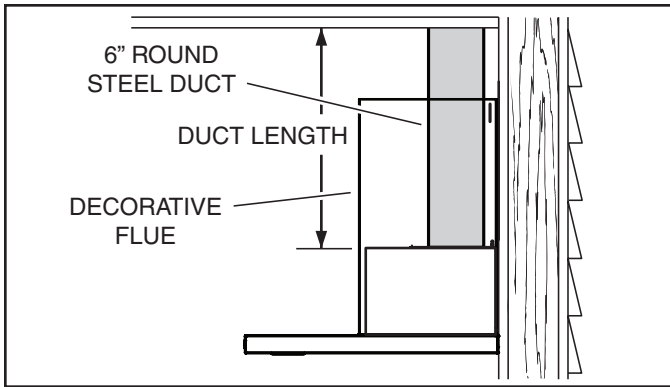
## INSTALL THE HOOD (Vertically Ducted Hoods Only)

1. DO NOT REMOVE the protective plastic film covering the decorative flue and the hood at this time.
2. Lay the back side of the hood flat on a table. Use a piece of cardboard to avoid damaging the table or the hood.
3. Remove the grease filters by pulling down the metal latch tab and tilting filters downward to remove.
4. Carefully rotate hood upright.

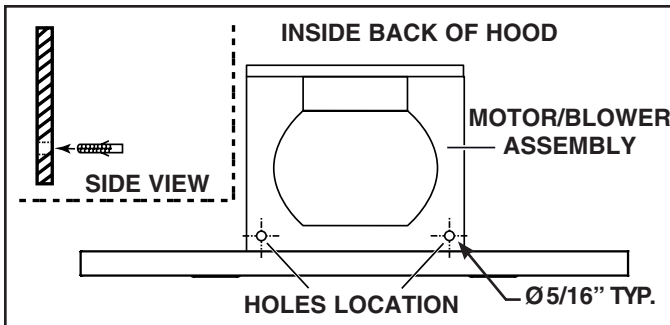


**NOTE: 10-ft. ceilings require 10-ft. Flue Extension Model FXN53SS (purchase separately). Discard the upper flue supplied with your hood and replace it with the Model FXN53SS flue extension.**

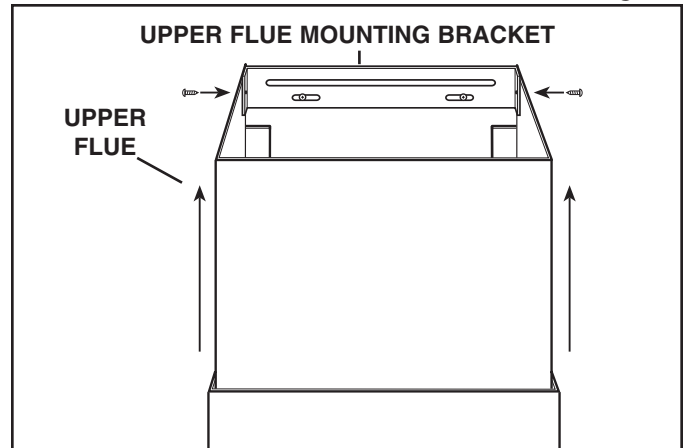
5. Remove the upper flue from inside the lower flue. Install the lower flue bracket to the lower flue using (2) flue bracket screws (no. 8 x 3/8"). Make sure that the bracket is positioned inside of the lower flue flanges - with the slots on top. Carefully replace the upper flue inside the lower flue. Remove protective plastic film covering the lower flue only.
6. Carefully place both flues into the recessed area of hood top.



7. Measure and install 6" round steel ductwork to the blower exhaust opening on top of hood. Use duct tape to make all joints secure and air tight.
8. Hold hood up close to wall mounting location and plug power cord into wall outlet.
9. Align the hood and center it above the hood mounting bracket. Make sure ductwork on hood lines up and attaches to ductwork in ceiling. Gently lower the hood until it securely engages the bracket.
10. Use duct tape to make all joints secure and air tight.



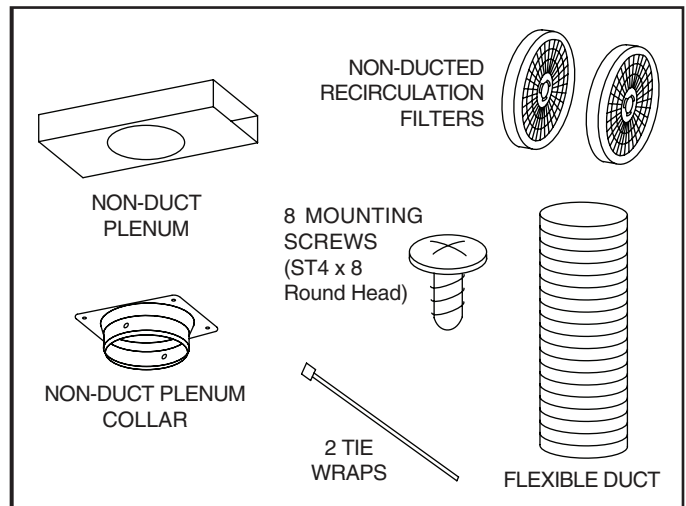
11. With the hood hanging in place, drill through both holes located in the inside lower back of hood using a 5/16" drill bit. Insert the included drywall anchors into the drilled holes (one for each hole). Install (2) washers and (2) no. 8 x 1½" mounting screws through the hood back and into the drywall anchors. Verify that the hood is centered and leveled. Tighten all screws completely.
12. Reinstall grease filters by aligning rear filter tabs with slots in the hood. Pull down the metal latch tab, push filter into position and release. Make sure filters are securely engaged after installation.
13. Slightly push aside the upper flue to avoid any damage while installing the lower flue to the hood top. Secure the lower flue bracket to the wall using (2) no. 8 x 1½" mounting screws.



14. Slide the upper flue upward until it is aligned with its upper flue mounting bracket. The bracket should be inside the flue. Secure the upper flue to the upper flue mounting bracket using (2) no. 8 x 3/8" mounting screws.
15. Remove protective plastic film covering the upper flue and the hood.

## INSTALL THE HOOD (Non-Ducted Hoods Only)

### NON-DUCT KIT MODEL ARKBWT CONTENTS

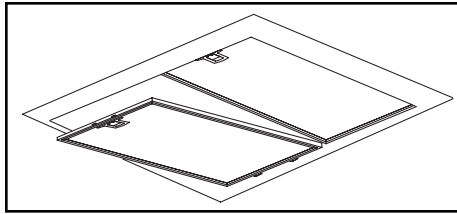


**NOTE: Non-ducted installations require Non-Duct Kit, Model ARKBWT (purchase separately).**

1. CAUTION: Use only flexible duct provided.
2. Do not remove the protective plastic film covering the decorative flue and the hood at this time.
3. Lay the back side of the hood flat on a table. Use a piece of cardboard to avoid damaging the table or the hood.

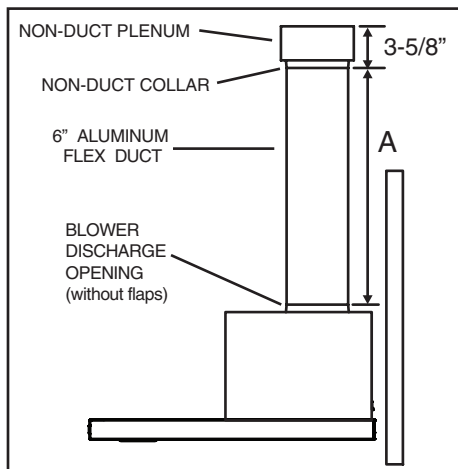


- Remove the grease filters by pulling down the metal latch tab and tilting filters downward to remove.



- Attach non-duct collar to non-duct plenum using (4) no. 8 x 3/8" pan head screws.

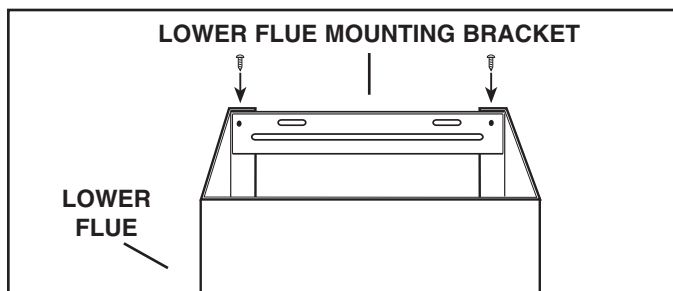
- Measure distance "A". This will be the length of the extended flex duct.



- Attach aluminum flexible duct to the blower discharge opening with a tie wrap.

- Attach flexible duct to non-duct plenum collar and secure with tie wrap. Tape all joints with duct tape.

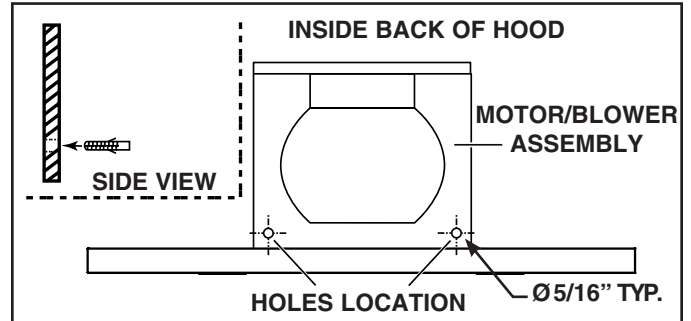
**NOTE: 10-ft. ceilings require 10-ft. Flue Extension Model FXN53SS (purchase separately). Discard the upper flue supplied with your hood and replace it with the Model FXN53SS flue extension.**



- Remove the upper flue from inside the lower flue. Install the lower flue bracket to the lower flue using (2) flue bracket screws (no. 8 x 3/8"). Make sure that the bracket is positioned inside of the lower flue flanges - with the slots on top. Carefully replace the upper flue inside the lower flue. Remove protective plastic film covering the lower flue only.
- Carefully place both flues into the recessed area of hood top. Slightly push aside the upper flue to avoid any damage while installing the lower flue to the hood top. Secure the lower flue bracket to the wall using (2) no. 8 x 1 1/2" mounting screws.

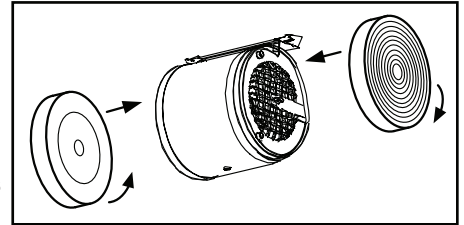
- Attach non-duct plenum with collar to upper flue using (4) no. 8 x 3/8" pan head screws.

- Hold hood up close to wall mounting location and plug power cord into wall outlet.



- Align the hood and center it above the hood mounting bracket. Gently lower the hood until it securely engages the bracket.

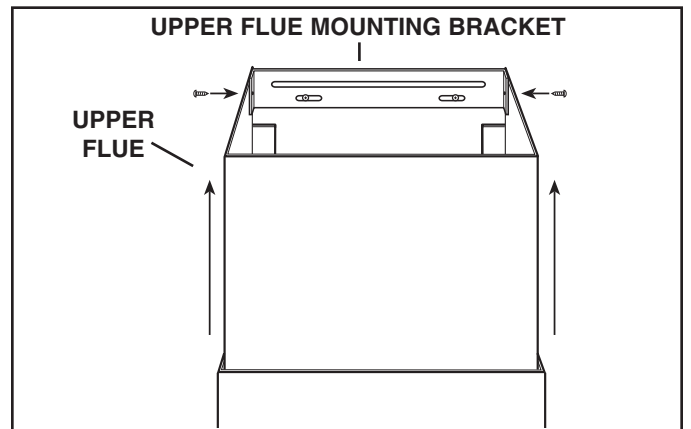
- With the hood hanging in place, drill through both holes located in the inside lower back of hood using a 5/16" drill bit. Insert the included drywall anchors into the drilled holes (one for each hole). Install (2) washers and (2) no. 8 x 1 1/2" mounting screws through the back of the hood and into the drywall anchors. Verify that the hood is centered and leveled. Tighten all screws completely.



- Attach (2) two non-duct recirculation filters to sides of blower by aligning key lock slot and rotating until filters lock into place.

For replacement non-duct recirculation filters - purchase S99010494 (set of 2 filters).

- Reinstall grease filters by aligning rear filter tabs with slots in the hood. Pull down the metal latch tab, push filter into position and release. Make sure filters are securely engaged after installation.



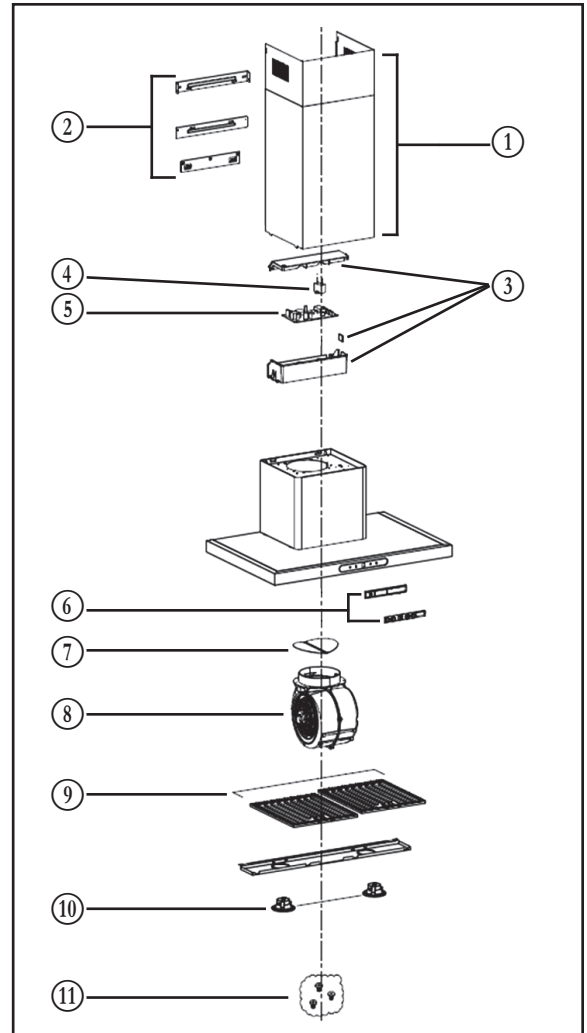
- Slide up the upper flue upward until it is aligned with its upper flue mounting bracket. The bracket should be inside the flue. Secure the upper flue to the upper flue mounting bracket using (2) no. 8 x 3/8" mounting screws.

- Remove protective plastic film covering the flue and the hood.

## SERVICE PARTS

KEY	CUSTOMER MODEL NO.	PART NO.	DESCRIPTION	QTY
1		S99528454	Decorative Upper and Lower Flues	1
2		S99010497	Mounting Bracket (set of 3)	1
3		S99529088	Plastic box of PCB	1
4		S99010491	30 µf Capacitor	1
5		S1104711	Main PCB	1
6		S1104709	Control Assembly	1
7		S99010499	Damper flap	1
8		S1104710	600CFM Motor & Blower Assembly	1
9	30" T-Style	S99010487	Hybrid baffle filter (Pair)	1
	36" T-Style	S99010488	Hybrid baffle filter (3 per hood)	1
10		S99529091	LED Module 5.5 W	2
11		S99010501	Parts Bag	1
		S99010494	Non-Duct Recirculation Filters	1
		FILTERBWPTS	Non-Duct Recirculation Filters	1
		S99526985	Non-Duct Plenum Assembly	1
		ARKBWT	Recirculation Kit (CF110+ Non-Duct Plenum Assembly+ S99526984)	1
		FXN53SS	Decorative Upper Flue Extension	1
		HCR4	Remote control	1

\* Included with optional Non-Duct Kit - Model ARKBWT.  
Order service parts by Part No. - not by Key No.



Replacement parts can be ordered on our website.

### REPLACEMENT PARTS AND REPAIRS

In order to ensure your unit remains in good working condition, you must use Broan-NuTone LLC or Venmar Ventilation ULC genuine replacement parts only. Broan-NuTone LLC or Venmar Ventilation ULC genuine replacement parts are specially designed for each unit and are manufactured to comply with all the applicable certification standards and maintain a high standard of safety. Any third party replacement part used may cause serious damage and drastically reduce the performance level of your unit, which will result in premature failing. Broan-NuTone LLC and Venmar Ventilation ULC recommend to contact a certified service depot for all replacement parts and repairs.

## WARRANTY

### Limited Warranty

**Warranty Period and Exclusions:** Broan-NuTone LLC and Venmar Ventilation ULC (either being the “Company”) warrants to the original consumer purchaser of its product (“you”) that the product (the “Product”) will be free from material defects in the Product or its workmanship for a period of one (1) year from the date of original purchase (or such longer period as may be required by applicable law). The limited warranty period for any replacement parts provided by the Company and for any Products repaired or replaced under this limited warranty shall be the remainder of the original warranty period (or such longer period as may be required by applicable law).

This warranty does not cover fluorescent lamp starters, tubes, halogen and incandescent bulbs, fuses, filters, ducts, roof caps, wall caps and other accessories for ducting that may be purchased separately and installed with the Product. This warranty also does not cover (a) normal maintenance and service, (b) normal wear and tear, (c) any Products or parts which have been subject to misuse, abuse, abnormal usage, negligence, accident, improper or insufficient maintenance, storage or repair (other than repair by the Company), (d) damage caused by faulty installation, or installation or use contrary to recommendations or instructions, (e) any Product that has been moved from its original point of installation, (f) damage caused by environmental or natural elements, (g) damage in transit, (h) natural wear of finish, (i) Products in commercial or nonresidential use, or (j) damage caused by fire, flood or other act of God or (k) Products with altered, defaced or removed serial numbers. This warranty covers only Products sold to original consumers in the United States and Canada by the Company or its U.S. and Canadian distributors authorized by the Company.

This warranty supersedes all prior warranties and, subject to applicable law, is not transferable from the original consumer purchaser.

**No Other Warranties:** This Limited Warranty contains the Company’s sole obligation and your sole remedy for defective products. The foregoing warranties are exclusive and in lieu of any other warranties and conditions, express or implied. **THE COMPANY DISCLAIMS AND EXCLUDES ALL OTHER EXPRESS WARRANTIES AND CONDITIONS, AND DISCLAIMS AND EXCLUDES ALL WARRANTIES AND CONDITIONS IMPLIED BY LAW, INCLUDING WITHOUT LIMITATION THOSE OF MERCHANTABILITY AND FITNESS FOR A PARTICULAR PURPOSE.** To the extent that applicable law prohibits the exclusion of implied warranties or conditions, the duration of any applicable implied warranty or condition is limited to the period specified for the express warranty above. Some jurisdictions do not allow limitations on how long an implied warranty lasts, so the above limitation may not apply to you. Any oral or written description of the Product is for the sole purpose of identifying it and shall not be construed as an express warranty.

Whenever possible, each provision of this Limited Warranty shall be interpreted in such manner as to be effective and valid under applicable law, but if any provision is held to be prohibited or invalid, such provision shall be ineffective only to the extent of such prohibition or invalidity, without invalidating the remainder of such provision or the other remaining provisions of the Limited Warranty.

**Remedy:** During the applicable limited warranty period, the Company will, at its option, provide replacement parts for, or repair or replace, without charge, any Product or part thereof, to the extent the Company finds it to be covered by and in breach of this limited warranty under normal use and service. The Company will ship the repaired or replaced Product or replacement parts to you at no charge. You are responsible for all costs for removal, reinstallation and shipping, insurance or other freight charges incurred in the shipment of the Product or part to the Company. If you must send the Product or part to the Company, as instructed by the Company, you must properly pack the Product or part—the Company is not responsible for damage in transit. The Company reserves the right to utilize reconditioned, refurbished, repaired or remanufactured Products or parts in the warranty repair or replacement process. Such Products and parts will be comparable in function and performance to an original Product or part and warranted for the remainder of the original warranty period (or such longer period as may be required by applicable law).

Company reserves the right, in its sole discretion, to refund the money actually paid by you for the Product in lieu of repair or replacement. If the Product or component is no longer available, replacement may be made with a similar product of equal or greater value, at Company’s sole discretion. This is your sole and exclusive remedy for breach of this limited warranty.

**Exclusion of Damages: THE COMPANY’S OBLIGATION TO PROVIDE REPLACEMENT PARTS, OR REPAIR, REPLACE OR REFUND, AT THE COMPANY’S OPTION, SHALL BE YOUR SOLE AND EXCLUSIVE REMEDY UNDER THIS LIMITED WARRANTY AND THE COMPANY’S SOLE AND EXCLUSIVE OBLIGATION. THE COMPANY SHALL NOT BE LIABLE FOR INCIDENTAL, INDIRECT, CONSEQUENTIAL OR SPECIAL DAMAGES ARISING OUT OF OR IN CONNECTION WITH THE PRODUCT, ITS USE OR PERFORMANCE.** Incidental damages include but are not limited to such damages as loss of time and loss of use. Consequential damages include but are not limited to the cost of repairing or replacing other property which was damaged if the Product does not work properly.

**THE COMPANY SHALL NOT BE LIABLE TO YOU, OR TO ANYONE CLAIMING UNDER YOU, FOR ANY OTHER OBLIGATIONS OR LIABILITIES, INCLUDING, BUT NOT LIMITED TO, OBLIGATIONS OR LIABILITIES ARISING OUT OF BREACH OF CONTRACT OR WARRANTY, NEGLIGENCE OR OTHER TORT OR ANY THEORY OF STRICT LIABILITY, WITH RESPECT TO THE PRODUCT OR THE COMPANY’S ACTS OR OMISSIONS OR OTHERWISE.**

Some jurisdictions do not allow the exclusion or limitation of incidental or consequential damages, so the above limitation or exclusion may not apply to you. This warranty gives you specific legal rights, and you may also have other rights, which vary from jurisdiction to jurisdiction. The disclaimers, exclusions, and limitations of liability under this warranty will not apply to the extent prohibited by applicable law.

This warranty covers only replacement or repair of defective Products or parts thereof at the Company’s main facility and does not include the cost of field service travel and living expenses.

Any assistance the Company provides to or procures for you outside the terms, limitations or exclusions of this limited warrant will not constitute a waiver of such terms, limitations or exclusions, nor will such assistance extend or revive the warranty.

The Company will not reimburse you for any expenses incurred by you in repairing or replacing any defective Product, except for those incurred with the Company’s prior written permission.

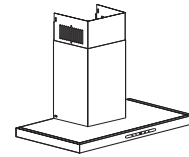
**How to Obtain Warranty Service:** To qualify for warranty service, you must (a) notify the Company at the address or telephone number stated below within seven (7) days of discovering the covered defect, (b) give the model number and part identification and (c) describe the nature of any defect in the Product or part. At the time of requesting warranty service, you must present evidence of the original purchase date. If you cannot provide a copy of the original written limited warranty, then the terms of the Company’s most current written limited warranty for your particular product will control. The most current limited written warranties for the Company’s products can be found at [www.broan-nutone.com](http://www.broan-nutone.com) and [www.broan-nutone.ca](http://www.broan-nutone.ca).

Broan-NuTone LLC 926 West State Street, Hartford, WI 53027 [www.broan-nutone.com](http://www.broan-nutone.com) 800-637-1453

Venmar Ventilation ULC, 550 Lemire Blvd., Drummondville, Québec, Canada J2C 7W9 [www.broan-nutone.ca](http://www.broan-nutone.ca) 1-877-896-1119

# HOTTE CHEMINÉE

Pour enregistrer ce produit,  
visitez : [www.broan-nutone.com](http://www.broan-nutone.com) ou  
[www.broan-nutone.ca](http://www.broan-nutone.ca)



## LIRE CES DIRECTIVES ET LES CONSERVER

**! POUR USAGE DOMESTIQUE SEULEMENT. !**

### AVERTISSEMENT

AFIN DE RÉDUIRE LES RISQUES D'INCENDIE, DE DÉCHARGES ÉLECTRIQUES OU DE BLESSURES CORPORELLES, VEUILLEZ OBSERVER LES DIRECTIVES SUIVANTES :

1. N'utilisez cet appareil que de la manière prévue par le fabricant. Si vous avez des questions, communiquez avec le fabricant à l'adresse ou au numéro de téléphone indiqués dans la garantie.
2. Avant de procéder à l'entretien ou au nettoyage de l'appareil, coupez l'alimentation du panneau électrique et verrouillez l'interrupteur principal afin d'empêcher que le courant ne soit accidentellement rétabli. S'il est impossible de verrouiller l'interrupteur principal, fixez solidement un message d'avertissement, par exemple une étiquette, sur le panneau électrique.
3. L'installation et les branchements électriques doivent être effectués par un personnel compétent, conformément aux normes et aux codes en vigueur, y compris les normes et les codes du bâtiment relatifs à la résistance au feu.
4. Pour éviter les refoulements, l'apport d'air doit être suffisant pour brûler les gaz produits par les appareils à combustion et les évacuer dans le conduit de fumée (cheminée). Respectez les directives du fabricant de l'appareil de chauffage et les normes de sécurité, notamment celles publiées par la National Fire Protection Association (NFPA), l'American Society for Heating, Refrigeration and Air Conditioning Engineers (ASHRAE) et les codes des autorités locales.
5. Ce produit peut comporter des arêtes tranchantes. Prenez garde aux coupures et aux éraflures lors de l'installation et du nettoyage.
6. Veillez à ne pas endommager le câblage électrique ou d'autres équipements non apparents lors de la découpe ou du perçage du mur ou du plafond.
7. Les ventilateurs avec conduits doivent toujours rejeter l'air à l'extérieur.
8. N'utilisez pas de commande de régime à semi-conducteurs avec cet appareil.
9. N'utilisez que des conduits métalliques.
10. Cet appareil doit être relié à une mise à la terre.

**POUR RÉDUIRE LES RISQUES D'INCENDIE CAUSÉS PAR DE LA GRAISSE SUR LE PLAN DE CUISSON :**

- a) Ne laissez jamais les éléments de surface allumés à haute température. Les débordements peuvent causer de la fumée et occasionner des écoulements de graisse inflammables. L'huile doit être chauffée graduellement à basse ou à moyenne température.
- b) Mettez toujours la hotte en MARCHÉ lors de la cuisson à feu vif ou lors de la cuisson d'aliments à flamber (crêpes Suzette, cerises jubilé, steaks au poivre flambés).
- c) Nettoyez souvent la hotte. Ne laissez pas la graisse s'accumuler sur le ventilateur ou les filtres.
- d) Utilisez des casseroles de dimension appropriée. Utilisez toujours une batterie de cuisine adaptée à la dimension de la surface chauffante.

### AVERTISSEMENT

OBSERVEZ LES CONSIGNES SUIVANTES AFIN DE RÉDUIRE LES RISQUES DE BLESSURES CORPORELLES EN CAS D'INCENDIE CAUSÉ PAR DE LA GRAISSE SUR LE PLAN DE CUISSON :\*

1. ÉTOUFFEZ LES FLAMMES à l'aide d'un couvercle étanche, d'une tôle à biscuits ou d'un plateau en métal puis éteignez le brûleur. FAITES ATTENTION DE NE PAS VOUS BRÛLER. SI LES FLAMMES NE S'ÉTEignent PAS IMMÉDIATEMENT, QUITTEZ LES LIEUX ET APPELEZ LES POMPIERS.
2. NE SOULEVEZ JAMAIS UNE CASSEROLE EN FLAMMES – vous pourriez vous brûler.
3. N'UTILISEZ PAS D'EAU, ni de linges ou de serviettes mouillés – une violente explosion de vapeur pourrait survenir.
4. Utilisez un extincteur SEULEMENT si :
  - A. Vous savez qu'il est de classe ABC et vous connaissez déjà son mode de fonctionnement.
  - B. Le feu n'est pas très important et ne se propage pas.
  - C. Les pompiers ont été avisés.
  - D. Vous pouvez combattre le feu en faisant dos à une sortie.

\* Conseils tirés de la publication de la NFPA  
« Kitchen Fire Safety Tips ».

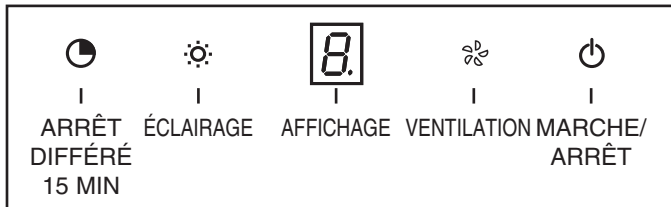
### ATTENTION

1. Pour usage intérieur seulement.
2. Pour ventilation générale uniquement. N'utilisez pas cet appareil pour évacuer des matières ou des vapeurs dangereuses ou explosives.
3. Pour ne pas endommager les roulements du moteur, déséquilibrer ou rendre bruyante la roue du moteur, protégez l'appareil de la poussière de plâtre, de construction, etc.
4. N'utilisez pas cette hotte au-dessus d'un appareil de cuisson dépassant 60 000 BTU/heure car le moteur du ventilateur s'arrêtera par intermittence.
5. Le moteur de la hotte est muni d'un dispositif de protection thermique qui coupe automatiquement le moteur en cas de surchauffe. Il se remet en marche lorsqu'il a refroidi. Faites réparer la hotte si le moteur continue à fonctionner par intermittence.
6. Pour mieux capter les vapeurs de cuisson, le bas de la hotte DOIT ÊTRE AU MINIMUM à 26 po et au maximum à 36 po au-dessus de la surface de cuisson.
7. Deux installateurs sont recommandés lors de l'installation, compte tenu de la taille de cette hotte.
8. Pour réduire les risques d'incendie et évacuer l'air correctement, assurez-vous qu'il est évacué à l'extérieur. N'évacuez pas l'air dans des espaces enfermés par des murs ou un plafond ou dans un grenier, un vide sanitaire ou un garage.
9. Prenez garde en installant la cheminée décorative et la hotte, car elles peuvent comporter des bords tranchants.
10. Veuillez lire l'étiquette de spécifications du produit pour obtenir plus de renseignements, notamment sur les exigences.

INSTALLATEUR : VEUILLEZ LAISSER CE GUIDE AU PROPRIÉTAIRE.

PROPRIÉTAIRE : DIRECTIVES DE NETTOYAGE, D'ENTRETIEN ET D'UTILISATION À LA PAGE 14.

## FONCTIONNEMENT



Cette hotte est contrôlée au moyen d'une commande capacitive. Chaque fois qu'une fonction est activée, le bouton de cette fonction est rétroéclairé.

Toucher le bouton MARCHE/ARRÊT pour allumer l'éclairage à basse intensité et le ventilateur à basse vitesse. Toucher le bouton MARCHE/ARRÊT à nouveau pour éteindre l'éclairage et le ventilateur.

Toucher le bouton ÉCLAIRAGE pour allumer les lumières à haute intensité. Toucher ce bouton à nouveau pour que l'éclairage passe en basse intensité, puis encore pour l'éteindre.

Toucher le bouton VENTILATION pour activer la ventilation en basse vitesse. L'affichage numérique affiche « 1 ». Toucher ce bouton à nouveau pour passer à la vitesse moyenne/basse (l'affichage numérique affiche « 2 »), puis à nouveau pour passer à la vitesse moyenne/haute (l'affichage numérique affiche « 3 »). Toucher ce bouton encore une fois pour passer en haute vitesse (l'affichage numérique affiche « 4 »), puis encore pour arrêter la ventilation.

Alors que le ventilateur est en marche, toucher le bouton d'arrêt différé 15 minutes pour que le ventilateur et l'éclairage s'arrêtent automatiquement après 15 minutes. Une fois activée, cette fonction peut être annulée par une pression du bouton d'arrêt différé ou par un changement de la vitesse du ventilateur.

## TÉLÉCOMMANDE OPTIONNELLE

Pour votre commodité, les hottes de la série EWT peuvent également être contrôlées au moyen de la télécommande HCR4 (vendue séparément). Pour en savoir plus, consulter les instructions incluses avec la télécommande.

## NETTOYAGE ET ENTRETIEN

Un entretien adéquat de la hotte assurera son bon fonctionnement.

### MOTEUR

Le moteur est lubrifié en permanence et n'a pas besoin d'être huilé. Si les roulements du moteur sont anormalement bruyants, remplacer le ventilateur par exactement le même modèle.

### FILTRES À GRAISSES

Les filtres à graisses doivent être nettoyés fréquemment. Utiliser une solution tiède de détergent à vaisselle. Ces filtres sont lavables au lave-vaisselle.

Nettoyer les filtres entièrement métalliques au lave-vaisselle avec un détergent sans phosphate. Une décoloration du filtre peut se produire si des détergents phosphatés sont utilisés ou selon les conditions locales de l'eau, sans toutefois affecter le rendement du filtre. Cette décoloration n'est pas couverte par la garantie.

Enlever les filtres à graisses en tirant vers le bas sur la languette métallique de retenue. Le filtre se dégagera de la hotte. Incliner le filtre vers le bas et le retirer.

### FILTRES DE RECIRCULATION POUR INSTALLATION SANS CONDUITS

Dans une installation sans conduits, les filtres de recirculation doivent être remplacés tous les six mois. Les remplacer plus souvent si le type de cuisine produit plus de graisses, telle que la friture et la cuisson au wok. Tourner les filtres pour les dégager du ventilateur et les remplacer.

### NETTOYAGE DE L'ACIER INOXYDABLE

#### À FAIRE :

- Régulièrement, nettoyer toutes les surfaces avec un chiffon propre imbibé d'eau tiède et de savon doux ou de liquide à vaisselle.
- Nettoyer toujours dans le sens des lignes du poli original.
- Rincer toujours à l'eau propre (2 ou 3 fois) après le nettoyage. Sécher complètement en essuyant.
- Un nettoyant domestique conçu spécialement pour l'acier inoxydable peut aussi être utilisé.

#### À NE PAS FAIRE :

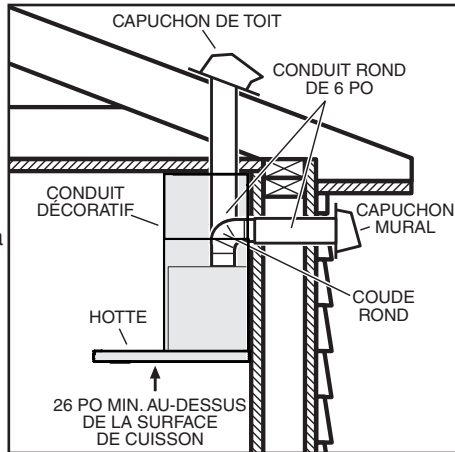
- Ne pas utiliser de laine d'acier ordinaire ni de laine d'acier inoxydable ou tout genre de grattoir pour déloger la saleté.
- N'utiliser aucun nettoyant puissant ou abrasif.
- Ne pas laisser la saleté s'accumuler.
- Protéger la hotte de la poussière de plâtre ou de tout autre résidu de construction. Pendant des travaux de construction ou de rénovation, couvrir la hotte pour empêcher la poussière de toucher aux surfaces d'acier inoxydable.

#### À éviter : Lors du choix d'un détergent

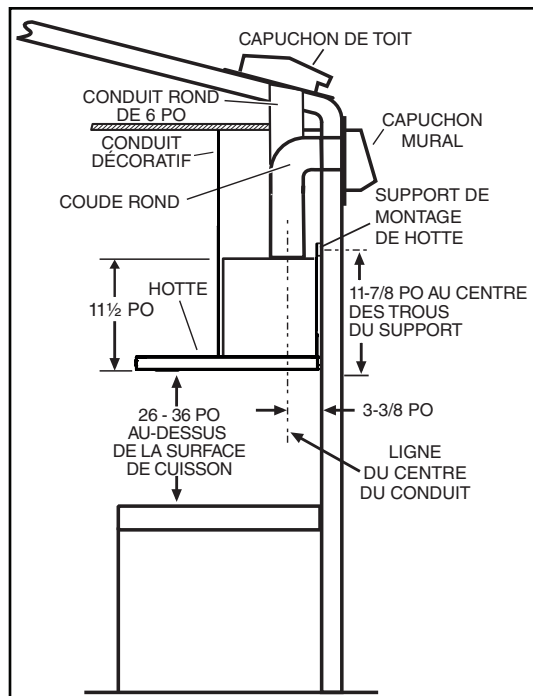
- Tout nettoyant contenant des agents de blanchiment attaquera l'acier inoxydable.
- Tout produit contenant : du chlore, du fluor, de l'iode ou du brome détériorera rapidement les surfaces.
- Tout produit combustible utilisé pour le nettoyage comme l'acétone, l'alcool, l'éther, le benzol, etc., est hautement explosif et ne doit jamais être utilisé à proximité d'une hotte.

## POSE DU CONDUIT (Hottes avec conduit seulement)

1. Planifier la pose du conduit en déterminant son tracé entre la hotte et l'extérieur de la maison.
2. Un tracé droit et court permet à la hotte d'être plus efficace.
3. Des conduits longs, des coudes et des transitions réduisent l'efficacité de la hotte. En utiliser le moins possible. Pour plus d'efficacité, des conduits d'un plus grand diamètre peuvent être nécessaires si le parcours est trop long.
4. Installer le capuchon mural ou de toit. Connecter un conduit rond en métal au capuchon en progressant vers la hotte. Sceller les joints avec du ruban à conduit à chaque section.



## MESURES DE L'INSTALLATION



La distance minimale de la hotte au-dessus de la surface de cuisson NE DOIT PAS ÊTRE INFÉRIEURE à 26 po.

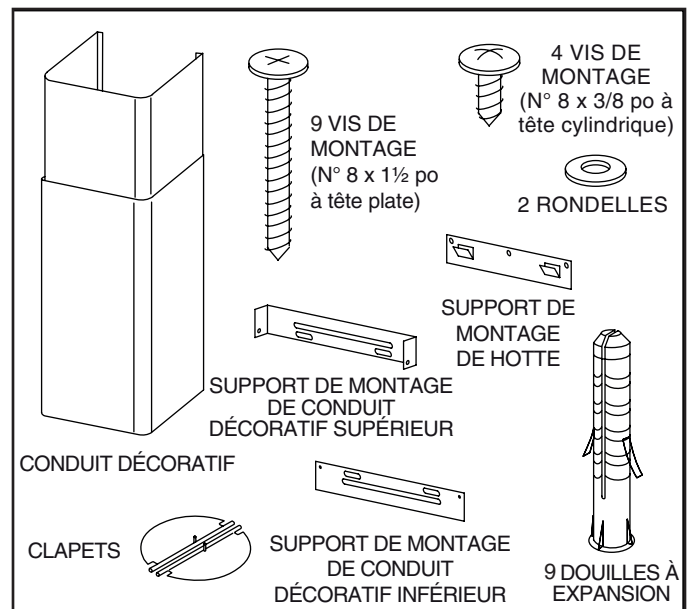
Un maximum de 36 po au-dessus la table de cuisson est fortement recommandé pour mieux capter les impuretés de cuisson.

Une distance de plus de 36 po est laissée à la discrétion de l'installateur et des utilisateurs si la hauteur du plafond le permet.

## PRÉPARATION DE LA HOTTE

Déballer la hotte et vérifier le contenu de la boîte. Celle-ci doit contenir les éléments suivants :

- 1 - Hotte
- 1 - Conduit décoratif de cheminée
- 2 - Clapets
- 1 - Support de montage de conduit décoratif inférieur
- 1 - Support de montage de conduit décoratif supérieur
- 1 - Support de montage de hotte
- 2 - Filtres à graisse en aluminium (**série EWT1**; inclus, dans une boîte de carton)
- 2 - Filtres à chicane hybrides (**série EWT1**; inclus, dans une boîte de carton)
- 1 - Manuel d'installation
- 1 - Sac de pièces contenant :
  - 4 - Vis de montage (N° 8 x 3/8 à tête cylindrique)
  - 9 - Vis de montage (N° 8 x 1 1/2 po à tête plate)
  - 9 - Douilles à expansion
  - 2 - Rondelles



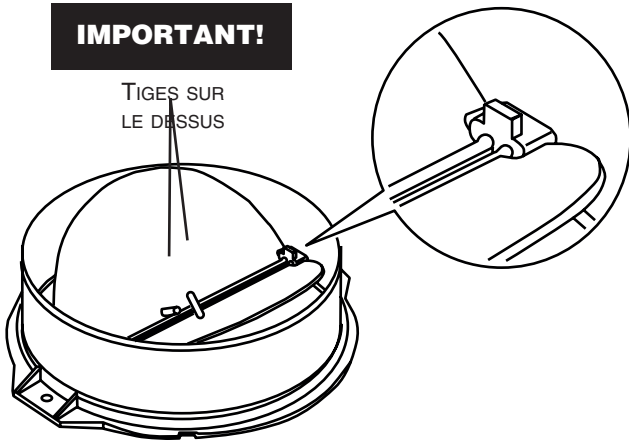
## PRÉPARATION DE LA HOTTE (SUITE)

### Pour les installations avec conduit seulement :

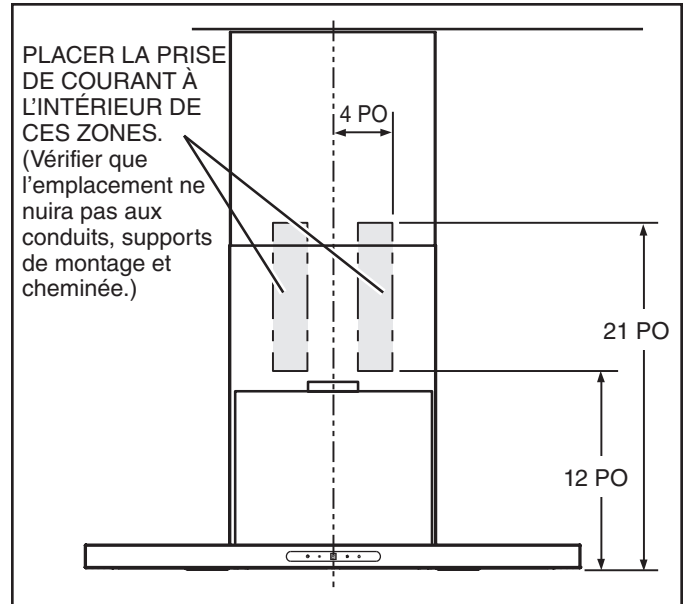
Installer les deux clapets à l'intérieur de l'ouverture d'évacuation du ventilateur, en s'assurant que les tiges sont sur le dessus. Voir l'illustration ci-dessous.

**IMPORTANT!**

TIGES SUR LE DESSUS



## INSTALLATION DU CÂBLAGE



### 1. INSTRUCTIONS DE MISE À LA TERRE

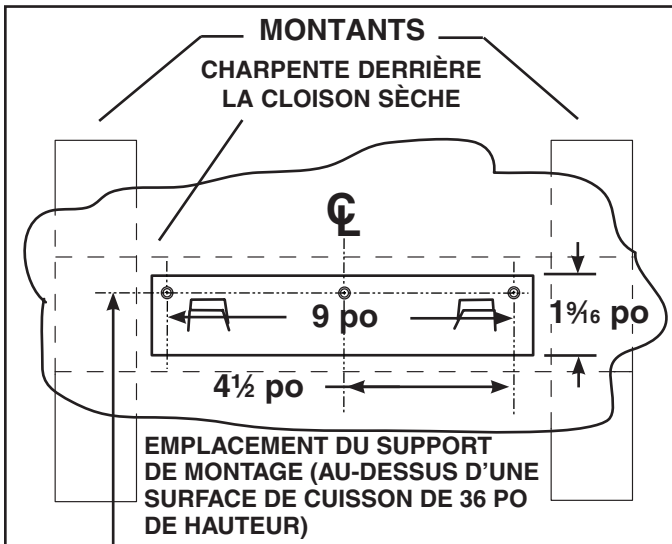
Cet appareil doit être correctement mis à la terre. Dans l'éventualité d'un court-circuit, la mise à la terre réduit les risques de décharge électrique en permettant au courant de s'échapper dans un fil. Cet appareil comporte un cordon électrique muni d'un fil et d'une fiche de mise à la terre. Cette fiche doit être branchée dans une prise de courant correctement installée et mise à la terre.

**REMARQUE :**

**Une prise encastrée est recommandée**

- Placer la prise de courant dans l'espace recouvert par le conduit décoratif de cheminée et à un endroit où elle ne nuira pas au passage du conduit rond. S'assurer qu'elle n'empiète pas sur la zone de fixation des supports de montage, du conduit et de l'endroit où le conduit décoratif touche au mur.

**INSTALLATION DU SUPPORT DE MONTAGE DE LA HOTTE**



**41 7/8 po = bas de la hotte à 30 po au-dessus de la surface de cuisson**

1. Construire une charpente de bois qui affleure la surface intérieure des montants du mur. Prendre soin :
  - a) de centrer cette charpente avec l'emplacement d'installation.
  - b) de donner une hauteur suffisante à la charpente afin de pouvoir y fixer solidement le support de montage selon les mesures indiquées.
2. Une fois la surface du mur finie, centrer le support de montage bien de niveau et le fixer à la charpente à l'aide de trois (3) vis n° 8 x 1 1/2 po. Serrer complètement les vis. **REMARQUE:** Ne pas utiliser de douilles à expansion.

**REMARQUE :**

**Pour les plafonds de 8 pi**

La distance de la hotte au-dessus de la surface de cuisson est :

Au minimum 26 po, au maximum 36 po (pour une installation avec ou sans conduits)

**Pour les plafonds de 9 pi**

La distance de la hotte au-dessus de la surface de cuisson est :

Au minimum 32 po, au maximum 36 po (pour une installation avec ou sans conduits)

**Pour les plafonds de 10 pi**

La distance de la hotte au-dessus de la surface de cuisson est :

Au minimum 32 po, au maximum 36 po (pour une installation avec ou sans conduits).

**REMARQUE : Les plafonds de 10 pi nécessitent la Rallonge de conduit décoratif pour plafonds de 10 pi, modèle FXN53SS, pour les installations avec ou sans conduits (vendue séparément).**

HAUTEUR DU PLAFOND	TYPE D'INSTALLATION	DISTANCE (EN POUCHES) DE LA HOTTE AU-DESSUS D'UNE SURFACE DE CUISSON DE 36 PO DE HAUTEUR										
		26	27	28	29	30	31	32	33	34	35	36
		EMPLACEMENT DU SUPPORT DE MONTAGE AU-DESSUS D'UNE SURFACE DE CUISSON DE 36 PO DE HAUTEUR										
8 PIEDS	AVEC CONDUITS	37-7/8	38-7/8	39-7/8	40-7/8	41-7/8	42-7/8	43-7/8	44-7/8	45-7/8	---	---
	SANS CONDUITS	37-7/8	38-7/8	39-7/8	40-7/8	41-7/8	42-7/8	---	---	---	---	---
9 PIEDS	AVEC CONDUITS	---	---	---	---	---	---	43-7/8	44-7/8	45-7/8	46-7/8	47-7/8
	SANS CONDUITS	---	---	---	---	---	---	43-7/8	44-7/8	45-7/8	46-7/8	47-7/8
10 PIEDS	AVEC CONDUITS	---	---	---	---	---	---	43-7/8	44-7/8	45-7/8	46-7/8	47-7/8
	SANS CONDUITS	---	---	---	---	---	---	43-7/8	44-7/8	45-7/8	46-7/8	47-7/8

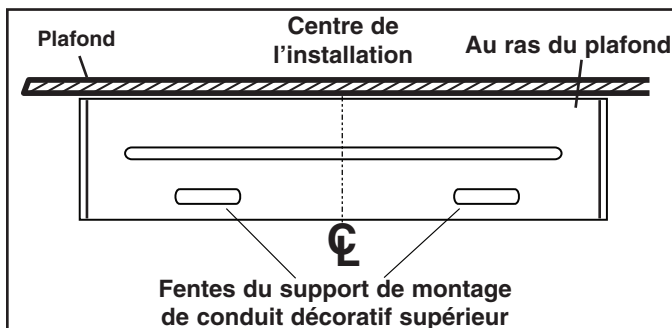
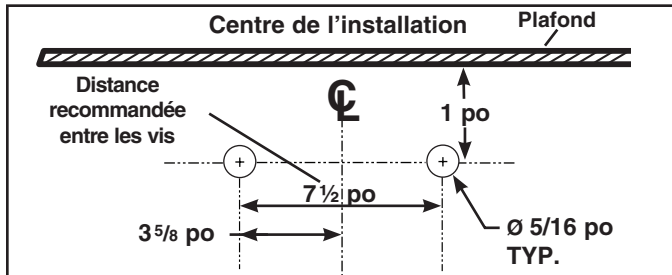
**REMARQUE :**

La distance minimale de la hotte au-dessus de la surface de cuisson ne doit pas être inférieure à 26 po.

Une distance de plus de 36 po est laissée à la discrétion de l'installateur et des utilisateurs si la hauteur du plafond et la longueur du conduit décoratif le permettent.



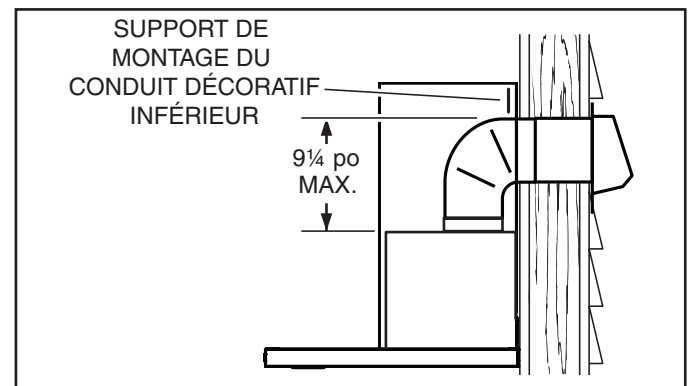
## INSTALLATION DU SUPPORT DE MONTAGE DE CONDUIT DÉCORATIF SUPÉRIEUR



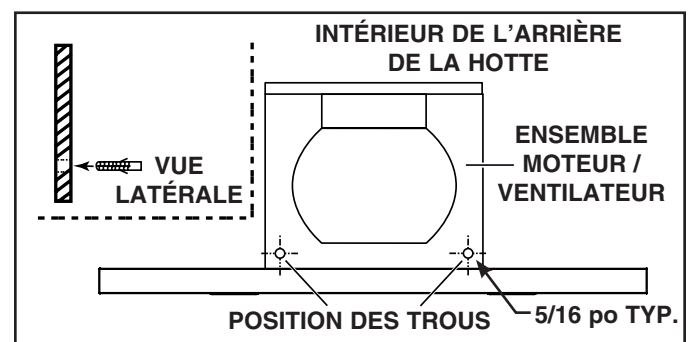
1. Si aucune pièce de charpente n'est présente, percer deux trous de 5/16 po aux endroits indiqués. Insérer des douilles à expansion dans les trous.
2. Centrer le support avec l'emplacement de la hotte au ras avec le plafond. S'assurer que les fentes du support de montage de conduit décoratif supérieur sont en bas. Fixer le support de montage au mur avec deux (2) vis de montage de n° 8 x 1 1/2 po.
3. Serrer complètement les vis. S'assurer que le support est fermement appuyé contre le mur.

## INSTALLATION DE LA HOTTE (évacuation horizontale seulement)

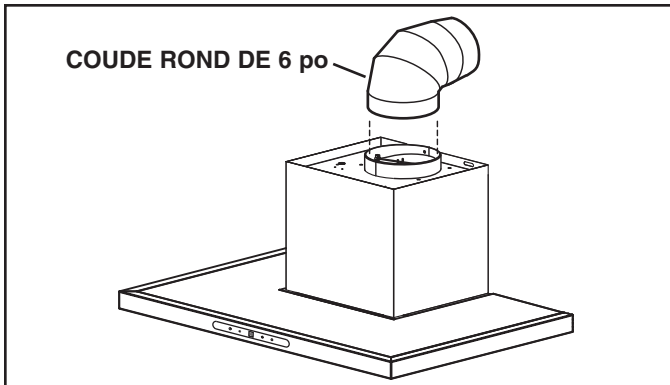
1. NE PAS enlever à cette étape la pellicule protectrice en plastique recouvrant la hotte et le conduit décoratif de cheminée.
2. Placer la hotte sur une table, sur le dos. Utiliser un carton pour éviter d'endommager la table ou la hotte.
3. Enlever les filtres à graisses en tirant vers le bas sur la languette métallique de retenue et en basculant les filtres vers le bas.
4. Avec précaution, tourner la hotte à la verticale.



5. S'assurer qu'il y a suffisamment d'espace entre le haut de la hotte et le support de montage inférieur pour laisser passer le conduit. Le coude doit être situé en dessous du support de montage inférieur.
6. Aligner la hotte et la centrer au-dessus de son support de montage. Abaisser doucement la hotte jusqu'à ce qu'elle s'engage solidement dans le support.

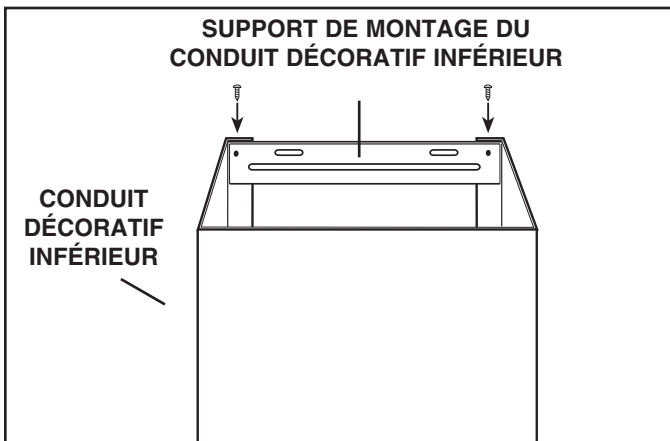


7. La hotte étant suspendue en place, percer à travers les deux trous situés à l'intérieur de l'arrière du boîtier de la hotte à l'aide d'une mèche de 5/16 po. Insérer les douilles à expansion dans les trous percés (une dans chaque trou). Installer (2) rondelles et (2) vis n° 8 x 1 1/2 po à travers l'arrière de la hotte et dans les douilles à expansion. Vérifier que la hotte est centrée et de niveau. Serrer complètement les vis.
8. Pour remettre en place les filtres à graisses, aligner les ergots arrière des filtres dans les fentes de la hotte. Tirer le loquet vers le bas, pousser un filtre à la fois pour le remettre en place, puis relâcher. Vérifier que les filtres sont bien en place.



9. Mesurer et installer un conduit rond de 6 po jusqu'au capuchon de toit ou capuchon mural et un coude de 90° sur l'ouverture d'évacuation du ventilateur de la hotte. Utiliser du ruban pour conduit afin de fixer solidement tous les joints et d'assurer leur étanchéité.

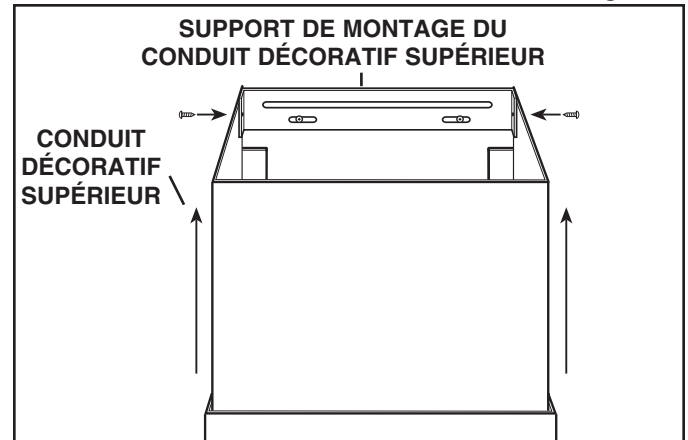
10. Brancher le cordon électrique de la hotte dans la prise.



**REMARQUE :** Les plafonds de 10 pi nécessitent la Rallonge de conduit décoratif pour plafonds de 10 pi, modèle FXN53SS, pour les installations avec ou sans conduits (vendue séparément). Se défaire du conduit décoratif supérieur fourni avec la hotte et le remplacer par la rallonge de conduit décoratif, modèle FXN53SS.

11. Enlever le conduit décoratif supérieur à l'intérieur du conduit décoratif inférieur. Fixer le support sur le conduit décoratif inférieur à l'aide de (2) vis n° 8 x 3/8 po. S'assurer que le support est placé à l'intérieur des rebords du conduit inférieur et que les fentes sont en haut. Glisser soigneusement le conduit décoratif supérieur à l'intérieur du conduit décoratif inférieur. Enlever uniquement la pellicule protectrice en plastique recouvrant le conduit décoratif inférieur.

12. Placer soigneusement les conduits décoratifs dans l'espace au-dessus de la hotte. Pousser le conduit décoratif supérieur légèrement de côté pour éviter de l'abîmer lors de l'installation du conduit inférieur au-dessus de la hotte. Fixer le support de montage au mur avec deux (2) vis de montage de n° 8 x 1½ po.

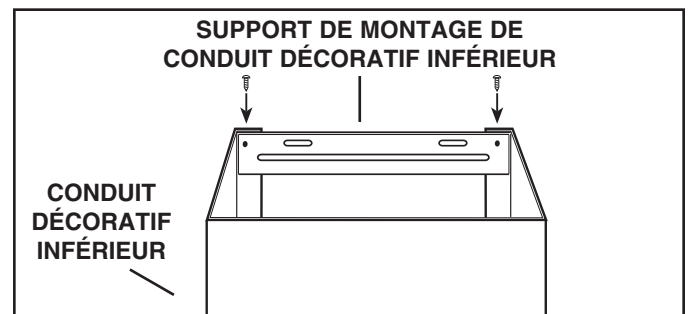


13. Glisser le conduit décoratif supérieur vers le haut jusqu'à ce qu'il soit aligné avec son support de montage supérieur. Le support doit être à l'intérieur du conduit décoratif. Fixer le conduit supérieur à son support avec deux (2) vis de n° 8 x 3/8 po.

14. Enlever la pellicule protectrice en plastique recouvrant la hotte et le conduit décoratif supérieur.

## INSTALLATION DE LA HOTTE (évacuation verticale seulement)

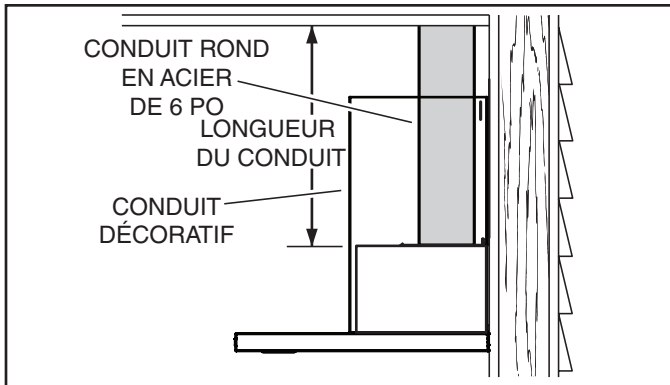
1. Ne pas enlever à cette étape la pellicule protectrice en plastique recouvrant la hotte et le conduit décoratif de cheminée.
2. Placer la hotte sur une table, sur le dos. Utiliser un carton pour éviter d'endommager la table ou la hotte.
3. Enlever les filtres à graisses en tirant vers le bas sur la languette métallique de retenue et en basculant les filtres vers le bas.
4. Avec précaution, tourner la hotte à la verticale.



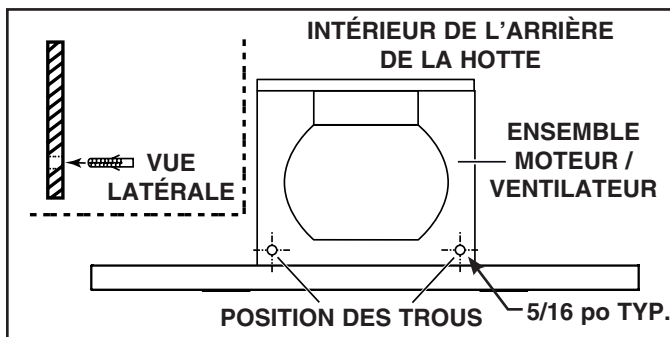
**REMARQUE :** Les plafonds de 10 pi nécessitent la Rallonge de conduit décoratif pour plafonds de 10 pi, modèle FXN53SS, pour les installations avec ou sans conduits (vendue séparément). Se défaire du conduit décoratif supérieur fourni avec la hotte et le remplacer par la rallonge de conduit décoratif, modèle FXN53SS.

5. Enlever le conduit décoratif supérieur à l'intérieur du conduit décoratif inférieur. Fixer le support sur le conduit décoratif inférieur à l'aide de (2) vis n° 8 x 3/8 po. S'assurer que le support est placé à l'intérieur des rebords du conduit inférieur et que les fentes sont en haut. Glisser soigneusement le conduit décoratif supérieur à l'intérieur du conduit décoratif inférieur. Enlever uniquement la pellicule protectrice en plastique recouvrant le conduit décoratif inférieur.

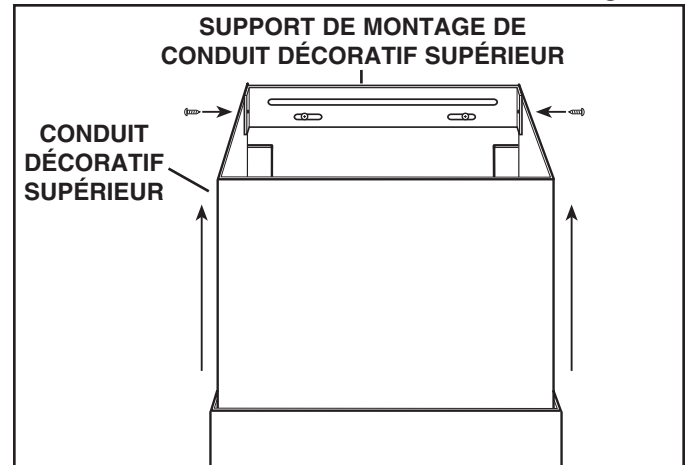
6. Placer soigneusement les conduits décoratifs dans l'espace au-dessus de la hotte.



7. Mesurer et installer un conduit rond métallique de 6 po sur l'ouverture d'évacuation du ventilateur de la hotte. Utiliser du ruban pour conduit afin de fixer solidement tous les joints et d'assurer leur étanchéité.
8. Soulever la hotte, la maintenir près de son emplacement et brancher son cordon électrique dans la prise.
9. Aligner et centrer la hotte au-dessus de son support de montage. S'assurer qu'elle est alignée avec le conduit du plafond et fixer celui-ci. Abaisser doucement la hotte jusqu'à ce qu'elle s'engage solidement dans le support de montage.
10. Utilisez du ruban pour conduit afin de fixer solidement tous les joints et d'assurer leur étanchéité.



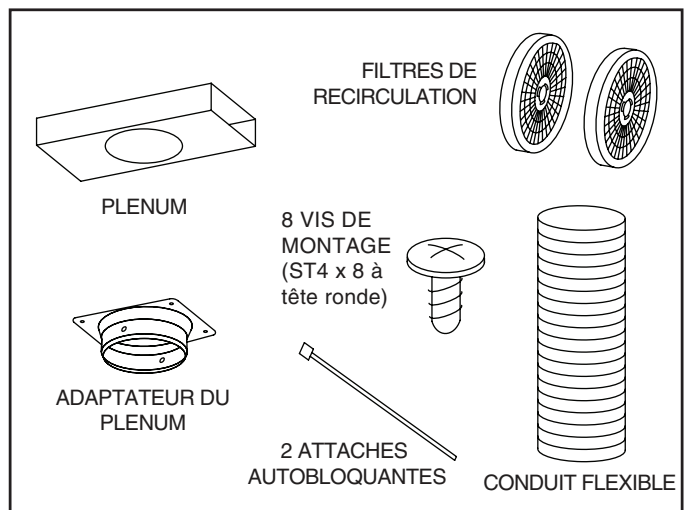
11. La hotte étant suspendue en place, percer à travers les deux trous situés à l'intérieur de l'arrière du boîtier de la hotte à l'aide d'une mèche de 5/16 po. Insérer les douilles à expansion dans les trous percés (une dans chaque trou). Installer (2) rondelles et (2) vis n° 8 x 1½ po à travers l'arrière de la hotte et dans les douilles à expansion. Vérifier que la hotte est centrée et de niveau. Serrer complètement les vis.
12. Pour remettre en place les filtres à graisses, aligner les ergots arrière des filtres dans les fentes de la hotte. Tirer le loquet vers le bas, pousser un filtre à la fois pour le remettre en place, puis relâcher. Vérifier que les filtres sont bien en place.
13. Pousser le conduit décoratif supérieur légèrement de côté pour éviter de l'abîmer durant l'installation du conduit inférieur au-dessus de la hotte. Fixer le support de montage au mur avec deux (2) vis de montage de n° 8 x 1½ po.



14. Glisser le conduit décoratif supérieur vers le haut jusqu'à ce qu'il soit aligné avec son support de montage. Le support doit être à l'intérieur du conduit décoratif. Fixer le conduit supérieur au support supérieur avec deux (2) vis de n° 8 x 3/8 po.
15. Enlever la pellicule protectrice en plastique recouvrant la hotte et le conduit décoratif supérieur.

## INSTALLATION DE LA HOTTE (hottes sans conduits seulement)

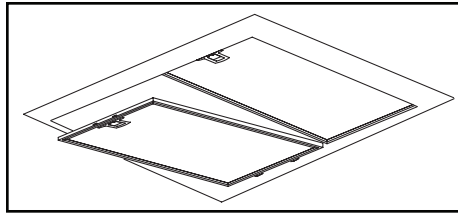
### CONTENU DE L'ENSEMBLE MODÈLE ARKBWT POUR HOTTE SANS CONDUITS



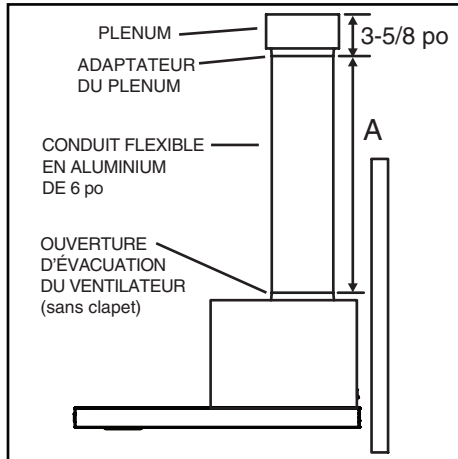
**REMARQUE:** Les installations sans conduits nécessitent l'ensemble de recirculation, modèle ARKBWT (vendu séparément).

1. ATTENTION: Utiliser uniquement le conduit flexible fourni.
2. Ne pas enlever à cette étape la pellicule protectrice en plastique recouvrant la hotte et le conduit décoratif de cheminée.
3. Placer la hotte sur une table, sur le dos. Utiliser un carton pour éviter d'endommager la table ou la hotte.

- Enlever les filtres à graisses en tirant vers le bas sur le loquet métallique et en basculant les filtres vers le bas.

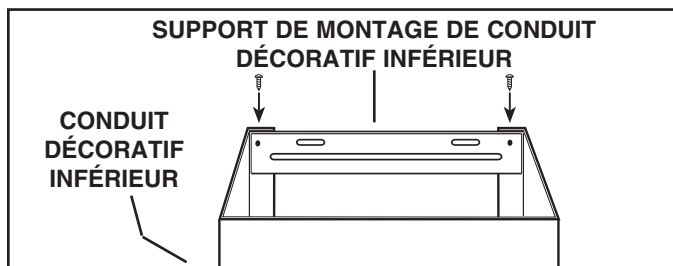


- Fixer l'adaptateur du plenum au plenum à l'aide de (4) vis n° 8 x 3/8 po à tête cylindrique.
- Mesurer la distance « A ». Elle correspondra à la longueur du conduit flexible étiré.



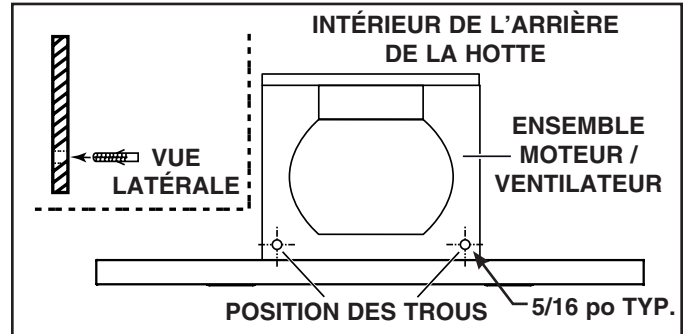
- Fixer une extrémité du conduit flexible en aluminium à l'ouverture d'évacuation du ventilateur de la hotte avec l'attache autoblocante.
- Fixer l'autre extrémité du conduit flexible à l'adaptateur du plenum avec l'attache autoblocante. Sceller tous les joints avec du ruban à conduit.

**REMARQUE:** Les plafonds de 10 pi nécessitent la Rallonge de conduit décoratif pour plafonds de 10 pi, modèle FXN53SS, pour les installations avec ou sans conduits (vendue séparément). Se défaire du conduit décoratif supérieur fourni avec la hotte et le remplacer par la rallonge de conduit décoratif, modèle FXN53SS.



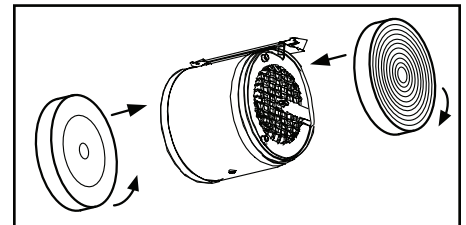
- Retirer le conduit décoratif supérieur de l'intérieur du conduit décoratif inférieur. Fixer le support de montage sur le conduit décoratif inférieur à l'aide de (2) vis n° 8 x 3/8 po. S'assurer que le support est placé à l'intérieur des rebords du conduit inférieur et que les fentes sont en haut. Glisser soigneusement le conduit décoratif supérieur à l'intérieur du conduit décoratif inférieur. Enlever uniquement la pellicule protectrice en plastique recouvrant le conduit décoratif inférieur.
- Placer soigneusement les conduits décoratifs dans l'espace au-dessus de la hotte. Pousser le conduit décoratif supérieur légèrement de côté pour éviter de l'abîmer durant l'installation du conduit inférieur au-dessus de la hotte. Fixer le support de montage au mur avec deux (2) vis de montage de n° 8 x 1 1/2 po.
- Fixer le plenum avec son adaptateur au conduit décoratif supérieur à l'aide de (4) vis n° 8 x 3/8 po à tête cylindrique.

- Soulever et maintenir la hotte près de son emplacement et brancher son cordon électrique dans la prise.
- Aligner et centrer la hotte au-dessus de son support de montage. Abaisser doucement la hotte jusqu'à ce qu'elle s'engage solidement dans son support.



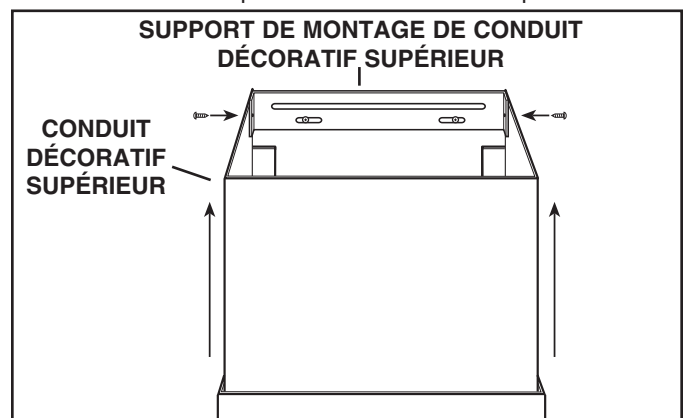
- La hotte étant suspendue en place, percez à travers les deux trous situés à l'intérieur de l'arrière du boîtier de la hotte à l'aide d'une mèche de 5/16 po. Insérer les douilles à expansion dans les trous percés (une dans chaque trou). Insérer les (2) vis de montage n° 8 x 1 1/2 po à tête cylindrique dans les (2) rondelles, puis les visser à travers l'arrière de la hotte dans les douilles à expansion. Vérifier que la hotte est centrée et de niveau. Serrer complètement les vis.

- Fixer deux (2) filtres de recirculation aux côtés du ventilateur en alignant le cran de retenue sur la fente et en tournant les filtres en place.



Pour remplacer les filtres de recirculation, veuillez acheter l'ensemble de filtres S99010494 (comprend 2 filtres).

- Pour remettre les filtres à graisses, aligner les ergots arrière des filtres dans les fentes de la hotte. Tirer le loquet vers le bas, pousser un filtre à la fois pour le remettre en place, puis relâcher. Vérifier que les filtres sont bien en place.

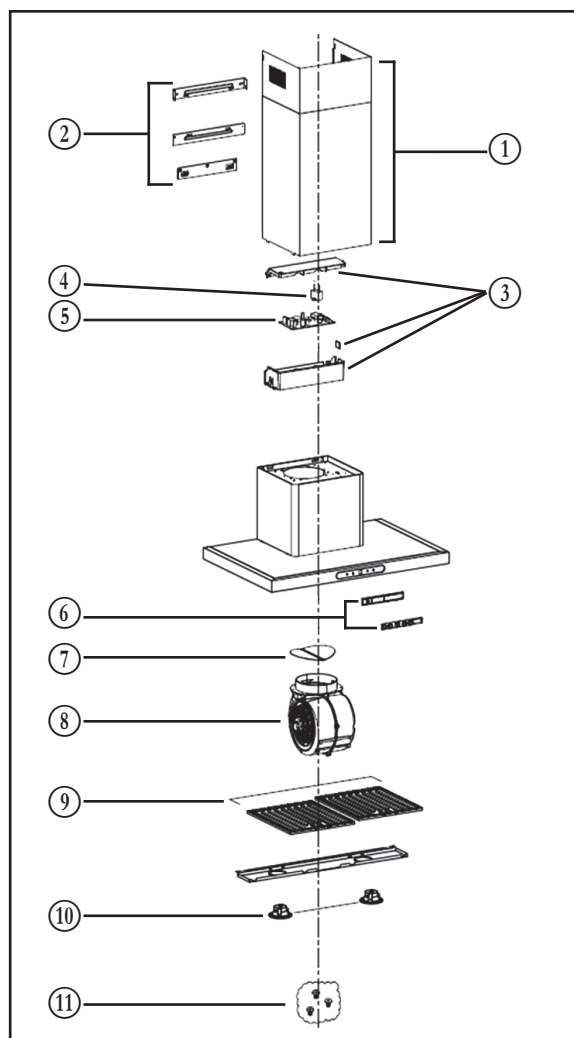


- Glisser le conduit décoratif supérieur vers le haut jusqu'à ce qu'il soit aligné avec son support de montage. Le support doit être à l'intérieur du conduit décoratif. Fixer le conduit supérieur à son support avec deux (2) vis de n° 8 x 3/8 po.
- Enlever la pellicule protectrice en plastique recouvrant la hotte et le conduit décoratif.

### PIÈCES DE RECHANGE

REPÈRE	N° MODÈLE	N° DE PIÈCE	DESCRIPTION	QTÉ
1		S99528454	Conduits décoratifs supérieur et inférieur	1
2		S99010497	Supports de montage (jeu de 3)	1
3		S99529088	Boîtier de plastique de la carte électronique	1
4		S99010491	Condensateur 30µf	1
5		S1104711	Carte électronique	1
6		S1104709	Ensemble boutons	1
7		S99010499	Clapets	1
8		S1104710	Ensemble moteur/ventilateur 600 pi³/min	1
9	30" T-Style	S99010487	Filtre hybride (Paire)	1
	36" T-Style	S99010488	Filtre hybride (3 par hotte)	1
10		S99529091	Modules DEL 5,5 W	2
11		S99010501	Sachet de pièces	1
		S99010494	Filtres de recirculation pour installation sans conduits (Paire)	1
		FILTERBWPTS	Filtres de recirculation pour installation sans conduits (Paire)	1
		S99526985	Ensemble de plenum pour recirculation	1
		ARKBWT	Ensemble de recirculation	1
		FXN53SS	Extension conduit décoratif	1
		HCR4	Télécommande	1

\* Inclus avec l'option Ensemble de recirculation - Modèle ARKBWT. Veuillez commander les pièces par n° de pièce et non par n° de repère.



Les pièces de rechange peuvent être commandées sur notre site.

#### PIÈCES DE REMPLACEMENT ET SERVICE

Pour assurer le bon fonctionnement de votre appareil, vous devez toujours utiliser des pièces d'origine provenant de Broan-NuTone LLC ou de Venmar Ventilation ULC. Les pièces d'origine de Broan-NuTone LLC et de Venmar Ventilation ULC sont spécialement conçues pour satisfaire toutes les normes de certification de sécurité applicables. Leur remplacement par des pièces ne provenant pas de Broan-NuTone LLC ou de Venmar Ventilation ULC pourrait ne pas assurer la sécurité de l'appareil, entraîner une réduction sévère des performances ainsi qu'un risque de défaillance prématurée. Broan-NuTone LLC et Venmar Ventilation ULC recommandent également de toujours vous référer à une entreprise de services compétente et reconnue par Broan-NuTone LLC ou Venmar Ventilation ULC pour vos pièces de remplacement et appels de service.

## **GARANTIE**

### **Garantie limitée**

**Période de garantie et exclusions:** Broan NuTone LLC (la « Société ») ou Venmar Ventilation ULC et/ou son subsidiaire garantit au consommateur acheteur initial (« vous ») de son produit (le « Produit ») que celui-ci est exempt de tout vice de matériau ou de fabrication pour une période de un (1) an à compter de la date d'achat originale (ou toute période plus longue que pourrait exiger une loi applicable). La période de la garantie limitée sur toute pièce de remplacement fournie par la Société et sur tout produit réparé ou remplacé en vertu de la présente garantie limitée correspond au reste de la période de garantie originale (ou toute période plus longue que pourrait exiger une loi applicable).

La présente garantie ne s'applique pas aux tubes fluorescents et aux démarreurs, ni aux ampoules halogènes ou incandescentes, fusibles, filtres, conduits, capuchons de toit, capuchons muraux et autres accessoires pour conduits pouvant avoir été achetés séparément et installés avec le produit. La présente garantie ne couvre pas (a) les travaux d'entretien et de service normaux, (b) l'usure normale, (c) tout produit ou toute pièce ayant fait l'objet d'une mauvaise utilisation, d'un abus, d'un usage anormal, d'une négligence, d'un accident, d'un entretien, rangement ou réparation inadéquats ou insuffisants (autre que par la Société), (d) les dommages dus à une mauvaise installation, ou à une installation ou utilisation contraires aux recommandations ou instructions, (e) tout produit déplacé de son lieu d'installation original, (f) les dommages dus à des éléments environnementaux ou naturels, (g) les dommages dus au transport, (h) l'usure naturelle du fini, (i) les produits utilisés à des fins commerciales ou non-résidentielles ou (j) les dommages dus à un incendie, à une inondation ou à un événement fortuit, (k) les produits dont les numéros de série ont été altérés, rendus illisibles ou enlevés. La présente garantie ne couvre que les produits vendus au consommateur initial aux États-Unis et au Canada par la Société ou par les distributeurs américains et canadiens autorisés par la Société.

La présente garantie remplace toute garantie précédente et le consommateur et acheteur initial ne peut la céder à quiconque.

**Aucune autre garantie:** La présente garantie limitée stipule les seules obligations de la Société et votre seul recours en cas de produits défectueux. La garantie ci-dessus est exclusive et remplace toute autre garantie, expresse ou tacite. **LA SOCIÉTÉ EXCLUT TOUTE AUTRE GARANTIE OU CONDITION EXPRESSE ET TOUTE GARANTIE OU CONDITION DÉCOULANT IMPLICITEMENT DE LA LOI, Y COMPRIS, SANS S'Y LIMITER, LES GARANTIES DE VALEUR MARCHANDE ET D'ADÉQUATION À UN USAGE PARTICULIER.** Dans la mesure où la loi en vigueur interdit l'exclusion des garanties tacites ou conditions, la durée de toute garantie tacite est limitée à la période stipulée ci-dessus pour la garantie expresse. Certains territoires ou provinces interdisant de limiter la durée d'une garantie tacite, la limitation ci-dessus peut ne pas s'appliquer à votre situation. Toute description verbale ou écrite du produit a pour seule fin de l'identifier et ne doit pas être interprétée comme une garantie expresse.

Si possible, chaque disposition de cette garantie limitée doit être interprétée de sorte à être en vigueur et valide en vertu des lois applicables, mais si une disposition s'avère interdite ou invalide, elle le sera seulement dans la mesure de cette interdiction ou invalidité, sans invalider le reste de cette disposition ni les autres dispositions de la présente garantie limitée.

**Recours:** Pendant la période de garantie limitée applicable, la Société pourra, à son choix, fournir des pièces de rechange ou réparer ou remplacer, sans frais, tout produit ou toute pièce, dans la mesure où la Société constate qu'il est couvert et contrevient à la présente garantie limitée dans des conditions normales d'utilisation et de service. La Société vous enverra gratuitement le produit réparé ou remplacé ou les pièces de rechange. Vous êtes responsable des frais de démontage, de remontage, d'expédition, d'assurance ou de tous autres frais de transport pour l'envoi du produit ou de la pièce à la Société. Si vous devez envoyer le produit ou la pièce à la Société, tel que la Société vous l'indiquera, vous devrez l'emballer correctement. La Société n'est pas responsable des dommages subis lors du transport. La Société se réserve le droit d'utiliser des produits ou des pièces remis en état, remis à neuf, réparés ou réusinés dans le processus de réparation ou de remplacement sous garantie. Lesdits produits ou pièces seront comparables en fonction et en performance aux produits et pièces d'origine et seront garantis pendant le reste de la période de garantie originale (ou toute période plus longue que pourrait exiger une loi applicable). La Société se réserve le droit, à son entière discrétion, de vous rembourser le prix que vous avez payé pour votre produit en lieu et place d'une réparation ou d'un remplacement. Si le produit ou le composant n'est plus offert, il sera remplacé par un produit de valeur égale ou supérieure, à l'entière discrétion de la Société. Cette mesure constitue votre recours exclusif en cas de violation de cette garantie limitée.

**Exclusion de dommages:** **L'OBLIGATION DE LA SOCIÉTÉ DE FOURNIR DES PIÈCES DE RECHANGE, OU DE RÉPARER OU REMPLACER LE PRODUIT, À SON CHOIX, CONSTITUE VOTRE SEUL ET UNIQUE RECOURS EN VERTU DE LA PRÉSENTE GARANTIE LIMITÉE ET LA SEULE ET UNIQUE OBLIGATION DE LA SOCIÉTÉ. LA SOCIÉTÉ NE PEUT ÊTRE TENUE RESPONSABLE DE TOUT DOMMAGE INDIRECT, CONSÉCUTIF, ACCESSOIRE OU SPÉCIAL DÉCOULANT DE L'UTILISATION OU DU RENDEMENT DU PRODUIT.** Les dommages accessoires comprennent, sans pour autant y être limités, la perte de temps et la privation de jouissance. Les dommages indirects comprennent, sans pour autant y être limités, le coût de réparation ou de remplacement des autres biens endommagés par le mauvais fonctionnement du produit.

**LA SOCIÉTÉ NE POURRA ÊTRE TENUE RESPONSABLE EN RIEN, NI À TOUTES PERSONNES, DE TOUTE OBLIGATION OU RESPONSABILITÉ INCLUANT SANS S'Y LIMITER, LES OBLIGATIONS OU RESPONSABILITÉS ÉMANANT D'UN BRIS DE CONTRAT OU D'UNE VIOLATION DE GARANTIE, LA NÉGLIGENCE OU AUTRE FORME DE PRÉJUDICE, OU TOUT AUTRE THÉORIE DE STRICTE RESPONSABILITÉ CONCERNANT LE PRODUIT, LES ACTIONS, OMISSIONS OU AUTRE DE LA SOCIÉTÉ.**

Certains territoires ou provinces ne permettant pas la limitation ou l'exclusion des dommages indirects ou consécutifs, la limitation ci-dessus peut ne pas s'appliquer à votre situation. La présente garantie vous confère des droits spécifiques reconnus par la loi. D'autres droits pourraient également vous être accordés selon la législation locale en vigueur.

La présente garantie ne couvre que le remplacement ou la réparation des produits ou pièces défectueux à l'usine principale de la Société et ne comprend pas les frais de voyage et ni les dépenses quotidiennes pour une réparation à domicile.

Toute aide que la Société vous fournit en dehors des dispositions, limitations ou exclusions de cette garantie limitée ne constituera en rien une renonciation auxdites dispositions, limitations ou exclusions, et ne prolongera aucunement cette garantie pas plus qu'elle ne la remettra en vigueur. Les conditions, exclusions et les limitations de responsabilités au titre de la présente garantie ne s'appliqueront pas dans la mesure où toute loi applicable l'interdit.

La Société ne vous remboursera aucune dépense encourue par vous pour la réparation ou le remplacement de tout produit défectueux, sauf celles que vous avez encourues avec la permission écrite préalable de la Société.

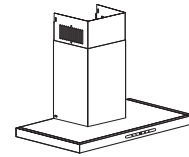
**Comment bénéficiaire du service de garantie:** Pour vous prévaloir de cette garantie, vous devez (a) aviser la Société à l'adresse ou au numéro de téléphone indiqués ci-dessous dans les sept (7) jours du constat de la défectuosité couverte, (b) donner le numéro de modèle du produit et le numéro d'identification de la pièce et (c) décrire la nature de la défectuosité du produit ou de la pièce. Lors de votre demande de garantie, vous devez présenter une preuve de la date d'achat originale. Si vous ne pouvez pas fournir une copie écrite de la garantie limitée originale, les dispositions de la garantie limitée écrite la plus récente de la Société concernant ce produit particulier s'appliqueront. Vous trouverez les garanties limitées écrites les plus récentes des produits de la Société sur les sites [www.broan-nutone.com](http://www.broan-nutone.com) et [www.broan-nutone.ca](http://www.broan-nutone.ca).

Broan-NuTone LLC 926 West State Street, Hartford, WI 53027 [www.broan-nutone.com](http://www.broan-nutone.com) 800 637-1453

Venmar Ventilation ULC, 550 boul. Lemire, Drummondville, Québec, Canada J2C 7W9 [www.broan-nutone.ca](http://www.broan-nutone.ca) 1 877 896-1119

# CAMPANA DE ESTUFA DE CHIMENEA

Para registrar este producto visite:  
[www.broan-nutone.com](http://www.broan-nutone.com) o  
[www.broan-nutone.ca](http://www.broan-nutone.ca)



## LEA Y CONSERVE ESTAS INSTRUCCIONES

**! INDICADA SOLAMENTE PARA COCINAR EN CASA. !**

### ADVERTENCIA

PARA REDUCIR EL RIESGO DE INCENDIO, DESCARGA ELÉCTRICA O LESIONES PERSONALES, OBSERVE LO SIGUIENTE:

1. Use la unidad solo de la manera indicada por el fabricante. Si tiene preguntas, comuníquese con el fabricante a la dirección o al número telefónico que se incluye en la garantía.
2. Antes de dar servicio o limpiar la unidad, interrumpa el suministro eléctrico en el panel de servicio y bloquee los medios de desconexión del servicio para evitar que la electricidad sea reanudada accidentalmente. Cuando no sea posible bloquear los medios de desconexión del servicio, fije firmemente una señal de advertencia (como una etiqueta) en un lugar visible del panel de servicio.
3. Solo personal calificado debe realizar el trabajo de instalación y el cableado eléctrico, de acuerdo con todos los códigos y las normas correspondientes, incluidos los códigos y las normas de construcción específicos sobre protección contra incendios.
4. Es necesario suficiente aire para que se lleve a cabo una combustión y una extracción adecuadas de los gases a través del tubo de humos (chimenea) del equipo quemador de combustible, con el fin de evitar el contratiempo. Siga las directrices y las normas de seguridad del fabricante del equipo de calefacción, como las publicadas por la Asociación Nacional de Protección contra Incendios (National Fire Protection Association, NFPA), la Sociedad Americana de Ingenieros en Calefacción, Refrigeración y Aire Acondicionado (American Society for Heating, Refrigeration and Air Conditioning Engineers, ASHRAE), y las autoridades de los códigos locales.
5. Este producto podría tener bordes afilados. Trabaje con cuidado para evitar cortes y abrasiones durante la instalación o la limpieza.
6. Al cortar o perforar a través de la pared o del techo, tenga cuidado de no dañar el cableado eléctrico ni otros servicios ocultos.
7. Los ventiladores en conductos siempre deben ventearse hacia el exterior.
8. No use esta unidad junto con ningún otro dispositivo de control de velocidad de estado sólido.
9. Utilice únicamente conductos metálicos.
10. Esta unidad debe estar conectada a tierra.

**PARA REDUCIR EL RIESGO DE INCENDIO PROVOCADO POR GRASA PRESENTE EN LA ESTUFA:**

- a) Nunca deje desatendidas las unidades de la superficie cuando estén en ajustes altos de calor. Los alimentos en ebullición provocan derrames grasosos y con humo que se pueden incendiar. Caliente el aceite lentamente en ajustes de calor bajo o medio.
- b) Siempre ENCIENDA la campana cuando esté cocinando a altas temperaturas o flameando alimentos (por ejemplo crepas Suzette, cerezas Jubilee, bistec con pimienta flameado).
- c) Limpie frecuentemente los ventiladores. No permita la acumulación de grasa en el ventilador ni en los filtros.
- d) Use una cacerola del tamaño adecuado. Siempre use utensilios de cocina que sean apropiados para el tamaño del elemento de la superficie.

### ADVERTENCIA

PARA REDUCIR EL RIESGO DE LESIONES PERSONALES EN EL CASO DE QUE LA GRASA DE LA ESTUFA SE INCENDIE, SIGA LAS SIGUIENTES PRECAUCIONES\*:

1. APAGUE LAS LLAMAS con una tapa de ajuste exacto, una charola para galletas o una bandeja de metal, y después apague el quemador. PROCEDA CON CUIDADO PARA EVITAR QUEMADURAS. SI LAS LLAMAS NO SE APAGAN INMEDIATAMENTE, EVACÚE EL ÁREA Y LLAME AL DEPARTAMENTO DE BOMBEROS.
2. NUNCA LEVANTE UNA CACEROLA INCENDIADA, se puede quemar.
3. NO USE AGUA ni toallas húmedas, ya que provocará una violenta explosión de vapor.
4. Use un extintor SÓLO si:
  - A. El extintor es clase ABC y usted sabe cómo usarlo.
  - B. El incendio es pequeño y está confinado al área en la que se inició.
  - C. Se ha llamado al departamento de bomberos.
  - D. Puede combatir el incendio teniendo la espalda orientada hacia una salida.

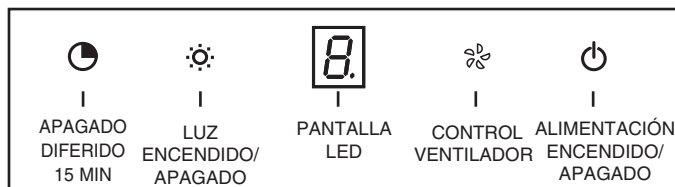
\* Basado en "Kitchen Fire Safety Tips" (Sugerencias para la seguridad contra incendios en la cocina) publicado por NFPA.

### PRECAUCIÓN

1. Solo debe usarse bajo techo.
2. Solo para usarse como medio de ventilación general. No debe usarse para la extracción de materiales o vapores peligrosos o explosivos.
3. Para evitar daños a los cojinetes del motor y rotores ruidosos o desbalanceados, mantenga la unidad de potencia protegida contra rociados de yeso, polvos de construcción, etc.
4. No use equipo para cocinar mayor de 60,000 BTU/hr, pues el motor ventilador se apagará de manera intermitente.
5. Este motor de campana tiene una protección contra sobrecargas térmicas que automáticamente apagará el motor en caso de sobrecalentamiento. El motor reanudará su funcionamiento cuando se enfríe. Si el motor continúa apagándose y encendiéndose, solicite servicio para la campana.
6. La parte inferior de la campana NO DEBE ESTAR A MENOS de 26 pulg. y a un máximo de 36 pulg. por arriba de la estufa, para captar mejor las impurezas que surgen al cocinar.
7. Se recomienda que dos personas hagan la instalación debido al gran tamaño de esta campana.
8. Para reducir el riesgo de incendio y para descargar adecuadamente el aire, asegúrese de dirigir el aire hacia el exterior. No descargue el aire en espacios contenidos entre paredes o cielos rasos, ni en áticos, sótanos bajos ni en la cochera.
9. Tenga cuidado al instalar el tubo de humos decorativo y la campana; pueden tener bordes afilados.
10. Lea la etiqueta de especificaciones del producto para ver información y requisitos adicionales.

**INSTALADOR: DEJE ESTA GUÍA CON EL PROPIETARIO DE LA VIVIENDA.  
 PROPIETARIO DE LA VIVIENDA: EN LA PÁGINA 26 ENCONTRARÁ INFORMACIÓN  
 DE OPERACIÓN Y MANTENIMIENTO.**

## FUNCIONAMIENTO



Esta campana se maneja usando un panel de control capacitivo. Cada función activada se muestra con la retroiluminación del botón tocado.

Tocar el botón ALIMENTACIÓN ENCENDIDO/APAGADO para encender la luz a intensidad baja y el ventilador a velocidad baja. Tocar de nuevo el botón ALIMENTACIÓN ENCENDIDO/APAGADO para apagar el ventilador y la luz.

Tocar el botón LUZ ENCENDIDO/APAGADO para encender la luz a alta intensidad. Tocar de nuevo el botón para encender la luz a baja intensidad, y una otra vez para apagar la luz.

Tocar el botón CONTROL VENTILADOR para encender el ventilador a velocidad baja. La PANTALLA LED muestra "1". Tocar de nuevo el botón para encender el ventilador a velocidad media/baja (PANTALLA LED muestra "2"), y de nuevo para encenderlo a velocidad media/alta (PANTALLA LED muestra "3"). Tocar otra vez para encender el ventilador a velocidad alta (PANTALLA LED muestra "4"), y una otra vez para apagar el ventilador.

Mientras el ventilador funciona a cualquier velocidad, tocar el botón APAGADO DIFERIDO 15 MIN para activar la función apagado diferido, lo que apagará el ventilador y la luz. Para anular esta función, tocar de nuevo el botón APAGADO DIFERIDO 15 MIN o tocar el botón CONTROL VENTILADOR para cambiar la velocidad del ventilador.

## CONTROL REMOTO OPCIONAL

Para mayor comodidad, las campanas de serie EWT también puede controlarse mediante el control remoto opcional HCR4 (comprar por separado). Para más información, véase las instrucciones incluidos con el control remoto HCR4.

## LIMPIEZA Y MANTENIMIENTO

El mantenimiento correcto de la campana de la estufa asegurará el funcionamiento adecuado de la unidad.

### MOTOR

El motor está permanentemente lubricado y nunca necesitará ponerle aceite. Si los cojinetes del motor están haciendo ruido excesivo o inusual, reemplace el ventilador con el ventilado de servicio exacto.

### FILTROS DE GRASA

Los filtros de grasa se deben limpiar con frecuencia. Utilice una solución tibia de detergente y agua. Los filtros de grasa se pueden lavar en lavaplatos. Limpie los filtros completamente metálicos en el lavaplatos con un detergente sin fosfatos. Los filtros se pueden decolorar si se utilizan detergentes con fosfatos o como resultado de la condición del agua local, pero esto no afectará el desempeño del filtro. Esta decoloración no está cubierta por la garantía. Retire los filtros de grasa estirando hacia abajo la cejilla metálica. Esto desprenderá el filtro de la campana. Incline el filtro hacia abajo y quítelo.

### FILTROS DE RECIRCULACIÓN PARA SISTEMAS SIN CONDUCTOS

Los filtros de recirculación para sistemas sin conductos se deben cambiar cada 6 meses. Cámbielo con más frecuencia si su estilo de cocinar genera más grasa, como al freír y al cocinar en una sartén china de cuenco redondo. Gire las lengüetas de montaje del filtro para quitar el filtro y reemplace.

### LIMPIEZA DEL ACERO INOXIDABLE

#### COSAS QUE PUEDE HACER:

- Regularmente, lave con una tela o trapo limpio remojado con agua tibia y jabón o detergente líquido para platos.
- Siempre limpie en la dirección de las líneas originales de pulido.
- Siempre enjuague bien con agua limpia (2 o 3 veces) después de la limpieza. Séquelo por completo.
- También puede usar un limpiador casero especializado para acero inoxidable.

#### COSAS QUE NO DEBE HACER:

- Usar lana de acero o acero inoxidable ni algún otro tipo de raspador para quitar mugre difícil de sacar.
- Usar limpiadores fuertes ni abrasivos.
- Dejar que se acumule la mugre.
- Dejar que el polvo forme plastas ni que quede en la campana algún otro residuo de la construcción. Durante la construcción o la renovación, cubra la campana para estar seguro de que el polvo no se pegue a la superficie de acero inoxidable.

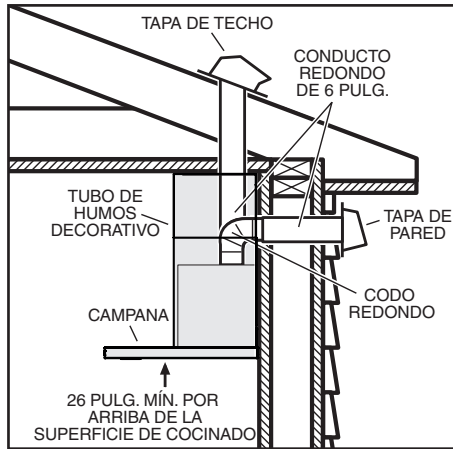
#### Evite: Al elegir un detergente

- Todo limpiador que contenga blanqueador, pues atacará al acero inoxidable.
- Todo producto que contenga: cloruro, fluoruro, yoduro, bromuro, pues deteriorará las superficies rápidamente.
- Todo producto combustible utilizado para la limpieza, como acetona, alcohol, éter, bencol, etc., pues son altamente explosivos y nunca se deben usar cerca de una estufa.



## INSTALE LOS CONDUCTOS (sólo en campanas con conductos)

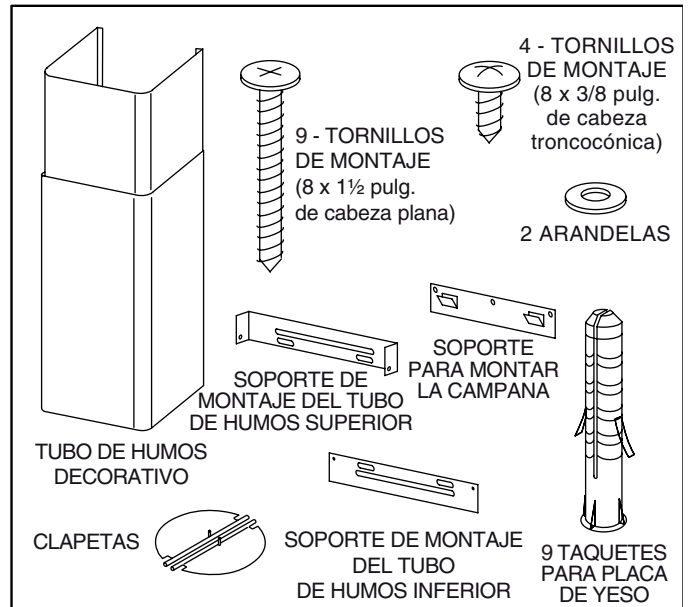
1. Decida dónde instalará el conducto entre la campana y el exterior.
2. Un conducto recto y corto permitirá que la campana funcione más eficientemente.
3. Los tramos largos de conductos, codos y transiciones reducirán el desempeño de la campana. Use tan pocos de ellos como sea posible. Es posible que se requieran conductos más grandes para un mejor funcionamiento con tramos más largos de conductos.
4. Instale la tapa para pared o para techo. Conecte un conducto metálico redondo en la tapa y trabaje hacia atrás, hacia la ubicación de la campana. Use cinta para conductos para sellar las uniones entre las secciones de conductos.



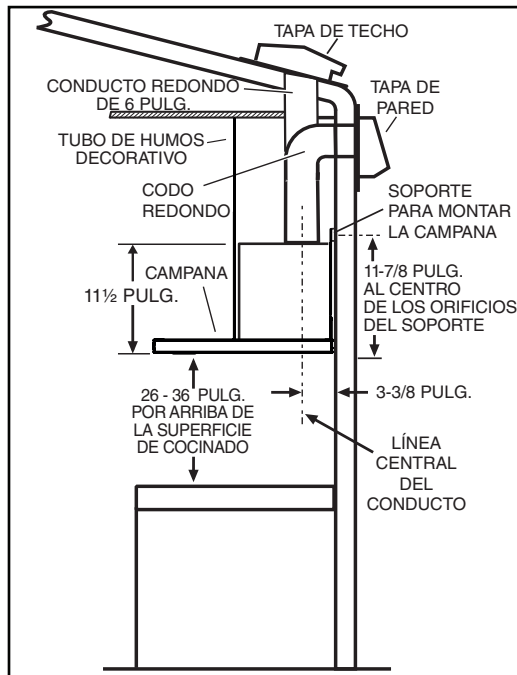
## PREPARE LA CAMPANA

Desempaque la campana y revise el contenido del paquete. Debe contener lo siguiente:

- 1 - campana
- 1 - conjunto del tubo de humos decorativo
- 2 - clapetas
- 1 - soporte de montaje del tubo de humos inferior
- 1 - soporte de montaje del tubo de humos superior
- 1 - soporte de montaje de la campana
- 2 - filtros de aluminio para grasa (**serie EWT1**, incluido en una caja de cartón)
- 2 - filtros deflectores híbridos (**serie EWT1**, incluido en una caja de cartón)
- 1 - Manual de instalación
- 1 - bolsa de piezas con:
  - 4 tornillos de montaje (8 x 3/8 pulg. de cabeza troncocónica)
  - 9 tornillos de montaje (8 x 1½ pulg. de cabeza plana)
  - 9 taquetes para placa de yeso
  - 2 arandelas



## MIDA LA INSTALACIÓN



La distancia mínima de la campana sobre la superficie de la estufa **NO DEBE SER MENOR** de 26 pulg.

Un máximo de 36 pulg. y la encimera es muy recomendable para limpiar mejor las impurezas de cocina.

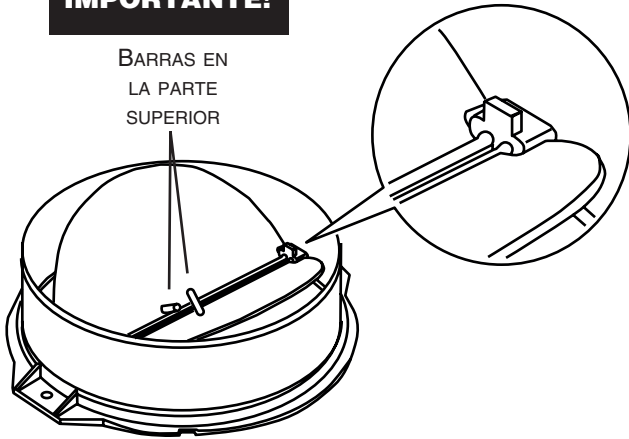
Utilizar distancias superiores a las 36 pulg. quedan a discreción del usuario y del instalador, siempre y cuando lo permita la altura hasta el cielo raso.

## PREPARE LA CAMPANA (CONTINUACIÓN)

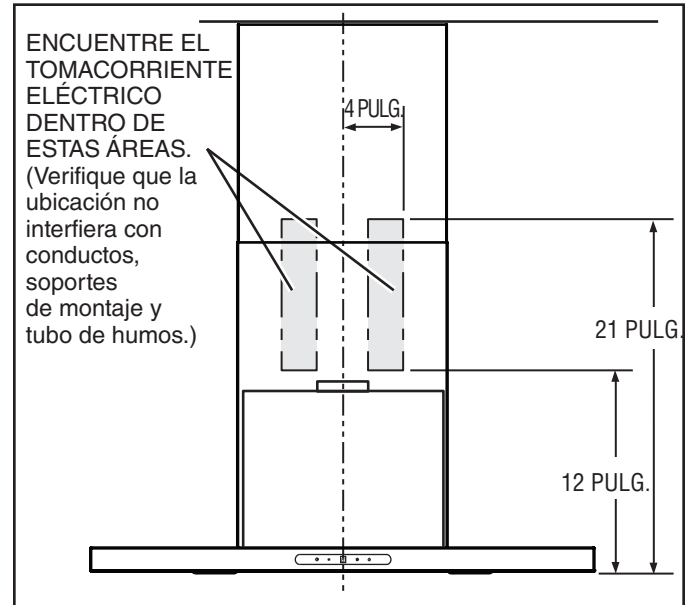
**Para las instalaciones con conducto solamente:**  
 Instalar ambas clapetas al interior de la abertura de descarga del ventilador, asegúrese de que las barras están en la parte superior de las clapetas. Vease la ilustración abajo.

**IMPORTANTE!**

BARRAS EN LA PARTE SUPERIOR



## INSTALE EL CABLEADO



### 1. INSTRUCCIONES PARA LA PUESTA A TIERRA

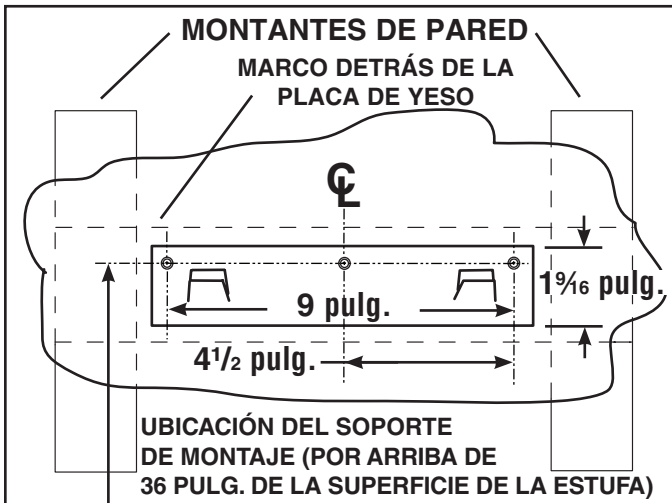
Este aparato debe estar conectado a tierra. En caso de un corto circuito eléctrico, la puesta a tierra reduce el riesgo de una descarga eléctrica al suministrar un cable de escape para la corriente eléctrica. Este aparato está equipado con un cordón que tiene un cable con una clavija a tierra. La clavija debe conectarse a una toma eléctrica que esté instalada y conectada a tierra adecuadamente.

**NOTA:**

**Se recomienda un tomacorriente de “reloj” ahuecado.**

- Coloque el tomacorriente eléctrico dentro del espacio cubierto por el tubo de humos decorativo y donde no interfiera con el conducto redondo. Asegúrese de que el tomacorriente no interfiera con el área de sujeción del soporte de montaje, conductos o donde el tubo de humos decorativo toque la pared.

**INSTALE EL SOPORTE DE MONTAJE DE LA CAMPANA**



41 7/8 pulg. = parte inferior de la campana,  
30 pulg. arriba de la estufa

1. Construya un bastidor de madera en la pared que quede al ras de la superficie interior de los montantes de la pared.  
Asegúrese de que:
  - a) El bastidor esté centrado en el lugar de la instalación.
  - b) La altura del bastidor permita fijar el soporte de montaje en el bastidor dentro de las dimensiones mostradas.
2. Después de terminar con la superficie de la pared, centre con cuidado y nivele el soporte de montaje de la campana, y asegúrelo al bastidor de la pared con tres (3) tornillos de montaje de 8 x 1 1/2 pulg. Apriete totalmente los tornillos.  
NOTA: No use taquetes para placa de yeso.

NOTA:

**En los cielos rasos de 8 pies**

La distancia de la campana arriba de la estufa es: Mínima de 26 pulg., máxima de 36 pulg. (para la descarga para sistemas sin conductos y con conductos).

**En los cielos rasos de 9 pies**

La distancia de la campana arriba de la estufa es: Mínima de 32 pulg., máxima de 36 pulg. (para la descarga para sistemas sin conductos y con conductos).

**En los cielos rasos de 10 pies**

La distancia de la campana arriba de la estufa es: Mínima de 32 pulg., máxima de 36 pulg. (para la descarga para sistemas sin conductos y con conductos).

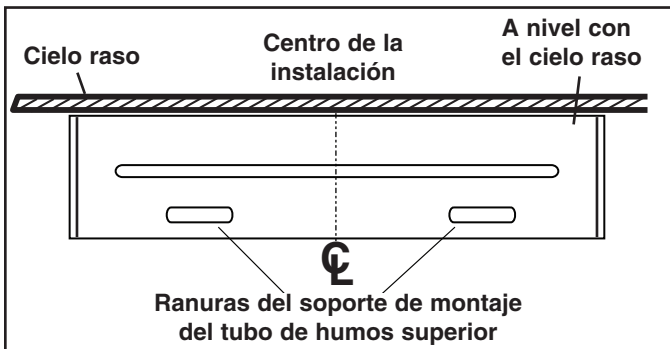
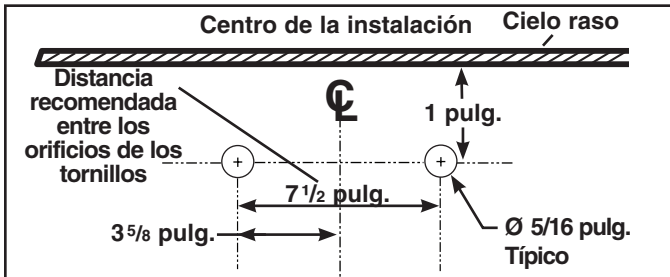
**NOTA: Los cielos rasos de 10 pies requieren una extensión del tubo de humos de 10 pies, modelo FXN53SS para instalaciones con conductos o sin conductos (se compra por separado).**

ALTURA DEL CIELO RASO	CONFIGURACIÓN	DISTANCIA DE LA CAMPANA POR ENCIMA DE LA SUPERFICIE DE LA ESTUFA DE 36" DE ALTA										
		26"	27"	28"	29"	30"	31"	32"	33"	34"	35"	36"
		UBICACIÓN DEL SOPORTE DE MONTAJE POR ENCIMA DE LA ESTUFA DE 36" DE ALTA										
8 PIES	CON CONDUCTOS	37-7/8"	38-7/8"	39-7/8"	40-7/8"	41-7/8"	42-7/8"	43-7/8"	44-7/8"	45-7/8"	---	---
	SIN CONDUCTOS	37-7/8"	38-7/8"	39-7/8"	40-7/8"	41-7/8"	42-7/8"	---	---	---	---	---
9 PIES	CON CONDUCTOS	---	---	---	---	---	---	43-7/8"	44-7/8"	45-7/8"	46-7/8"	47-7/8"
	SIN CONDUCTOS	---	---	---	---	---	---	43-7/8"	44-7/8"	45-7/8"	46-7/8"	47-7/8"
10 PIES	CON CONDUCTOS	---	---	---	---	---	---	43-7/8"	44-7/8"	45-7/8"	46-7/8"	47-7/8"
	SIN CONDUCTOS	---	---	---	---	---	---	43-7/8"	44-7/8"	45-7/8"	46-7/8"	47-7/8"

NOTA:

La distancia mínima de la campana sobre la superficie de la estufa no debe ser menor de 26 pulg. Las distancias mayores de 36 pulg. sobre la superficie de la estufa se dejan a criterio de la persona que hace la instalación y del usuario, siempre y cuando la altura del techo y la longitud del tubo de humos lo permitan.

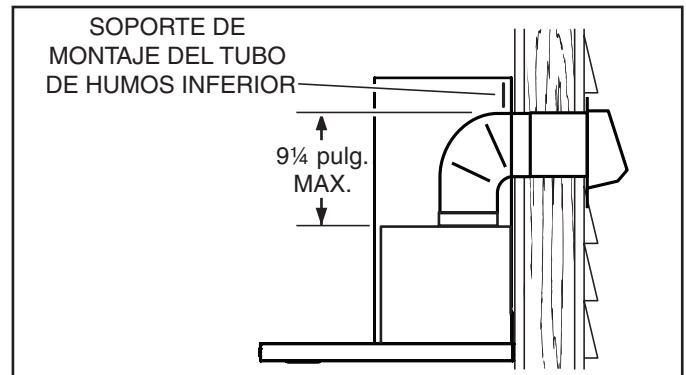
## INSTALACIÓN DEL SOPORTE DE MONTAJE DEL TUBO DE HUMOS SUPERIOR



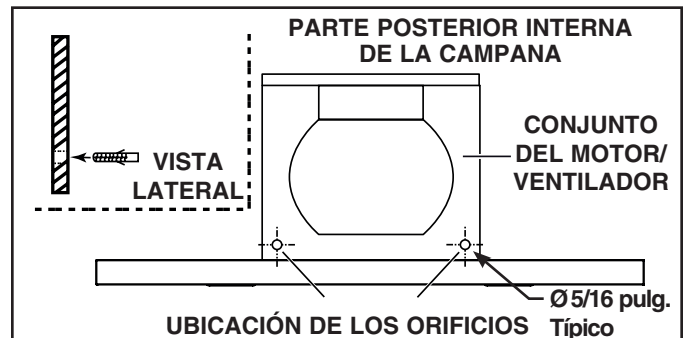
1. Si no tiene ahí un bastidor, perforo dos orificios de 5/16 pulg. de diámetro donde se muestra. Inserte los taquetes para placa de yeso en los orificios.
2. Centre el soporte sobre la ubicación de la campana y a nivel con el cielo raso. Asegúrese de que las ranuras del soporte del tubo de humos superior estén en la parte inferior. Fije el soporte del tubo de humos superior a la pared utilizando dos (2) tornillos de montaje de 8 x 1 1/2 pulg.
3. Apriete totalmente los tornillos. Asegúrese de que el soporte esté apretado contra la pared.

## INSTALACIÓN DE LA CAMPANA (Sólo con conductos horizontales)

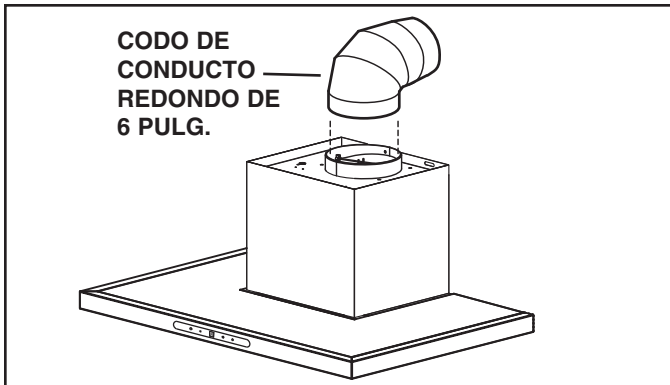
1. En este momento NO QUITE la película de plástico protector que cubre el tubo de humos decorativo y la campana.
2. Deje la parte posterior de la campana plana sobre una mesa. Utilice un pedazo de cartón para evitar dañar la mesa o la campana.
3. Retire los filtros de grasa estirando hacia abajo la cejilla metálica e inclinando los filtros hacia abajo para quitarlos.



4. Gire con cuidado la campana hacia arriba.
5. Asegúrese de que habrá una distancia adecuada entre la parte superior de la campana y el soporte de montaje del tubo de humos inferior para que el codo pueda colocarse debajo del soporte de montaje del tubo de humos inferior.
6. Alinee la campana y céntrela arriba del soporte de montaje de la campana. Lentamente baje la campana hasta que se fije con seguridad en el soporte.



7. Con la campana colgada en su lugar, perforo los dos orificios situados en la parte interior trasera de la campana, con una broca de 5/16 pulg. Inserte los taquetes para placa de yeso incluidos en los orificios perforados (uno para cada orificio). Instale dos (2) arandelas y dos (2) tornillos de montaje de 8 x 1 1/2 pulg. a través de la parte trasera de la campana y en los taquetes para placa de yeso. Verifique que la campana esté centrada y nivelada. Apriete totalmente todos los tornillos.
8. Reinstale los filtros para grasa alineando las lengüetas posteriores del filtro con las ranuras de la campana. Estire hacia abajo la lengüeta metálica del cierre, presione el filtro en su posición y libere. Asegúrese de que los filtros estén seguramente enganchados después de su instalación.



9. Mida e instale los conductos redondos de acero de 6 pulg. a la tapa para techo o a la tapa para pared, y el codo de 90° sobre la abertura de descarga del ventilador en la campana. Use cinta para conductos para fijar y sellar todas las uniones.

10. Conecte el cable eléctrico de la campana en el tomacorriente.



**NOTA: Los cielos rasos de 10 pies requieren una extensión del tubo de humos de 10 pies, modelo FXN53SS para instalaciones con conductos o sin conductos (se compra por separado). Deseche el tubo de humos superior incluido con la campana y reemplácelo con la extensión del tubo modelo FXN53SS.**

11. Retire el tubo de humos superior del interior del tubo de humos inferior. Instale el soporte del tubo de humos inferior al tubo de humos inferior usando dos (2) tornillos de soporte del tubo de humos (n.º 8 x 3/8 pulg.). Asegúrese de que el soporte esté colocado por el interior de los rebordes del tubo de humos inferior, con las ranuras en la parte superior. Reemplace con cuidado el tubo de humos superior al interior del tubo de humos inferior. Retire la cubierta de la película de plástico protectora que cubre solamente el tubo de humos inferior.

12. Coloque con cuidado ambos tubos de humos en el área ahuecada de la parte superior de la campana. Empuje ligeramente a un lado el tubo de humos superior para evitar que se dañe al instalar el tubo inferior con la parte superior de la campana. Fije el soporte del tubo de humos superior a la pared utilizando dos (2) tornillos de montaje de 8 x 1½ pulg.

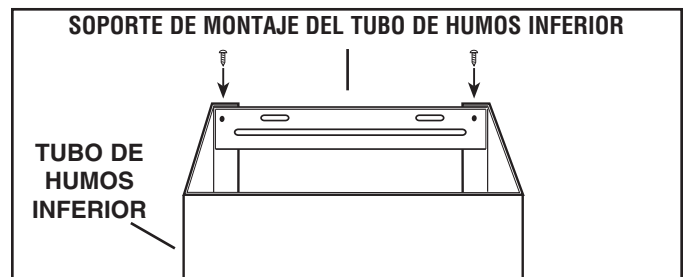


13. Deslice el tubo de humos superior hacia arriba, hasta que quede alineado con su soporte de montaje superior. El soporte debe quedar dentro del tubo de humos. Fije el tubo superior con el soporte de montaje superior, utilizando dos (2) tornillos de montaje de 8 x 3/8 pulg.

14. Quite la película de plástico protector que cubre el tubo de humos superior y la campana.

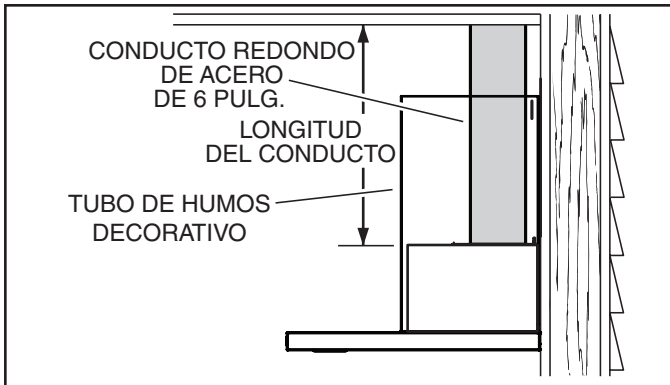
## INSTALACIÓN DE LA CAMPANA (Sólo con conductos verticales)

1. En este momento **NO QUITE** la película de plástico protector que cubre el tubo de humos decorativo y la campana.
2. Deje la parte posterior de la campana plana sobre una mesa. Utilice un pedazo de cartón para evitar dañar la mesa o la campana.
3. Retire los filtros de grasa estirando hacia abajo la cejilla metálica e inclinando los filtros hacia abajo para quitarlos.
4. Gire con cuidado la campana hacia arriba.

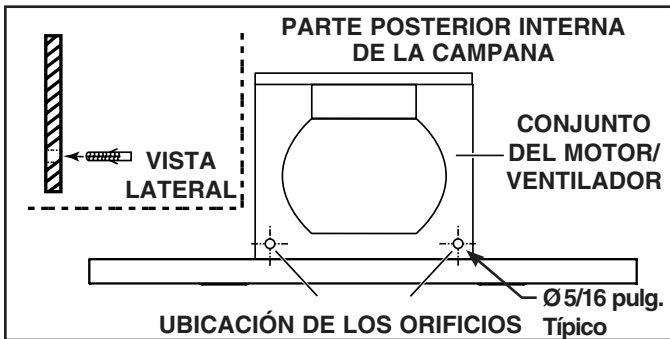


**NOTA: Los cielos rasos de 10 pies requieren una extensión del tubo de humos de 10 pies, modelo FXN53SS para instalaciones con conductos o sin conductos (se compra por separado). Deseche el tubo de humos superior incluido con la campana y reemplácelo con la extensión del tubo modelo FXN53SS.**

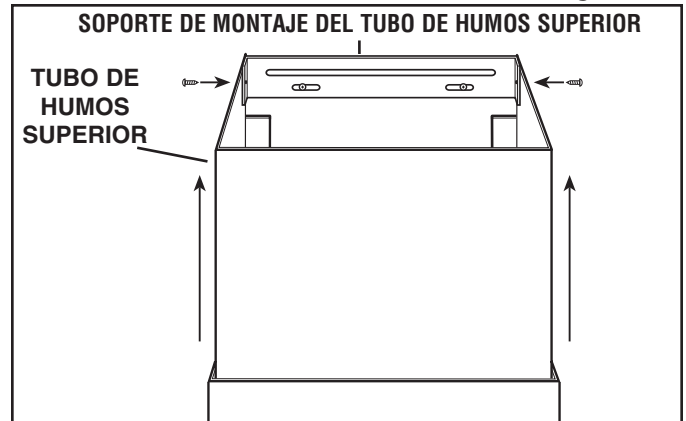
5. Retire el tubo de humos superior del interior del tubo de humos inferior. Instale el soporte del tubo de humos inferior al tubo correspondiente usando dos (2) tornillos de soporte del tubo de humos (n.º 8 x 3/8 pulg.). Asegúrese de que el soporte esté colocado por el interior de los rebordes del tubo de humos inferior, con las ranuras en la parte superior. Reemplace con cuidado el tubo de humos superior al interior del tubo de humos inferior. Retire la cubierta de la película de plástico protectora que cubre solamente el tubo de humos inferior.
6. Coloque con cuidado ambos tubos de humos en el área ahuecada de la parte superior de la campana.



7. Mida e instale los conductos redondos de acero de 6 pulg. a la abertura de descarga del ventilador en la campana. Use cinta para conductos para fijar y sellar todas las uniones.
8. Sostenga la campana cerca de la ubicación de montaje en la pared y conecte el cordón eléctrico en el tomacorriente.
9. Alinee la campana y céntrala arriba del soporte de montaje de la campana. Asegúrese de que los conductos en la campana se alineen y se fijen a los conductos en el cielo raso. Lentamente baje la campana hasta que se fije con seguridad en el soporte.
10. Use cinta para conductos para fijar y sellar todas las uniones.



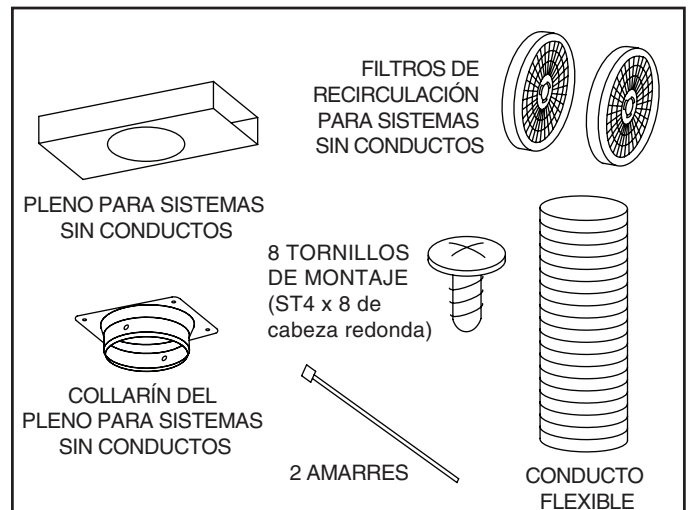
11. Con la campana colgada en su lugar, perforo los dos orificios situados en la parte interior trasera de la campana, con una broca de 5/16 pulg. Inserte los taquetes para placa de yeso incluidos en los orificios perforados (uno para cada orificio). Instale dos (2) arandelas y dos (2) tornillos de montaje de 8 x 1½ pulg. a través de la parte trasera de la campana y en los taquetes para placa de yeso. Verifique que la campana esté centrada y nivelada. Apriete totalmente todos los tornillos.
12. Reinstale los filtros para grasa alineando las lengüetas posteriores del filtro con las ranuras de la campana. Estire hacia abajo la lengüeta metálica del cierre, presione el filtro en su posición y libere. Asegúrese de que los filtros estén seguramente enganchados después de su instalación.
13. Empuje ligeramente a un lado el tubo de humos superior para evitar que se dañe al instalar el tubo inferior con la parte superior de la campana. Fije el soporte del tubo de humos superior a la pared utilizando dos (2) tornillos de montaje de 8 x 1½ pulg.



14. Deslice el tubo de humos superior hacia arriba, hasta que quede alineado con su soporte de montaje superior. El soporte debe quedar dentro del tubo de humos. Asegure el tubo superior con el soporte de montaje correspondiente, utilizando dos (2) tornillos de montaje de 8 x 3/8 pulg.
15. Quite la película de plástico protector que cubre el tubo de humos superior y la campana.

## INSTALACIÓN DE LA CAMPANA (Únicamente en campanas sin conductos)

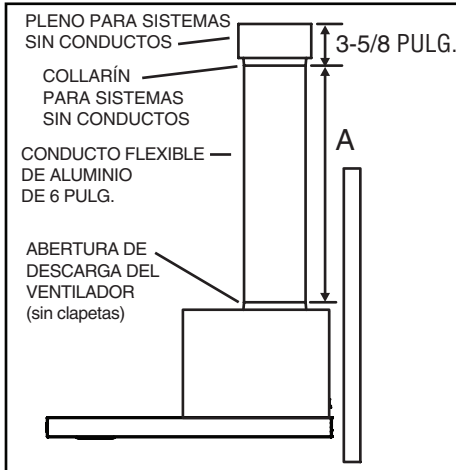
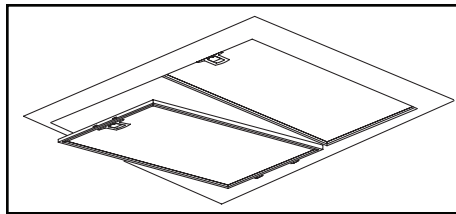
### CONTENIDO DEL KIT PARA SISTEMAS SIN CONDUCTOS MODELO ARKBWT



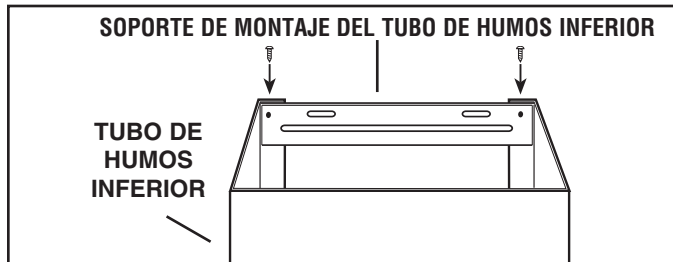
**NOTA: Las instalaciones sin conductos requieren el kit para sistemas sin conductos, modelo ARKBWT (se compra por separado).**

1. **PRECAUCIÓN:** Utilice únicamente el conducto flexible suministrado.
2. En este momento no quite la película de plástico protector que cubre el tubo de humos decorativo y la campana.
3. Deje la parte posterior de la campana plana sobre una mesa. Utilice un pedazo de cartón para evitar dañar la mesa o la campana.

4. Retire los filtros de grasa estirando hacia abajo la cejilla metálica e inclinando los filtros hacia abajo para quitarlos.
5. Fije el collarín para sistemas sin conductos al pleno usando cuatro (4) tornillos de cabeza troncocónica n.º 8 x 3/8 pulg.
6. Mida la distancia "A". Será la longitud del conducto flexible extendido.
7. Fije el conducto flexible de aluminio a la abertura de descarga del ventilador con un amarre.
8. Fije el conducto flexible al collarín del pleno para sistemas sin conductos y fíjelo con un amarre. Coloque cinta para conductos en todas las uniones.

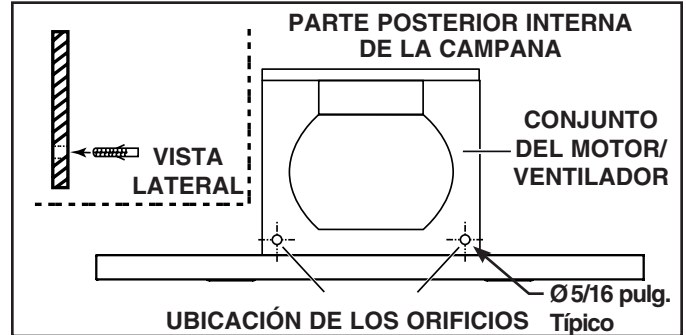


**NOTA:** Los cielos rasos de 10 pies requieren una extensión del tubo de humos de 10 pies, modelo FXN53SS para instalaciones con conductos o sin conductos (se compra por separado). Deseche el tubo de humos superior incluido con la campana y reemplácelo con la extensión del tubo modelo FXN53SS.

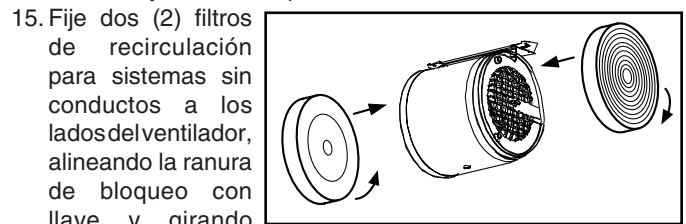


9. Retire el tubo de humos superior del interior del tubo de humos inferior. Instale su soporte al tubo de humos inferior usando dos (2) tornillos de soporte del tubo de humos (n.º 8 x 3/8 pulg.). Asegúrese de que el soporte esté colocado por el interior de los rebordes del tubo de humos inferior, con las ranuras en la parte superior. Reemplace con cuidado el tubo de humos superior al interior del tubo de humos inferior. Retire la cubierta de la película de plástico protectora que cubre solamente el tubo de humos inferior.
10. Coloque con cuidado ambos tubos de humos en el área ahuecada de la parte superior de la campana. Empuje ligeramente a un lado el tubo de humos superior para evitar que se dañe al instalar el tubo inferior con la parte superior de la campana. Fije el soporte del tubo de humos superior a la pared utilizando dos (2) tornillos de montaje de 8 x 1½ pulg.
11. Fije el pleno con collarín para sistemas sin conductos al tubo de humos superior usando cuatro (4) tornillos de cabeza troncocónica n.º 8 x 3/8 pulg.

12. Sostenga la campana cerca de la ubicación de montaje en la pared y conecte el cordón eléctrico en el tomacorriente.
13. Alinee la campana y céntrala arriba del soporte de montaje de la campana. Lentamente baje la campana hasta que se fije con seguridad en el soporte.

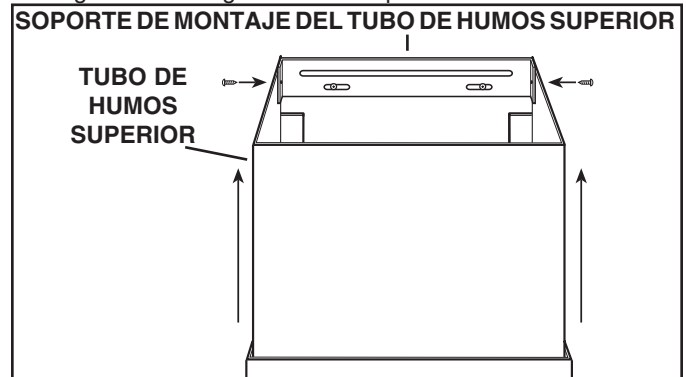


14. Con la campana colgada en su lugar, perforo los dos orificios situados en la parte interior trasera de la campana, con una broca de 5/16 pulg. Inserte los taquetes para placa de yeso incluidos en los orificios perforados (uno para cada orificio). Instale dos (2) arandelas y dos (2) tornillos de montaje de 8 x 1½ pulg. a través de la parte trasera de la campana y en los taquetes para placa de yeso. Verifique que la campana esté centrada y nivelada. Apriete totalmente todos los tornillos.



15. Fije dos (2) filtros de recirculación para sistemas sin conductos a los lados del ventilador, alineando la ranura de bloqueo con llave y girando hasta que los filtros se fijen en su lugar. Para reemplazar los filtros de recirculación para sistemas sin conductos, compre el S99010494 (juego de 2 filtros).

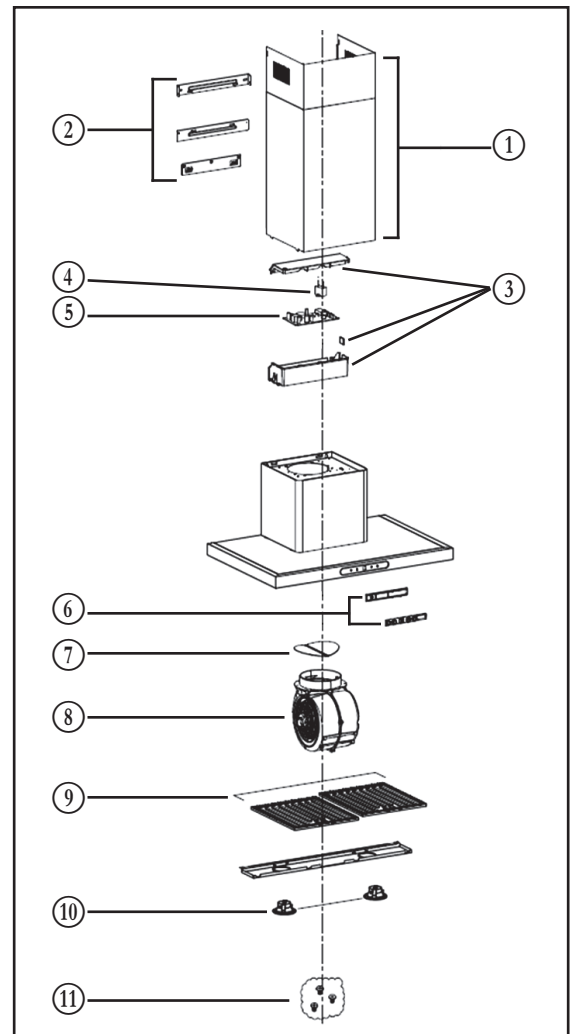
16. Reinstale los filtros para grasa alineando las lengüetas posteriores del filtro con las ranuras de la campana. Estire hacia abajo la lengüeta metálica del cierre, presione el filtro en su posición y libere. Asegúrese de que los filtros estén seguramente enganchados después de su instalación.



17. Deslice el tubo de humos superior hacia arriba, hasta que quede alineado con su soporte de montaje superior. El soporte debe quedar dentro del tubo de humos. Asegure el tubo superior con el soporte de montaje correspondiente, utilizando dos (2) tornillos de montaje de n.º 8 x 3/8 pulg.
18. Quite la película de plástico protector que cubre el tubo de humos y la campana.

### PIEZAS DE SERVICIO

CLAVE	N° DE MODELO	N° DE PIEZA	DESCRIPCIÓN	CANT.
1		S99528454	Tubos de humos decorativos superior e inferior	1
2		S99010497	Soportes de montaje (juego de 3)	1
3		S99529088	Tapa de plástico de la placa electrónica	1
4		S99010491	Condensador 30µf	1
5		S1104711	Placa electrónica	1
6		S1104709	Conjunto de control	1
7		S99010499	Clapetas	1
8		S1104710	Conjunto de motor/ventilador 600 pi³/min	1
9	30 pulg. Estilo T	S99010487	Filtro híbrido (par)	1
	36 pulg. Estilo T	S99010488	Filtro híbrido (juego de 3)	1
10		S99529091	Modulos LED 5,5 Vatios	2
11		S99010501	Bolsa de piezas	1
		S99010494	Filtros de recirculación para sistemas sin conductos (par)	1
		FILTERBW-PTS	Filtros de recirculación para sistemas sin conductos (par)	1
		S99526985	Conjunto de cámara para recirculación	1
		ARKBWT	Conjunto de recirculación	1
		FXN53SS	Extensión tubo de humos decorativo	1
		HCR4	Control remoto	1



Se pueden hacer los pedidos de las piezas de repuesto en nuestro sitio Web.

#### REPUESTOS Y REPARACIONES

Para que el aparato esté en buenas condiciones, use sólo repuestos genuinos Broan-NuTone LLC o Venmar Ventilation ULC. Los repuestos genuinos Broan-NuTone LLC o Venmar Ventilation ULC están diseñados especialmente para cada unidad y han sido fabricados para responder a las normas de certificación aplicables y mantener un alto nivel de seguridad. Los repuestos de otros fabricantes pueden dañar seriamente el aparato y reducir drásticamente su nivel de rendimiento, lo cual podría causar una falla prematura. Broan-NuTone LLC y Venmar Ventilation ULC recomiendan comunicar con un centro de servicios autorizado para todos los repuestos y reparaciones.

\* Se incluye con el conjunto de recirculación - Modelo ARKBWT. Otras piezas de servicio, indicar por número de la pieza, no por número de clave.



## **GARANTÍA**

### **Garantía limitada**

**Periodo y exclusiones de la garantía:** Broan-NuTone LLC o Venmar Ventilation ULC (sea esta la “Compañía”) garantiza al consumidor comprador original de su producto (“usted”) que el producto (el “Producto”) estará libre de defectos en materiales o en mano de obra, por un periodo de un (1) año a partir de la fecha de compra original (o por un periodo mayor según sea requerido por la legislación aplicable). El periodo de garantía limitada para cualquier pieza de repuesto proporcionada por la compañía y para cualquier Producto reparado o reemplazado bajo esta garantía limitada debe ser lo que reste del periodo de garantía original (o por un periodo mayor según sea requerido por la legislación aplicable).

Esta garantía no cubre arrancadores de lámparas fluorescentes, tubos, bombillas de halógeno e incandescentes, fusibles, filtros, conductos, tapas de techo, tapas de pared ni otros accesorios que pudieran ser comprados por separado e instalados con el producto. Esta garantía tampoco cubre (a) mantenimiento y servicio normal, (b) uso y desgaste normal, (c) Productos o piezas sujetos a mal uso, abuso, uso anormal, negligencia, accidente, mantenimiento inadecuado o insuficiente, almacenamiento o reparación (que no sea reparación por parte de la Compañía), (d) daños causados por instalación defectuosa, o bien instalación o uso contrario a las recomendaciones o instrucciones, (e) cualquier Producto que se haya movido de su punto de instalación original, (f) daños ocasionados por el medio ambiente o los elementos naturales, (g) daños en tránsito, (h) desgaste natural del acabado, (i) Productos en uso comercial o no residencial, o (j) daños ocasionados por incendio, inundación u otro caso fortuito o (k) Productos con un número de serie alterado, removido o mutilado. Esta garantía cubre solamente Productos vendidos a clientes originales en los Estados Unidos y Canadá por la Compañía o a distribuidores de EE. UU. y Canadá autorizados por la Compañía.

Esta garantía sustituye todas las garantías anteriores y no es transferible del comprador consumidor original.

**No hay otras garantías:** Esta garantía limitada contiene la única obligación de la Compañía y su único recurso ante productos defectuosos. Las garantías anteriores son exclusivas y en lugar de cualquier otra garantía, expresa o implícita. **LA COMPAÑÍA NIEGA Y EXCLUYE CUALQUIER OTRA GARANTÍA EXPRESA, Y NIEGA Y EXCLUYE TODAS LAS GARANTÍAS IMPLÍCITAS, CONDICIONES Y ESTIPULACIONES IMPLÍCITAS POR LEY, INCLUYENDO, ENTRE OTRAS, LAS DE COMERCIALIZACIÓN Y APTITUD PARA UN PROPOSITO EN PARTICULAR.** Hasta el grado en que la ley aplicable prohíba la exclusión de las garantías implícitas, condiciones y estipulaciones, la duración de cualquier garantía implícita aplicable está limitada al periodo especificado para la garantía expresa antes mencionada. Algunas jurisdicciones no permiten limitaciones en la duración de una garantía implícita, así que la limitación anterior tal vez no aplique en su caso. Cualquier descripción verbal o escrita del Producto es para el único propósito de identificarlo y no deberá considerarse como una garantía expresa.

Siempre que sea posible, toda disposición de esta garantía limitada deberá ser interpretada de tal forma que sea efectiva y válida de conformidad con la ley aplicable, pero si alguna disposición fuera considerada prohibida o inválida, quedará sin efecto solo en virtud de dicha prohibición o invalidez, sin invalidar el resto de dicha disposición o las demás disposiciones restantes de la garantía limitada.

**Recurso:** Durante el periodo de garantía limitada aplicable, la Compañía, a su opción, suministrará piezas de repuesto, o reparará o reemplazará, sin cargo alguno, cualquier Producto o pieza del mismo, hasta el grado en que la Compañía lo encuentre cubierto bajo esta garantía limitada y en incumplimiento de la misma en condiciones normales de uso y servicio. La Compañía le enviará el Producto reparado o reemplazado o las piezas de repuesto sin cargo. Usted es responsable de todos los costos de retiro, reinstalación y envío, seguro u otros cargos de flete incurridos en el envío del Producto o pieza a la Compañía. Si debe enviar el Producto o la pieza a la Compañía, tal como lo indique la Compañía, debe empaquetar adecuadamente el Producto o la pieza: la Compañía no se hace responsable por los daños en tránsito. La Compañía se reserva el derecho de utilizar Productos o piezas reacondicionados, renovados, reparados o refabricados en el proceso de reemplazo o reparación de garantía. Dichos Productos y piezas serán comparables en función y desempeño a un Producto o una pieza original y tendrán garantía durante el resto del periodo de la garantía original (o por un periodo mayor según sea requerido por la legislación aplicable).

La Compañía se reserva el derecho, a su sola discreción, a devolver el dinero que pagó por el Producto en lugar de la reparación o sustitución. Si el producto o componente ya no está disponible o esta discontinuado, el reemplazo podrá ser efectuado por un producto similar de igual o mayor valor, a criterio exclusivo de la Compañía. Este es su único y exclusivo recurso por incumplimiento de esta garantía limitada.

**Exclusión de daños:** **LA OBLIGACIÓN DE LA COMPAÑÍA DE SUMINISTRAR PIEZAS DE REPUESTO, O DE REPARAR O REEMPLAZAR, A OPCIÓN DE LA COMPAÑÍA, SERÁ SU ÚNICO Y EXCLUSIVO RECURSO BAJO ESTA GARANTÍA LIMITADA, Y LA ÚNICA Y EXCLUSIVA OBLIGACIÓN DE LA COMPAÑÍA. LA COMPAÑÍA NO SERÁ RESPONSABLE POR DAÑOS INCIDENTALES, INDIRECTOS, RESULTANTES O ESPECIALES QUE SURJAN POR EL USO O DESEMPEÑO DEL PRODUCTO, O EN RELACIÓN CON EL MISMO.** Los daños incidentales incluyen pero no se limitan a daños tales como pérdida de uso. Los daños consecuentes incluyen pero no se limitan a los gastos de reparación o sustitución de otra propiedad que fue dañada si el Producto no funcionase apropiadamente.

**LA COMPAÑÍA NE SERÁ RESPONSABLE ANTE USTED, NI NINGÚN DERECHOHABIENTE, DE CUALQUIER OTRA OBLIGACIÓN O RESPONSABILIDAD INCLUYENDO, PERO NO LIMITADO A, OBLIGACIONES O RESPONSABILIDADES DERIVADAS DEL INCUMPLIMIENTO DE CONTRATO O GARANTÍA, NEGLIGENCIA U OTRO AGRAVIO O CUALQUIER TEORÍA DE RESPONSABILIDAD OBJETIVA, CON RESPECTO AL PRODUCTO O ACTOS U OMISIONES DE LA COMPAÑÍA DE CUALQUIER OTRA FORMA.**

Algunas jurisdicciones no permiten la exclusión o limitación de daños incidentales o resultantes, por lo que la limitación antes mencionada podría no aplicarse a usted. Esta garantía le otorga derechos legales específicos, y usted podría tener otros derechos que varían de jurisdicción a jurisdicción. Las aclaraciones, exclusiones y limitaciones de responsabilidad bajo esta garantía no aplicarán en la medida que lo prohiban las leyes aplicables.

Esta garantía cubre únicamente el reemplazo o la reparación de Productos defectuosos o piezas de los mismos en la planta principal de la Compañía, y no incluye el costo del viaje para el servicio de campo ni los viáticos.

Cualquier asistencia que proporcione o procure la Compañía para usted fuera de los términos, limitaciones o exclusiones de esta garantía limitada no constituirá una renuncia a dichos términos, limitaciones o exclusiones, ni dicha asistencia extenderá o renovará la garantía.

La Compañía no le reembolsará ningún gasto en el que usted haya incurrido al reparar o reemplazar cualquier Producto defectuoso, excepto los incurridos con el permiso previo por escrito de la Compañía.

**Cómo obtener el servicio cubierto por la garantía:** Para tener derecho al servicio cubierto por la garantía, usted debe (a) notificar a la Compañía a la dirección o número de teléfono que aparecen abajo en un plazo de siete (7) días después de descubrir el defecto cubierto, (b) proporcionar el número de modelo y la identificación de la pieza y (c) describir la naturaleza de cualquier defecto en el Producto o la pieza. En el momento de solicitar el servicio cubierto por la garantía, debe presentar un comprobante de la fecha de compra original. Si usted no puede presentar una copia de la garantía limitada original por escrito, entonces regirán los términos de la garantía limitada por escrito más actualizada de la compañía para su producto en particular. Las garantías limitadas por escrito más actualizadas para los productos de la Compañía se pueden encontrar en [www.broan-nutone.com](http://www.broan-nutone.com) y [www.broan-nutone.ca](http://www.broan-nutone.ca)  
Broan-NuTone LLC 926 West State Street, Hartford, WI 53027 [www.broan-nutone.com](http://www.broan-nutone.com) 800-637-1453  
Venmar Ventilation ULC, 550 Lemire Blvd., Drummondville, Québec, Canada J2C 7W9 [www.broan-nutone.ca](http://www.broan-nutone.ca) 1-877-896-1119