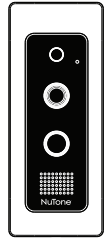


NuTone

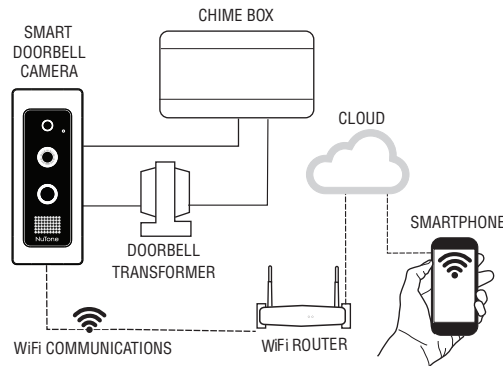
NuTone KNOCK™ Flush Mount

DCAM100FM

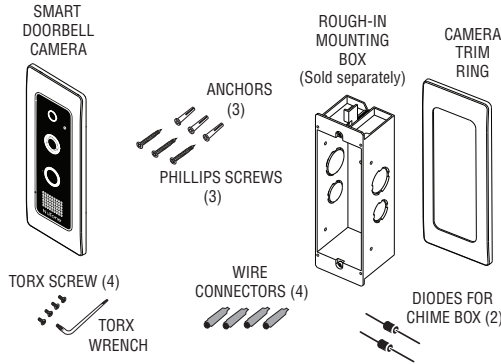


Installation
Instructions

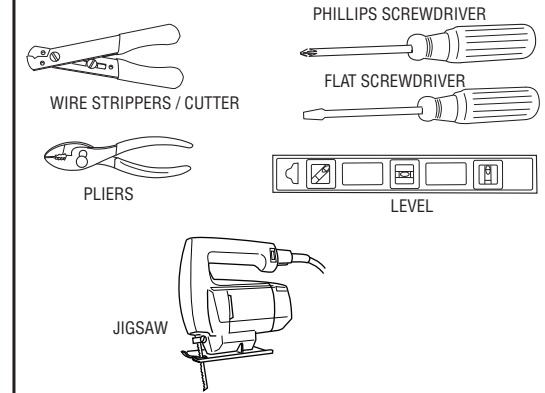
System Description



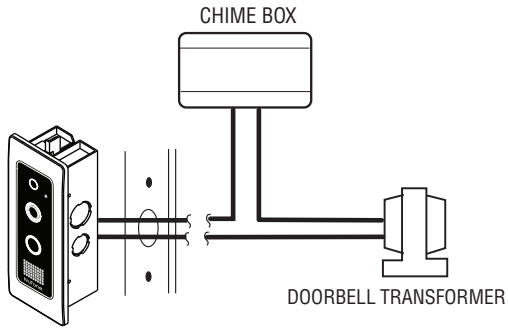
Doorbell Camera Components



Tools For Installation



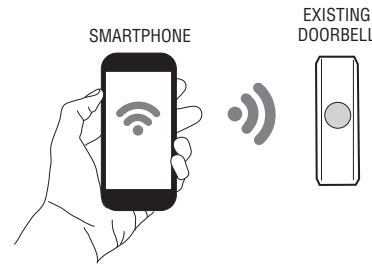
System Overview



1 Prepare for Installation

VERIFY WiFi STRENGTH

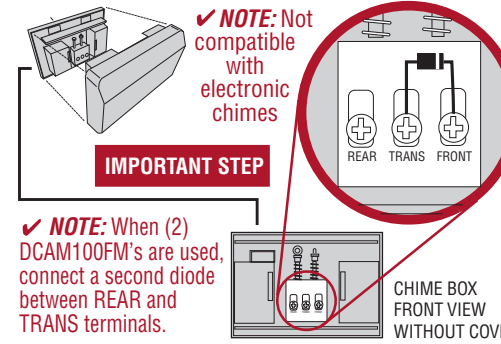
- Go to existing doorbell location.
- Use a Smartphone connected to the installation's WiFi router to confirm adequate signal strength (2 - 3 bars).



2 Installing Diode in Chime Box

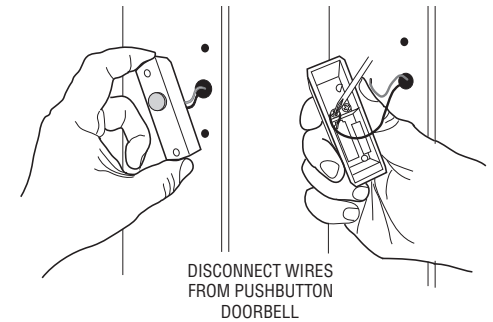
✓ **NOTE:** It is recommended to **TURN POWER OFF** before performing any wiring.

- 1 OPEN CHIME BOX
- 2 INSTALL DIODE AS SHOWN



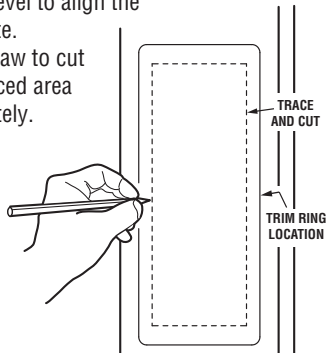
3 Existing Doorbell Removal

- Remove existing doorbell pushbutton from location.
- Disconnect wires from back of pushbutton.



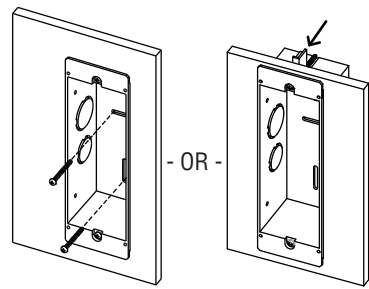
4 Cut Out for Rough-in Box

- Use template (provided) to trace the rough-in cutout area in desired location.
- Use a level to align the template.
- Use a saw to cut out traced area accurately.



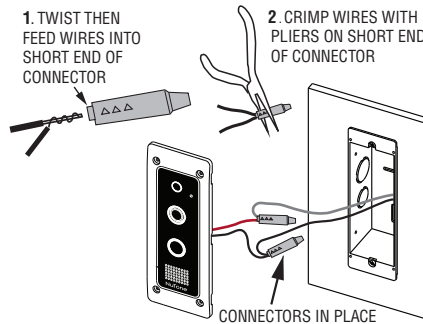
5 Install Rough-in Box

- **Method 1:** Ensure that screws will have proper supporting material in the wall.
- **Method 2:** Wall board must be 1-inch or less in thickness to use tabs. Do not overtighten, as tabs can break.



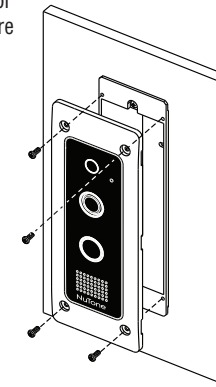
6 Wiring Doorbell Camera

- Run wires into rough in box for electrical connections.
- Connect doorbell wires using weather-resistant wire connectors (included).



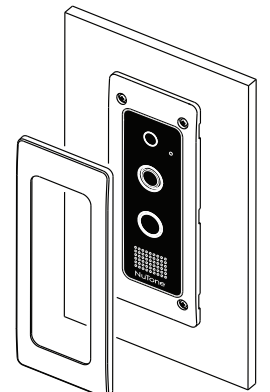
7 Camera Installation / Security Screw

- Use 4 security screws (provided) with tool (provided) to secure camera to rough in box.



8 Complete Installation

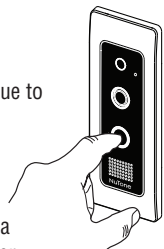
- Press the trim ring into place.



9

TEST Doorbell Camera

- TURN power ON.
- Press doorbell button.
- If chime rings normally, continue to next step.
- If chime DOES NOT ring normally, the voltage of transformer is low. Go to Step 7. Or, replace with a new 16 VAC, 30 VA transformer.
- Check the wire connections on the unit, doorbell, and transformer.



10

LED Indicators Status

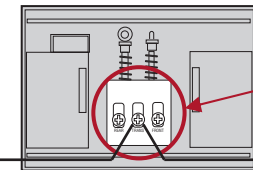
Color	Status	Note
Flashing Blue once	Power ON	
Flashing Blue (Slow)	Cold start at low temperature	
Solid Blue 5 seconds	Connect to 16V transformer without diode	1. Occurs after power on, or push the button 2. Can't ring the chime box
Flashing Blue 5 seconds (fast)	The voltage of transformer is low	1. Occurs after power on, or push the button 2. Proceed to Step 7.
Solid Blue	The voltage of transformer is too high	Doorbell can't work
Solid Red	Powering up	
Flashing Green/Red	Discovery Mode	Skip Step 7 and proceed to Step 8.
Flashing Green (Fast)	Connecting to Cloud Server	
Solid Green	Connected to Cloud Server	Skip Step 7 and proceed to Step 8.
Flashing Green (Slow)	Session in Progress	
Flashing Red (Slow)	Not connected to network	
Flashing Red (Fast)	Firmware update	

11

Wiring Doorbell without Chime Box connected (AC 16V, 10VA ~ 30VA)

If your transformer voltage is too low (see Step 10), proceed with Step 11. Otherwise, skip Step 11 and proceed to Step 12.

1. Turn off the power.
2. Open the chime box.
3. Connect the two wires on the Transformer terminal.
4. Turn on the power.
5. Blue LED flashes once. Doorbell
6. The mechanical chime will no longer ring. Add the optional Wi-Fi Chime if desired.



Connect the two wires on the Transformer terminal.

12

Setup Operation

1. Download Smartphone App
On the resident's Smartphone, download and install the "NuTone Knock™" App from the Google Play Store (for Android phones) or from Apple App Store (for iOS phones).
2. Create an Account
With the Smartphone connected to the local network router via WiFi, select "Create an Account." Enter a name, valid email address, and password for the account, then select "Create an Account." Receive the verification e-mail from webinfo@nutonesmarthomeseries.com with the activation code.
NOTE: Check junk/spam email folder. This code expires in one hour after the email is sent. Enter the activation code in the app and login.
3. Connecting to Doorbell Camera
The doorbell camera should be in Discovery mode and the button indicator should flash red and green. If the indicator does not flash, try pressing the call button for ten to fifteen seconds to enter Discovery mode.
4. Follow Steps on App for Final Setup.

✓ NOTE: Remember to check App for latest version of doorbell camera firmware in the About Device Menu.

Doorbell Camera Troubleshooting

MY DOORBELL APP

Q: The App doesn't save photos or videos on my smartphone?
A: Please ensure you have sufficient memory on your smart device. Also ensure permissions are enabled on the App to access the device memory.

NETWORK

Q: The doorbell doesn't register on the Wi-Fi network. Why?
A: The smart Doorbell Camera may be out of range of your Wi-Fi network. Move the router or install a Wi-Fi extender. Note, the Doorbell Camera supports 2.4Ghz networks only.
Q: The smart Doorbell Camera loses network connectivity?
A: The smart Doorbell Camera may be out of range of your Wi-Fi network. Move the router or install a Wi-Fi extender.

Doorbell Camera Troubleshooting

POWER

Q: The doorbell power cycles off and on?
A: Check that the doorbell camera power wires are securely connected. The existing doorbell wiring may be bad. Refer to Step 7.
Q: Why doesn't the doorbell camera power up?
A: Refer to installation instructions:
1. Confirm transformer power is turned ON.
2. Confirm diode is installed correctly.
3. Confirm wiring / connections are correct and secure.

Accessories for NuTone KNOCK™

MODEL	DESCRIPTION
LA11WH	Wired Door Chime
LA227WH	Wi-Fi Door Chime
S97021209	Mounting Box/Hardware Pack
S97021210	Camera Trim Ring
DCAM100RB	Rough-in Box

Limited Warranty

Warranty Period and Exclusions: Broan (the "Company") warrants to the original consumer purchaser of its product ("you") that the product (the "Product") will be free from material defects in the Product or its workmanship for a period of one (1) year from the date of original purchase.
The limited warranty period for any replacement parts provided by the Company and for any Products repaired or replaced under this limited warranty shall be the remainder of the original warranty period.
This warranty does not cover speed controls, fluorescent lamp starters, tubes, halogen and incandescent bulbs, fuses, filters, ducts, roof caps, wall caps and other accessories for ducting that may be purchased separately and installed with the Product. This warranty also does not cover (a) normal maintenance and service, (b) normal wear and tear, (c) any Products or parts which have been subject to misuse, abuse, abnormal usage, negligence, accident, improper or insufficient maintenance, storage or repair (other than repair by the Company), (d) damage caused by faulty installation, or installation or use contrary to recommendations or instructions, (e) any Product that has been moved from its original point of installation, (f) damage caused by environmental or natural elements, (g) damage in transit, (h) natural wear of finish, (i) Products in commercial or nonresidential use, or (j) damage caused by fire, flood or other act of God. This warranty covers only Products sold to original consumers in the United States by the Company or U.S. distributors authorized by the Company.
This warranty supersedes all prior warranties and is not transferable from the original consumer purchaser.
No Other Warranties: This Limited Warranty contains the Company's sole obligation and your sole remedy for defective products. The foregoing warranties are exclusive and in lieu of any other warranties, express or implied. **THE COMPANY DISCLAIMS AND EXCLUDES ALL OTHER EXPRESS WARRANTIES, AND DISCLAIMS AND EXCLUDES ALL WARRANTIES IMPLIED BY LAW, INCLUDING WITHOUT LIMITATION THOSE OF MERCHANTABILITY AND FITNESS FOR A PARTICULAR PURPOSE.** To the extent that applicable law prohibits the exclusion of implied warranties, the duration of any applicable implied warranty is limited to the period specified for the express warranty above. Some states do not allow limitations on how long an implied warranty lasts, so the above limitation may not apply to you. Any oral or written description of the Product is for the sole purpose of identifying it and shall not be construed as an express warranty.
Whenever possible, each provision of this Limited Warranty shall be interpreted in such manner as to be effective and valid under applicable law, but if any provision is held to be prohibited or invalid, such provision shall be ineffective only to the extent of such prohibition or invalidity, without invalidating the remainder of such provision or the other remaining provisions of the Limited Warranty.
Remedy: During the applicable limited warranty period, the Company will, at its option, provide replacement parts for, or repair or replace, without charge, any Product or part thereof, to the extent the Company finds it to be covered by and in breach of this limited warranty under normal use and service. The Company will ship the repaired or replaced Product or replacement parts to you at no charge. You are responsible for all costs for removal, reinstallation and shipping, insurance or other freight charges incurred in the shipment of the Product or part to the Company. If you must send the Product or part to the Company, as instructed by the Company, you must properly pack the Product or part—the Company is not responsible for damage in transit. The Company reserves the right to utilize reconditioned, refurbished, repaired or remanufactured Products or parts in the warranty repair or replacement process. Such Products and parts will be comparable in function and performance to an original Product or part and warranted for the remainder of the original warranty period.
Exclusion of Damages: **THE COMPANY'S OBLIGATION TO PROVIDE REPLACEMENT PARTS, OR REPAIR OR REPLACE, AT THE COMPANY'S OPTION, SHALL BE YOUR SOLE AND EXCLUSIVE REMEDY UNDER THIS LIMITED WARRANTY AND THE COMPANY'S SOLE AND EXCLUSIVE OBLIGATION. THE COMPANY SHALL NOT BE LIABLE FOR INCIDENTAL, INDIRECT, CONSEQUENTIAL OR SPECIAL DAMAGES ARISING OUT OF OR IN CONNECTION WITH THE PRODUCT, ITS USE OR PERFORMANCE.**
Some states do not allow the exclusion or limitation of incidental or consequential damages, so the above limitation or exclusion may not apply to you. This warranty gives you specific legal rights, and you may also have other rights, which vary from state to state.
This warranty covers only replacement or repair of defective Products or parts thereof at the Company's main facility and does not include the cost of field service travel and living expenses.
Any assistance the Company provides to or procures for you outside the terms, limitations or exclusions of this limited warranty will not constitute a waiver of such terms, limitations or exclusions, nor will such assistance extend or revive the warranty.
The Company will not reimburse you for any expenses incurred by you in repairing or replacing any defective Product, except for those incurred with the Company's prior written permission.
How to Obtain Warranty Service: To qualify for warranty service, you must (a) notify the Company at the address or telephone number stated below within seven (7) days of discovering the covered defect, (b) give the model number and part identification and (c) describe the nature of any defect in the Product or part. At the time of requesting warranty service, you must present evidence of the original purchase date. If you cannot provide a copy of the original written limited warranty, then the terms of the Company's most current written limited warranty for your particular product will control. The most current limited written warranties for the Company's products can be found at www.broan.com.

NuTone

Broan 926 West State Street, Hartford, WI 53027
www.nutone.com 888-336-3948
www.nutone.ca 877-896-1119

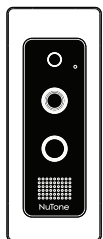
Regulatory Information

The DCAM100FM is certified to comply with applicable FCC and IC rules and regulations governing RF and EMI emissions. Refer to DCAM100FM.
This device complies with Part 15 of the FCC Rules. Operation is subject to the following two conditions: (1) This device may not cause harmful interference, and (2) This device must accept any interference received, including interference that may cause undesired operation.
FCC Notice
This equipment has been tested and found to comply with the limits for a Class B digital device, pursuant to Part 15 of the FCC Rules. These limits are designed to provide reasonable protection against harmful interference in a residential installation.
This equipment generates, uses, and can radiate radio frequency energy and, if not installed and used in accordance with the instructions may cause harmful interference to radio communications. However, there is no guarantee that interference will not occur in a particular installation. If this equipment does cause harmful interference to radio or television reception, which can be determined by turning the equipment off and on, the user is encouraged to try to correct the interference by one or more of the following measures:
• Reorient or relocate the receiving antenna.
• Increase the separation between the equipment and receiver
• Connect the equipment into an outlet on a circuit different from that to which the receiver is connected.
• Consult the dealer or an experienced radio/TV technician for help.
Changes or modifications not expressly approved by the party responsible for compliance could void the user's authority to operate the equipment.
IC Notice
This Class B digital apparatus complies with Canadian ICES-003
This device complies with the Industry Canada license exempt RSS standard(s). Operation is subject to the following two conditions: (1) This device may not cause interference, and (2) this device must accept any interference, including interference that may cause undesired operation of the device.
Cet appareil numérique de la classe B est conforme à la norme NMB-003 du Canada. Le présent appareil est conforme aux CNR d'Industrie Canada applicables aux appareils radio exempts de licence. L'exploitation est autorisée aux deux conditions suivantes : (1) l'appareil ne doit pas produire de brouillage, et (2) l'utilisateur de l'appareil doit accepter tout brouillage radioélectrique subi, même si le brouillage est susceptible d'en compromettre le fonctionnement.

NuTone

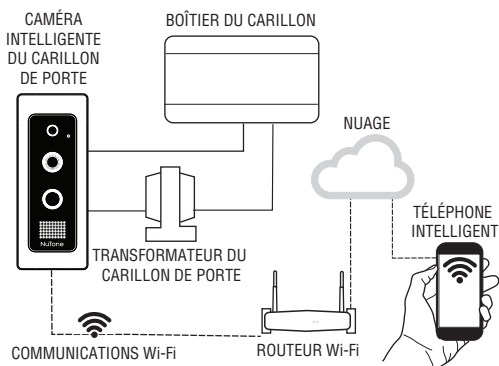
NuTone KNOCK™ Montage encastré

DCAM100FM

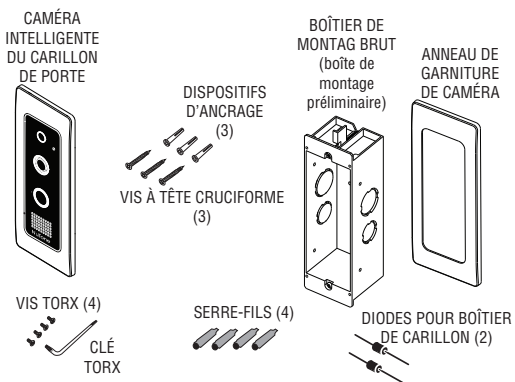


Directives
d'installation

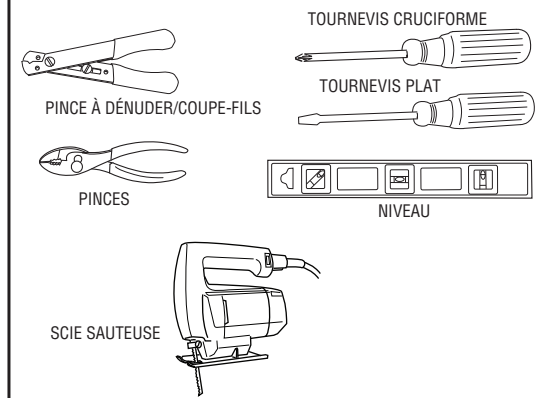
Description du système



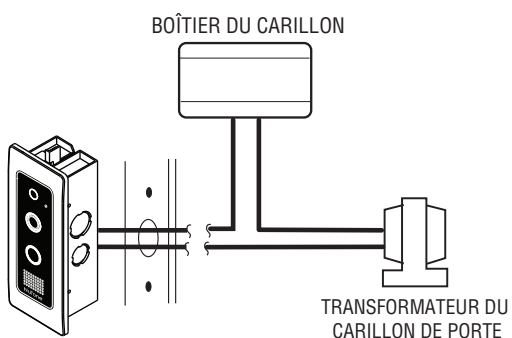
Composantes de la caméra du carillon de porte



Outils requis pour l'installation



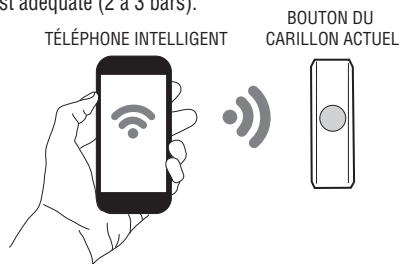
Aperçu du système



1 Préparation pour l'installation

VÉRIFICATION DE LA PUISSANCE DU SIGNAL Wi-Fi

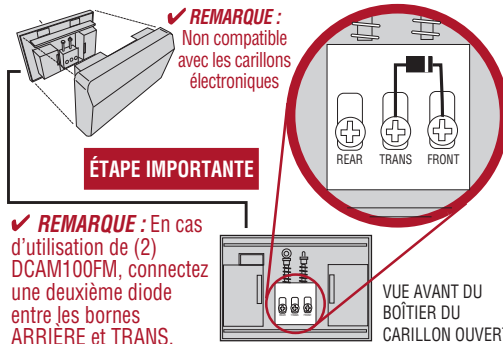
- Allez à l'emplacement actuel du carillon de porte.
- À l'aide d'un téléphone intelligent connecté au routeur Wi-Fi de l'installation, confirmez que la force du signal est adéquate (2 à 3 bars).



2 Installation d'une diode dans le boîtier du carillon

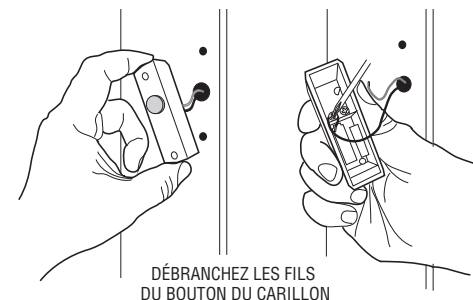
✓ **REMARQUE :** Il est conseillé de **FERMER L'ALIMENTATION** avant de procéder au câblage.

- 1 OUVREZ LE BÔTIER DU CARILLON
- 2 INSTALLEZ LA DIODE COMME ILLUSTRÉ



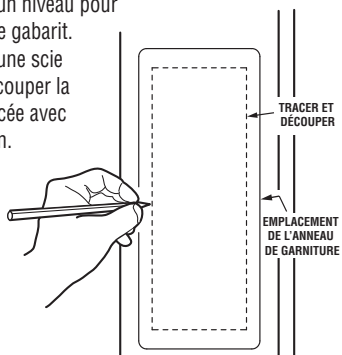
3 Retrait du carillon actuel

- Retirez de l'emplacement le bouton du carillon existant.
- Débranchez les fils de l'arrière du bouton.



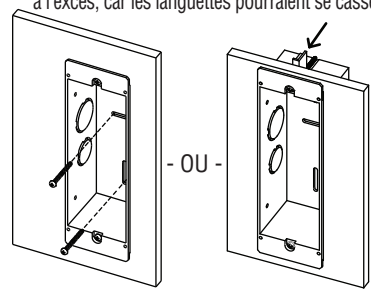
4 Découpe pour le boîtier brut

- Utilisez le gabarit (fourni) pour tracer la zone de découpe préliminaire à l'emplacement désiré.
- Utilisez un niveau pour aligner le gabarit.
- Utilisez une scie pour découper la zone tracée avec précision.



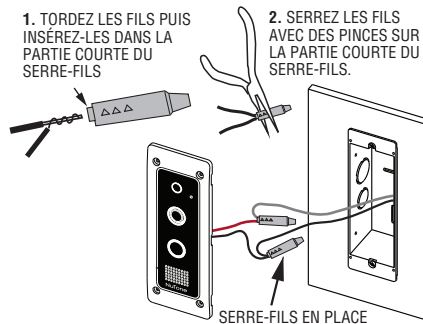
5 Installation du boîtier brut

- **Méthode 1 :** Vérifiez que les vis seront convenablement soutenues dans le mur.
- **Méthode 2 :** L'épaisseur du panneau mural doit être d'un (1) pouce (2,5 cm) ou moins pour permettre l'utilisation de languettes. Ne serrez pas à l'excès, car les languettes pourraient se casser.



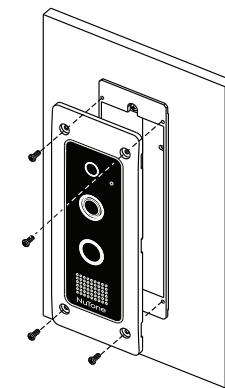
6 Câblage de la caméra du carillon de porte

- Faites passer les fils dans le boîtier brut pour réaliser les connexions électriques.
- Pour connecter les fils du carillon, utilisez des serre-fils résistants aux intempéries (fournis).



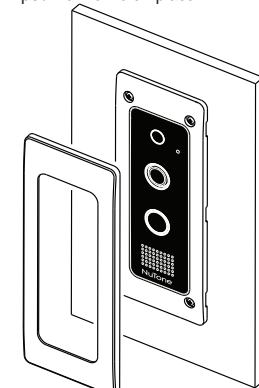
7 Installation de la caméra / Vis de sécurité

- Utilisez 4 vis de sécurité (fournies) avec l'outil (fourni) pour fixer la caméra sur le boîtier brut.



8 Pour terminer l'installation

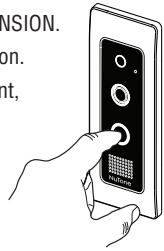
- Appuyez sur l'anneau de garniture pour le mettre en place.



9

TEST de la caméra du carillon

- METTEZ l'alimentation sous TENSION.
- Appuyez sur le bouton du carillon.
- Si le carillon sonne normalement, passez à l'étape suivante.
- Si le carillon NE SONNE PAS normalement, la tension du transformateur est faible. Passez à l'étape 7. Ou, remplacez-le par un transformateur neuf de 16 V CA et 30 VA.
- Vérifiez le branchement des fils sur l'unité, le carillon de porte et le transformateur.



10

État des indicateurs à DEL

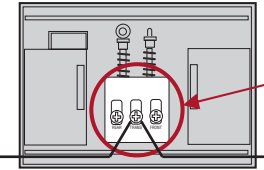
Couleur	État	Remarque
Bleu clignotant (une fois)	Alimentation SOUS TENSION	
Bleu clignotant (lent)	Démarrage à froid à basse température	
Bleu fixe (5 secondes)	Connexion au transformateur 16 V sans diode	1. Se produit après la mise sous tension, ou l'appui sur le bouton 2. Impossible de faire sonner le carillon
Bleu clignotant (5 secondes) (rapide)	Faible tension du transformateur	1. Se produit après la mise sous tension, ou l'appui sur le bouton 2. Passez à l'étape 7
Bleu fixe	Tension du transformateur trop élevée	Le carillon de porte ne peut pas fonctionner
Rouge fixe	Mise sous tension	
Vert/rouge clignotant	Mode Découverte	Omettez l'étape 7 et passez à l'étape 8.
Vert clignotant (rapide)	Connexion au serveur Cloud (nuage) en cours	
Vert fixe	Connecté au serveur Cloud (nuage)	Omettez l'étape 7 et passez à l'étape 8.
Vert clignotant (lent)	Session en cours	
Rouge clignotant (lent)	Non connecté au réseau	
Rouge clignotant (rapide)	Mise à jour logicielle	

11

Câblage du carillon de porte lorsque le boîtier du carillon n'est pas connecté (CA 16 V, 10 VA à 30 VA)

Si la tension de votre transformateur est trop faible (voir l'étape 10), passez à l'étape 11. Sinon, omettez l'étape 11 et passez à l'étape 12.

1. Coupez l'alimentation.
2. Ouvrez le boîtier du carillon.
3. Connectez les deux fils sur la borne du transformateur.
4. Remettez l'alimentation Carillon de porte sous tension.
5. La DEL bleue clignote une fois.
6. Le carillon mécanique ne retient plus. Ajoutez le carillon Wi-Fi en option, si vous le souhaitez.



Connectez les deux fils sur la borne du transformateur.

12

Installation et configuration

1. Télécharger l'application pour téléphone intelligent
Sur le téléphone intelligent du résident, téléchargez et installez l'application « NuTone Knock™ » de la boutique Google Play (pour les téléphones Android) ou de la boutique Apple App (pour les téléphones iOS)
2. Créer un compte
Le téléphone intelligent étant connecté au routeur du réseau local par Wi-Fi, sélectionnez « Créer un compte ». Saisissez un nom, une adresse courriel valide et un mot de passe pour le compte, puis sélectionnez « Créer un compte ». Vous recevrez un courriel de vérification de webinfo@nutonesmarthomeseries.com, accompagné d'un code d'activation.
REMARQUE : Vérifiez le contenu de votre boîte de courriels indésirables. Ce code expire au bout d'une heure après l'envoi du courriel. Entrez le code d'activation dans l'application et connectez-vous.
3. Connexion à la caméra du carillon de porte
La caméra du carillon doit être en mode Découverte et le bouton témoin doit clignoter en rouge et en vert. Si le témoin ne clignote pas, essayez d'appuyer sur le bouton d'appel pendant dix à quinze secondes pour entrer en mode Découverte.
4. Suivre les étapes de l'application pour achever la configuration.

✓ **REMARQUE : N'oubliez pas de rechercher dans l'application la dernière version du micrologiciel de la caméra du carillon de porte dans le menu About (à propos de) du dispositif.**

Dépannage de la caméra de carillon de porte

APPLICATION MY DOORBELL

Q : L'application n'enregistre pas les photos ou les vidéos sur mon téléphone intelligent?

R : Assurez-vous que votre appareil intelligent dispose de suffisamment de mémoire. Vérifiez également que les autorisations sont activées sur l'application pour vous permettre d'accéder à la mémoire de l'appareil.

RÉSEAU

Q : Le carillon ne s'inscrit pas dans le réseau Wi-Fi. Pourquoi?

R : La caméra intelligente du carillon de porte pourrait être hors de portée de votre réseau Wi-Fi. Déplacez le routeur ou installez un amplificateur Wi-Fi. Veuillez noter que la caméra du carillon de porte ne prend en charge que les réseaux de 2,4 Ghz.

Q : La caméra intelligente du carillon de porte perd sa connectivité au réseau?

R : La caméra intelligente du carillon de porte pourrait être hors de portée de votre réseau Wi-Fi. Déplacez le routeur ou installez un amplificateur Wi-Fi.

Dépannage de la caméra de carillon de porte

ALIMENTATION

Q : L'alimentation du carillon de porte s'active et se désactive?
R : Vérifiez que les fils d'alimentation de la caméra du carillon de porte sont solidement branchés. Le câblage actuel du carillon est peut-être en mauvais état. Reportez-vous à l'étape 7.

Q : Pourquoi la caméra du carillon ne se met-elle pas sous tension?

R : Reportez-vous aux directives d'installation.

1. Vérifiez que le transformateur est SOUS TENSION.
2. Vérifiez que la diode est correctement installée.
3. Vérifiez que les fils et les connexions sont corrects et bien assurés.

Accessoires pour NuTone KNOCK™

MODÈLE	DESCRIPTION
LA11WH	Carillon de porte câblé
LA227WH	Carillon de porte Wi-Fi
S97021209	Ensemble Boîtier de montage/éléments de fixation
S97021210	Anneau de garniture de la caméra
DCAM100RB	Boîte de montage préliminaire

NuTone

Broan 926 West State Street, Hartford, WI 53027
www.nutone.com 888-336-3948

Broan Canada 1140 Tristar Drive
Mississauga, Ontario, Canada L5T 1H9
www.nutone.ca 1 877 896-1119

©2017 Broan

99045889B

Garantie limitée

Période de garantie et exclusions : Broan-NuTone LLC (la « Société ») garantit au consommateur acheteur initial (« vous ») de son produit (« le Produit ») que celui-ci est exempt de tout vice de matériau ou de fabrication pour une période de un (1) an à compter de la date d'achat originale.

La période de la garantie limitée sur toute pièce de remplacement fournie par la Société et sur tout produit réparé ou remplacé en vertu de la présente garantie limitée correspond au reste de la période de garantie originale.

La présente garantie ne s'applique pas aux commandes de vitesse, tubes fluorescents et aux démarreurs, ni aux ampoules halogènes ou incandescentes, fusibles, filtres, conduits, capuchons de toit, capuchons muraux et autres accessoires pour conduits pouvant avoir été achetés séparément et installés avec le produit. La présente garantie ne couvre pas (a) les travaux d'entretien et de service normaux, (b) l'usure normale, (c) tout produit ou toute pièce ayant fait l'objet d'une mauvaise utilisation, d'un abus, d'un usage anormal, d'une négligence, d'un accident, d'un entretien, rangement ou réparation inadéquats ou insuffisants (autre que par la Société), (d) les dommages dus à une mauvaise installation, ou à une installation ou utilisation contraires aux recommandations ou instructions, (e) tout produit déplacé de son lieu d'installation original, (f) les dommages dus à des éléments environnementaux ou naturels, (g) les dommages dus au transport, (h) l'usure naturelle du fini, (i) les produits utilisés à des fins commerciales ou non-résidentielles ou (j) les dommages dus à un incendie, à une inondation ou à un événement fortuit. La présente garantie ne couvre que les produits vendus au consommateur initial aux États-Unis par la Société ou par les distributeurs américains autorisés par la Société.

La présente garantie remplace toute garantie précédente et le consommateur et acheteur initial ne peut la céder à quiconque.

Aucune autre garantie : La présente garantie limitée stipule les seules obligations de la Société et votre seul recours en cas de produits défectueux. La garantie ci-dessus est exclusive et remplace toute autre garantie, expresse ou tacite, LA SOCIÉTÉ EXCLUT TOUTE AUTRE GARANTIE EXPRESSE ET TOUTE GARANTIE DÉCOULANT IMPLICITEMENT DE LA LOI, Y COMPRIS, SANS S'Y LIMITER, LES GARANTIES DE VALEUR MARCHANDE ET D'ADEQUATION À UN USAGE PARTICULIER. Dans la mesure où la loi en vigueur interdit l'exclusion des garanties tacites, la durée de toute garantie tacite est limitée à la période stipulée ci-dessus pour la garantie expresse. Certaines juridictions interdisant de limiter la durée d'une garantie tacite, la limitation ci-dessus peut ne pas s'appliquer à votre situation. Toute description verbale ou écrite du produit a pour seule fin de l'identifier et ne doit pas être interprétée comme une garantie expresse.

Si possible, chaque disposition de cette garantie limitée doit être interprétée de sorte à être en vigueur et valide en vertu des lois applicables, mais si une disposition s'avère interdite ou invalide, elle le sera seulement dans la mesure de cette interdiction ou invalidité, sans invalider le reste de cette disposition ni les autres dispositions de la présente garantie limitée.

Recours : Pendant la période de garantie limitée applicable, la Société pourra, à son choix, fournir des pièces de rechange ou réparer ou remplacer, sans frais, tout produit ou toute pièce, dans la mesure où la Société constate qu'il est couvert et contrevient à la présente garantie limitée dans des conditions normales d'utilisation et de service. La Société vous enverra gratuitement le produit réparé ou remplacé ou les pièces de rechange. Vous êtes responsables des frais de démontage, de remontage, d'expédition, d'assurance ou de tous autres frais de transport pour l'envoi du produit ou de la pièce à la Société. Si vous devez envoyer le produit ou la pièce à la Société, tel que la Société vous l'indiquera, vous devez l'emballer correctement. La Société n'est pas responsable des dommages subis lors du transport. La Société se réserve le droit d'utiliser des produits ou des pièces remis en état, remis à neuf, réparés ou réunis dans le processus de réparation ou de remplacement sous garantie. Lesdits produits ou pièces seront comparables en fonction et en performance aux produits et pièces d'origine et seront garantis pendant le reste de la période de garantie originale.

Exclusion de dommages : L'OBLIGATION DE LA SOCIÉTÉ DE FOURNIR DES PIÈCES DE RECHANGE, OU DE RÉPARER OU REMPLACER LE PRODUIT, À SON CHOIX, CONSTITUE VOTRE SEUL ET UNIQUE RECOURS EN VERTU DE LA PRÉSENTE GARANTIE LIMITÉE ET LA SEULE ET UNIQUE OBLIGATION DE LA SOCIÉTÉ. LA SOCIÉTÉ NE PEUT ÊTRE TENUE RESPONSABLE DE TOUT DOMMAGE INDIRECT, CONSÉCUTIF, ACCESSOIRE OU SPÉCIAL DÉCOULANT DE L'UTILISATION OU DU RENDEMENT DU PRODUIT.

Certains territoires ou provinces ne permettant pas la limitation ou l'exclusion des dommages indirects ou consécutifs, la limitation ci-dessus peut ne pas s'appliquer à votre situation. La présente garantie vous confère des droits spécifiques reconnus par la loi. D'autres droits pourraient également vous être accordés selon la législation locale en vigueur.

La présente garantie ne couvre que le remplacement ou la réparation des produits ou pièces défectueux à l'usine principale de la Société et ne comprend pas les frais de voyage et ni les dépenses quotidiennes pour une réparation adomicile. Toute aide que la Société vous fournit en dehors des dispositions, limitations ou exclusions de cette garantie limitée ne constituera en rien une renonciation auxdites dispositions, limitations ou exclusions, et ne prolongera aucunement cette garantie pas plus qu'elle ne la remettra en vigueur.

La Société ne vous remboursera aucune dépense encourue par vous pour la réparation ou le remplacement de tout produit défectueux, sauf celles que vous avez encourues avec la permission écrite préalable de la Société.

Comment bénéficier du service de garantie : Pour vous prévaloir de cette garantie, vous devez (a) aviser la Société à l'adresse ou au numéro de téléphone indiqués ci-dessus dans les sept (7) jours du constat de la défectuosité couverte, (b) donner le numéro de modèle du produit et le numéro d'identification de la pièce et (c) décrire la nature de la défectuosité du produit ou de la pièce. Lors de votre demande de garantie, vous devez présenter une preuve de la date d'achat originale. Si vous ne pouvez pas fournir une copie écrite de la garantie limitée originale, les dispositions de la garantie limitée écrite la plus récente de la Société concernant ce produit particulier s'appliqueront. Vous trouverez les garanties limitées écrites les plus récentes des produits de la Société sur le site www.broan.ca.

Broan Canada 1140 Tristar Drive Mississauga, Ontario, Canada L5T 1H9 www.nutone.ca 1 877 896-1119

Avis relatif à la réglementation

La DCAM100FM est certifiée conforme aux règles et réglementations applicables FCC et CI régissant les émissions RF et EMI. Consultez DCAM100FM.

Cet appareil est conforme aux normes énoncées à la section 15 des règlements de la FCC. Son fonctionnement est assujéti aux conditions suivantes : (1) l'appareil ne doit pas provoquer d'interférences nuisibles, et (2) il doit tolérer les interférences reçues, notamment celles susceptibles de provoquer un fonctionnement non souhaité.

AVIS DE LA FCC

Cet équipement a été testé et constaté conforme aux limites des appareils numériques de Classe B, en vertu de la section 15 des Règlements de la FCC. Ces limites visent à offrir une protection raisonnable contre les interférences indésirables dans une installation résidentielle.

Cet équipement génère, utilise et peut émettre des radiofréquences et, s'il n'est pas installé et utilisé conformément aux instructions, peut produire des interférences nuisibles pour les radiocommunications. Il n'y a toutefois aucune garantie que des interférences ne se produiront pas dans une installation particulière. Si cet équipement produit des interférences qui nuisent à une réception radio ou télévisuelle, ce qui peut être déterminé en éteignant et en allumant l'appareil, l'utilisateur est invité à corriger la situation par l'un ou l'autre des moyens suivants :

- Réorienter ou déplacer l'antenne réceptrice.
- Éloigner l'équipement du récepteur.
- Brancher l'équipement dans une autre prise de courant sur un circuit différent de celui du récepteur.
- Consulter le détaillant ou un technicien spécialisé en radio/télévision.

Toute modification non expressément approuvée par la partie responsable du respect de la réglementation peut annuler le droit de l'utilisateur d'utiliser cet équipement.

AVIS D'INDUSTRIE CANADA

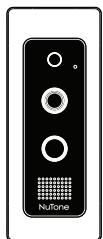
Cet appareil numérique de Classe B est conforme à la norme canadienne ICES-003.

Cet appareil numérique de la classe B est conforme à la norme NMB-003 du Canada. Le présent appareil est conforme aux CNR d'Industrie Canada applicables aux appareils radio exempts de licence. L'exploitation est autorisée aux deux conditions suivantes : (1) l'appareil ne doit pas produire de brouillage, et (2) l'utilisateur de l'appareil doit accepter tout brouillage radioélectrique subi, même si le brouillage est susceptible d'en compromettre le fonctionnement.

NuTone

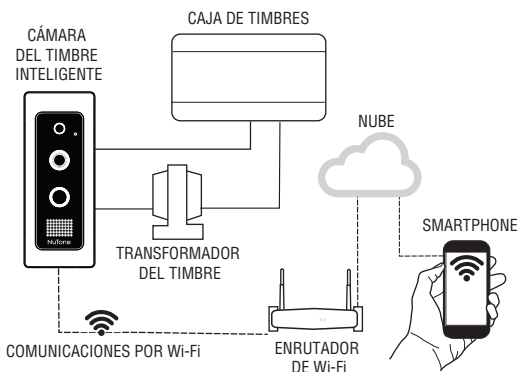
Montura empotrada para NuTone KNOCK™

DCAM100FM

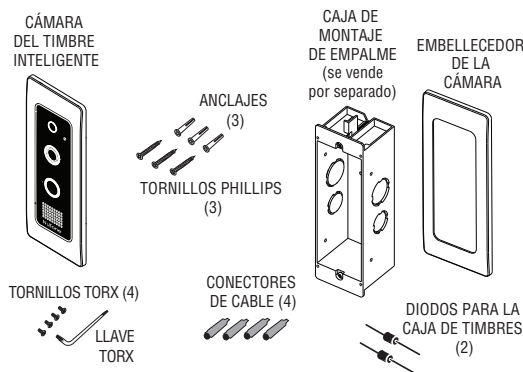


Instrucciones de instalación

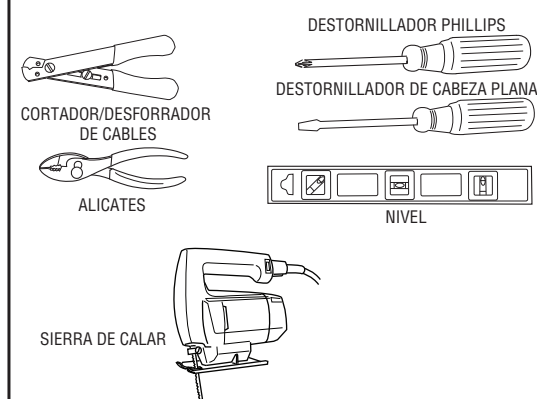
Descripción del sistema



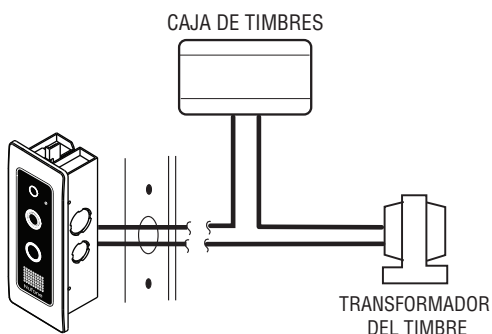
Componentes de la cámara del timbre



Herramientas para la instalación



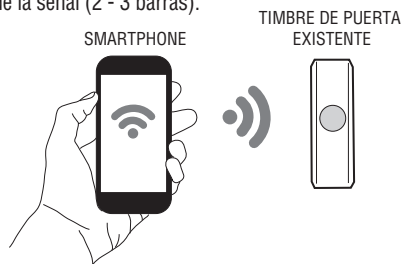
Descripción general del sistema



1 Preparación para la instalación

VERIFIQUE LA INTENSIDAD DE LA SEÑAL DE WI-FI

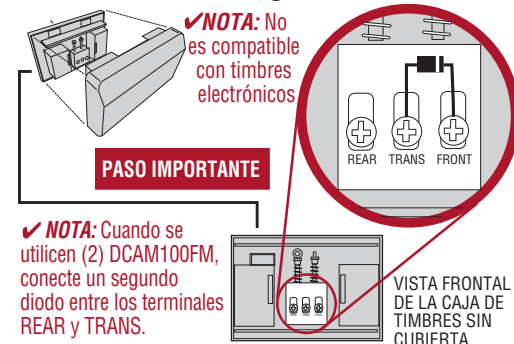
- Vaya a la ubicación del timbre existente.
- Use un smartphone conectado al enrutador de Wi-Fi de las instalaciones, para confirmar la intensidad adecuada de la señal (2 - 3 barras).



2 Instalación del diodo en la caja de timbres

✓ **NOTA:** Se recomienda que **CORTE LA ELECTRICIDAD** antes de realizar cualquier cableado.

- 1 ABRA LA CAJA DE TIMBRES
- 2 INSTALE EL DIODO COMO SE MUESTRA



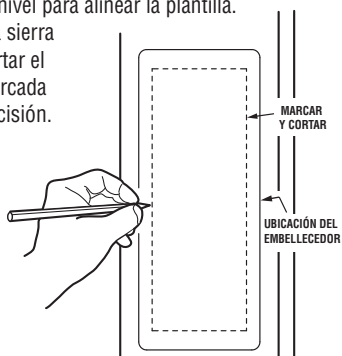
3 Retirada del timbre existente

- Retire el botón del timbre existente del lugar donde está instalado.
- Desconecte los cables de la parte posterior del botón.



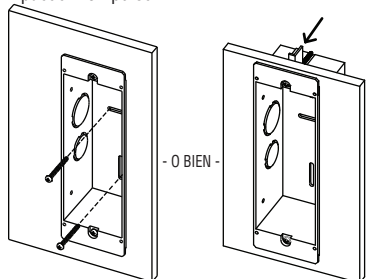
4 Recorte para la caja de empalme

- Use la plantilla (provista) para marcar el área a recortar en el lugar deseado.
- Use un nivel para alinear la plantilla.
- Use una sierra para cortar el área marcada con precisión.



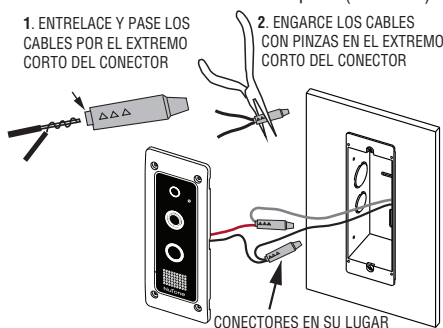
5 Instalación de la caja de empalme

- **Método 1:** Asegúrese de que los tornillos tengan el material de soporte adecuado en la pared.
- **Método 2:** El panel de pared debe tener un grosor de 1 pulgada (2.5 cm) o menos para usar pestañas. No apriete demasiado, ya que las pestañas pueden romperse.



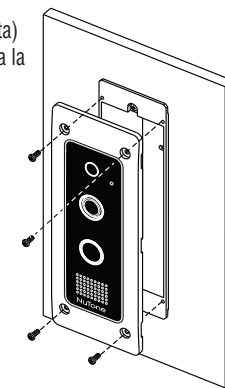
6 Cableado de la cámara del timbre

- Pase los cables al interior de la caja de conexiones eléctricas.
- Conecte los cables del timbre de la puerta usando conectores resistentes a la intemperie (incluidos).



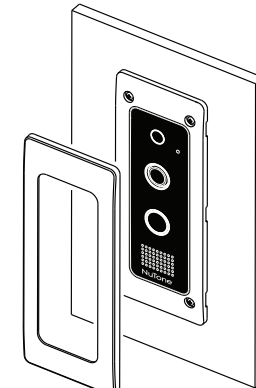
7 Instalación de la cámara / Tornillo de seguridad

- Use 4 tornillos de seguridad (provistos) con la herramienta (provista) para fijar la cámara a la caja de empalme.



8 Completar la instalación

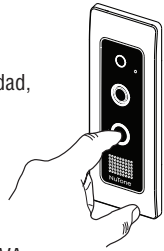
- Coloque a presión el embellecedor.



9

PROBAR la cámara del timbre

- ENCIENDA la corriente
- Pulse el botón del timbre.
- Si el timbre suena con normalidad, continúe con el siguiente paso.
- Si el timbre NO suena con normalidad, significa que el voltaje del transformador es bajo. Diríjase al paso 7. O bien, reemplácelo con un nuevo transformador de 16 VCA y 30 VA.
- Verifique las conexiones de cables en la unidad, el timbre de la puerta y el transformador.



10

Estado de los indicadores LED

Color	Estado	Nota
Destella una vez en color azul	ENCENDIDO	
Destella (lento) en color azul	Arranque en frío a baja temperatura	
Luz azul fija durante 5 segundos	Conectar a un transformador de 16V sin diodo	1. Se produce después de encender o pulsar el botón 2. No se puede hacer sonar el timbre
Destella (rápido) en color azul durante 5 segundos	El voltaje del transformador es bajo	1. Se produce después de encender o pulsar el botón 2. Diríjase al paso 7.
Luz azul fija	El voltaje del transformador es demasiado alto	El timbre no funciona
Luz roja fija	Encendiendo	
Destella en verde/rojo	Modo Discovery	Omita el paso 7 y continúe con el paso 8.
Destella (rápido) en color verde	Conectando al servidor de la nube	
Color verde fijo	Conectado al servidor de la nube	Omita el paso 7 y continúe con el paso 8.
Destella (lento) en color verde	Sesión en curso	
Destella (lento) en color rojo	No conectado a la red	
Destella (rápido) en color rojo	Actualización del firmware	

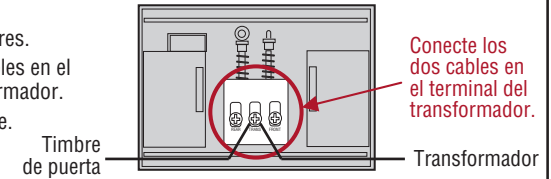
11

Cableado del timbre sin la caja de timbres conectada (CA 16V, 10VA ~ 30VA)

Si la tensión del transformador es demasiado baja (consulte el paso 10), proceda con el paso 11.

De lo contrario, omita el paso 11 y continúe con el paso 12.

1. Apague la corriente.
2. Abra la caja de timbres.
3. Conecte los dos cables en el terminal del transformador.
4. Encienda la corriente.
5. La luz LED azul destella una vez.
6. El timbre mecánico ya no sonará. Agregue el timbre Wi-Fi opcional si lo desea.



12

Configuración

1. Descargue la aplicación para el smartphone
En el smartphone del residente, descargue e instale la aplicación "NuTone Knock™" de la tienda Google Play (para teléfonos Android) o desde la Apple App Store (para teléfonos iOS).
2. Cree una cuenta
Con el smartphone conectado al enrutador de la red local por Wi-Fi, seleccione "Create an Account" (Crear una cuenta). Ingrese un nombre, un correo electrónico válido y una contraseña para la cuenta, y luego seleccione "Create an Account" (Crear una cuenta). Recibirá un correo electrónico de verificación de webinfo@nutonesmarthomeseries.com, con el código de activación.
NOTA: Revise la carpeta de correo no deseado/spam. Este código vence en una hora después de enviar el correo electrónico. Ingrese el código de activación en la aplicación e inicie sesión.
3. Conexión a la cámara del timbre
La cámara del timbre debe estar en modo Discovery y el indicador del botón debe destellar en rojo y en verde. Si el indicador no destella, pruebe pulsando el botón de llamada de diez a quince segundos para entrar al modo Discovery.
4. Siga los pasos de la aplicación para la configuración final. **NOTA: Recuerde revisar la aplicación para ver si tiene la última versión del firmware de la cámara del timbre en el menú About Device (Acerca del dispositivo).**

Diagnóstico de problemas de la cámara del timbre

APLICACIÓN MY DOORBELL

- P:** La aplicación no guarda fotos ni vídeos en mi smartphone.
R: Asegúrese de tener suficiente memoria en su dispositivo inteligente. Asegúrese también de tener habilitados los permisos en la aplicación para tener acceso a la memoria del dispositivo.

RED

- P:** El timbre no se registra en la red de Wi-Fi. ¿Por qué?
R: La cámara del timbre inteligente puede estar fuera del radio de acción de su red Wi-Fi. Mueva el enrutador o instale un extensor de Wi-Fi. Nota: la cámara del timbre sólo es compatible con redes de 2.4 GHz.
P: La cámara del timbre inteligente se desconecta de la red.
R: La cámara del timbre inteligente puede estar fuera del radio de acción de su red Wi-Fi. Mueva el enrutador o instale un extensor de Wi-Fi.

Diagnóstico de problemas de la cámara del timbre

ALIMENTACIÓN

- P:** El timbre cicla entre apagado y encendido.
R: Verifique que los cables eléctricos de la cámara del timbre estén conectados firmemente. El cableado del timbre existente podría estar dañado. Consulte el paso 7.
P: ¿Por qué no se enciende la cámara del timbre?
R: Consulte las instrucciones de instalación:
1. Confirme que el transformador esté encendido.
2. Confirme que el diodo esté instalado correctamente.
3. Confirme que el cableado / las conexiones estén correctas y seguras.

Información normativa

El DCAM100FM está certificado para cumplir con las reglas y reglamentos correspondientes de la FCC e IC, que rigen las emisiones de RF y EMI. Consulte el DCAM100FM.

Este dispositivo cumple con la Parte 15 de las reglas de la FCC. La operación está sujeta a las dos condiciones siguientes: (1) Este dispositivo no puede ocasionar interferencias nocivas, y (2) Este dispositivo debe aceptar cualquier interferencia recibida, incluida la interferencia que pueda provocar un funcionamiento no deseado.

Aviso de la FCC
Este equipo ha sido probado y se determinó que cumple con los límites de un dispositivo digital Clase B, de conformidad con la parte 15 de las Reglas de la FCC. Estos límites están diseñados para brindar una protección razonable contra las interferencias nocivas en una instalación residencial.

Este equipo genera, utiliza y puede irradiar energía de radiofrecuencia, y si no se instala y utiliza de acuerdo con las instrucciones, podría causar interferencias nocivas a las comunicaciones por radio. No obstante, no hay garantía de que no se generará interferencia en una instalación particular. Si el equipo provoca interferencias nocivas en la recepción de señales de radio o de televisión, lo cual se puede determinar apagando y encendiendo el equipo, se recomienda al usuario que trate de corregir la interferencia mediante una o más de las siguientes medidas:

- Reorientar o reubicar la antena de recepción.
- Aumentar la separación entre el equipo y el receptor.
- Conectar el equipo en un tomacorriente en un circuito diferente a aquel donde esté conectado el receptor.
- Solicite asistencia al distribuidor o a un técnico con experiencia en radio y TV.

Los cambios o modificaciones no aprobados expresamente por la parte responsable del cumplimiento podrían anular la autoridad del usuario para operar el equipo.

Aviso de la IC
Este aparato digital Clase B cumple con la norma canadiense ICES-003
Este dispositivo cumple con las normas RSS exentas de licencia de Industry Canada. La operación está sujeta a las dos condiciones siguientes: (1) este dispositivo no puede ocasionar interferencias, y (2) este dispositivo debe aceptar cualquier interferencia, incluida la interferencia que pueda provocar un funcionamiento no deseado del dispositivo.

Accesorios para NuTone KNOCK™

MODELO	DESCRIPCIÓN
LA11WH	Timbre de puerta con cableado
LA227WH	Timbre de puerta por Wi-Fi
S97021209	Caja de montaje / Paquete de herrajes
S97021210	Embellecedor de la cámara
DCAM100RB	Caja de montaje preliminar

NuTone

Broan 926 West State Street, Hartford, WI 53027
www.nutone.com 888-336-3948
www.nutone.ca 877-896-1119

©2017 Broan

99045888B

Garantía limitada

Periodo y exclusiones de la garantía: Broan-NuTone LLC (la "Compañía") garantiza al consumidor comprador original de su producto ("usted") que el producto (el "Producto") estará libre de defectos en materiales o en mano de obra, por un periodo de un (1) año a partir de la fecha de compra original.

El periodo de garantía limitada para cualquier pieza de repuesto proporcionada por la compañía y para cualquier Producto reparado o reemplazado bajo esta garantía limitada debe ser lo que reste del periodo de garantía original.

Esta garantía no cubre controles de velocidad, arranquadores de lámparas fluorescentes, tubos, bombillas de halógeno e incandescentes, fusibles, filtros, conductos, tapas de techo, tapas de pared ni otros accesorios que pudieran ser comprados por separado e instalados con el producto. Esta garantía tampoco cubre (a) mantenimiento y servicio normal, (b) uso y desgaste normal, (c) Productos o piezas sujetos a mal uso, abuso, uso anormal, negligencia, accidente, mantenimiento inadecuado o insuficiente, almacenamiento o reparación (que no sea reparación por parte de la Compañía), (d) daños causados por instalación defectuosa, o bien instalación o uso contrario a las recomendaciones o instrucciones, (e) cualquier Producto que se haya movido de su punto de instalación original, (f) daños ocasionados por el medio ambiente o los elementos naturales, (g) daños en tránsito, (h) desgaste natural del acabado, (i) Productos en uso comercial o no residencial, o (j) daños ocasionados por incendio, inundación u otro caso fortuito. Esta garantía cubre solamente Productos vendidos a clientes originales en los Estados Unidos por la Compañía o a distribuidores de EE. UU. autorizados por la Compañía. Esta garantía sustituye todas las garantías anteriores y no es transferible del comprador consumidor original.

No hay otras garantías: Esta garantía limitada contiene la única obligación de la Compañía y su único recurso ante productos defectuosos. Las garantías anteriores son exclusivas y en lugar de cualquier otra garantía, expresa o implícita. **LA COMPAÑÍA NIEGA Y EXCLUYE CUALQUIER OTRA GARANTÍA EXPRESA, Y NIEGA Y EXCLUYE TODAS LAS GARANTÍAS IMPLÍCITAS POR LEY, INCLUYENDO, ENTRE OTRAS, LAS DE COMERCIALIZACIÓN Y APTITUD PARA UN PROPOSITO EN PARTICULAR.** Hasta el grado en que la ley aplicable prohíba la exclusión de las garantías implícitas, la duración de cualquier garantía implícita aplicable está limitada al periodo expresado antes mencionada. Algunos estados no permiten limitaciones en la duración de una garantía implícita, así que la limitación anterior tal vez no aplique en su caso. Cualquier descripción verbal o escrita del Producto es para el único propósito de identificarlo y no deberá considerarse como una garantía expresa.

Siempre que sea posible, toda disposición de esta garantía limitada deberá ser interpretada de tal forma que sea efectiva y válida de conformidad con la ley aplicable, pero si alguna disposición fuera considerada prohibida o inválida, quedará sin efecto sólo en virtud de dicha prohibición o invalidez, sin invalidar el resto de dicha disposición o las demás disposiciones restantes de la garantía limitada.

Recurso: Durante el periodo de garantía limitada aplicable, la Compañía, a su opción, suministrará piezas de repuesto, o reparará o reemplazará, sin cargo alguno, cualquier Producto o pieza del mismo, hasta el grado en que la Compañía lo encuentre cubierto bajo esta garantía limitada y en cumplimiento de la misma en condiciones normales de uso y servicio. La Compañía le enviará el Producto reparado o reemplazado o las piezas de repuesto sin cargo. Usted es responsable de todos los costos de retiro, reinstalación y envío, seguro u otros cargos de flete incurridos en el envío del Producto o pieza a la Compañía. Si debe enviar el Producto o la pieza a la Compañía, tal como lo indique la Compañía, debe empaquetar adecuadamente el Producto o la pieza; la Compañía no se hace responsable por los daños en tránsito. La Compañía se reserva el derecho de utilizar Productos o piezas reacondicionados, renovados, reparados o refabricados en el proceso de reemplazo o reparación de garantía. Dichos Productos y piezas serán comparables en función y desempeño a un Producto o una pieza original y tendrán garantía durante el resto del periodo de la garantía original.

Exclusión de daños: LA OBLIGACIÓN DE LA COMPAÑÍA DE SUMINISTRAR PIEZAS DE REPUESTO, O DE REPARAR O REEMPLAZAR, A OPCIÓN DE LA COMPAÑÍA, SERÁ SU ÚNICO Y EXCLUSIVO RECURSO BAJO ESTA GARANTÍA LIMITADA, Y LA ÚNICA Y EXCLUSIVA OBLIGACIÓN DE LA COMPAÑÍA. LA COMPAÑÍA NO SERÁ RESPONSABLE POR DAÑOS INCIDENTALES, INDIRECTOS, RESULTANTES O ESPECIALES QUE SURJAN POR EL USO O DESEMPEÑO DEL PRODUCTO, O EN RELACIÓN CON EL MISMO.

Algunos estados no permiten la exclusión o limitación de daños incidentales o resultantes, por lo que la limitación antes mencionada podría no aplicarse a usted. Esta garantía le otorga derechos legales específicos, y usted podría tener otros derechos que varían de un estado a otro.

Esta garantía cubre únicamente el reemplazo o la reparación de Productos defectuosos o piezas de los mismos en la planta principal de la Compañía, y no incluye el costo del viaje para el servicio de campo ni los viáticos.

Cualquier asistencia que proporcione o procure la Compañía para usted fuera de los términos, limitaciones o exclusiones de esta garantía limitada no constituirá una renuncia a dichos términos, limitaciones o exclusiones, ni dicha asistencia extenderá o renovará la garantía.

La Compañía no le reembolsará ningún gasto en el que usted haya incurrido al reparar o reemplazar cualquier Producto defectuoso, excepto los incurridos con el permiso previo por escrito de la Compañía.

Cómo obtener el servicio cubierto por la garantía: Para tener derecho al servicio cubierto por la garantía, usted debe (a) notificar a la Compañía a la dirección o número de teléfono que aparecen abajo en el plazo de siete (7) días después de descubrir el defecto cubierto, (b) proporcionar el número de modelo y la identificación de la pieza y (c) describir la naturaleza de cualquier defecto en el Producto o la pieza. En el momento de solicitar el servicio cubierto por la garantía, debe presentar un comprobante de la fecha de compra original. Si usted no puede presentar una copia de la garantía limitada original por escrito, entonces regístre los términos de la garantía limitada por escrito más actualizada de la compañía para su producto en particular. Las garantías limitadas por escrito más actualizadas para los productos de la Compañía se pueden encontrar en www.broan.com.

Broan 926 West State Street, Hartford, WI 53027 www.nutone.com 888-336-3948 www.nutone.ca 877-896-1119