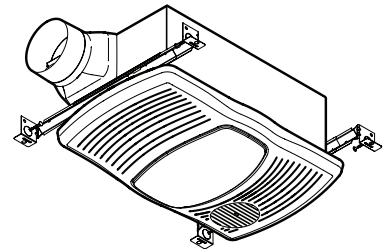


# MODEL 765H110L VENTILATION FAN WITH LIGHT AND HEATER



### FEATURES

#### GRILLE & LIGHTING:

- Brighter white grille
- Snap-in light diffusing lens
- One 100-watt (max.) E26 base bulb. (Bulb not included.)

#### VENTILATOR:

- Resilient anti-vibration mounts
- Plug-in, permanently lubricated motor
- High performance blower wheel

#### HEATER:

- 1500 watts, with metal blower wheel for efficient, even heating
- Rotatable heater grille - direct heat where needed
- Plug-in, permanently lubricated motor - functions independent of ventilator

#### HOUSING:

- Rugged galvanized steel housing
- Polymeric, 4" round damper/duct connector
- 5-7/8" height allows for 2" x 6" (nominal) joist installations
- Sturdy, easy, four-point mounting direct to joist
- Hanger bars allow housing to be positioned anywhere between 16" to 24"-on-center joists
- Suitable for use in insulated ceilings (Type I.C.).
- Use Model P3RW - Three Function Control

NOTE: This product must be mounted in a flat ceiling only. Installation in ceilings 9-foot high or less will provide maximum comfort. Do not mount this product in a wall.

### SPECIFICATIONS

STATIC PRESSURE	CFM	SONES
0.1	110	2.0
0.25	97	2.5

VOLTS	AMPS*	DUCT
120	14.0	4-in. round

\* Total connected load.  
(Requires a dedicated 20-Amp circuit.)



HVI-2100 CERTIFIED RATINGS comply with new testing technologies and procedures prescribed by the Home Ventilating Institute, for off-the-shelf products, as they are available to consumers. Product performance is rated at 0.1 in. static pressure, based on tests conducted in a state-of-the-art test laboratory. Sones are a measure of humanly-perceived loudness, based on laboratory measurements.



### TYPICAL SPECIFICATION

Combination unit shall be NuTone Model 765H110L.

Unit shall have galvanized steel housing and adjustable mounting brackets.

Unit must be rated to handle a 100-watt (max.) lamp.

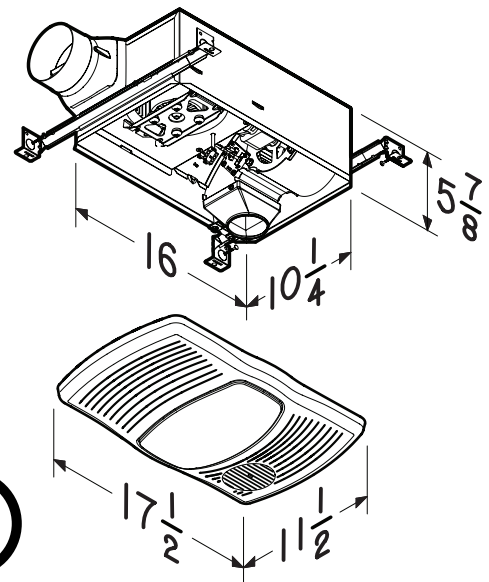
Fan, heater, and light shall be separately controllable. Motor shall be permanently lubricated.

Heater to deliver 1500 Watts of fan-forced heat.

Air delivery shall be no less than 110 cfm and sound levels no greater than 2.0 sones. All air and sound ratings shall be certified by HVI.

Unit shall be UL listed.

Combination unit to be suitable for use in insulated ceilings. (Type I. C.)



Broan Hartford, Wisconsin www.nutone.com 888-336-3948

REFERENCE	QTY.	REMARKS	Project
			Location
			Architect
			Engineer
			Contractor
			Submitted by
			Date