

FAN / LIGHT

To register this product, visit:
www.nutone.com

READ AND SAVE THESE INSTRUCTIONS

WARNING

TO REDUCE THE RISK OF FIRE, ELECTRIC SHOCK, OR INJURY TO PERSONS, OBSERVE THE FOLLOWING:

1. Use this unit only in the manner intended by the manufacturer. If you have questions, contact the manufacturer at the address or telephone number listed in the warranty.
2. Before servicing or cleaning unit, switch power off at service panel and lock the service disconnecting means to prevent power from being switched on accidentally. When the service disconnecting means cannot be locked, securely fasten a prominent warning device, such as a tag, to the service panel.
3. Installation work and electrical wiring must be done by a qualified person(s) in accordance with all applicable codes and standards, including fire-rated construction codes and standards.
4. Sufficient air is needed for proper combustion and exhausting of gases through the flue (chimney) of fuel burning equipment to prevent backdrafting. Follow the heating equipment manufacturer's guideline and safety standards such as those published by the National Fire Protection Association (NFPA), and the American Society for Heating, Refrigeration and Air Conditioning Engineers (ASHRAE), and the local code authorities.
5. When cutting or drilling into wall or ceiling, do not damage electrical wiring and other hidden utilities.
6. Ducted fans must always be vented to the outdoors.
7. Acceptable for use over bathtub or shower when installed in a GFCI protected branch circuit.
8. If this unit is to be installed over a tub or shower, it must be marked as appropriate for the application and be connected to a GFCI (Ground Fault Circuit Interrupter) protected branch circuit.
9. Do not use this fan with any solid-state speed control device.
10. Never place a switch where it can be reached from a tub or shower.
11. Use this unit only in the manner intended by the manufacturer. If you have questions, contact the manufacturer.
12. This unit must be grounded.

CAUTION

1. Provide a separate 15 AMP circuit. Use 14 GA. power cable of type which meets code.
2. This product is designed for ceiling installation only. This product is designed for installation in ceilings up to a 12/12 pitch. Ductwork must point up. **DO NOT MOUNT THIS PRODUCT IN A WALL.**
3. Install in ceiling only, at least 6" from any wall.
4. For general ventilating use only. Do not use to exhaust hazardous or explosive materials and vapors.
5. To avoid motor bearing damage and noisy and/or unbalanced impellers, keep drywall spray, construction dust, etc., off power unit.
6. Please read specification label on product for further information and requirements.

USE AND CARE

DISCONNECT ELECTRIC POWER SUPPLY BEFORE CLEANING OR SERVICING THIS UNIT.

TO REPLACE BULB:

Remove lens by gently depressing sides and pull down. Use bulb rated up to 100 watts only.

TO CLEAN LENS AND GRILLE:

Remove lens as explained above. Remove bulb. Remove acorn nut in center of light reflector and lower assembly. Unplug light.

CAUTION: Grille and reflector are separate units.

Plastic parts can be cleaned with mild, soapy water and dried with a soft cloth. **DO NOT USE ABRASIVE CLOTHS, STEEL WOOL PADS, OR SCOURING POWDERS.**

TO CLEAN FAN ASSEMBLY:

Unplug fan motor. Remove retaining screws.

CAUTION: Fan assembly will swing downward when screws are removed. Support the fan assembly with a free hand while removing retaining screws.

Gently vacuum fan, motor and interior of housing. Motor is permanently lubricated and never needs oiling.

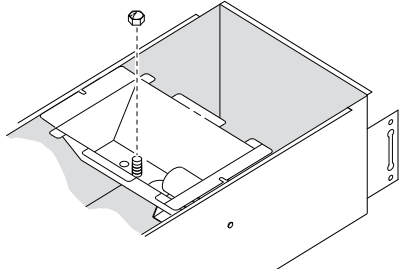
METAL AND ELECTRICAL PARTS SHOULD NEVER BE IMMERSSED IN WATER.

TO REASSEMBLE ALL ABOVE PARTS:

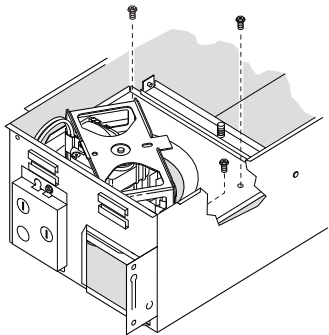
Reverse all procedures explained above. Assemblies should not be disassembled any further than explained above.

PREPARE THE UNIT

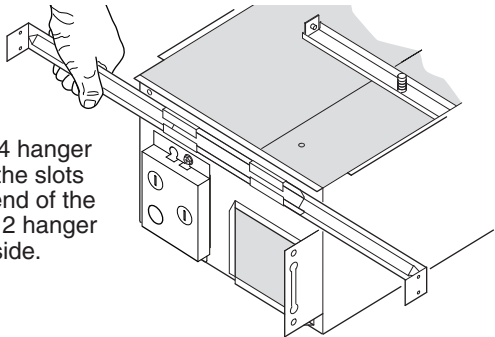
1. Remove the lamp holder assembly.



2. Remove fan assembly retaining screws. Lift fan assembly out of the housing.



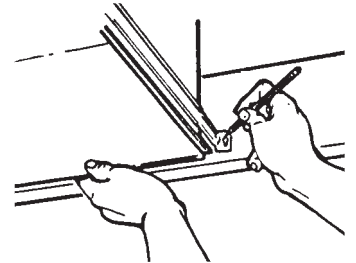
3. Slide the 4 hanger bars into the slots on each end of the housing - 2 hanger bars per side.



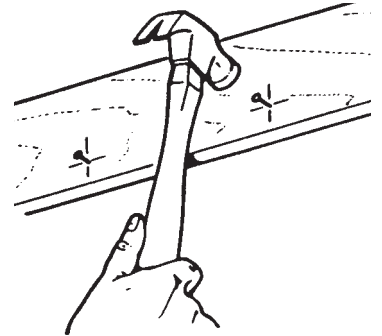
INSTALL THE UNIT

For best results, choose a location which allows fan to be vented outside with the shortest possible duct run and the fewest number of elbows.

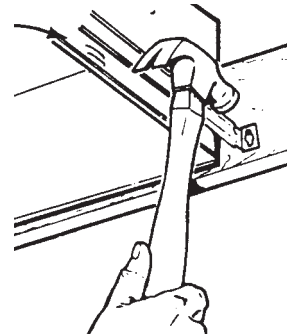
1. Position unit between joists and extend mounting brackets. Position brackets such that the bottom edge of housing will be flush with finished ceiling. Mark the top of keyhole slot on all four mounting brackets.



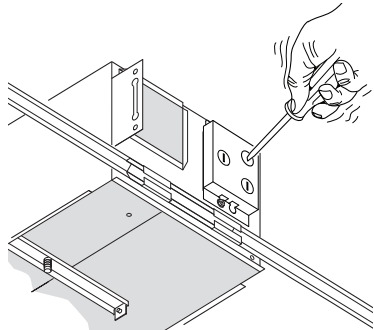
2. Remove unit temporarily, and pound nails partially into joists at all four marked locations.



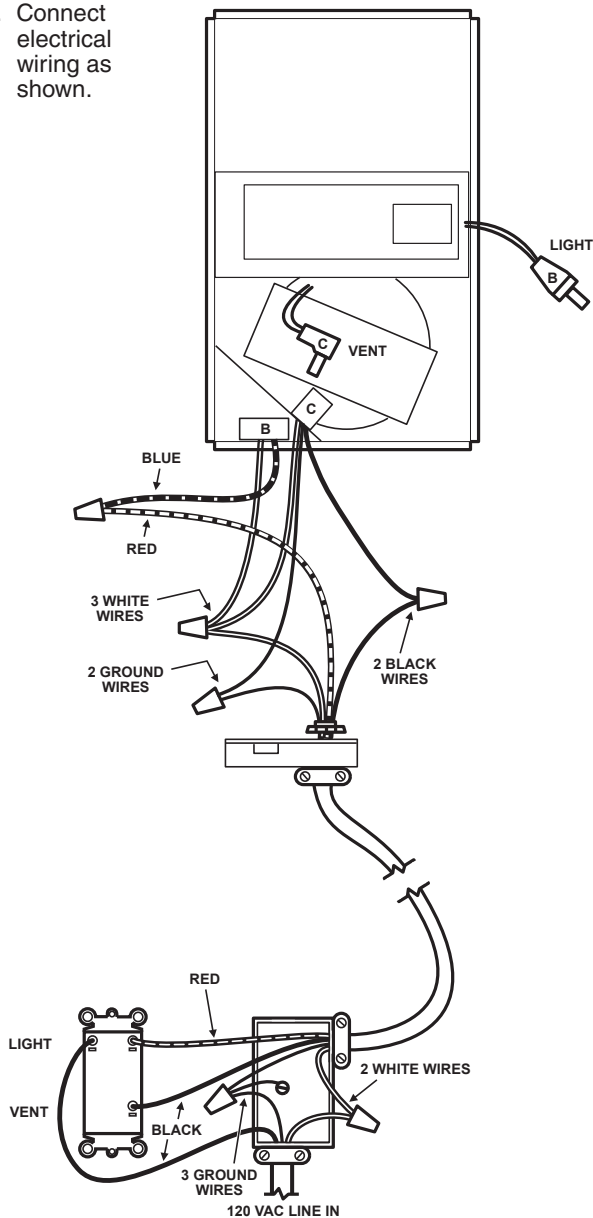
3. Hang unit from nails and check if unit will be flush with finished ceiling. Pound nails tight. For wide joist centers: A #8 x 3/8 self-tapping screw can be used to join extended brackets together and create a rigid mount. To ensure a noise-free mount, crimp the bracket channels tightly around mounting brackets.



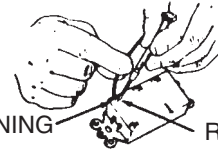
4. Use a flat-bladed screwdriver to remove the proper electrical knockouts.



5. Connect electrical wiring as shown.



WIRE OPENING RELEASE SLOT



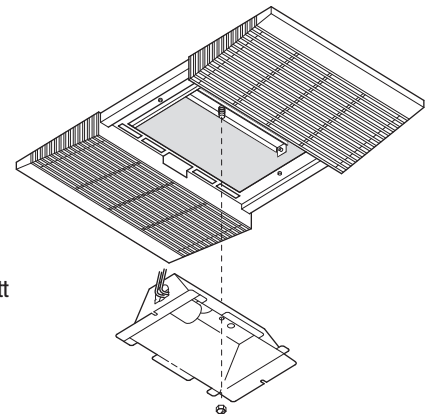
If the switch has not been wired properly and wires need to be moved:

1. Each wire opening has a release slot.
2. Push a small nail or screwdriver into release slot while gently removing wire.
3. DO NOT pull any wire out of the switch without using the release slot. The switch may be damaged.

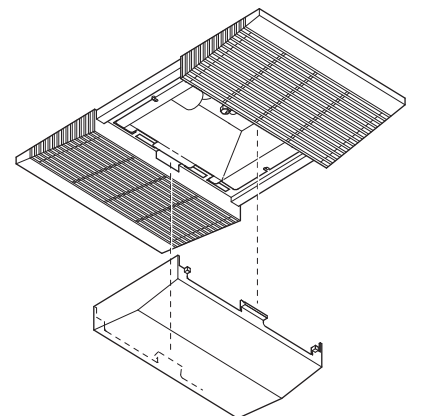
6. Replace the fan assembly removed in Step 4, under "PREPARE THE UNIT" on Page 2. Plug fan assembly into receptacle (C) on the side of the wiring cover. Direct wires away from blower inlets.

7. Install grille and light reflector. Plug light into receptacle (B). Tighten acorn nut securely. Be careful not to overtighten nut and deform reflector.

Install a 100 Watt (maximum) light bulb.

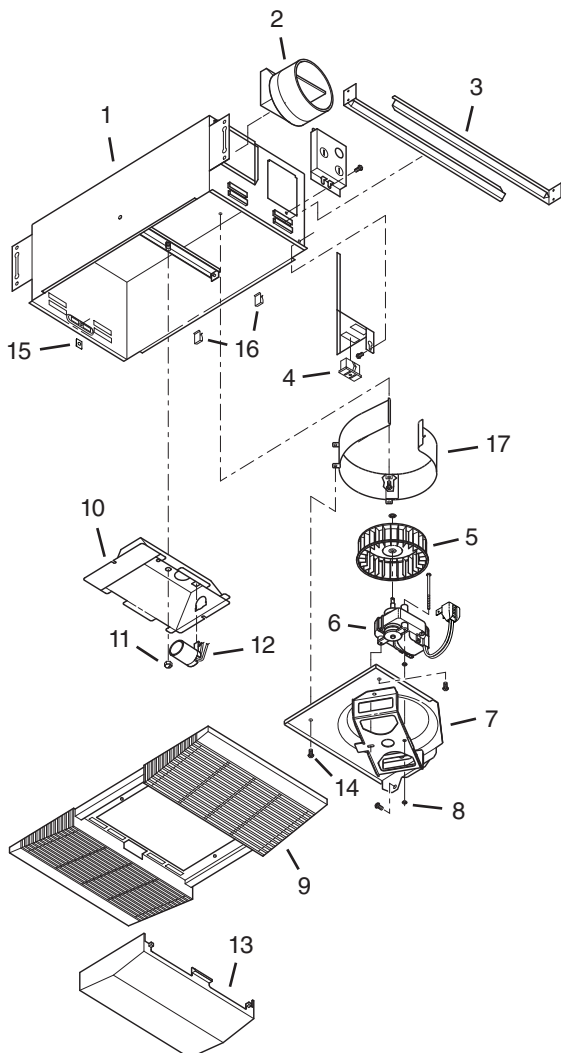


8. Install light lens. Gently squeeze tabs on lens and insert them into the slots in the grille.



SERVICE PARTS

KEY NO.	PART NO.	DESCRIPTION
1	97017451	Housing
2	101183000	Damper / Duct Connector
3	44388000	Mounting Bracket (4 Req.)
4	99270981	Receptacle, White
	99271252	Receptacle, Black
5	82403000	Fan Blower Wheel
6	99080592	Fan Motor
7	97017080	Fan Motor Plate Assembly
8	99260428	Nut (4 Req.)
9	89852000	Grille Assembly (includes Key No. 13)
10	98010306	Light Reflector
11	97005316	Acorn Nut
12	99770112	Light Socket
13	53740000	Light Lens
14	99150576	#8 x 3/8 Sheet Metal Screw (3 Req.)
15	99260512	Tinnerman Nut
16	99420666	Wire Routing Clip (2 Req.)
17	98010286	Exhaust Fan Scroll Band



Limited Warranty

Warranty Period and Exclusions: Broan-NuTone LLC (the "Company") warrants to the original consumer purchaser of its product ("you") that the product (the "Product") will be free from material defects in the Product or its workmanship for a period of one (1) year from the date of original purchase.

The limited warranty period for any replacement parts provided by the Company and for any Products repaired or replaced under this limited warranty shall be the remainder of the original warranty period.

This warranty does not cover speed controls, fluorescent lamp starters, tubes, halogen and incandescent bulbs, fuses, filters, ducts, roof caps, wall caps and other accessories for ducting that may be purchased separately and installed with the Product. This warranty also does not cover (a) normal maintenance and service, (b) normal wear and tear, (c) any Products or parts which have been subject to misuse, abuse, abnormal usage, negligence, accident, improper or insufficient maintenance, storage or repair (other than repair by the Company), (d) damage caused by faulty installation, or installation or use contrary to recommendations or instructions, (e) any Product that has been moved from its original point of installation, (f) damage caused by environmental or natural elements, (g) damage in transit, (h) natural wear of finish, (i) Products in commercial or nonresidential use, or (j) damage caused by fire, flood or other act of God. This warranty covers only Products sold to original consumers in the United States by the Company or U.S. distributors authorized by the Company.

This warranty supersedes all prior warranties and is not transferable from the original consumer purchaser.

No Other Warranties: This Limited Warranty contains the Company's sole obligation and your sole remedy for defective products. The foregoing warranties are exclusive and in lieu of any other warranties, express or implied. **THE COMPANY DISCLAIMS AND EXCLUDES ALL OTHER EXPRESS WARRANTIES, AND DISCLAIMS AND EXCLUDES ALL WARRANTIES IMPLIED BY LAW, INCLUDING WITHOUT LIMITATION THOSE OF MERCHANTABILITY AND FITNESS FOR A PARTICULAR PURPOSE.** To the extent that applicable law prohibits the exclusion of implied warranties, the duration of any applicable implied warranty is limited to the period specified for the express warranty above. Some states do not allow limitations on how long an implied warranty lasts, so the above limitation may not apply to you. Any oral or written description of the Product is for the sole purpose of identifying it and shall not be construed as an express warranty.

Whenever possible, each provision of this Limited Warranty shall be interpreted in such manner as to be effective and valid under applicable law, but if any provision is held to be prohibited or invalid, such provision shall be ineffective only to the extent of such prohibition or invalidity, without invalidating the remainder of such provision or the other remaining provisions of the Limited Warranty.

Remedy: During the applicable limited warranty period, the Company will, at its option, provide replacement parts for, or repair or replace, without charge, any Product or part thereof, to the extent the Company finds it to be covered by and in breach of this limited warranty under normal use and service. The Company will ship the repaired or replaced Product or replacement parts to you at no charge. You are responsible for all costs for removal, reinstallation and shipping, insurance or other freight charges incurred in the shipment of the Product or part to the Company. If you must send the Product or part to the Company, as instructed by the Company, you must properly pack the Product or part—the Company is not responsible for damage in transit. The Company reserves the right to utilize reconditioned, refurbished, repaired or remanufactured Products or parts in the warranty repair or replacement process. Such Products and parts will be comparable in function and performance to an original Product or part and warranted for the remainder of the original warranty period.

Exclusion of Damages: **THE COMPANY'S OBLIGATION TO PROVIDE REPLACEMENT PARTS, OR REPAIR OR REPLACE, AT THE COMPANY'S OPTION, SHALL BE YOUR SOLE AND EXCLUSIVE REMEDY UNDER THIS LIMITED WARRANTY AND THE COMPANY'S SOLE AND EXCLUSIVE OBLIGATION. THE COMPANY SHALL NOT BE LIABLE FOR INCIDENTAL, INDIRECT, CONSEQUENTIAL OR SPECIAL DAMAGES ARISING OUT OF OR IN CONNECTION WITH THE PRODUCT, ITS USE OR PERFORMANCE.**

Some states do not allow the exclusion or limitation of incidental or consequential damages, so the above limitation or exclusion may not apply to you. This warranty gives you specific legal rights, and you may also have other rights, which vary from state to state.

This warranty covers only replacement or repair of defective Products or parts thereof at the Company's main facility and does not include the cost of field service travel and living expenses.

Any assistance the Company provides to or procures for you outside the terms, limitations or exclusions of this limited warranty will not constitute a waiver of such terms, limitations or exclusions, nor will such assistance extend or revive the warranty.

The Company will not reimburse you for any expenses incurred by you in repairing or replacing any defective Product, except for those incurred with the Company's prior written permission.

How to Obtain Warranty Service: To qualify for warranty service, you must (a) notify the Company at the address or telephone number stated below within seven (7) days of discovering the covered defect, (b) give the model number and part identification and (c) describe the nature of any defect in the Product or part. At the time of requesting warranty service, you must present evidence of the original purchase date. If you cannot provide a copy of the original written limited warranty, then the terms of the Company's most current written limited warranty for your particular product will control. The most current limited written warranties for the Company's products can be found at www.broan.com.

Broan 926 West State Street, Hartford, WI 53027 www.broan.com 800-637-1435

VENTILADOR / LÁMPARA

Para colocar este producto, visite:
www.nutone.com

Página 5

LEA Y CONSERVE ESTAS INSTRUCCIONES

ADVERTENCIA



PARA REDUCIR EL RIESGO DE INCENDIOS, DESCARGAS ELÉCTRICAS O LESIONES PERSONALES, OBSERVE LAS SIGUIENTES PRECAUCIONES:

1. Use la unidad sólo de la manera indicada por el fabricante. Si tiene preguntas, comuníquese con el fabricante a la dirección o al número telefónico que se incluye en la garantía.
2. Antes de dar servicio a la unidad o de limpiarla, interrumpa el suministro eléctrico en el panel de servicio y bloquee los medios de desconexión del servicio para evitar que la electricidad se reanude accidentalmente. Cuando no sea posible bloquear los medios de desconexión del servicio, fije firmemente una señal de advertencia (tal como una etiqueta) en un lugar visible del panel de servicio.
3. Una o más personas calificadas deben realizar el trabajo de instalación y el cableado eléctrico, de acuerdo con todos los códigos y normas correspondientes, incluidos los códigos y normas de construcción específicos de protección contra incendios.
4. Se necesita suficiente aire para que se lleve a cabo una combustión y escape adecuados de los gases a través del tubo de humos (chimenea) del equipo quemador de combustible, con el fin de evitar el contratiro. Siga las directrices y las normas de seguridad del fabricante del equipo de calentamiento, así como las publicadas por la Asociación Nacional de Protección contra Incendios (National Fire Protection Association, NFPA), la Sociedad Americana de Ingenieros de Calefacción, Refrigeración y Aire Acondicionado (American Society for Heating, Refrigeration and Air Conditioning Engineers, ASHRAE) y los códigos de las autoridades locales.
5. Al cortar o perforar a través de la pared o del cielo raso, tenga cuidado de no dañar el cableado eléctrico ni otros servicios ocultos.
6. Los ventiladores con conductos deben siempre conectarse hacia el exterior.
7. Aceptable si se lo usa por encima de una tina o ducha instaladas en un circuito derivado protegido GFCI (con interruptor accionado por corriente de pérdida a tierra).
8. Si se va a instalar esta unidad sobre una tina o ducha, debe marcarse que es apropiada para esta aplicación y conectarse a un GFCI (interruptor accionado por pérdida de conexión a tierra) en un circuito de derivación protegido.
9. No use esta unidad junto con ningún dispositivo de control de velocidad de estado sólido.
10. Nunca coloque el interruptor en un lugar en donde se pueda alcanzar desde la bañera o ducha.
11. Use la unidad sólo de la manera indicada por el fabricante. Si tiene preguntas, comuníquese con el fabricante.
12. Esta unidad debe conectarse a tierra.

PRECAUCIÓN



1. Proporcione un circuito por separado de 15 A. Utilice un cable eléctrico calibre 14 de un tipo conforme al código.
2. Este producto está diseñado solamente para instalarse en el cielo raso. Este producto está diseñado para instalarse en cielos rasos con pendientes de hasta 12/12. El sistema de conductos debe apuntar hacia arriba. **NO MONTE ESTE PRODUCTO EN LA PARED.**
3. Instálelo únicamente en un cielo raso, a una distancia mínima de 1.8 m (6 pulg.) de cualquier pared.
4. Sólo para usarse como medio de ventilación general. No debe usarse para descargar materiales ni vapores peligrosos o explosivos.
5. Para evitar daños a los cojinetes del motor y rotores ruidosos o desequilibrados, mantenga la unidad de accionamiento al resguardo de rociados de yeso, polvos de construcción, etc.
6. Léase la etiqueta de especificaciones que tiene el producto para ver información y requisitos adicionales.

USO Y CUIDADO

DESCONECTE EL SUMINISTRO ELÉCTRICO ANTES DE LIMPIAR O DAR SERVICIO A ESTA UNIDAD.

PARA CAMBIAR LA BOMBILLA:

Quite la lente presionando ligeramente los lados y jálelo hacia abajo. Utilice únicamente bombillas con capacidad de hasta 100 watts.

PARA LIMPIAR LA LENTE Y LA REJILLA:

Quite la lente tal como se explicó anteriormente. Quite la bombilla. Quite la tuerca ciega que se encuentra en el centro del reflector de luz y baje el conjunto. Desenchufe la luz.

PRECAUCIÓN: La rejilla y el reflector son unidades separadas.

Las piezas de plástico pueden limpiarse con una solución suave de agua y jabón y secarse con un paño suave. **NO USE PAÑOS ABRASIVOS, ALMOHADILLAS DE LANA DE ACERO NI POLVOS ABRASIVOS.**

PARA LIMPIAR EL CONJUNTO DEL VENTILADOR:

Desenchufe el motor del ventilador. Saque los tornillos de retención. **PRECAUCIÓN:** El conjunto del ventilador se vendrá hacia abajo cuando se quiten los tornillos. Sujételo con una mano libre al tiempo que quita los tornillos de retención.

Con una aspiradora limpie cuidadosamente el ventilador, el motor y el interior de la cubierta. El motor está permanentemente lubricado y nunca necesitará aceite.

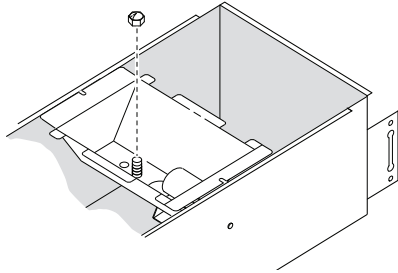
NO SUMERJA NUNCA EN AGUA LAS PIEZAS METÁLICAS NI LAS ELÉCTRICAS.

PARA VOLVER A ARMAR TODAS LAS PIEZAS ANTERIORES:

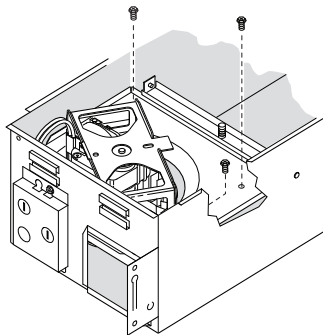
Repita todos los procedimientos explicados. No debe hacer ningún desmontaje adicional de los conjuntos aparte de lo explicado anteriormente.

PREPARACIÓN DE LA UNIDAD

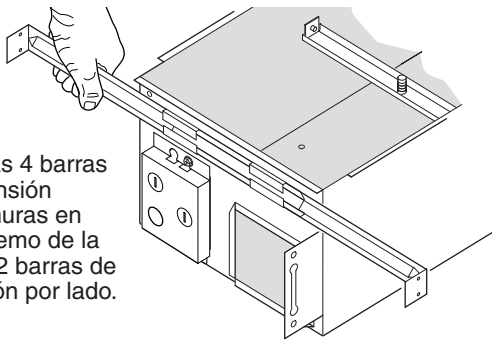
1. Saque el conjunto del portalámpara.



2. Saque los tornillos de retención del conjunto del ventilador. Levante y saque el conjunto del ventilador de la cubierta.

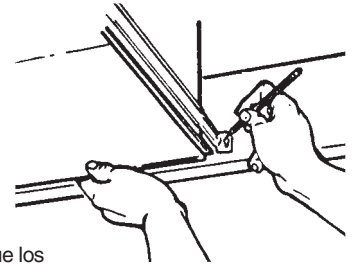


3. Deslice las 4 barras de suspensión en las ranuras en cada extremo de la cubierta: 2 barras de suspensión por lado.



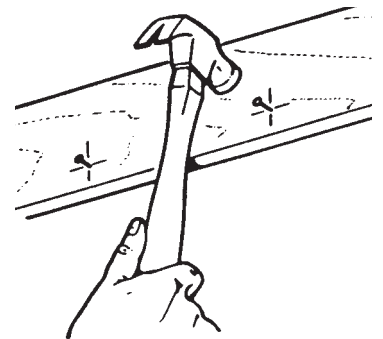
INSTALACIÓN DE LA UNIDAD

Para obtener los mejores resultados, elija un sitio que permita descargar el ventilador hacia el aire libre y donde se requiera el tramo de conductos más corto posible y el menor número de codos.

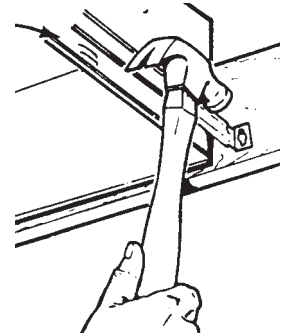


1. Coloque la unidad entre las vigas y extienda los soportes de montaje. Coloque los soportes de manera que el borde inferior de la cubierta quede al ras del cielo raso acabado. Marque la parte superior de la ranura tipo bocallave en los cuatro soportes de montaje.

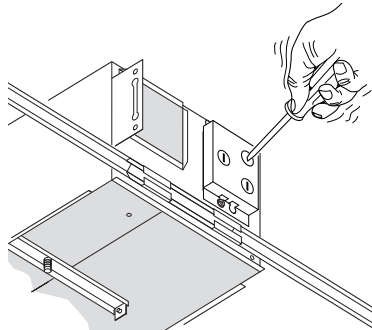
2. Quite temporalmente la unidad y clave parcialmente los clavos en las vigas en los cuatro lugares marcados.



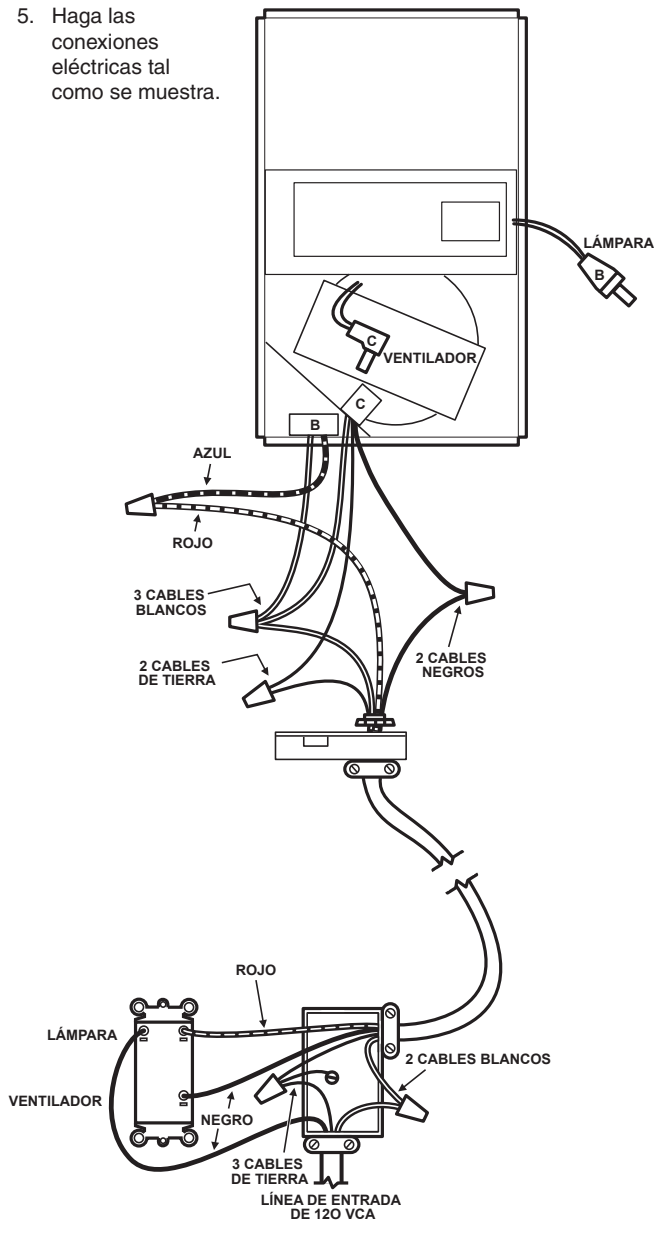
3. Cuelgue la unidad en los clavos y compruebe si la unidad quedará al ras con el cielo raso acabado. Clave los clavos de manera que queden bien ajustados. Para centros de vigas anchas: se puede usar un tornillo autorroscante #8 x 3/8 para unir entre sí los soportes extendidos y crear un montaje rígido. Para lograr un montaje silencioso, doble los canales del soporte ajustadamente alrededor de los soportes de montaje.



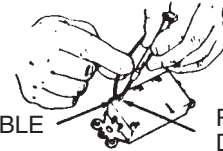
4. Con un destornillador plano, saque las tapas removibles apropiadas.



5. Haga las conexiones eléctricas tal como se muestra.



ENTRADA PARA CABLE RANURA DE DESENGANCHE

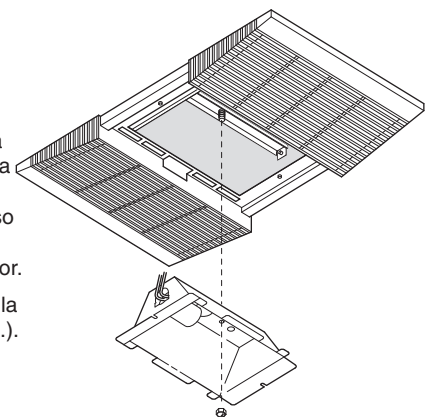


Si el interruptor no está conectado apropiadamente y hay que cambiar los cables:

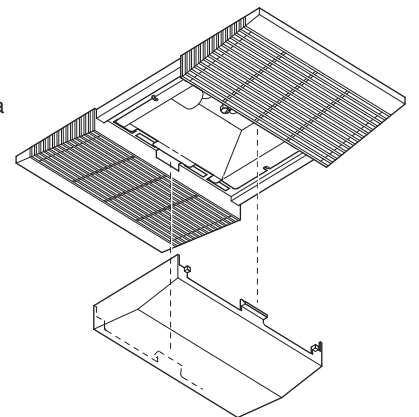
1. Cada entrada para cable tiene una ranura de desenganche.
2. Meta un destornillador o clavo pequeño en la ranura de desenganche al tiempo que saca el cable poco a poco.
3. NO jale ningún cable para sacarlo del interruptor, sin utilizar la ranura de desenganche, porque podría dañar el interruptor.

6. Vuelva a colocar el conjunto del ventilador que se desmontó en el paso 4 de la sección "PREPARACIÓN DE LA UNIDAD" (pág. 6). Enchufe el conjunto del ventilador en el tomacorriente (C) que está al costado de la cubierta de conexión. Encamine los cables alejándolos de las entradas del ventilador.

7. Instale la rejilla y el reflector de luz. Enchufe la luz en el tomacorriente (B). Apriete bien la tuerca ciega. Tenga cuidado de no apretarla en exceso porque podría deformar el reflector. Instale una bombilla de 100 watts (máx.).

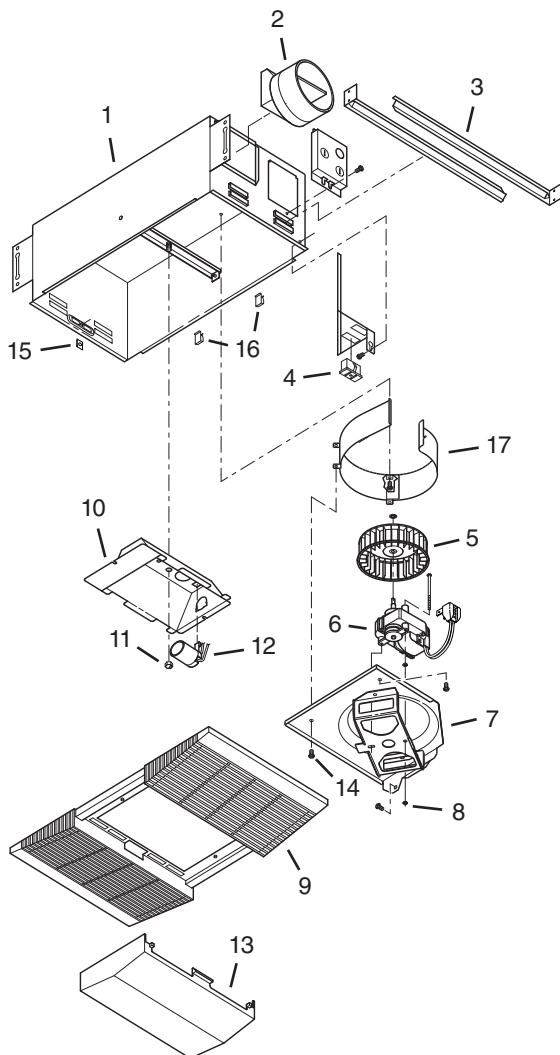


8. Instale la lente de la lámpara. Con cuidado, presione las lengüetas en la lente e insértelas en las ranuras de la rejilla.



PIEZAS DE REPUESTO

CLAVE N.º	PIEZA N.º	DESCRIPCIÓN
1	97017451	Cubierta
2	101183000	Regulador de tiro / conducto
3	44388000	Soporte de montaje (se necesitan 4)
4	99270981	Tomacorriente, blanco
	99271252	Tomacorriente, negro
5	82403000	Disco del ventilador
6	99080592	Motor del ventilador
7	97017080	Conjunto de la placa del motor del ventilador
8	99260428	Tuerca (se necesitan 4)
9	89852000	Conjunto de Rejilla (incluyen clave n.º 13)
10	98010306	Reflector de luz
11	97005316	Tuerca ciega
12	99770112	Cubo de la bombilla
13	53740000	Lente de la luz
14	99150576	Tornillo autorroscante #8 x 3/8 (se necesitan 3)
15	99260512	Tuerca Tinnerman
16	99420666	Clip de dirección del cable (se necesitan 2)
17	98010286	Banda deslizante de ventilador



Garantía limitada

Periodo y exclusiones de la garantía: Broan-NuTone LLC (la "Compañía") garantiza al consumidor comprador original de su producto ("usted") que el producto (el "Producto") estará libre de defectos en materiales o en mano de obra, por un periodo de un (1) año a partir de la fecha de compra original. El periodo de garantía limitada para cualquier pieza de repuesto proporcionada por la compañía y para cualquier Producto reparado o reemplazado bajo esta garantía limitada debe ser lo que reste del periodo de garantía original.

Esta garantía no cubre controles de velocidad, arrancadores de lámparas fluorescentes, tubos, bombillas de halógeno e incandescentes, fusibles, filtros, conductos, tapas de techo, tapas de pared ni otros accesorios que pudieran ser comprados por separado e instalados con el producto. Esta garantía tampoco cubre (a) mantenimiento y servicio normal, (b) uso y desgaste normal, (c) Productos o piezas sujetos a mal uso, abuso, uso anormal, negligencia, accidente, mantenimiento inadecuado o insuficiente, almacenamiento o reparación (que no sea reparación por parte de la Compañía), (d) daños causados por instalación defectuosa, o bien instalación o uso contrario a las recomendaciones o instrucciones, (e) cualquier Producto que se haya movido de su punto de instalación original, (f) daños ocasionados por el medio ambiente o los elementos naturales, (g) daños en tránsito, (h) desgaste natural del acabado, (i) Productos en uso comercial o no residencial, o (j) daños ocasionados por incendio, inundación u otro caso fortuito. Esta garantía cubre solamente Productos vendidos a clientes originales en los Estados Unidos por la Compañía o a distribuidores de EE. UU. autorizados por la Compañía.

Esta garantía sustituye todas las garantías anteriores y no es transferible del comprador consumidor original.

No hay otras garantías: Esta garantía limitada contiene la única obligación de la Compañía y su único recurso ante productos defectuosos. Las garantías anteriores son exclusivas y en lugar de cualquier otra garantía, expresa o implícita. **LA COMPAÑÍA NIEGA Y EXCLUYE CUALQUIER OTRA GARANTÍA EXPRESA, Y NIEGA Y EXCLUYE TODAS LAS GARANTÍAS IMPLÍCITAS POR LEY, INCLUYENDO, ENTRE OTRAS, LAS DE COMERCIALIZACIÓN Y APTITUD PARA UN PROPÓSITO EN PARTICULAR.** Hasta el grado en que la ley aplicable prohíba la exclusión de las garantías implícitas, la duración de cualquier garantía implícita aplicable está limitada al periodo especificado para la garantía expresa antes mencionada. Algunos estados no permiten limitaciones en la duración de una garantía implícita, así que la limitación anterior tal vez no aplique en su caso. Cualquier descripción verbal o escrita del Producto es para el único propósito de identificarlo y no deberá considerarse como una garantía expresa.

Siempre que sea posible, toda disposición de esta garantía limitada deberá ser interpretada de tal forma que sea efectiva y válida de conformidad con la ley aplicable, pero si alguna disposición fuera considerada prohibida o inválida, quedará sin efecto solo en virtud de dicha prohibición o invalidez, sin invalidar el resto de dicha disposición o las demás disposiciones restantes de la garantía limitada.

Recurso: Durante el periodo de garantía limitada aplicable, la Compañía, a su opción, suministrará piezas de repuesto, o reparará o reemplazará, sin cargo alguno, cualquier Producto o pieza del mismo, hasta el grado en que la Compañía lo encuentre cubierto bajo esta garantía limitada y en incumplimiento de la misma en condiciones normales de uso y servicio. La Compañía le enviará el Producto reparado o reemplazado o las piezas de repuesto sin cargo. Usted es responsable de todos los costos de retiro, reinstalación y envío, seguro u otros cargos de flete incurridos en el envío del Producto o pieza a la Compañía. Si debe enviar el Producto o la pieza a la Compañía, tal como lo indique la Compañía, debe empaquetar adecuadamente el Producto o la pieza: la Compañía no se hace responsable por los daños en tránsito. La Compañía se reserva el derecho de utilizar Productos o piezas reacondicionados, renovados, reparados o refabricados en el proceso de reemplazo o reparación de garantía. Dichos Productos y piezas serán comparables en función y desempeño a un Producto o una pieza original y tendrán garantía durante el resto del periodo de la garantía original.

Exclusión de daños: LA OBLIGACIÓN DE LA COMPAÑÍA DE SUMINISTRAR PIEZAS DE REPUESTO, O DE REPARAR O REEMPLAZAR, A OPCIÓN DE LA COMPAÑÍA, SERÁ SU ÚNICO Y EXCLUSIVO RECURSO BAJO ESTA GARANTÍA LIMITADA, Y LA ÚNICA Y EXCLUSIVA OBLIGACIÓN DE LA COMPAÑÍA. LA COMPAÑÍA NO SERÁ RESPONSABLE POR DAÑOS INCIDENTALES, INDIRECTOS, RESULTANTES O ESPECIALES QUE SURJAN POR EL USO O DESEMPEÑO DEL PRODUCTO, O EN RELACIÓN CON EL MISMO.

Algunos estados no permiten la exclusión o limitación de daños incidentales o resultantes, por lo que la limitación antes mencionada podría no aplicarse a usted. Esta garantía le otorga derechos legales específicos, y usted podría tener otros derechos que varían de un estado a otro.

Esta garantía cubre únicamente el reemplazo o la reparación de Productos defectuosos o piezas de los mismos en la planta principal de la Compañía, y no incluye el costo del viaje para el servicio de campo ni los viáticos.

Cualquier asistencia que proporcione o procure la Compañía para usted fuera de los términos, limitaciones o exclusiones de esta garantía limitada no constituirá una renuncia a dichos términos, limitaciones o exclusiones, ni dicha asistencia extenderá o renovará la garantía.

La Compañía no le reembolsará ningún gasto en el que usted haya incurrido al reparar o reemplazar cualquier Producto defectuoso, excepto los incurridos con el permiso previo por escrito de la Compañía.

Cómo obtener el servicio cubierto por la garantía: Para tener derecho al servicio cubierto por la garantía, usted debe (a) notificar a la Compañía a la dirección o número de teléfono que aparecen abajo en un plazo de siete (7) días después de descubrir el defecto cubierto, (b) proporcionar el número de modelo y la identificación de la pieza y (c) describir la naturaleza de cualquier defecto en el Producto o la pieza. En el momento de solicitar el servicio cubierto por la garantía, debe presentar un comprobante de la fecha de compra original. Si usted no puede presentar una copia de la garantía limitada original por escrito, entonces registrarán los términos de la garantía limitada por escrito más actualizada de la compañía para su producto en particular. Las garantías limitadas por escrito más actualizadas para los productos de la Compañía se pueden encontrar en www.broan.com.

Broan 926 West State Street, Hartford, WI 53027 www.broan.com 800-637-1453