

HIGH TEMPERATURE CONTROL INSTALLATION INSTRUCTIONS

For Use With:
Whole House Ventilators
20", 24", 30" Direct Drive
30", 36" Belt Drive

WARNING

ALL ELECTRICAL CONNECTIONS MUST BE IN ACCORDANCE WITH LOCAL CODES, ORDINANCES, OR NATIONAL ELECTRICAL CODE. IF YOU ARE UNFAMILIAR WITH METHODS OF INSTALLING ELECTRICAL WIRING, SECURE THE SERVICES OF A QUALIFIED ELECTRICIAN.

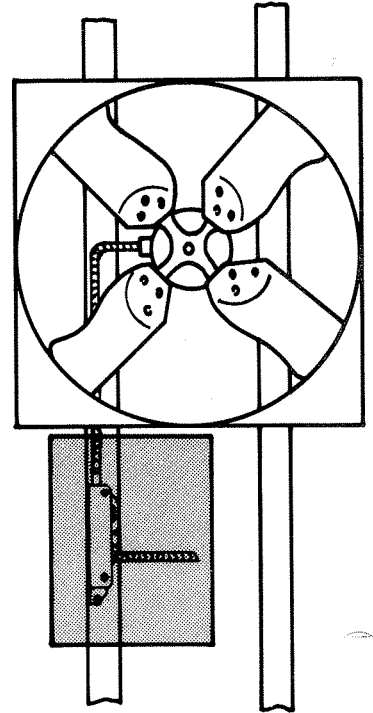
CAUTION

DO NOT COVER HIGH TEMPERATURE CONTROL WITH INSULATION.

1. TURN OFF POWER AT SERVICE ENTRANCE BEFORE WIRING CONTROL.
2. Remove control box cover.
3. Fasten control box to joists outside of Whole House Ventilator shroud. See FIG. 1. Use screws to fasten box to joists. Nailing box may damage fusible link in control.

NOTE: WIRING DIAGRAMS ON BACK

FIG. 1



4. Attach electric wiring to control box. Use proper connector for type of wire used.
5. Make electrical connections as shown in FIG. 2.
6. Replace control box cover.

NOTE: To insure proper operation of your ventilator, refer to accessory control section of your ventilator installation instructions for complete motor connection details.

OPERATION

The high temperature control has a limit switch that automatically turns the ventilator off at 204° in case of fire.

The "ON - OFF" switch on the box should be left in the "ON" position for normal operation. When working in the attic on or near the ventilator, turn the switch to the "OFF" position. This switch prevents the ventilator from being turned on accidentally.

