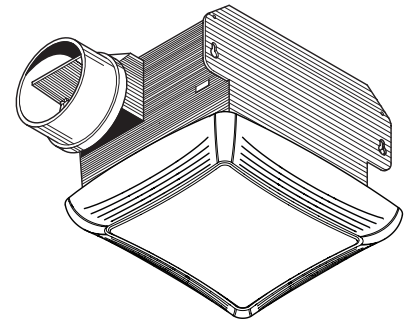


MODEL HB80RL FAN/LIGHT



Quiet heavy duty ventilators built with high performance blowers.

FEATURES

GRILLE:

Matte white polymeric - blends well with any decor
Sturdy light-diffusing lens accepts up to 100W incandescent lamp. Bulb not included.

BLOWER:

Plug-in, permanently lubricated, totally enclosed motor
Centrifugal blower wheel for quiet, efficient performance
Long life motor bearings
Designed for continuous operation

HOUSING:

Rugged, 26-gage galvanized steel construction
Integral key-holed mounting brackets for easy, secure installation directly to joist
Provision for wire suspension when installed in a drop ceiling
Tapered, polymeric duct fitting with built-in backdraft damper for easy, positive duct connection and no metallic clatter

NOTE: For installation in ceilings up to 12/12 pitch

U.L. Listed for use in insulated ceilings (Type I.C.)
U.L. Listed for use over bathtubs and showers when connected to a GFCI protected branch circuit
Use supply wiring rated for at least 90°C

TYPICAL SPECIFICATION

Fan/Light unit shall be NuTone Model HB80RL.

Unit shall have galvanized steel housing with integral mounting brackets. Unit shall have built-in backdraft damper and shall be ducted to a roof or wall cap.

Motor to be totally enclosed, permanently lubricated, and have long-life bearings designed for continuous operation. Blower assembly shall have a centrifugal blower wheel and be removable from housing.

Air delivery shall be no less and sound level no greater than valves listed in the "Performance Ratings" charts on this sheet. All air and sound ratings shall be certified by HVI.

Unit shall be U.L. Listed for use over bathtubs and showers when connected to GFCI protected branch circuit.

Unit shall be U.L. Listed for use in insulated ceilings (Type I.C.).



Broan Hartford, Wisconsin www.nutone.com 888-336-3948

REFERENCE	QTY.	REMARKS	Project
			Location
			Architect
			Engineer
			Contractor
			Submitted by Date

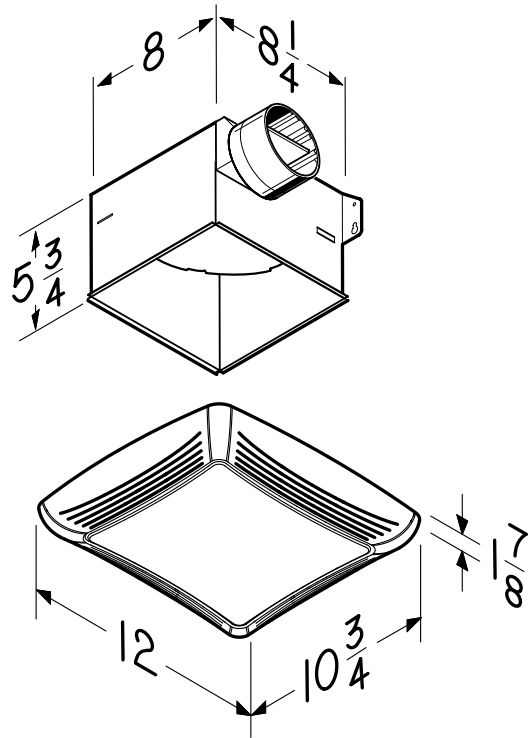
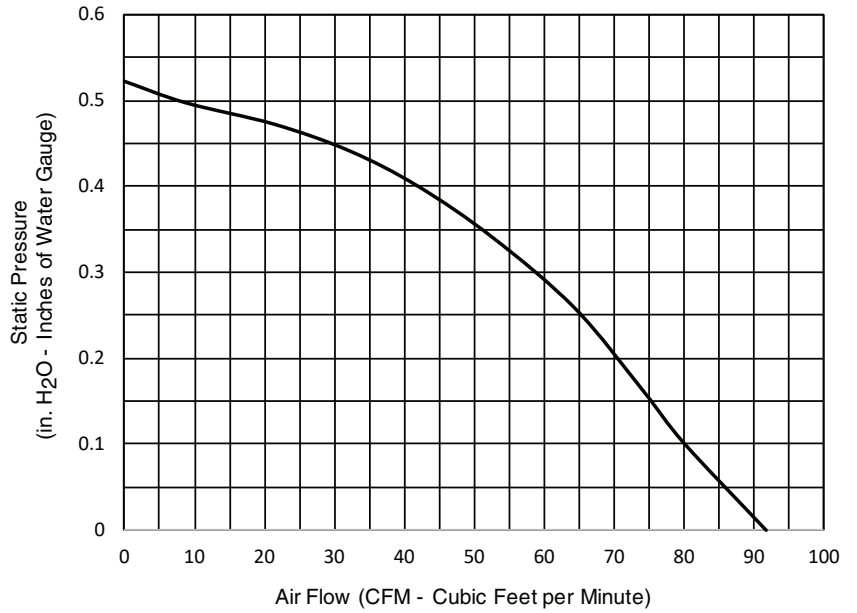
PERFORMANCE RATINGS - MODEL HB80RL

HVI PERFORMANCE

Model	Static Pressure (Ps)	CFM	Sones
HB80RL	0.10	80	2.5



HVI-2100 CERTIFIED RATINGS comply with new testing technologies and procedures prescribed by the Home Ventilating Institute, for off-the-shelf products, as they are available to consumers. Product performance is rated at 0.1 in. static pressure, based on tests conducted in a state-of-the-art test laboratory. Sones are a measure of humanly-perceived loudness, based on laboratory measurements.



WEIGHT

MODEL NO.	SHIPPING WT.
HB80RL	6.7 lbs.