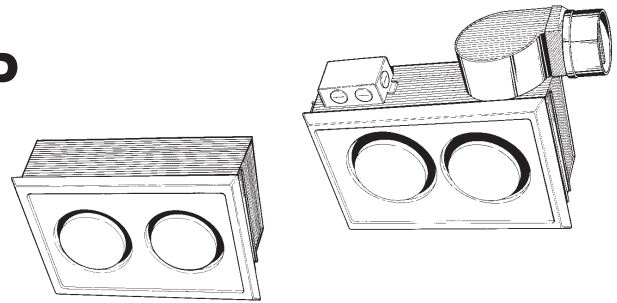


### MODELS 9422P & 9427P INFRARED BULB HEATERS



Quick and efficient, these twin-bulb heaters provide the selective temperature control you need.

#### FEATURES

- White-white polymeric grille
- Sturdy steel housing
- Adjustable mounting brackets that span up to 24"
- Housing can be adjusted vertically after ceiling is finished
- Uses (2) 250W BR40-size infrared bulbs (not included)
- Bulbs may be operated separately or in combination using the following controls:
  - Model 59W/V, 60-Minute Time Control
  - Model 61W/V, 15-Minute Time Control
  - Model 62W/V, 60-Minute Time Control with 2 Toggle Switches (Model 9427P only)
  - Model 63W/V, 60-Minute Time Control w/Toggle Switch
  - Model 66W/V, Heat/Fan/Light Control (Model 9427P only)
  - Model 68W/V, Two-Function Control
- Suitable for use in insulated ceilings (Type I.C.)

#### MODEL 9427P BULB HEATER/FAN ONLY:

- Plug-in, permanently lubricated motor
- Quiet, polymeric blower wheel
- Polymeric damper/duct connector with 1-5/8" long tapered sleeve and no metallic clatter
- Unit may function with bulbs and fan controlled together, bulbs and fan controlled separately, or EACH bulb and fan controlled separately

#### SPECIFICATIONS

MODEL	VOLTS	AMPS	WATTS*	SONES	CFM	DUCT
9422P	120	4.3	505**	----	----	----
9427P	120	4.5	545**	4.0	70	4" Round

\* Total Connected Load

\*\* BR40-size Infrared Bulbs. Use house wiring rated 60°C min.



HVI-2100 CERTIFIED RATINGS comply with new testing technologies and procedures prescribed by the Home Ventilating Institute, for off-the-shelf products, as they are available to consumers. Product performance is rated at 0.1 in. static pressure, based on tests conducted in a state-of-the-art test laboratory. Sones are a measure of humanly-perceived loudness, based on laboratory measurements.

#### TYPICAL SPECIFICATION

Bulb heater shall be NuTone Model 9422P (NuTone Model 9427P).

Heater shall have corrosion resistant steel housing and adjustable mounting brackets.

Unit must use (2) 250W BR40-size infrared bulbs. Bulb Heater to be U.L. Listed. Suitable for use in insulated ceilings (Type I.C.)

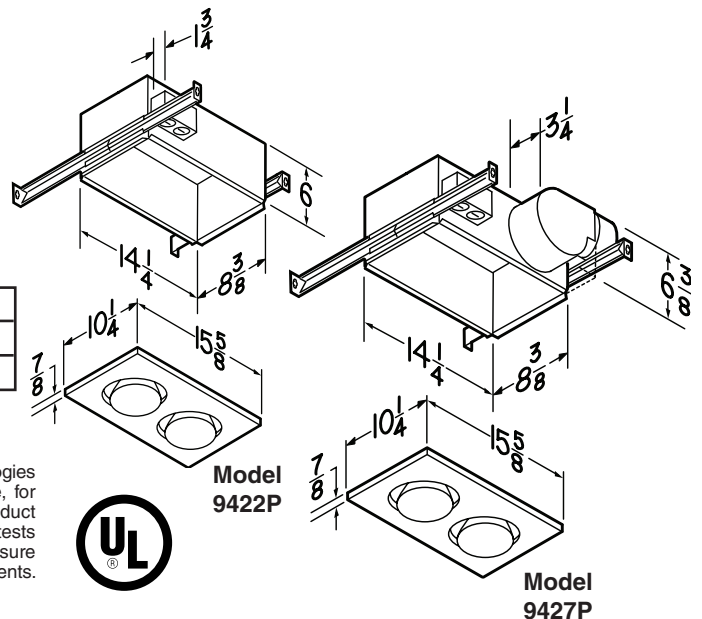
#### MODEL 9427P BULB HEATER/FAN ONLY:

Motor assembly to be removable and permanently lubricated.

Non-metallic damper/duct connector to be included.

Heater and ventilator to operate separately (or in combination).

Air delivery shall be no less than 70 CFM and sound level no greater than 4.0 Sones. All air and sound ratings shall be certified by HVI.



Broan-NuTone LLC, 926 West State Street, Hartford, WI 53027 (1-888-336-3948)

REFERENCE	QTY.	REMARKS	Project
			Location
			Architect
			Engineer
			Contractor
			Submitted by Date