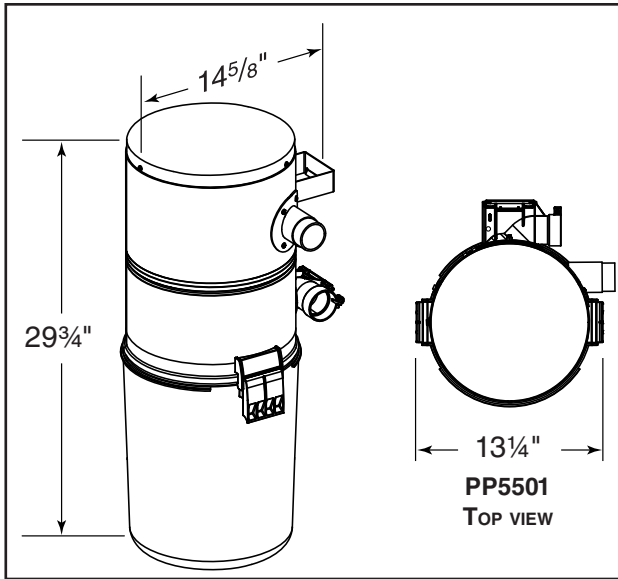


## PUREPOWER SERIES PP5501



### SPECIFICATIONS

Motor . . . . .	1-Stage
Horsepower . . . . .	2.1 @ Full open orifice
Amperes . . . . .	12
Voltage . . . . .	120 VAC
Water Lift . . . . .	120"
Air Watts . . . . .	550
Switch on Power Unit. . . . .	Yes
Recommended Circuit . . . . .	Minimum 20 Amps
Filtration Type . . . . .	Disposable bag
Capacity . . . . .	6 U.S. Gallons
Filtration Level . . . . .	Standard
Quietness . . . . .	66 dB
UL Listed . . . . .	Yes
Housing . . . . .	Metal housing with polymeric debris pail
Dimensions. . . . .	13 1/4" W x 14 5/8" D x 29 3/4" H

**Designed for homes from 1,000 to 4,000 ft.<sup>2</sup>, this power unit features a 1-stage motor that delivers 550 air watts of power.**

### FEATURES

- Standard filtration for clean indoor air
- Quiet operation; no muffler required
- Large 6 U.S. gallon disposable bag that typically needs emptying only every 6 months
- Oversized debris pail handles made for a quick and easy pail removal
- Wall-mount bracket for simple, safe and secure mounting
- Six foot long power cord
- UL Listed
- 5-Year parts warranty and 3-Year labor warranty



Broan-NuTone LLC, 926 West State Street, Hartford, WI 53027 (1-888-336-6151) www.nutone.com

Project:	REMARKS
Location:	
Model no.:	
Quantity:	
Submitted by:	
Date:	