

DESCRIPTION

- Remotely mounted fan reduces noise in occupied areas.
- Use with adjustable inlet grilles to control flow for any situation.
- Remote mounting provides flexibility in system design.
- High quality external rotor motor features long life, efficiency and quiet operation.
- Easy mounting to rafters or joist.
- Backward inclined centrifugal fan for strong air delivery with minimal noise.

DESIGN FEATURES

Air Delivery: Model ILF120: 110 cfm (52 L/s) at 0.2" Ps
 Model ILF130: 120 cfm (61 L/s) at 0.2" Ps
 Model ILF250: 230 cfm (118 L/s) at 0.2" Ps

Sound Level: N/A - unit is remotely mounted

Housing: Durable polycarbonate plastic

Motor: External rotor, ball bearing, 115 VAC, 60Hz

Blower Wheel: Backward inclined centrifugal

Duct Size: Model ILF120: 4" (102 mm) diameter
 Model ILF130: 5" (127 mm) diameter
 Model ILF250: 6" (152 mm) diameter

INSTALLATION

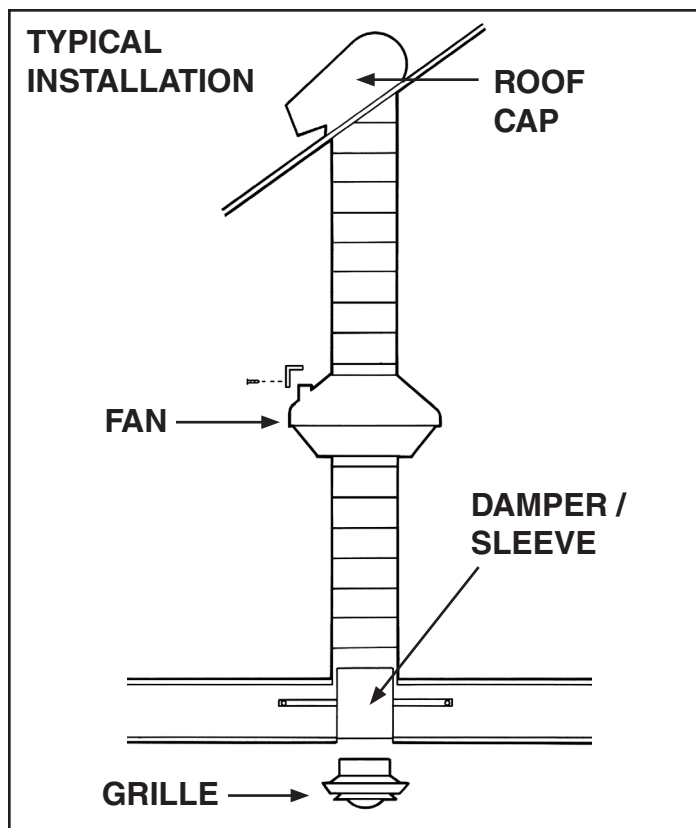
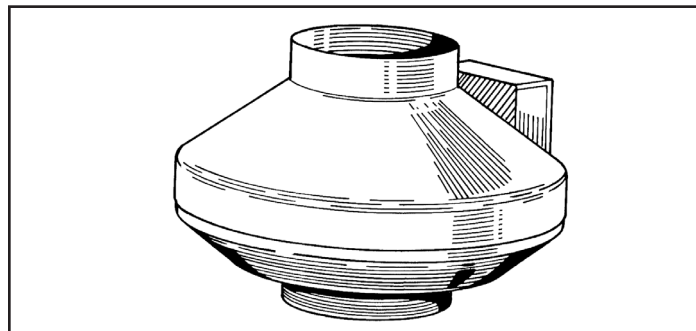
- Not for use in cooking areas.
- Not for use in wet locations.
- Suitable for use over a tub or shower when connected to a GFCI-protected branch circuit.
- Suitable for use with solid state speed controls.
- Housing mounts directly to bracket. Bracket mounts to rafter or joist.
- Complete installation instructions included with each unit.
- Switches and accessories available separately.

ARCHITECT'S SPECIFICATIONS

Exhaust Fan shall be Model ILF120, ILF130 or ILF250 as manufactured by NuTone according to listed specifications.

In-Line Fans

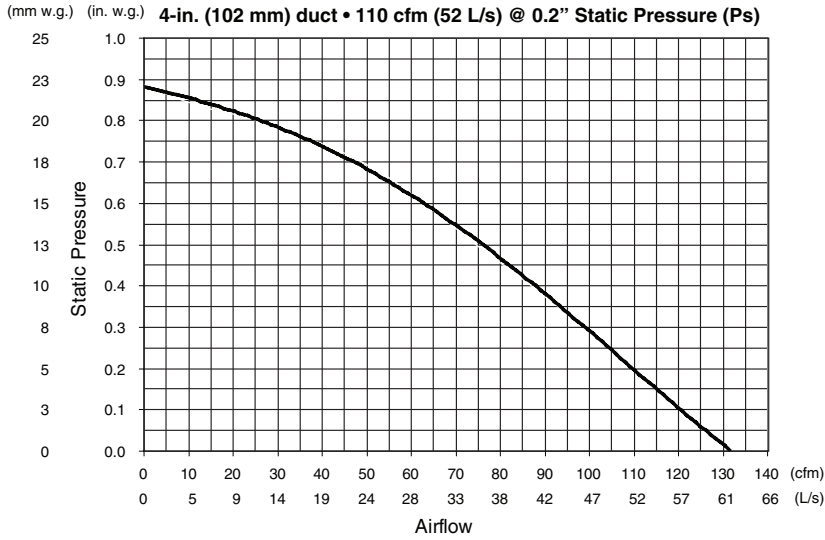
MODELS ILF120, ILF130, ILF250



Broan-NuTone LLC Hartford, Wisconsin www.nutone.com 888-336-3948
 Broan-NuTone Canada, Inc. Mississauga, Ontario www.nutone.ca 877-896-1119

REFERENCE	QTY.	REMARKS	Project
			Location
			Architect
			Engineer
			Contractor
			Submitted by Date

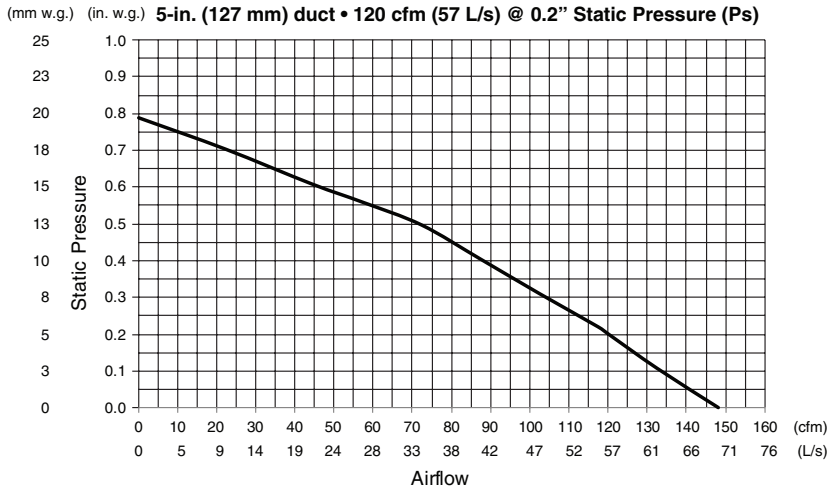
**AIR PERFORMANCE CURVE
MODEL ILF120**



HVI-2100 CERTIFIED RATINGS comply with new testing technologies and procedures prescribed by the Home Ventilating Institute, for off-the-shelf products, as they are available to consumers. Product performance is rated at 0.2 in. static pressure, based on tests conducted in a state-of-the-art test laboratory.



**AIR PERFORMANCE CURVE
MODEL ILF130**



AMPS _____

Model	Amps
ILF120	0.2
ILF130	0.2
ILF250	0.6

WATTS _____

Model	Watts
ILF120	46.0
ILF130	43.0
ILF250	84.0

**AIR PERFORMANCE CURVE
MODEL ILF250**

