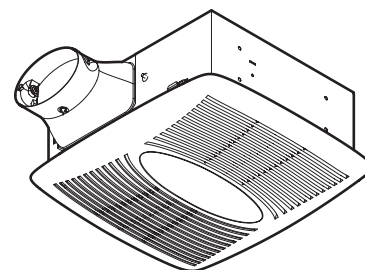


MODEL EZ80N EZ FIT VENTILATION FAN



DESCRIPTION

BLOWER:

- Plug-in, permanently lubricated motor - engineered for continuous operation
- Dynamically balanced centrifugal blower wheel for quiet, efficient performance
- Low RPM for quiet operation

HOUSING:

- Rugged, galvanized steel construction
- Metal, 4" oval duct connector with no metallic clatter
- Includes 4" oval to 3" round duct reducer
- 5" height allows for installation in 2x6 ceiling framing
- Ideal installation uses four tightening clamps that twist to secure housing directly to ceiling material *(See illustration at right)*
- Alternative installation allows housing to be directly attached to ceiling joists or trusses
- Can be mounted in flat ceilings or sloped ceilings up to 12/12 pitch

GRILLE:

- Polymeric construction
- Innovative design - the result of extensive research with designers and consumers

CONTROLS (Purchase separately):

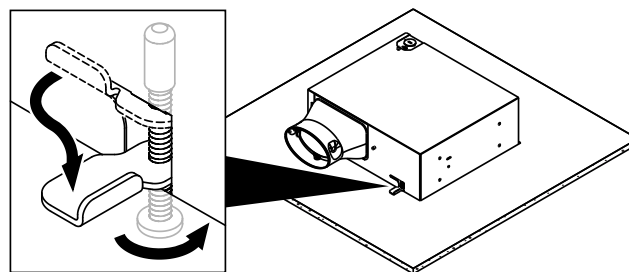
- Refer to NuTone's catalog for a complete line of accessories to effectively adapt this fan to your construction requirements.

U.L. Listed for use over bathtubs and showers when connected to a GFCI protected branch circuit (ceiling mount only).

1-Year Warranty

TYPICAL SPECIFICATION

- Fan shall be NuTone Model EZ80N.
- Fan shall have corrosion resistant galvanized steel housing. It shall be ducted to a roof or wall cap using 4" or 3" round ductwork.
- Blower assembly shall be removable, have a centrifugal-type blower wheel and a permanently lubricated motor designed for continuous operation.
- Metal damper/duct connector shall be included.
- Air delivery shall be no less than 80 CFM and sound level no greater than 1.0 Sones. All air and sound ratings shall be certified by HVI.
- Fan shall be ENERGY STAR® qualified and have an energy efficient permanent split capacitor motor.
- Fan shall be U.L. Listed for use over bathtubs and showers when connected to a GFCI protected branch circuit (ceiling mount only).



Broan-NuTone LLC Hartford, Wisconsin www.nutone.com 888-336-3948

REFERENCE	QTY.	REMARKS	Project
			Location
			Architect
			Engineer
			Contractor
			Submitted by Date

PERFORMANCE RATINGS

MODEL EZ80N EZ FIT VENTILATION FAN

HVI PERFORMANCE

4" Duct			3" Duct				
0.1 Ps - Static Pressure (inH ₂ O)		0.25 Ps	0.1 Ps - Static Pressure (inH ₂ O)		0.25 Ps		
Airflow (CFM)	Sound (Sones)	Power (Watts)	Airflow (CFM)	Airflow (CFM)	Sound (Sones)	Power (Watts)	Airflow (CFM)
80	1.0	25.7	61	70	1.3	25.0	55



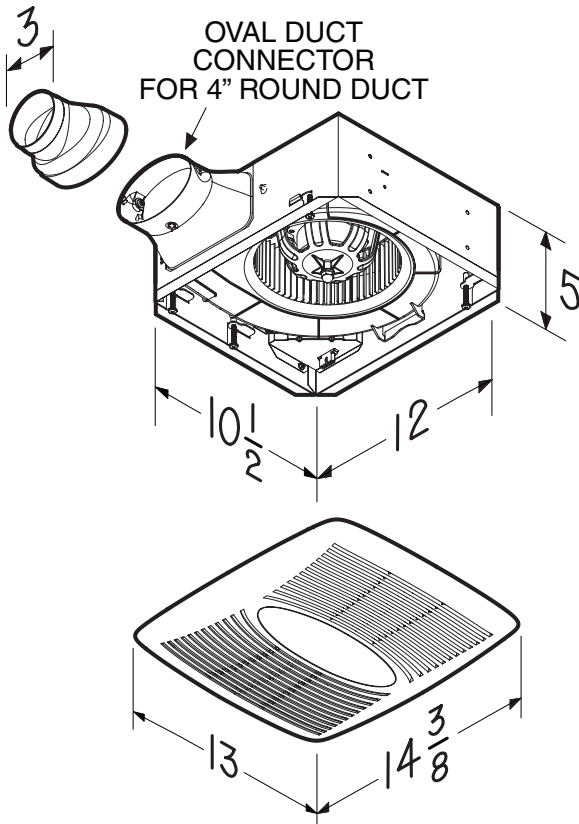
HVI-2100 CERTIFIED RATINGS comply with new testing technologies and procedures prescribed by the Home Ventilating Institute, for off-the-shelf products, as they are available to consumers. Product performance is rated at 0.1 in. static pressure, based on tests conducted in a state-of-the-art test laboratory. Sones are a measure of humanly-perceived loudness, based on laboratory measurements.

AMPS

Model	Amps
EZ80N	0.3

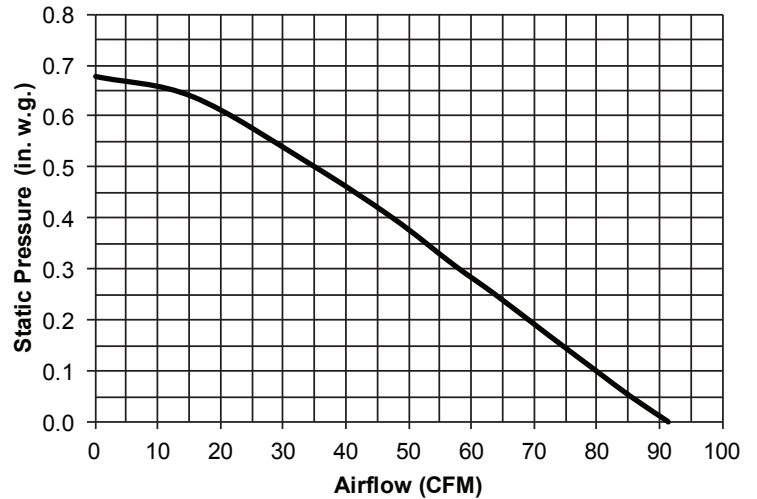
WEIGHT

Model	Shipping Weight
EZ80N	9.6 lbs.

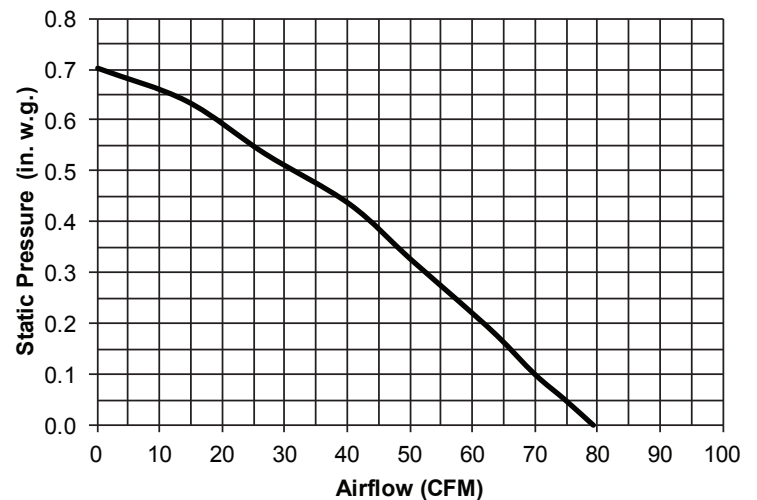


AIR FLOW PERFORMANCE

MODEL EZ80N - 4" DUCT



MODEL EZ80N - 3" DUCT



NuTone®

Broan-NuTone LLC Hartford, Wisconsin www.nutone.com 888-336-3948