

# Wall Heater

## READ AND SAVE THESE INSTRUCTIONS

### IMPORTANT INSTRUCTIONS

#### READ ALL INSTRUCTIONS BEFORE INSTALLING OR USING THIS HEATER.

To reduce the risk of fire, electric shock, or injury to persons, observe the following:

1. Use this unit only in the manner intended by the manufacturer. If you have questions, contact the manufacturer at the address or telephone number listed in the warranty.
2. Before servicing or cleaning unit, switch power off at service panel and lock the service disconnecting means to prevent power from being switched on accidentally. When the service disconnecting means cannot be locked, securely fasten a prominent warning device, such as a tag, to the service panel.
3. Installation work and electrical wiring must be done by a qualified person(s) in accordance with all applicable codes and standards, including fire-rated construction codes and standards.
4. When cutting or drilling into wall or ceiling, do not damage electrical wiring and other hidden utilities.
5. This heater is hot when in use. To avoid burns, do not let bare skin touch hot surfaces. Keep combustible materials, such as furniture, pillows, bedding, papers, clothes, etc. and curtains at least 3 feet (0.9 m) from the front of the heater.
6. Extreme caution is necessary when any heater is used by or near children or invalids and whenever the heater is left operating and unattended.
7. Do not operate any heater after it malfunctions. Disconnect power at service panel and have heater inspected by a reputable electrician before reusing.
8. Do not use outdoors.
9. To disconnect heater, turn controls to off, and turn off power to heater circuit at main disconnect panel (or operate internal disconnect switch, if provided).
10. Do not insert or allow foreign objects to enter any ventilation or exhaust opening, as this may cause an electric shock or fire, or damage the heater.
11. To prevent a possible fire, do not block air intakes or exhaust in any manner.
12. A heater has hot and arcing or sparking parts inside. Do not use it in areas where gasoline, paint, or flammable vapors or liquids are used or stored.
13. Use this heater only as described in this manual. Any other use not recommended by the manufacturer may cause fire, electric shock, or injury to persons.
14. Install heater at least 12 inches from floor or any adjacent wall.
15. To avoid electrical shock: Do not install unit in a tub or shower enclosure or any location where it may come in contact with water. Never place a switch where it can be reached from a tub or shower.
16. This product may ONLY be installed vertically in a wall. Do not mount in any other position.
17. Do not connect heater to dimmer switch or speed control.
18. This product must be grounded.

### SAVE THESE INSTRUCTIONS

## PLANNING

This heater is intended to be used to supply supplemental heat from a wall location in new or existing construction.

Choose a location where edge of heater will be at least 12" from the floor or any adjacent vertical surface.

The heater can be operated using its built-in thermostat or a remote thermostat (such as the Model 86W Line-Voltage thermostat or an appropriate low-voltage thermostat and transformer/relay). The Model 85 Kit is available for surface-mount applications. Purchase these accessories separately.

Plan to supply the heater with proper line voltage and appropriate power cable.

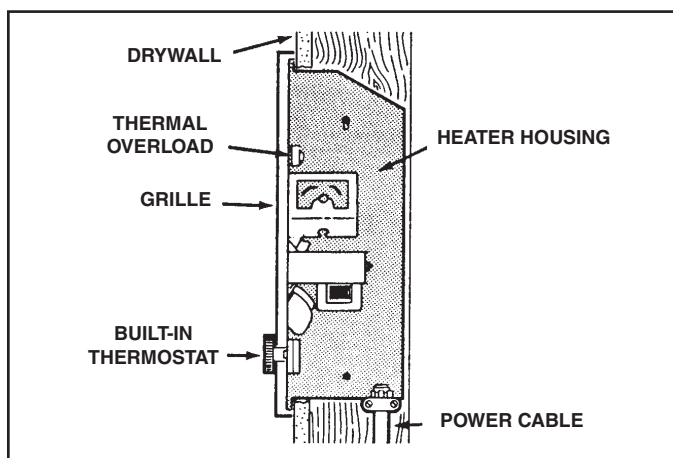
**NOTE:** Power can be tapped from a nearby circuit depending on the heater wattage required and the amperage rating of the circuit.

Heater can be converted to half-wattage to avoid overloading such circuits.

MODEL	VOLTS	AMPS	WATTS	BTU/HR
192	<b>240</b>	<b>8.33/4.17</b>	<b>2000/1000</b>	<b>6827/3413</b>
194	<b>240</b>	<b>12.50/6.25</b>	<b>3000/1500</b>	<b>10240/5120</b>
198	<b>240</b>	<b>16.67/8.33</b>	<b>4000/2000</b>	<b>13653/6827</b>

**Bold** ratings are factory wired.

See "OPTIONAL WIRING CONVERSIONS" section for wattage conversion instructions.



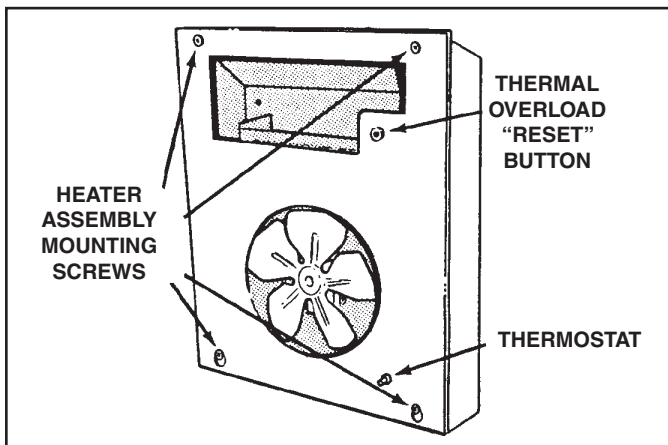
Follow these basic steps when installing this heater:

- 1) Nail housing to studs.
- 2) Connect power cable.
- 3) Fasten heater assembly and grille to housing.

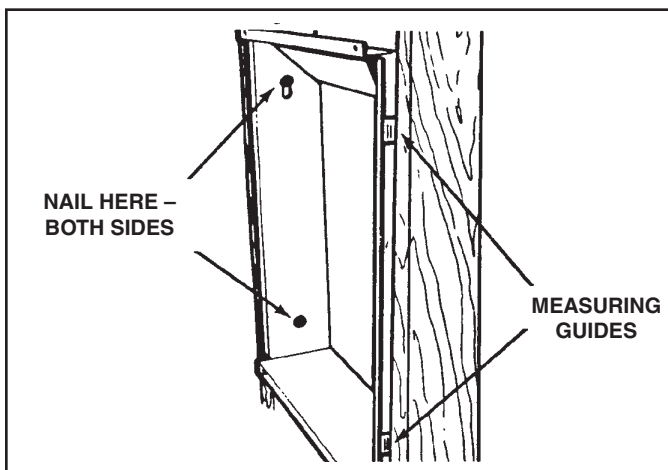
## INSTALLATION

**WARNING:** To reduce the risk of fire, do not store or use gasoline or other flammable vapors and liquids in the vicinity of the heater.

**CAUTION:** High temperature, risk of fire, keep electrical cords, drapery, furnishings, and other combustibles at least 3 feet (0.9 m) from the front of the heater and away from the side and rear.



1. Remove heater assembly from housing. Take out the four (4) screws shown and set heater assembly aside.



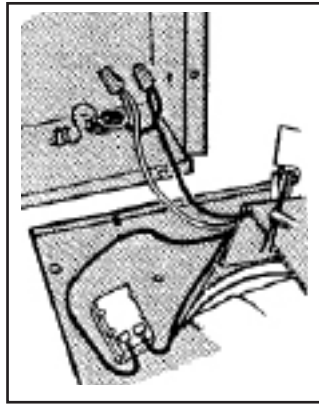
2. Attach housing to wall studs.  
**NOTE:** Locate housing at least 12" from floor on any adjacent walls.  
Use the measuring guides on the sides of housing to position housing so that it will be flush with finished wall. Nail the housing to studs through the hole and slot on both sides of housing.  
**NOTE:** In 24"-on-center stud construction, framing in between studs is necessary.

## WIRING

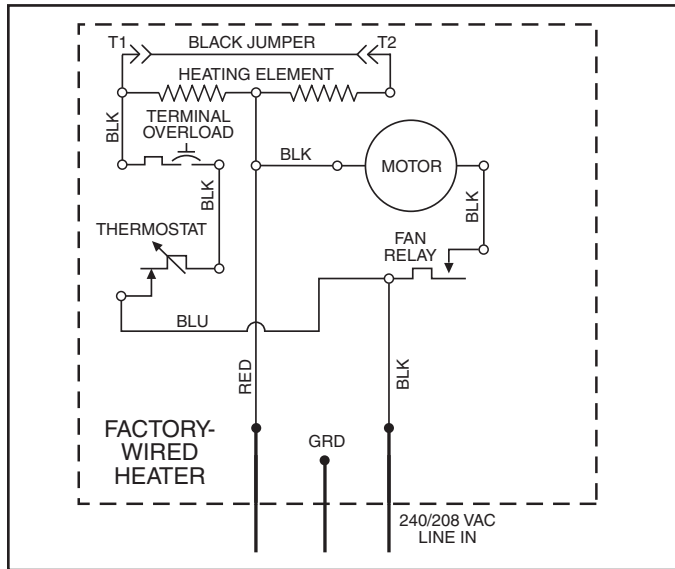
Installation work and electrical wiring must be done by a qualified person(s) in accordance with all applicable codes and standards, including fire-rated construction codes and standards.

1. Connect power cable to housing. Attach electrical power cable to housing using appropriate connector. Allow 6" of wire inside housing.

2. Wire the heater assembly. Connect wires from heater assembly to power cable wires. Follow wiring diagram.



If heater is wired direct, use the built-in thermostat for temperature control.

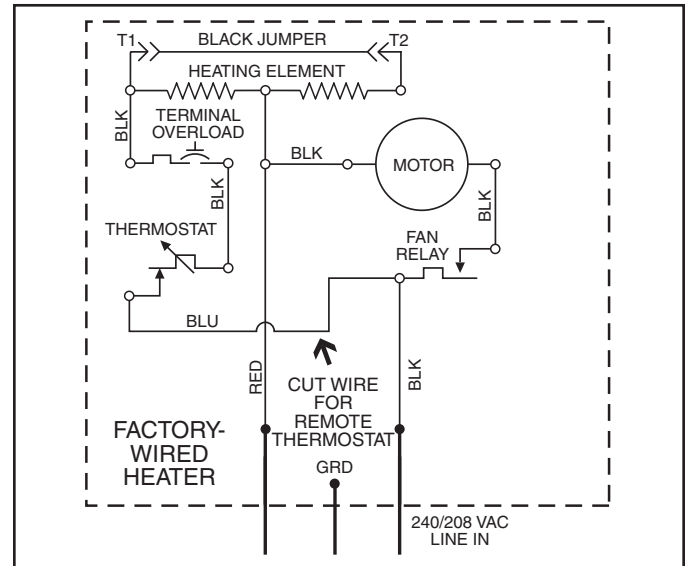


## OPTIONAL WIRING CONVERSIONS

When using a separate wall control, simply turn the heater's built-in thermostat to its highest setting. There is no need to disconnect the built-in thermostat:

- a) Turn built-in thermostat to highest setting.
- b) Remove knob.
- c) Fasten security cover to grille.

### LINE-VOLTAGE THERMOSTAT

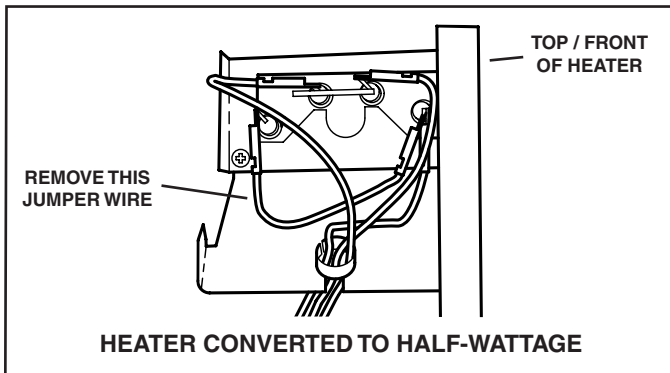


If wall-mounted control is desired, use the Model 86W Line-Voltage Thermostat. Purchase thermostat separately.

Cut blue wire. Strip 1/2" of insulation from each end. Connect wires from wall control to each stripped wire.

If wall-mounted control is desired, use a transformer/relay with an appropriate low-voltage thermostat (purchase separately). Follow the mounting and wiring instructions packed with the controls.

## HALF-WATTAGE CONVERSION



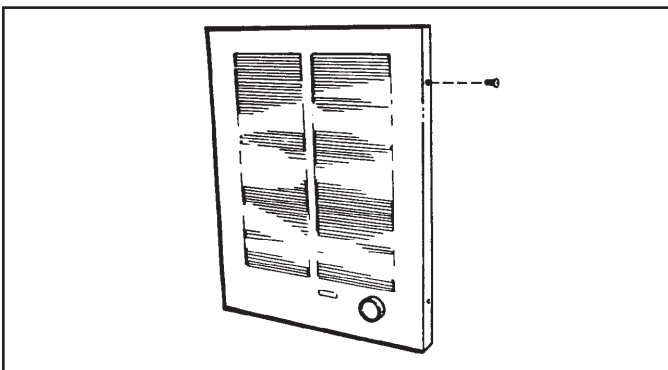
The heater will produce less heat and use less electricity if converted to half-wattage. Remove the black jumper wire from the heating element and discard wire.

## COMPLETE THE INSTALLATION

1. Install housing mask. A housing mask has been provided to keep construction dust, drywall spray, paint, etc., from damaging the heater. Bend the flap on the mask and push it into the heater housing.

**NOTE:** Mask can be put into place before or after heater assembly is reinstalled. Remove mask before operation.

2. Reinstall heater assembly. Secure heater assembly to housing with four (4) screws. Check thermal overload button marked "RESET". Heater will not operate unless this button is depressed.



3. Install grille. Place grille over heater and attach with four (4) screws. Push knob onto thermostat stem.

4. Attach security cover to grille (optional). When heater is installed in a public area without a separate wall control, it is recommended that:
  - a) Built-in thermostat be set to desired temperature level.
  - b) Thermostat knob be removed.
  - c) Security cover be attached to grille with two (2) screws, provided.
5. Check operation. Turn on power at service entrance. Turn thermostat to its highest setting and make sure heating element and blower come on. Then turn it to its lowest setting and make sure element and blower shut off.

**NOTE:** The fan delay prevents the fan from coming on until the element is hot. Likewise, it keeps the fan running until the element cools down.

## OPERATION

Before using heater, make sure heater has been properly installed according to installation steps under “INSTALLATION” on page 3.

The heater can be operated using its built-in thermostat or a remote thermostat (such as the Model 86W Line-Voltage thermostat or an appropriate low-voltage thermostat and transformer/relay). The Model 85 Kit is available for surface-mount applications. Purchase these accessories separately.

### THERMAL OVERLOAD PROTECTOR

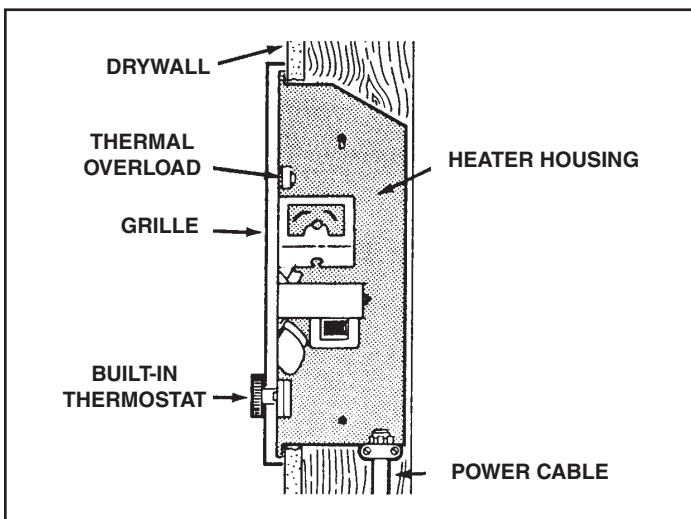
Your heater is equipped with a manual-reset thermal overload protector. If heater fails to operate when thermostat is turned to its highest setting:

- 1) Turn off power at service entrance.
- 2) Remove knob and grille.
- 3) Press button marked “RESET”.

This type of device is particularly useful (compared to automatic reset devices) because it encourages the user to find and correct the cause of overheating unit when resetting the protector.

### TO AVOID PROPERTY DAMAGE WHEN USING THIS HEATER TO PREVENT FREEZE-UPS:

Make sure heater functions properly before leaving unattended. A tripped protector will prevent the heater from operating.



## **MAINTENANCE**

---

The following maintenance and cleaning tasks can be performed by the user. All other servicing must be performed by an authorized technician. If you have any questions, please consult with our customer service department at: 800-558-1711.

### **LUBRICATION**

The heater is permanently lubricated and never needs oiling or disassembly.

### **CLEANING**

Clean heater once a month as follows:

1. Turn off power at service panel.
2. Make sure heating element is cool.
3. Use a soft brush attachment to gently vacuum grille openings or wipe grille clean with a soft cloth.
4. Restore power.

**CAUTION: METAL AND ELECTRICAL PARTS SHOULD NEVER BE IMMERSSED IN WATER.**

## SERVICE PARTS

KEY NO.	PART NUMBER	PART DESCRIPTION
3	99030190	Fan Delay
4	98006989	Element Bracket (2 Required)
5	99271155	Heating Element (Model 192)
	99270723	Heating Element (Model 194)
	99270724	Heating Element (Model 198)
6	99400061	Bushing
7	97008688	Black Wire Assembly (29-1/2")
8	97008690	Black Jumper Wire
9	*	Thermal Overload Bracket
10	*	Thermal Overload
11	97008692	Red Power Wire
12	99150491	Screw, 8-18 x 3/8 Ph. Pan Head (14 Required)
13	97008683	Partition Plate Assembly
14	93270619	Wire Clamp ( 3 Required)
15	99260425	Nut, 8-32 Hex Keps (2 Required)
20	99160350	Screw, 6-32 x 1/4 Ph. Pan Head (2 Required)
21	99030324	Thermostat
22	99080251	Motor (Model 198)
23	99080249	Motor (Models 192 & 194)
24	99020255	Fan Blade
25	97013822	Grille
26	99150478	Screw, 8-18 x 3/8 PH Truss Hd. (4 Required)
27	99090683	Grille Logo
29	99360136	Knob
30	99110687	Security Cover
31	93150462	Screw, 8-18 x 5/8 Oval Head (2 Required)
*	97013945	Assembly, Thermal Overload (Includes Key Nos. 9, 10, & 12 (2))

## WARRANTY

### BROAN-NUTONE ONE YEAR LIMITED WARRANTY

Broan-NuTone warrants to the original consumer purchaser of its products that such products will be free from defects in materials or workmanship for a period of one year from the date of original purchase. THERE ARE NO OTHER WARRANTIES, EXPRESS OR IMPLIED, INCLUDING, BUT NOT LIMITED TO, IMPLIED WARRANTIES OF MERCHANTABILITY OR FITNESS FOR A PARTICULAR PURPOSE.

During this one-year period, Broan-NuTone will, at its option, repair or replace, without charge, any product or part which is found to be defective under normal use and service.

THIS WARRANTY DOES NOT EXTEND TO FLUORESCENT LAMP STARTERS, TUBES, HALOGEN AND INCANDESCENT BULBS, FUSES, FILTERS, DUCTS, ROOF CAPS, WALL CAPS AND OTHER ACCESSORIES FOR DUCTING. This warranty does not cover (a) normal maintenance and service or (b) any products or parts which have been subject to misuse, negligence, accident, improper maintenance or repair (other than by Broan-NuTone), faulty installation or installation contrary to recommended installation instructions.

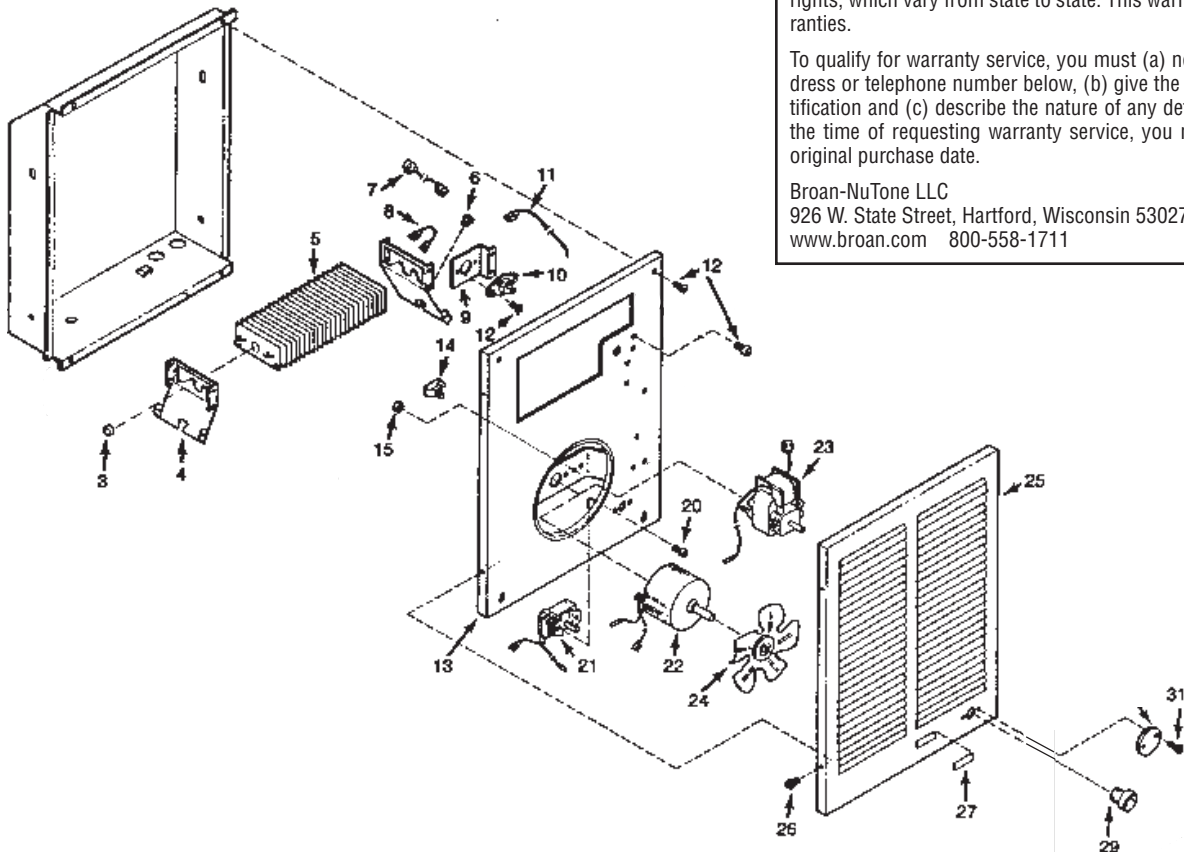
The duration of any implied warranty is limited to the one-year period as specified for the express warranty. Some states do not allow limitation on how long an implied warranty lasts, so the above limitation may not apply to you.

BROAN-NUTONE'S OBLIGATION TO REPAIR OR REPLACE, AT BROAN-NUTONE'S OPTION, SHALL BE THE PURCHASER'S SOLE AND EXCLUSIVE REMEDY UNDER THIS WARRANTY. BROAN-NUTONE SHALL NOT BE LIABLE FOR INCIDENTAL, CONSEQUENTIAL OR SPECIAL DAMAGES ARISING OUT OF OR IN CONNECTION WITH PRODUCT USE OR PERFORMANCE. Some states do not allow the exclusion or limitation of incidental or consequential damages, so the above limitation or exclusion may not apply to you.

This warranty gives you specific legal rights, and you may also have other rights, which vary from state to state. This warranty supersedes all prior warranties.

To qualify for warranty service, you must (a) notify Broan-NuTone at the address or telephone number below, (b) give the model number and part identification and (c) describe the nature of any defect in the product or part. At the time of requesting warranty service, you must present evidence of the original purchase date.

Broan-NuTone LLC  
926 W. State Street, Hartford, Wisconsin 53027  
www.broan.com 800-558-1711



Product specifications  
subject to change  
without notice.



# Calentador de la Pared

## LEA Y CONSERVE ESTAS INSTRUCCIONES

### INSTRUCCIONES IMPORTANTES

#### LEA TODAS LAS INSTRUCCIONES ANTES DE INSTALAR O USAR ESTE CALENTADOR.

Para reducir el riesgo de incendios, descargas eléctricas o lesiones personales, observe las siguientes precauciones:

1. Use la unidad solo de la manera indicada por el fabricante. Si tiene preguntas, comuníquese con el fabricante a la dirección o al número telefónico que se incluye en la garantía.
2. Antes de dar servicio a la unidad o de limpiarla, interrumpa el suministro eléctrico en el panel de servicio y bloquee los medios de desconexión del servicio para evitar que la electricidad se reanude accidentalmente. Cuando no sea posible bloquear los medios de desconexión del servicio, fije firmemente una señal de advertencia (como una etiqueta) en un lugar visible del panel de servicio.
3. El trabajo de instalación y el cableado eléctrico deben estar a cargo de personal capacitado, de acuerdo con todos los códigos y normas correspondientes, incluidos los códigos y normas de construcción específicos sobre protección contra incendios.
4. Al cortar o perforar a través de la pared o del cielo raso, tenga cuidado de no dañar el cableado eléctrico ni otros servicios ocultos.
5. Este calentador se calienta cuando se usa. Para evitar quemaduras, no deje que la piel desnuda toque las superficies calientes. Mantenga materiales combustibles como muebles, almohadas, ropa de cama, papeles, ropa, etc., así como las cortinas, por lo menos a 3 pies (0.9 m) de la parte delantera del calentador.
6. Es necesario tener extremo cuidado cuando se use un calentador cerca de niños o personas inválidas, y siempre que el calentador se deje funcionando y sin atención.
7. No haga funcionar ningún calentador después de que presente una falla. Desconecte la energía eléctrica en el panel de servicio y pida que un electricista acreditado inspeccione el calentador antes de volverlo a usar.
8. No lo use en exteriores.
9. Para desconectar el calentador, mueva los controles a la posición de apagado y desconecte la energía eléctrica al circuito del calentador en el panel de desconexión principal (o active el interruptor de desconexión interna, si existe).
10. No inserte ni permita que objetos extraños entren en la abertura de ventilación o de escape, pues esto puede ocasionar una descarga eléctrica, un incendio o daños al calentador.
11. Para prevenir un posible incendio, no bloquee la entrada o salida del aire de ninguna manera.
12. El calentador tiene piezas calientes y que pueden generar arcos eléctricos o chispas en el interior. No lo use en áreas donde se use o almacene gasolina, pintura o vapores o líquidos inflamables.
13. Use este calentador solamente como se describe en este manual. Cualquier otro uso no recomendado por el fabricante puede ocasionar un incendio, una descarga eléctrica o lesiones a personas.
14. Instale el calentador por lo menos 30,48 cm (12 pulg.) desde el piso o cualquier pared adyacente.
15. Para evitar golpe eléctrico: No instale la unidad en una bañera o recinto de ducha. Nunca coloque un interruptor en un lugar que pueda ser alcanzado desde una bañera o ducha.
16. Este producto SOLAMENTE se puede instalar verticalmente en una pared. No lo monte en ninguna otra posición.
17. No conecte el calentador a un variador de luz o control de velocidad.
18. Este producto debe ser conectado a tierra.

### GUARDE ESTAS INSTRUCCIONES

## PLANIFICACION

Este calentador ha sido diseñado para proporcionar calefacción adicional desde el cielo raso en una construcción nueva o una ya existente.

Escoja un lugar en que el borde del calentador se encuentre por lo menos a 30,48 cm (12 pulg.) de cualquier superficie vertical adyacente.

Este calentador se puede poner en funcionamiento usando su termostato incorporado o un termostato a distancia (por ejemplo el termostato de tensión de línea Modelo 86 o un termostato de bajo voltaje apropiado y transformador/relé). El conjunto Modelo 85 está disponible para aplicaciones de montaje en superficie. Adquiera estos accesorios en forma separada. Proporcione al calentador la tensión de línea y cable de energía eléctrica apropiados.

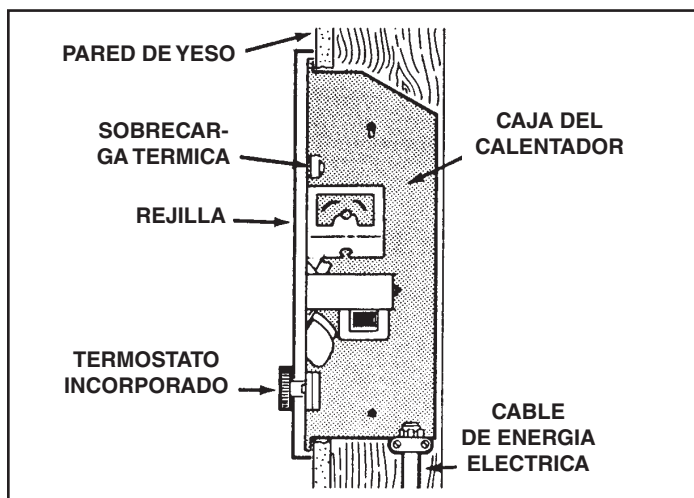
**NOTA:** La energía se puede tomar de un circuito cercano, lo que dependerá del vatiaje requerido del calentador y amperaje nominal del circuito.

El calentador se puede convertir a mitad de vatiaje para evitar sobrecargar dichos circuitos.

MODELO	VOLTIOS	AMPS	VATIOS	BTU/HR
192	240	8.33/4.17	2000/1000	6827/3413
194	240	12.50/6.25	3000/1500	10240/5120
198	240	16.67/8.33	4000/2000	13653/6827

El cableado viene de fábrica para las corrientes nominales **en letras oscuras**.

Sección "CONVERSIONES DE CABLEADO ORIGINAL" encontrará las instrucciones de conversión de vatiaje.



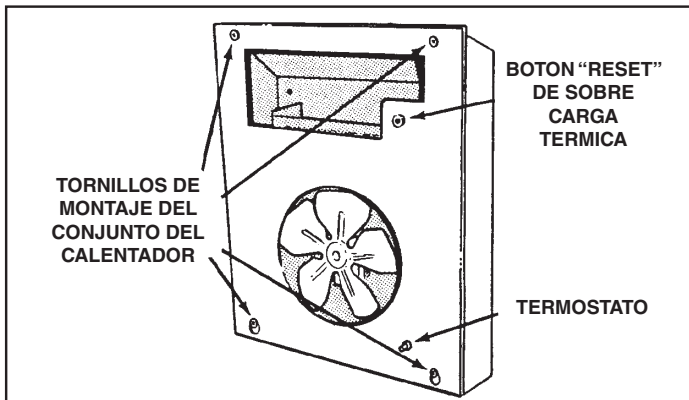
Al instalar este calentador, siga estos pasos básicos:

- 1) Clave la caja en las vigas.
- 2) Conecte el cable de energía eléctrica.
- 3) Fije el conjunto del calentador y la rejilla a la caja

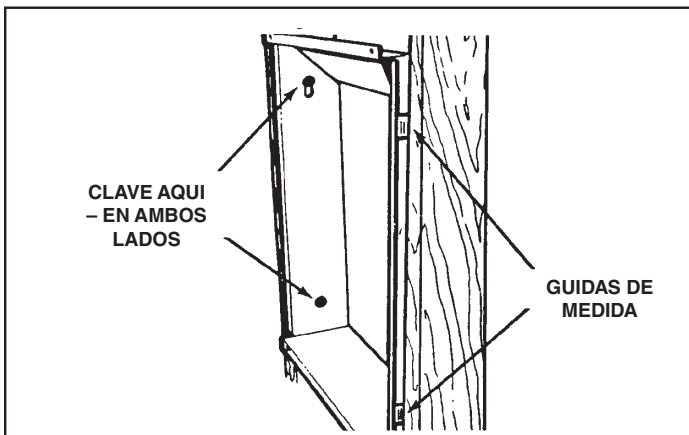
## INSTALACION

**ADVERTENCIA:** Para reducir el riesgo de incendio, no almacene ni use gasolina u otros vapores y líquidos inflamables en las cercanías del calentador.

**PRECAUCIÓN:** Temperatura alta, el riesgo de incendio, mantenga los cables eléctricos, cortinas, muebles y otros materiales combustibles por lo menos 3 pies (0,9 m) del frente del calentador y lejos de la cara y la parte trasera.



1. Saque el conjunto de calentador de la caja. Saque los cuatro (4) tornillos que se muestran y saque el conjunto del calentador.



2. Enganche la caja en las vigas de la pared.

**NOTA:** Sitúe la caja a una distancia por lo menos de 30,48 cm (12 pulg.) del piso o de cualquier pared adyacente.

Use las guías de medida al costado de la caja, a fin de colocarla a nivel con la pared terminada. Clave la caja a las vigas a través del agujero y la ranura en ambos lados de la caja.

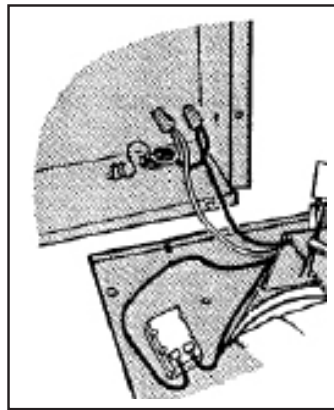
**NOTA:** En una construcción de vigas con centro de 60,96 cm (24 pulg.), se hace necesaria una armazón entre las vigas.

## CABLEADO

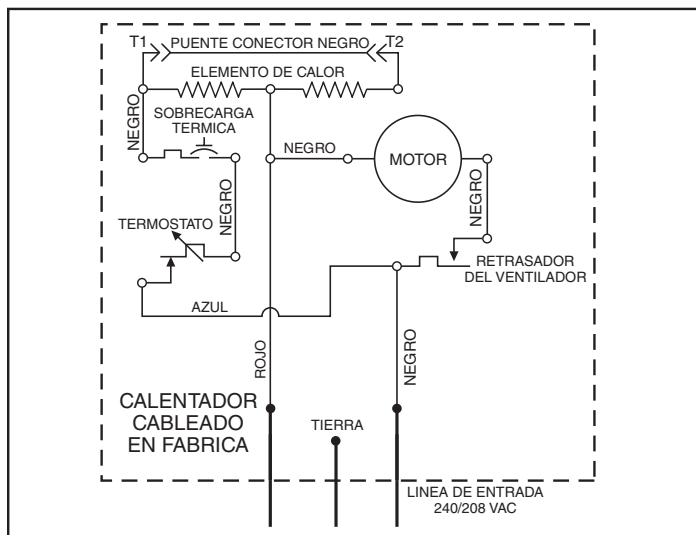
El trabajo de instalación y el cableado eléctrico deben estar a cargo de personal capacitado, de acuerdo con todos los códigos y normas correspondientes, incluidos los códigos y normas de construcción específicos sobre protección contra incendios.

1. Conecte el cable de electricidad a la caja. Conecte el cable de energía eléctrica a la caja usando el conector adecuado. Deje 15,24 cm (6 pulg.) de cable dentro de la caja.

2. Cableado del conjunto de calentador. Conecte los alambres del conjunto de calentador a los alambres de cable de energía. Siga el diagrama de cableado.



Si el calentador está cableado en forma directa, use el termostato incorporado para el control de temperatura.



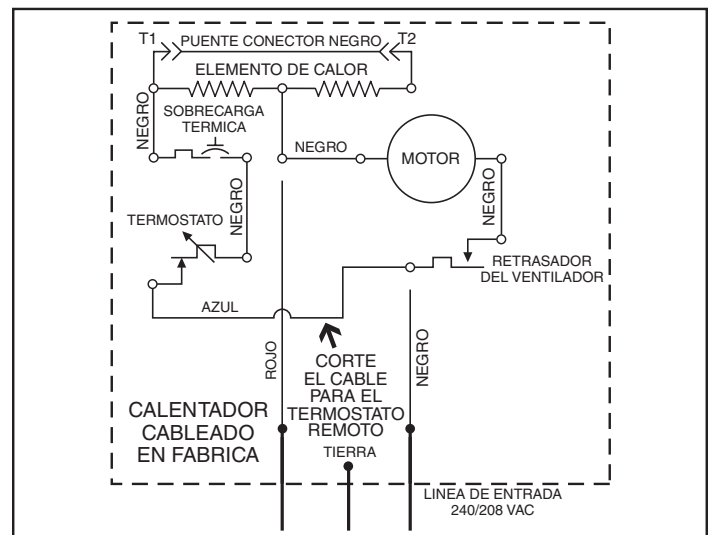
## CONVERSIONES DE CABLEADO OPCIONAL

Al usar un control de pared separado, prenda el termostato incorporado al calentador en su graduación más alta. No es necesario desconectar el termostato incorporado.

Para evitar un ajuste descendente no deseado del termostato incorporado:

- a) Ponga el termostato incorporado en su graduación más alta.
- b) Quite la perilla.
- c) Fije la cubierta de seguridad a la rejilla.

## TERMOSTATO DE TENSIÓN DE LÍNEA

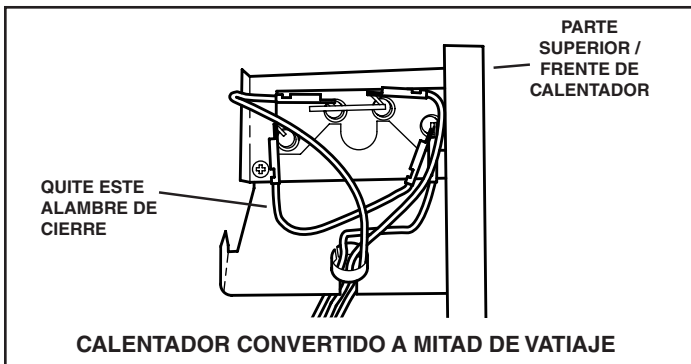


Si se desea control montado en la pared, use el termostato de tensión de línea Modelo 86W. Compre el termostato por separado.

Corte el cable azul. Quite 1,27 cm (1/2 pulg.) de aislamiento en cada extremo. Conecte los cables del control de pared con cada cable desnudo.

Si se desea control montado en la pared, use un termostato de bajo voltaje apropiado (compre por separado). Siga las instrucciones de montaje y cableado que vienen con los controles.

## CONVERSIÓN A MITAD DE VATIAJE



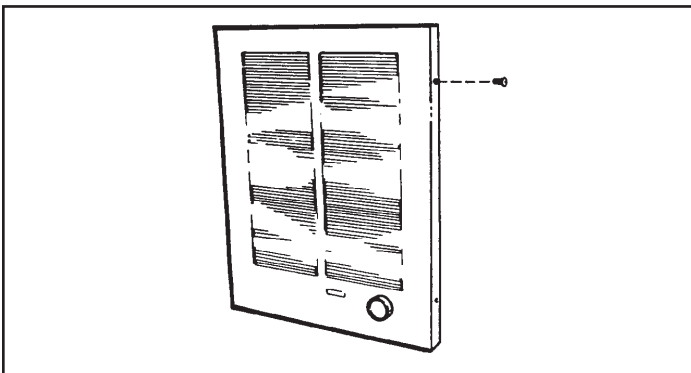
El calentador producirá menos calor y usará menos electricidad si se le convierte a mitad de vatiaje. Saque del elemento de calor el alambre negro de puente y bote éste.

## COMPLETE LA INSTALACION

1. Instale la cubierta de la caja. Se provee una cubierta de caja para evitar que el polvo de la construcción, rocíos de yeso, pintura, etc., dañen el calentador. Doble la aleta de la cubierta y póngala dentro de la caja del calentador.

**NOTA:** La cubierta se puede colocar en su lugar antes o después de reinstalar el conjunto del calentador.

2. Reinstale el conjunto del calentador. Fije el conjunto del calentador a la caja con cuatro (4) tornillos. Mire el botón "RESET" de sobrecarga térmica. El calentador no funcionará a menos que el botón esté oprimido.



3. Instale la rejilla. Coloque la rejilla sobre el calentador y fíjelo con cuatro (4) tornillos. Empuje la perilla en el vástago del termostato.

4. Fije la cubierta de seguridad a la rejilla (opcional). Cuando se instala el calentador en un área pública sin un control de pared separado, se recomienda:
  - a) Graduar el termostato incorporado al nivel de temperatura deseado.
  - b) Quitar la perilla del termostato.
  - c) Fijar la cubierta de seguridad a la rejilla con dos (2) tornillos, que se proveen.
5. Compruebe el funcionamiento. Conecte la energía en la entrada de servicio. Active el termostato en su graduación más alta y compruebe que se activen el elemento de calor y el soplador. Luego actívelo en su graduación más baja y compruebe que se apaguen el elemento y el soplador.

**NOTA:** El retrasador del ventilador evita que el ventilador se active hasta que el elemento esté caliente. Asimismo, mantiene al ventilador en funcionamiento hasta que el elemento se enfríe.

## OPERACIÓN

Antes de usar el calentador, asegúrese de que esté instalado adecuadamente, de acuerdo con los pasos de instalación indicados en "INSTALACION" en la página 9.

El calentador de puede ser operado usando su built-in termostato o un termostato remoto (tales como el Modelo 86W termostato de Line-Voltage o un termostato de baja-voltaje apropiado y el transformador / relé). El 85 Kit Modelo está disponible para aplicaciones superficie de-de montaje en. Compra estos accesorios por separado.

### PROTECTOR DE SOBRECARGA TERMICA

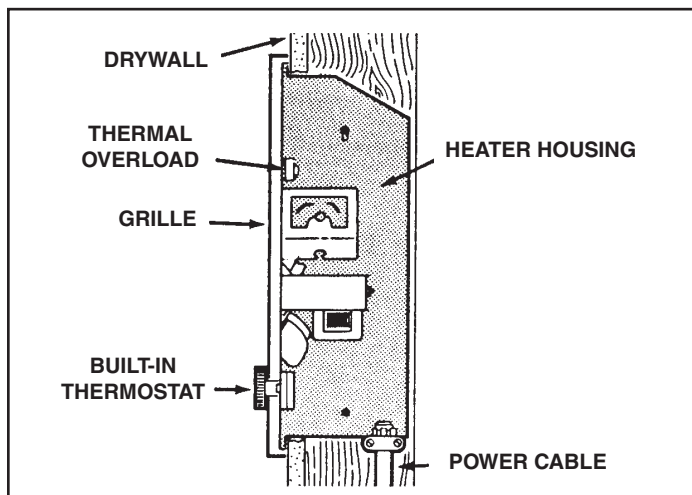
Su calentador cuenta con un protector de sobrecarga térmica de reposición manual. Si el calentador no funciona cuando el termostato está activado en su graduación más alta:

- 1) Corte la energía en la entrada de servicio.
- 2) Saque la perilla y la rejilla.
- 3) Oprima el botón "RESET".

Este tipo de dispositivo es especialmente útil (comparado con los de reposición automática), ya que alienta al usuario a encontrar y corregir la causa del sobrecalentamiento de una unidad al reajustar el protector.

### A FIN DE EVITAR DAÑOS A LA PROPIEDAD CUANDO SE USE ESTE CALENTADOR PARA EVITAR CONGELAMIENTOS:

COMPRUEBE que el calentador funciona correctamente ANTES de dejarlo desatendido. Un protector desconectado evitará que el calentador opere.



## **MAINTENIMIENTO**

---

El usuario puede realizar las siguientes tareas de mantenimiento y limpieza. Todos los demás servicios los debe realizar un técnico autorizado. Si tiene preguntas, consulte a nuestro departamento de servicio al cliente llamando al: 800-558- 1711.

### **LUBRICACIÓN**

El calentador está permanentemente lubricado y nunca necesitará ponerle aceite ni desarmarlo.

### **LIMPIEZA**

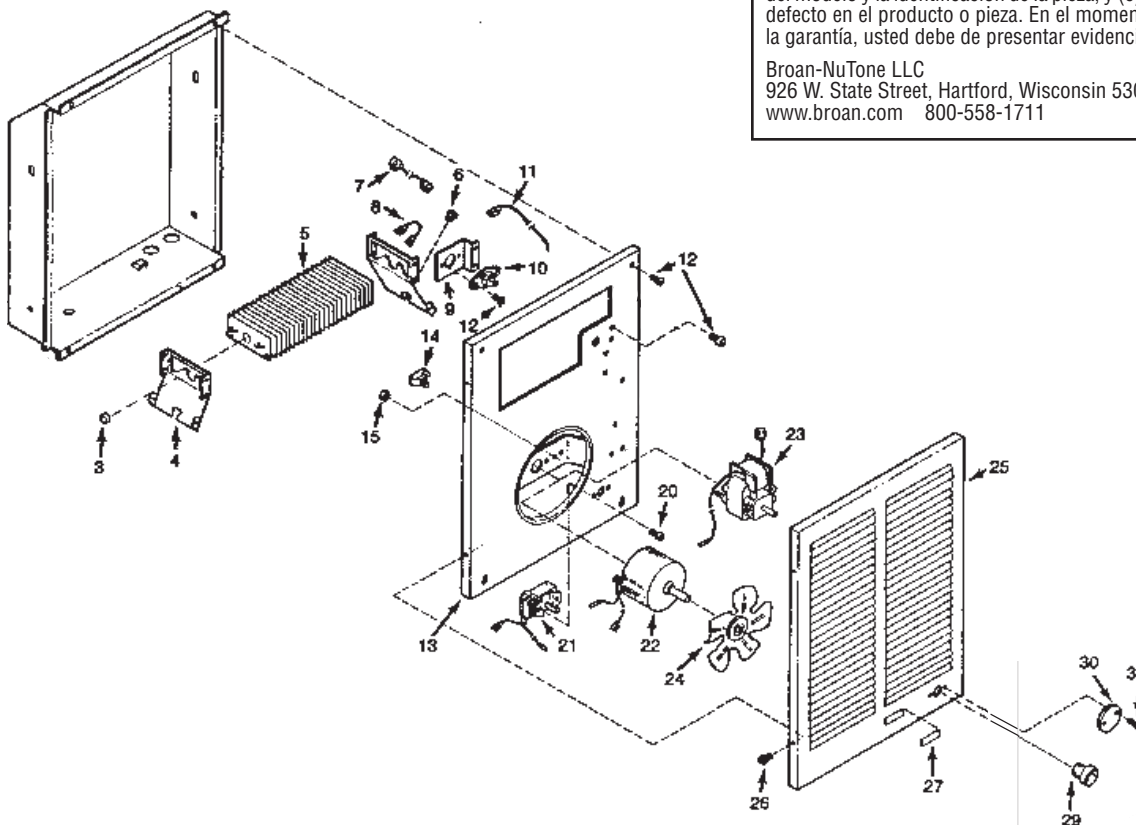
Limpie el calentador una vez al mes tal como sigue:

1. Apague la energía eléctrica en el panel de servicio.
2. Asegúrese de que el elemento de calefacción esté frío.
3. Use un aditamento de cepillo suave para aspirar suavemente aberturas de la rejilla o limpie la rejilla con un paño suave.
4. Restaure la energía eléctrica.

**CUIDADO – LAS PIEZAS METÁLICAS Y ELÉCTRICAS NUNCA SE DEBEN SUMERGIR EN AGUA.**

## LISTA DE PIEZAS

REF.	NUMERO DE PIEZAS	DESCRIPCION
3	99030190	Retraso de ventilador
4	98006989	Soporte del elemento (Se requieren 2)
5	99271155	Elemento de calefacción (Modelo 192)
	99270723	Elemento de calefacción (Modelo 194)
	99270724	Elemento de calefacción (Modelo 198)
6	99400061	Manguito aislador
7	97008688	Conjunto de alambre negro (74,93 cm)
8	97008690	Alambre de puente
9	*	Soporte de sobrecarga térmica
10	*	Sobrecarga térmica
11	97008692	Alambre de energía rojo
12	99150491	Tornillo phillips, cabeza grande. 8-18 x 3/8 (se requieren 14)
13	97008683	Conjunto de placa de separación
14	93270619	Sujetador del alambre (se requieren 3)
15	99260425	Tuerca, Keps hexagonales de 8-32 (se requieren 2)
20	99160350	Tornillo, cabeza móvil ph 6-32 x 1/4 (se requieren 2)
21	99030324	Termostato
22	99080251	Motor (Modelo 198)
23	99080249	Motor (Modelos 192 & 194)
24	99020255	Paleta de ventilador
25	97013822	Rejilla
26	99150478	Tornillo de ranura, 8-18 x 3/8 PH Truss Hd. (se requieren 4)
27	99090683	Logotipo de rejilla
29	99360136	Perilla
30	99110687	Cubierta de seguridad
31	93150462	Tornillo, cabeza ovalada 8-18 x 5/8 (se requieren 2)
*	97013945	Conjunto de sobrecarga térmica (Incluye Numero de Codigo 9, 10, y 12 (2))



## GARANTIA

### GARANTIA BROAN-NUTONE LIMITADA POR UN AÑO

Broan-NuTone garantiza al consumidor comprador original de sus productos que dichos productos carecerán de defectos en materiales o en mano de obra por un período de un año a partir de la fecha original de compra. NO EXISTEN OTRAS GARANTIAS, EXPLICITAS O IMPLICITAS, INCLUYENDO, PERO NO LIMITADAS A, GARANTIAS IMPLICITAS DE COMERCIALIZACION O APTITUD PARA UN PROPOSITO PARTICULAR.

Durante el período de un año, y a su propio criterio, Broan-NuTone reparará o reemplazará, sin costo alguno cualquier producto o pieza que se encuentre defectuosa bajo condiciones normales de servicio y uso.

LA PRESENTE GARANTÍA NO CUBRE LOS TUBOS FLUORESCENTES NI SUS ARRANCADORES, BOMBILLAS DE HALÓGENO E INCANDESCENTES, FUSIBLES, FILTROS, CONDUCTOS, TAPONES DE TECHO O PAREDES Y DEMÁS ACCESORIOS PARA CONDUCTOS. Esta garantía no cubre (a) mantenimiento y servicio normales o (b) cualquier producto o piezas que hayan sido utilizadas de forma errónea, negligente, que hayan causado un accidente, o que hayan sido reparadas o mantenidas inapropiadamente (por otras compañías que no sean Broan-NuTone), instalación defectuosa, o instalación contraria a las instrucciones de instalación recomendadas.

La duración de cualquier garantía implícita se limita a un período de un año como se especifica en la garantía expresa. Algunos estados no permiten limitaciones en cuanto al tiempo de expiración de una garantía implícita, por lo que la limitación antes mencionada puede no aplicarse a usted.

LA OBLIGACION DE BROAN-NUTONE DE REPARAR O REEMPLAZAR, SIGUIENDO EL CRITERIO DE BROAN-NUTONE, DEBERA SER EL UNICO Y EXCLUSIVO RECURSO LEGAL DEL COMPRADOR BAJO ESTA GARANTIA. BROAN-NUTONE NO SERA RESPONSABLE POR DAÑOS INCIDENTALES, CONSIGUIENTES, O POR DAÑOS ESPECIALES QUE SURJAN A RAIZ DEL USO O DESEMPEÑO DEL PRODUCTO. Algunos estados no permiten la exclusión o limitación de daños incidentales o consiguientes, por lo que la limitación antes mencionada puede no aplicarse a usted.

Esta garantía le proporciona derechos legales específicos, y usted puede también tener otros derechos, los cuales varían de estado a estado. Esta garantía reemplaza todas las garantías anteriores.

Para calificar en la garantía de servicio, usted debe (a) notificar a Broan-NuTone al domicilio o al número de teléfono que se menciona abajo, (b) dar el número del modelo y la identificación de la pieza, y (c) describir la naturaleza de cualquier defecto en el producto o pieza. En el momento de solicitar servicio cubierto por la garantía, usted debe de presentar evidencia de la fecha original de compra.

Broan-NuTone LLC  
926 W. State Street, Hartford, Wisconsin 53027  
www.broan.com 800-558-1711

Especificaciones de producto conforme a cambio sin el aviso.