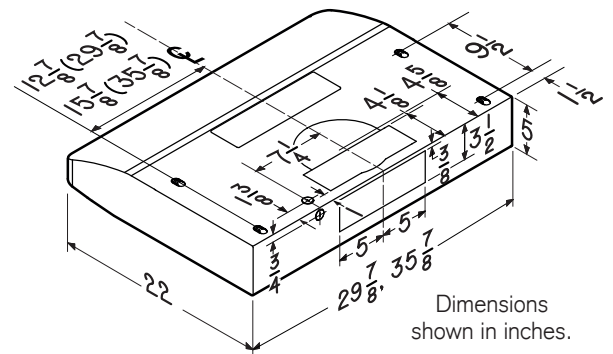
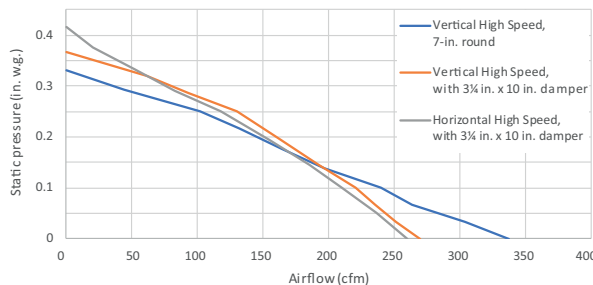


The sculpted lines of Alta™ bring an exciting, new choice to typical range hood shapes. Sophisticated curves and hidden controls offer a beautiful alternative to traditional designs.

SIZE	BLACK	STAINLESS	WHITE	GREASE FILTERS (replacement)	NON-DUCTED FILTERS
30 in.	ALT130BL	ALT130SS	ALT130WW	HPFAMM30 (Type "C1" / "C2")	HPF30 (Type "Xc")
36 in.	ALT136BL	ALT136SS	ALT136WW	HPFAMM36 (Type "D1" / "D2")	HPF36 (Type "Xd")

HVI PERFORMANCE									
Duct Orientation	Size	Damper	Sones			CFM			
			Normal	Medium*	High	Normal	Medium*	High 0.25 in. w.g.	High 0.1 in. w.g.
Vertical - Rectangular	3¼ in. x 10 in.	Included	1.5	3.0	5.0	130	180	125	220
Horizontal - Rectangular	3¼ in. x 10 in.	Included	1.5	3.0	5.0	110	150	115	210
Round - Vertical	7 in.	Sold Separately	1.5	3.0	5.0	140	190	100	240

FEATURES	
Max. Blower CFM**	300
Control type	2-speed Rocker
Delay off	no
Filter Clean Reminder	no
Heat Sentry™	no
ADA Capable	yes
Lighting	2-level Halogen (included)
Grease Filters	Micro Mesh (Qty. 2)
Installation Hardware	EZ1 Bracket
ENERGY STAR®	no
Recirculation	Non-ducted filters sold separately
AC INPUT	
120 V, 60 Hz - 1.4 AMPS	
OPTIONAL ACCESSORIES	
7-in. Round Damper	BP87Q
Make-up Air Dampers	MD6TU, MD8TU and MD10TU
MOUNTING HEIGHT	
18 in. to 24 in. from cooktop to bottom of hood	
LIMITED WARRANTY	
1-year (See installation manual for full warranty text.)	
FOR INDOOR USE ONLY	



Dimensions shown in inches.

HVI-2100 CERTIFIED RATINGS comply with new testing technologies and procedures prescribed by the Home Ventilating Institute, for off-the-shelf products, as they are available to consumers. Product performance is rated at 0.1 and 0.25 in. static pressure at high speed based on tests conducted in an HVI-approved state-of-the-art test laboratory. Sones are a measure of humanly-perceived loudness, based on laboratory measurements.

* Where noted performance rating is not HVI certified but was established in accordance with HVI Standardized test procedure.

** Max. blower CFM indicates the performance of the hood blower in open air.

99046183C

