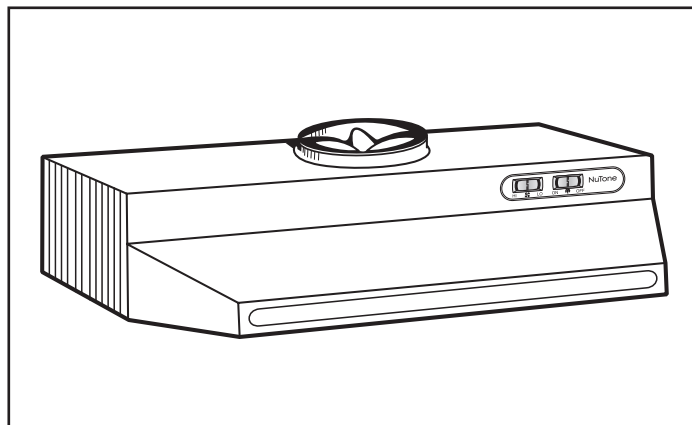
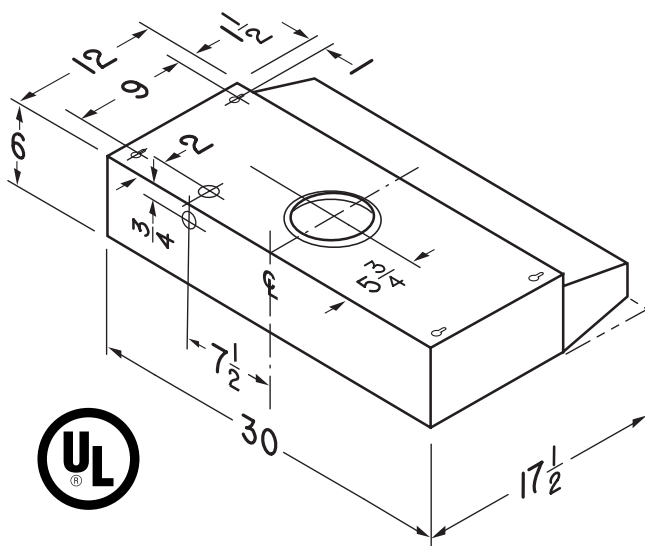


## Two-Speed 7" Round Ducted Range Hood

### MODEL RL6300 SERIES

#### DESCRIPTION

- Rocker-type fan and light switches.
- Polymeric blade and light lens (accepts up to 75W bulb).
- Washable aluminum filter.
- Mitered sides and hemmed bottom for safety and good looks.
- 7" round damper (available separately).
- Contemporary styling in White/White
- Available in 30" width.



#### INSTALLATION

Complete installation instructions are included with each Range Hood.

#### ARCHITECT'S SPECIFICATION

Ducted Range Hood shall be NuTone Model RL6300 as manufactured by NuTone according to specifications listed:

Unit shall be ducted vertically into 7" round ductwork.

Motor to be permanently lubricated. RPM not to exceed 2750.

Unit shall have a two-speed fan switch and separate light switch.

Sides shall be mitered and bottom edge hemmed – with no sharp edges.

Air delivery shall be no less than 190 CFM and sound level no greater than 6.0 sones. All air and sound ratings shall be certified by HVI.

Unit shall be U.L. listed.

#### SPECIFICATIONS

VOLTS	AMPS	RPM	SONES	CFM	DUCT
120	2.0	2750	6.0	190	7" round



HVI-2100 CERTIFIED RATINGS comply with new testing technologies and procedures prescribed by the Home Ventilating Institute, for off-the-shelf products, as they are available to consumers. Product performance is rated at 0.1 in. static pressure, based on tests conducted in a state-of-the-art test laboratory. Sones are a measure of humanly-perceived loudness, based on laboratory measurements.

Broan-NuTone LLC Hartford, Wisconsin www.nutone.com 888-336-3948

REFERENCE	QTY.	REMARKS	Project
			Location
			Architect
			Engineer
			Contractor
			Submitted by Date