

The sleek shape of Corteo makes it a perfect companion for today's modern kitchens. Advanced features like the quiet Captur™ system and LED lighting make it a pleasure to use. The LED modules included with this hood are the latest in LED cooktop illumination technology specially designed to operate in the elevated temperatures of cooking - offering bright lighting and lasting up to 25 times as long as a standard bulb and greater reliability than typical replacement LED bulbs.



SIZE	WHITE	BLACK	STAINLESS	GREASE FILTERS (replacement)	NON-DUCTED FILTERS
30 in.	CRSF130WW	CRSF130BL	CRSF130SS	HPFA130 (Type C1)	HPF30 (Type Xc)

HVI PERFORMANCE								
Duct Orientation	Size	Damper	Sones		CFM			
			Normal	High	Normal	High 0.25 in. w.g.	High 0.1 in. w.g.	
Vertical - Rectangular	3¼ in. x 10 in.	Included	1.5	5.0	130	130	220	
Horizontal - Rectangular	3¼ in. x 10 in.	Included	1.5	5.0	110	128	210	
Round - Vertical	7 in.	Sold Separately	1.5	5.0	150	110	240	

FEATURES	
Max. Blower CFM*	300
Control type	2-speed Rocker
Delay off	no
Filter Clean Reminder	no
Heat Sentry™	no
ADA Capable	yes
Lighting	1-level LED (included)
Grease Filters	Open Mesh (Qty. 2)
Installation Hardware	EZ1 brackets
ENERGY STAR®	no
Recirculation	Non-ducted filters sold separately

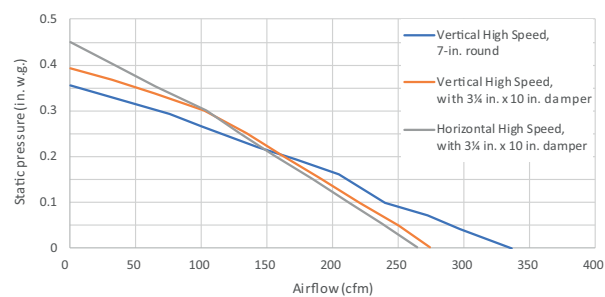
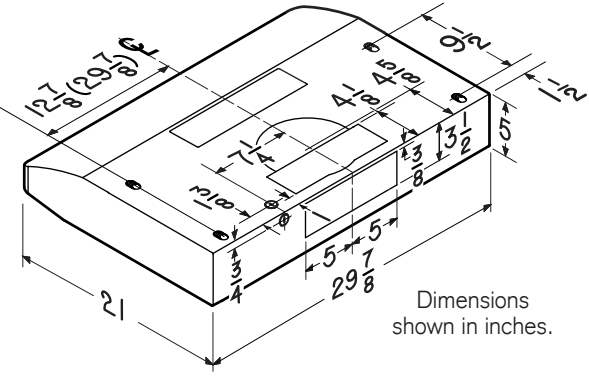
AC INPUT	
120 V, 60 Hz - 0.65 AMPS	

OPTIONAL ACCESSORIES	
7-in. Round Damper	BP87Q
Make-up Air Dampers	MD6TU, MD8TU and MD10TU

MOUNTING HEIGHT	
18 in. to 24 in. from cooktop to bottom of hood	

LIMITED WARRANTY	
1-year	
3-year (LED modules only)	
<i>See installation manual for full warranty text.</i>	

FOR INDOOR USE ONLY



SPECIFICATION SHEET
CORTEO - CRSF1 SERIES

HVI-2100 CERTIFIED RATINGS comply with new testing technologies and procedures prescribed by the Home Ventilating Institute, for off-the-shelf products, as they are available to consumers. Product performance is rated at 0.1 in. static pressure, based on tests conducted in AMCA's state-of-the-art test laboratory. Sones are a measure of humanly-perceived loudness, based on laboratory measurements.