

Broan NuTone Model 82A, 82W, P82W, P82WC Premium Humidity Sensing Wall Control

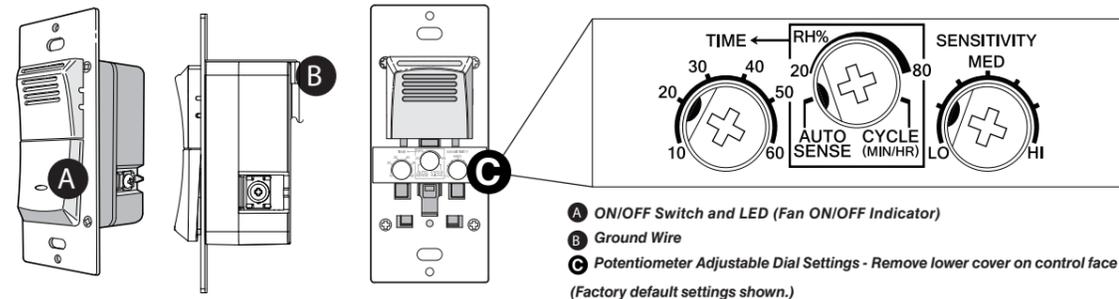
Installation Instructions

INCLUDED

- Switch
- Instruction Sheet
- Note: Wall plate not included – Use Broan Part No. S97012925 (or equivalent)

CONTROL SPECIFICATIONS

- cULus listed
- 120 VAC 60 Hz Line Power
- 9A Max. Total Load (Fan + Lamp)
- When used in combination with fan/light fixtures that are switched together, the device is rated for the following lamps: 600W Incandescent, 150W LED, 150W CFL, or 400VA Inductive Ballasted Fluorescent Lamps
- Typical wire sizes: 12AWG (MAX) or 14AWG solid or stranded copper wire
- Operating temperature: 0-50°C (32-122°F)

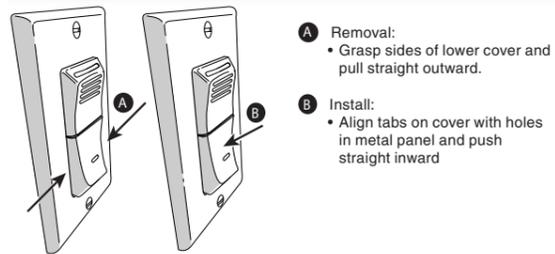


- For bathroom applications the Control should be placed at a level to detect humidity. Placing the Control directly above a heater or near drafts is not recommended.
- It is recommended that in large spaces the Broan-NuTone Premium Humidity Sensing Wall Control be placed within close proximity to the shower/tub/sink (main source of the humidity/steam) to most effectively measure/detect excess humidity.

INSTALLATION

- Turn power (circuit breaker) OFF.
- Remove existing switch cover and switch from wall box.
- Disconnect and label switch wires.
- Connect Black (HOT), White (Neutral - Required) and Black or Red (Load) wires to Humidity Wall Control Switch.
- Install Humidity Control in wall box, and secure with the two attached screws.
- Install wall plate (not provided) on Humidity Control, and secure with the two captive screws.
- Turn power (circuit breaker) ON. Note: When power is applied, the Model 82W requires approx. 30 seconds to boot up and be ready to function.
- Remove lower switch cover and adjust initial control mode potentiometers.

LOWER COVER REMOVAL AND INSTALL

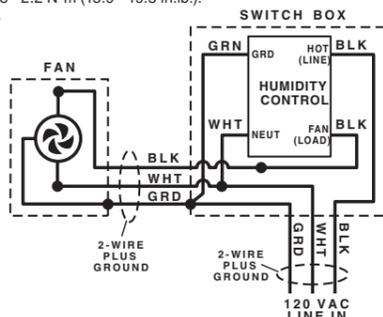


WIRE INSTALLATION & WIRING DIAGRAM



Wire terminals accept up to #12 AWG MAX solid and stranded wire.

- Remove combination Screw/Washer from terminal.
- Wrap stripped end of Wire around Screw thread - under Washer.
- Re-install Screw/Washer - making sure Wire remains under Washer. Tighten terminal screws to 1.8 - 2.2 N-m (15.9 - 19.5 in.lb.).
- Note: Screw/Washer are not designed for straight insertion of stripped wire. Use only wire formed into a "J" loop and wrapped around Screw thread for proper mechanical and electrical connection.



SAFETY

Before installing control, switch power off at service panel and lock the service disconnecting means to prevent power from being switched on accidentally. When the service disconnecting means cannot be locked, securely fasten a prominent warning device, such as a tag, to the service panel.

Installation work and electrical wiring must be done by a qualified person(s) in accordance with all applicable codes and standards.

- Use copper wire only.
- CAUTION: Risk of Electric Shock - More than one disconnect switch may be required to de-energize the equipment before servicing.
- WARNING: This device shall not be used in combination with a wall switch controlling a receptacle.
- Install only in a UL Listed junction box sized 50.8 x 76.2 x 76.2 mm (2.0 x 3.0 x 3.0 in.) or larger, minimum volume 295 CM³ (18.0 in³).
- Requires a neutral wire for operation.
- Note: When power is applied, the Model 82W requires approx. 30 seconds to boot up and be ready to function.

CONTROL MODE SETTINGS (POTENTIOMETER ADJUSTMENTS)

AUTO SENSE / RH% / CYCLE Potentiometer:

AUTO SENSE Mode:

The control has an automatic sensing mode (AUTO SENSE) that senses increasing changes in humidity level (i.e. Sense on Rise). Once the threshold is met, the bath fan will activate within 2 minutes with the device located within 8 feet from the humidity source (e.g. shower head or faucet). Fan activation may take longer if the Control is located further than 8 feet from the humidity source. The fan will remain ON based on the user adjustable TIME function (See TIME Potentiometer description).

TIME: User adjustable from 10-60 minutes per hour, in 10 minute increments
AUTO SENSE / RH% / CYCLE: AUTO SENSE
SENSITIVITY: Active; user adjustable from LO to HI

Control Function:
 SENSE ON RISE is ACTIVE
 SENSITIVITY is ACTIVE

CYCLE (Air Cycling) Mode:

The control provides a pre-set ventilation ON TIME for meeting continuous ventilation codes. After the initial ON time is set by manually turning the fan ON, the control will provide continuous activation cycles every hour. Also, Sense on Rise is active in the CYCLE mode, so if the control is in the "Fan OFF" portion of the cycle and it senses a rise in humidity it will bypass the remainder of the OFF cycle and start a new ON cycle with a time duration equal to the TIME potentiometer setting.

To calculate the applicable TIME potentiometer setting, use the following formula:
 TIME potentiometer setting = (required CFM¹ ÷ fan CFM) x 60

¹ from ASHRAE 62.2 formula/table (based on square footage and number of bedrooms)

TIME: User adjustable from 10-60 minutes per hour, in 10 minute increments
AUTO SENSE / RH% / CYCLE: CYCLE
SENSITIVITY: Active; user adjustable from LO to HI

Control Function:
 SENSE ON RISE is ACTIVE
 SENSITIVITY is ACTIVE

RH% (Humidistat) Mode:

The control has a RH% mode with a user adjustable threshold relative humidity level. The RH% setting can be adjusted from 20 to 80% RH in 10% RH increments. Once the threshold is met, or if SENSE ON RISE detects an increase in humidity, the connected fan should activate within 2 minutes with the device located within 8 feet from the humidity source (e.g. shower head or faucet). Fan activation may take longer if the Control is located further than 8 feet from the humidity source. The fan will remain ON based on the user adjustable TIME function.

TIME: User adjustable from 10-60 minutes per hour, in 10 minute increments
AUTO SENSE / RH% / CYCLE: RH%; user adjustable from 20-80% in 10% RH increments.
SENSITIVITY: Inactive

Control Function:
 SENSE ON RISE is ACTIVE
 SENSITIVITY is INACTIVE.

When room humidity reaches RH% potentiometer setting:

- Fan (and LED) will turn ON.
- When timer times out, Fan (and LED) will turn OFF until another event occurs, or is still occurring (i.e. ambient humidity is still at or above RH% setpoint, ambient humidity reaches the RH% setpoint again or Sense on Rise detects a rise in humidity level).

TIME Potentiometer:

The TIME potentiometer is used to set the fan run time every time the fan turns ON. It can be adjusted to run between 10 and 60 minutes, in 10 minute increments. In CYCLE mode the TIME selection is the portion of each hour that the fan will run, and the countdown begins when CYCLE mode is selected and the fan turns ON. In MANUAL mode the TIME countdown begins when the fan is turned ON using the ON/OFF switch. In AUTO SENSE and RH% modes the TIME countdown begins when the relative humidity stops rising.

SENSITIVITY Potentiometer:

The SENSITIVITY potentiometer is used to adjust the controls' sensitivity to ambient humidified air and to the size of the room. In a low humidity environment and/or large room, it may be necessary to adjust the SENSITIVITY potentiometer to a higher setting (MED to HI) to increase the control sensitivity for humidity detection. In a high humidity environment and/or small room, it may be necessary to adjust the SENSITIVITY potentiometer to a lower setting (LO to MED) to reduce the control sensitivity for humidity detection and to prevent undesired activations.

MANUAL OPERATION MODE



Note: Regardless of all other settings, the front panel blue LED will always be ON when fan is ON, and OFF when fan is OFF.

The control has a manual operation mode with the ability to turn the fan ON or OFF at the user's discretion. Press and release the lower control switch to turn the fan ON or OFF.

In addition to manually turning the fan OFF, the manual mode also utilizes the automatic OFF function with user adjustable fan ON time duration, as described previously in the TIME Potentiometer section. With this feature the user can manually turn the fan ON and not be concerned about manually turning the fan back OFF, because the TIME function will turn the fan OFF automatically.

The manual mode will override the AUTO SENSE / RH% / CYCLE modes whenever they are active. This mode setting will turn OFF all user adjustable set points, with the exception of the TIME setting, until the switch is manually turned OFF or the switch turns OFF automatically due to the TIME countdown, at which time the unit will return to the previous modes setting(s) following a 5-minute delay.

In other words, if the fan is turned ON manually, and then turned OFF manually (or due to the TIME countdown completing its cycle), and if the previous setting was RH%, then following a 5-minute delay the control will return to the RH% setting and turn the fan ON if the RH set point is reached, surpassed, or if the Control senses the appropriate rate of rise of humidity.

If the previous setting was AUTO, the control will turn the fan ON (after the 5-minute delay) if the control senses the appropriate rate of rise of humidity.

TIME: User adjustable from 10-60 minutes per hour, in 10 minute increments
AUTO SENSE / RH% / CYCLE: Inactive
SENSITIVITY: Inactive

Control Function:

Regardless of the MODE the unit is in, pressing the front panel switch overrides that mode to immediately turn the Fan ON if it was OFF, or OFF if it was ON.

Limited Warranty

Warranty Period and Exclusions: Broan-NuTone LLC (the "Company") warrants to the original consumer purchaser of its product ("you") that the product (the "Product") will be free from material defects in the Product or its workmanship for a period of five (5) years from the date of original purchase.

The limited warranty period for any replacement parts provided by the Company and for any Products repaired or replaced under this limited warranty shall be the remainder of the original warranty period.

This warranty does not cover repellent cartridges or repellent cartridge refills that may be purchased separately and installed with the Product. This warranty also does not cover (a) normal maintenance and service, (b) normal wear and tear, (c) any Products or parts which have been subject to misuse, abuse, abnormal usage, negligence, accident, improper or insufficient maintenance, storage or repair (other than repair by the Company), (d) damage caused by faulty installation, or installation or use contrary to recommendations or instructions, (e) damage caused by exposure to salt air (f) damage in transit, (g) natural wear of finish, (h) Products in commercial or nonresidential use, or (i) damage caused by fire, flood or other act of God. This warranty covers only Products sold to original consumers in the United States by the Company or U.S. distributors authorized by the Company.

This warranty supersedes all prior warranties and is not transferable from the original consumer purchaser.

No Other Warranties: This Limited Warranty contains the Company's sole obligation and your sole remedy for defective products. The foregoing warranties are exclusive and in lieu of any other warranties or implied. **THE COMPANY DISCLAIMS AND EXCLUDES ALL OTHER EXPRESS WARRANTIES, AND DISCLAIMS AND EXCLUDES ALL WARRANTIES IMPLIED BY LAW, INCLUDING WITHOUT LIMITATION THOSE OF MERCHANTABILITY AND FITNESS FOR A PARTICULAR PURPOSE.** To the extent that applicable law prohibits the exclusion of implied warranties, the duration of any applicable implied warranty is limited to the period specified for the express warranty above. Some states do not allow limitations on how long an implied warranty lasts, so the above limitation may not apply to you. Any oral or written description of the Product is for the sole purpose of identifying it and shall not be construed as an express warranty.

Whenever possible, each provision of this Limited Warranty shall be interpreted in such manner as to be effective and valid under applicable law, but if any provision is held to be prohibited or invalid, such provision shall be ineffective only to the extent of such prohibition or invalidity, without invalidating the remainder of such provision or the other remaining provisions of the Limited Warranty.

Remedy: During the applicable limited warranty period, the Company will, at its option, provide replacement parts for or repair or replace, without charge, any Product or part thereof, to the extent the Company finds it to be covered by and in breach of this limited warranty under normal use and service. The Company will ship the repaired or replaced Product or replacement parts to you at no charge. You are responsible for all costs for removal, reinstallation and shipping, insurance and other charges incurred in shipment of the Product or part to the Company. If you must send the Product or part to the Company, as instructed by the Company, you must properly pack the Product or part—the Company is not responsible for damage in transit. The Company reserves the right to utilize reconditioned, refurbished, repaired or remanufactured Products or parts in the warranty repair or replacement process. Such Products and parts will be comparable in function and performance to an original Product or part and warranted for the remainder of the original warranty period.

Exclusion of Damages: THE COMPANY'S OBLIGATION TO PROVIDE REPLACEMENT PARTS, OR REPAIR OR REPLACE, AT THE COMPANY'S OPTION, SHALL BE YOUR SOLE AND EXCLUSIVE REMEDY UNDER THIS LIMITED WARRANTY AND THE COMPANY'S SOLE AND EXCLUSIVE OBLIGATION. THE COMPANY SHALL NOT BE LIABLE FOR INCIDENTAL, INDIRECT, CONSEQUENTIAL OR SPECIAL DAMAGES ARISING OUT OF OR IN CONNECTION WITH THE PRODUCT, ITS USE OR PERFORMANCE.

Some states do not allow the exclusion or limitation of incidental or consequential damages, so the above limitation or exclusion may not apply to you. This warranty gives you specific legal rights, and you may also have other rights, which vary from state to state.

This warranty covers only replacement or repair of defective Products or parts thereof at the Company's main facility and does not include the cost of field service travel and living expenses.

Any assistance the Company provides to or procures for you outside the terms, limitations or exclusions of this limited warranty will not constitute a waiver of such terms, limitations or exclusions, nor will such assistance extend or revive the warranty.

The Company will not reimburse you for any expenses incurred by you in repairing or replacing any defective Product, except for those incurred with the Company's prior written permission.

How to Obtain Warranty Service: To qualify for warranty service, you must (a) notify the Company at the address or telephone number stated below within seven (7) days of discovering the covered defect, (b) give the model number and part identification and (c) describe the nature of any defect in the Product or part. At the time of requesting warranty service, you must present evidence of the original purchase date. If you cannot provide a copy of the original written limited warranty, then the terms of the Company's most current written limited warranty for your particular product will control. The most current limited written warranties for the Company's products can be found at www.broan.com.

Broan-NuTone LLC 926 West State Street, Hartford, WI 53027 www.broan.com 800-637-1453

Broan NuTone Modèle 82A, 82W, P82W, P82WC Super commande murale de détection d'humidité

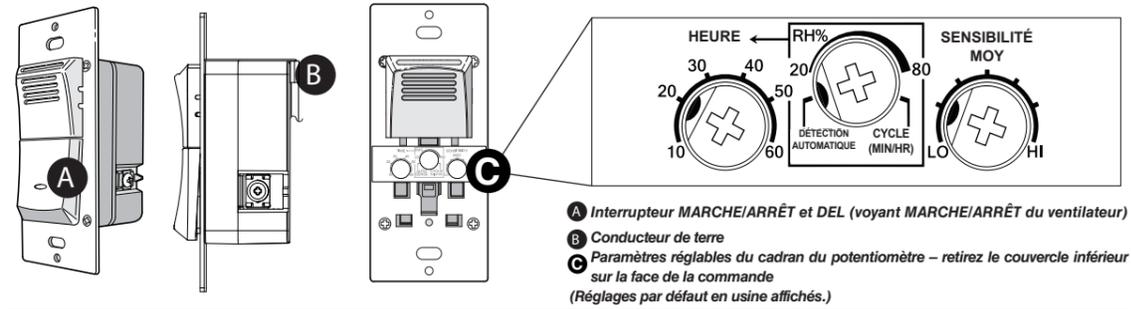
Instructions d'installation

INCLUS

- Interrupteur
- Fiche d'instructions
- Remarque : Plaque murale non incluse, utilisez la pièce Broan N°S97012925 (ou l'équivalent)

SPÉCIFICATIONS DE LA COMMANDE

- Homologuée cULUS
- Puissance de ligne 120 VCA 60 Hz
- 9A max. charge totale (ventilateur + ampoule)
- Lorsqu'il est utilisé conjointement avec un ventilateur/des luminaires branchés ensemble, cet appareil est conçu pour les lampes suivantes : une ampoule à incandescence de 600 W, DEL de 150 W, CFL de 150 W, des lampes fluorescentes à ballast inductif de 400 VA
- Calibre type des fils : fil de cuivre massif ou tressé 12AWG (max.) ou 14AWG
- Température de fonctionnement : 0-50°C (32-122°F)

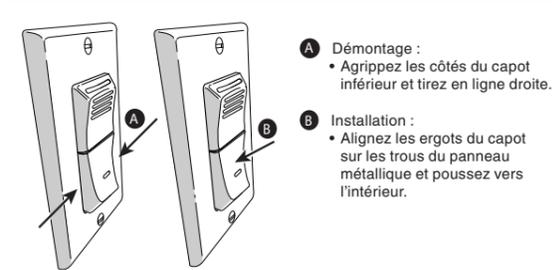


- Pour les applications de salles de bain, la commande doit être installée à un certain niveau pour détecter l'humidité. Il n'est pas recommandé d'installer la commande directement au-dessus d'un appareil de chauffage ou près d'un tirage.
- Dans les grands espaces, il est recommandé d'installer la super commande murale de détection d'humidité Broan-NuTone à proximité de la douche/de la baignoire/de l'évier (principale source d'humidité/de vapeur) afin de mesurer/détecter l'humidité de la manière la plus efficace possible.

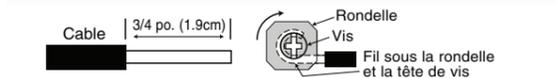
INSTALLATION

- Coupez l'alimentation (disjoncteur).
- Déposez le couvercle de l'interrupteur et l'interrupteur de la boîte murale.
- Déconnectez et étiquetez les fils de l'interrupteur.
- Connectez les fils noir (CHAUD), blanc (NEUTRE - requis) et noir ou rouge (CHARGE) à l'interrupteur de la commande murale de détection d'humidité.
- Installez la commande de détection d'humidité dans la boîte murale et fixez-les à l'aide des deux vis fournies.
- Installez la plaque murale (non fournie) sur la commande de détection d'humidité et fixez-les à l'aide des deux vis imperdables.
- Rétablissez le courant (au disjoncteur). Remarque : Lorsque le courant est rétabli, le Modèle 82W prend environ 30 secondes pour se réinitialiser et être prêt à fonctionner.
- Retirez le couvercle inférieur de l'interrupteur et effectuez les premiers réglages du mode de contrôle du potentiomètre.

RETRAIT ET INSTALLATION DU COUVERCLE INFÉRIEUR

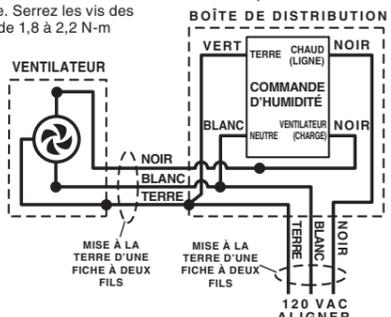


INSTALLATION DES FILS ET SCHÉMA DE CÂBLAGE



Les bornes de connexion acceptent des fils de cuivre massif ou tressé d'un calibre de 12 AWG au maximum.

- Enlevez l'ensemble de vis et rondelle de la borne.
- Enroulez le fil dénudé autour de la vis, sous la rondelle.
- Reposez l'ensemble de vis et rondelle, en vous assurant que le fil reste bien sous la rondelle. Serrez les vis des bornes à un couple de 1,8 à 2,2 N-m (15,9 à 19,5 po-lb.).
- Remarque : Les ensembles de vis et rondelle ne sont pas conçus pour insérer le fil dénudé en ligne droite. N'utilisez que des fils dont l'extrémité en forme de « J » est placée sur les filets des vis pour de bonnes connexions mécaniques et électriques.



SÉCURITÉ

Avant d'installer la commande, coupez l'alimentation électrique sur le panneau de service et verrouillez les dispositifs de sectionnement pour empêcher la remise sous tension accidentelle. Lorsque vous ne pouvez pas verrouiller les dispositifs de sectionnement, serrez à fond un dispositif d'avertissement bien visible, comme une étiquette sur le panneau de service.

Les travaux d'installation et le câblage électrique doivent être effectués par une personne qualifiée conformément aux codes et normes applicables.

- Utilisez uniquement du fil de cuivre.
- MISE EN GARDE : risque de choc électrique. Il peut s'avérer nécessaire d'utiliser plus d'un sectionneur pour mettre l'équipement hors tension avant d'effectuer les travaux d'entretien.
- AVERTISSEMENT : cet appareil ne doit pas être utilisé en association avec un interrupteur mural qui contrôle une prise.
- Installez uniquement une boîte de jonction homologuée UL aux dimensions suivantes 50,8 x 76,2 x 76,2 mm (2,0 x 3,0 x 3,0 po.) ou supérieures et d'un volume minimum de 295 CM³ (18,0 po³).
- Nécessite un câble neutre pour l'opération.
- Remarque : Lorsque le courant est rétabli, le Modèle 82W prend environ 30 secondes pour se réinitialiser et être prêt à fonctionner.

RÉGLAGES DU MODE DE CONTRÔLE (RÉGLAGES DU POTENTIOMÈTRE)

POTENTIOMÈTRE DE DÉTECTION AUTOMATIQUE/RH%/DE CYCLE :

Mode DÉTECTION AUTOMATIQUE :

La commande dispose d'un mode de détection automatique (DÉTECTION AUTOMATIQUE) qui détecte les changements croissants du niveau d'humidité (c-à-d. détection en cas d'augmentation). Une fois le seuil atteint, le ventilateur de bain s'active dans un délai de 2 minutes, si la commande est située à 8 pieds de la source d'humidité (p.ex. pomme ou robinet de douche). L'activation du ventilateur peut durer plus longtemps si la commande est située à plus de 8 pieds de la source d'humidité. Le ventilateur reste ALLUMÉ en fonction de la TEMPORISATION réglée par l'utilisateur (voir description du potentiomètre de TEMPORISATION).

TEMPORISATION : Réglable entre 10 et 60 minutes par heure, par incréments de 10 minutes
DÉTECTION AUTOMATIQUE/ RH%/CYCLE : DÉTECTION AUTOMATIQUE
SENSIBILITÉ : Activée ; réglable entre les paramètres BAS et HAUT

Fonction de la commande :
 DÉTECTION EN CAS D'AUGMENTATION EST ACTIVÉE
 SENSIBILITÉ EST ACTIVÉE

Mode CYCLE (circulation de l'air) :

Pour répondre aux codes de ventilation continue, la commande fournit une DURÉE de fonctionnement pré-réglée de la ventilation. Après le réglage initial de la durée de fonctionnement qui s'effectue manuellement en mettant le ventilateur en marche, la commande fournit des cycles d'activation continus toutes les heures. En outre, la détection en cas d'augmentation est activée en mode CYCLE; par conséquent, si la commande se trouve dans la partie « VENTILATEUR À L'ARRÊT » du cycle et elle détecte une augmentation de l'humidité, la commande va ignorer le restant du cycle ARRÊT et démarrer un nouveau cycle MARCHE avec une durée égale au réglage du potentiomètre de temporisation.

Pour calculer la DURÉE applicable du potentiomètre de temporisation, utilisez la formule suivante : DURÉE réglée sur le potentiomètre = (PCM¹ requis ÷ PCM ventilateur) x 60

¹ D'après la formule/table 62.2 de l'ASHRAE (selon la superficie en pieds carrés et le nombre de chambres)

TEMPORISATION : Réglable entre 10 et 60 minutes par heure, par incréments de 10 minutes
DÉTECTION AUTOMATIQUE/ RH%/CYCLE : CYCLE
SENSIBILITÉ : Activée; réglable entre les paramètres BAS et HAUT

Fonction de la commande :
 DÉTECTION EN CAS D'AUGMENTATION EST ACTIVÉE
 SENSIBILITÉ EST ACTIVÉE

Mode RH% (humidistat) :

La commande dispose d'un mode RH% et d'un seuil réglable du niveau d'humidité relative. Il est possible de régler le paramètre RH% entre 20 et 80 % RH en incréments de 10 % d'humidité relative. Une fois le seuil atteint ou si la DÉTECTION EN CAS D'AUGMENTATION détecte une augmentation de l'humidité, le ventilateur raccourci s'active dans un délai de 2 minutes si la commande est située à 8 pieds de la source d'humidité (p. ex. pomme ou robinet de douche). L'activation du ventilateur peut durer plus longtemps si la commande est située à plus de 8 pieds de la source d'humidité. Le ventilateur reste allumé en fonction de la TEMPORISATION réglée par l'utilisateur.

TEMPORISATION : Réglable entre 10 et 60 minutes par heure, par incréments de 10 minutes
DÉTECTION AUTOMATIQUE/ RH%/CYCLE : RH%; réglable entre 20-80 % en incréments de 10 % d'humidité relative.
SENSIBILITÉ : Désactivée

Fonction de la commande :
 DÉTECTION EN CAS D'AUGMENTATION EST ACTIVÉE
 La SENSIBILITÉ est DÉSACTIVÉE.

- Lorsque l'humidité ambiante atteint le paramètre RH% du potentiomètre :
- Le ventilateur (et le voyant DEL) sont allumés
 - Lorsque le temporisateur expire, le ventilateur (et le voyant DEL) s'éteignent jusqu'à la prochaine occurrence (c.à.d. si l'humidité ambiante est toujours égale ou supérieure au point de consigne RH%, l'humidité ambiante atteint à nouveau le point de consigne RH% ou si Détection en cas d'augmentation capte une élévation du niveau d'humidité)

Potentiomètre de TEMPORISATION :

Le potentiomètre de TEMPORISATION permet de régler la durée de fonctionnement du ventilateur chaque fois qu'il est mis en MARCHÉ. L'utilisateur peut régler la durée de fonctionnement de 10 à 60 minutes, par incréments de10 minutes. En mode CYCLE, la sélection de la durée de TEMPORISATION est la partie de chaque heure durant laquelle le ventilateur est en marche, et le décompte commence dès la sélection du mode CYCLE et la mise en MARCHÉ du ventilateur. En mode MANUEL, le décompte de la TEMPORISATION commence lorsque le ventilateur est mis en MARCHÉ au moyen de l'interrupteur MARCHÉ/ARRÊT. En mode DÉTECTION AUTOMATIQUE et mode RH%, le décompte de la TEMPORISATION commence lorsque l'humidité relative arête d'augmenter.

Potentiomètre de SENSIBILITÉ :

Le potentiomètre de SENSIBILITÉ permet de régler la sensibilité de la commande à l'air ambiant humidifié et par rapport aux dimensions de la pièce. Dans un environnement à faible humidité et/ou dans une grande pièce, il peut s'avérer nécessaire de régler le potentiomètre de SENSIBILITÉ sur un paramètre plus élevé (entre MOY et HAUT) pour augmenter la sensibilité de la commande à la détection de l'humidité. Dans un environnement à forte humidité et/ou dans une petite pièce, il peut s'avérer nécessaire de régler le potentiomètre de SENSIBILITÉ sur un paramètre inférieur (entre BAS et MOY) pour réduire la sensibilité de la commande à la détection de l'humidité et pour éviter des activations accidentelles.

MODO DE FONCTIONNEMENT MANUELLE

<i>Remarque : En dépit de tous les autres paramètres, le DEL bleu du panneau avant reste toujours allumé lorsque le ventilateur est en marche et il est éteint lorsque le ventilateur est à l'arrêt.</i>
La commande possède un mode de fonctionnement manuel ayant la capacité de mettre le ventilateur en MARCHÉ ou à ARRÊT à la discrétion de l'utilisateur. Appuyez et relâchez l'interrupteur inférieur de la commande pour ALLUMER ou ÉTEINDRE le ventilateur.

Outre l'arrêt manuel du ventilateur, le mode manuel utilise également la fonction ARRÊT automatique et la durée de fonctionnement réglable du ventilateur, tel que décrit précédemment dans la section Potentiomètre de TEMPORISATION. Grâce à cette fonction, l'utilisateur peut mettre le ventilateur en marche manuellement et ne pas se préoccuper de l'arrêt manuel du ventilateur, vu que la fonction TEMPORISATION arrête automatiquement le ventilateur.

Le mode manuel remplace les modes DÉTECTION AUTOMATIQUE/RH%/CYCLE lorsqu'ils sont actifs. Excepté le paramètre **TEMPORISATION**, ce mode arrête tous les autres points de consigne réglables par l'utilisateur, jusqu'à l'arrêt manuel ou automatique de l'interrupteur pour cause de compte à rebours. À ce moment, l'appareil retourne aux réglages des modes précédents après un délai de 5 minutes.

Autrement dit, si le ventilateur est allumé puis éteint manuellement, (ou à cause de la fin de son cycle de TEMPORISATION) et si le paramètre précédent était **RH%**, puis après un délai de 5 minutes, la commande retourne au paramètre **RH%** et met le ventilateur en marche si le point de consigne **RH** est atteint, dépassé ou si la commande détecte le taux d'augmentation approprié de l'humidité.

Si le paramètre précédent était **AUTOMATIQUE**, la commande met le ventilateur en marche (après le délai de 5 minutes) si la commande détecte le taux d'augmentation approprié de l'humidité.

TEMPORISATION : Réglable entre 10 et 60 minutes par heure, par incrément de 10 minutes.
DÉTECTION AUTOMATIQUE/RH%/CYCLE : Désactivée

SENSIBILITÉ : Désactivée

Fonction de la commande :

En dépit du mode dans lequel se trouve l'appareil, si vous appuyez sur l'interrupteur du panneau avant, vous annulez ce mode pour mettre immédiatement le ventilateur en marche s'il est à l'arrêt ou à l'arrêt s'il est en marche.

Garantie limitée
Période de garantie et exclusions : Broan-NuTone LLC (la "Société ") garantit au consommateur acheteur initial (= vous =) de son produit (le "Produit ") que celui-ci est exempt de tout vice de matériau ou de fabrication pour une période de cinq (5) ans à compter de la date d'achat originale.

La période de la garantie limitée sur toute pièce de remplacement fournie par la Société et sur tout produit réparé ou remplacé en vertu de la présente garantie limitée correspond au reste de la période de garantie originale.

La présente garantie ne s'applique pas aux cartouches imperméables ou aux cartouches imperméables de rechange qui peuvent être achetées séparément et installées avec le produit. La présente garantie ne couvre pas (a) les travaux d'entretien et de service normal, (b) l'usage normal, (c) tout produit ou toute pièce ayant fait l'objet d'une mauvaise utilisation, d'un abus, d'un usage anormal, d'une négligence, d'un accident, d'un entretien, rangement ou réparation inadéquats ou insuffisants (autre que par la Société), (d) les dommages dus à une mauvaise installation, ou à une installation ou utilisation contraires aux recommandations ou instructions, (e) les dommages dus à l'exposition à une atmosphère saline ou au transport, (f) l'usage naturel du feu, (g) les produits utilisés à des fins commerciales ou non-résidentielles ou (i) les dommages dus à un incendie, à une inondation ou à un événement fortuit. La présente garantie ne couvre que les produits vendus au consommateur initial aux États-Unis par la Société ou par les distributeurs américains autorisés par la Société.

La présente garantie remplace toute garantie précédente et le consommateur et acheteur initial ne peut la céder à quiconque.

Aucune autre garantie : La présente garantie limitée stipule les seules obligations de la Société et votre seul recours en cas de produit défectueux. La garantie ci-dessus est exclusive et remplace toute autre garantie expresse ou tacite. **LA SOCIÉTÉ EXCLUT TOUTE AUTRE GARANTIE EXPRESSE ET TOUTE GARANTIE DÉCOULANT IMPLICITEMENT DE LA LOI, Y COMPRIS, SANS SY LIMITER, LES GARANTIES DE VALEUR MARCHANDE ET D'ADEQUATION À UN USAGE PARTICULIER.** Dans la mesure où la loi en vigueur interdit l'exclusion des garanties tacites, la durée de toute garantie tacite est limitée à la période stipulée ci-dessus pour la garantie expresse. Certaines juridictions interdisent de limiter la durée d'une garantie tacite, la limitation ci-dessus peut ne pas s'appliquer à votre situation. Toute description verbale ou écrite du produit a pour seule fin de l'identifier et ne doit pas être interprétée comme une garantie expresse.

Si possible, chaque disposition de cette garantie limitée doit être interprétée de sorte à être en vigueur et valide en vertu des lois applicables, mais si une disposition s'avère interdire ou invalide, elle se sera seulement dans la mesure de cette interdiction ou invalidité, sans invalider le reste de cette disposition ni les autres dispositions de la présente garantie limitée.

Recours : Pendant la période de garantie limitée applicable, la Société pourra, à son choix, fournir des pièces de rechange ou réparer ou remplacer, sans frais, tout produit ou toute pièce, dans la mesure où la Société constate qu'il est couvert et convient à la présente garantie limitée dans des conditions normales d'utilisation et de service. La Société vous enverra gratuitement le produit réparé ou remplacé ou les pièces de rechange. Vous êtes responsable des frais de démontage, de remontage, d'expédition, d'assurance ou de tous autres frais de transport pour l'envoi du produit ou de la pièce à la Société. Si vous devez envoyer le produit ou la pièce à la Société, tel que la Société vous l'indiquera, vous devez l'emballer correctement. La Société n'est pas responsable des dommages subis lors du transport. La Société se réserve le droit d'utiliser des produits ou des pièces remis en état, remis à neuf, réparés ou réusés dans le processus de réparation ou de remplacement sous garantie. Lesdits produits ou pièces seront comparables en fonction et en performance aux produits et pièces d'origine et seront garantis pendant le reste de la période de garantie originale.

Exclusion de dommages : L'OBLIGATION DE LA SOCIÉTÉ DE FOURNIR DES PIÈCES DE RECHANGE, OU DE RÉPARER OU REMPLACER LE PRODUIT, À SON CHOIX, CONSTITUE VOTRE SEUL ET UNIQUE RECOURS EN VERTU DE LA PRÉSENTE GARANTIE LIMITÉE ET LA SEULE ET UNIQUE OBLIGATION DE LA SOCIÉTÉ. LA SOCIÉTÉ NE PEUT ÊTRE TENUE RESPONSABLE DE TOUT DOMMAGE INDIRECT, CONSÉQUENT, ACCESSOIRE OU SPECIAL DÉCOULANT DE L'UTILISATION OU DU RENDEMENT DU PRODUIT.

Certains territoires ou provinces ne permettant pas la limitation ou l'exclusion des dommages indirects ou consécutifs, la limitation ci-dessus peut ne pas s'appliquer à votre situation. La présente garantie vous confère des droits spécifiques reconnus par la loi. D'autres droits pourraient également vous être accordés selon la législation locale en vigueur.

La présente garantie ne couvre que le remplacement ou la réparation des produits ou pièces défectueux à l'usine principale de la Société et ne comprend pas les frais de voyage ni les dépenses quotidiennes pour une réparation à domicile.

Toute aide que la Société vous fournit en dehors des dispositions, limitations ou exclusions de cette garantie limitée ne constituera en rien une renonciation auxdites dispositions, limitations ou exclusions, et ne prolongera aucunement cette garantie pas plus qu'elle ne la remettra en vigueur.

La Société ne vous remboursera aucune dépense encourue par vous pour la réparation ou le remplacement de tout produit défectueux, sauf celles que vous avez encourues avec la permission écrite préalable de la Société.

Comment bénéficier du service de garantie : Pour vous prévaloir de cette garantie, vous devez (a) aviser la Société à l'adresse ou au numéro de téléphone indiqués ci-dessous dans les sept (7) jours du constat de la défectuosité couverte, (b) donner le numéro de modèle du produit et le numéro d'identification de la pièce et (c) décrire la nature de la défectuosité du produit ou de la pièce. Lors de votre demande de garantie, vous devez présenter une preuve de la date d'achat originale. Si vous ne pouvez pas fournir une copie de la garantie limitée écrite originale, les dispositions de la garantie limitée écrite la plus récente de la Société concernant ce produit particulier s'appliqueront. Vous trouverez les garanties limitées écrites les plus récentes des produits de la Société sur le site www.broan.ca.

Broan-NuTone Canada, Inc. 1140 Tristram Drive, Mississauga, Ontario L5T 1H9 www.broan.ca 800-637-1453

Broan Modelo 82A, 82W, P82W, P82WC NuTone Control de Pared Detector de Humedad Premium

Instrucciones de instalación

INCLUIDO

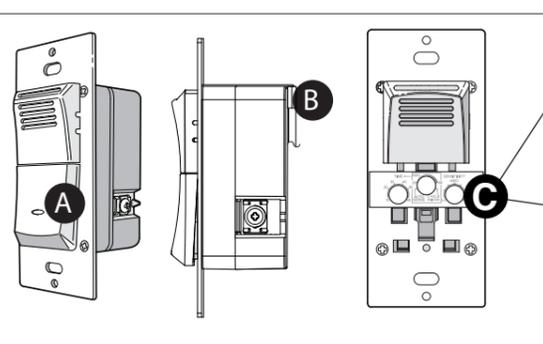
Interruptor

Hoja de instrucciones

Nota: Placa de pared no incluida. Use el Número de pieza Broan S97012925 (o equivalente)

ESPECIFICACIONES DEL CONTROL

- Registrado UL
- Línea de alimentación 120 V CA 60 Hz
- Carga eléctrica de 9A max. (ventilador + lámpara)
- Cuando se use en combinación con accesorios de ventilador/lámpara que son conmutados juntos, el dispositivo está clasificado para los siguientes lámparas: Lámparas incandescentes de 600W, LED 150W, CFL 150W, Lámparas fluorescentes inductivas con balasta 400VA
- Tamaños típicos de cable: Cable de 12 AWG (MÁX) o 14 AWG de cobre sólido o trenzado
- Temperatura operativa: 0 a 50°C (32 a 122°F)



1. Para aplicaciones en baños, el Control debe colocarse a un nivel que detecte la humedad. No se recomienda colocar el Control directamente arriba de un calefactor o cerca de corrientes de aire.

2. En espacios grandes, se recomienda colocar el Control de pared detector de humedad premium Broan NuTone en la proximidad cercana de la regadera/tina/lavabo (fuente principal de humedad/vapor) para medir o detectar más eficazmente el exceso de humedad.

INSTALACIÓN

- Apague el dispositivo (interruptor de circuito).
- Quite la tapa e interruptor existentes de la pared.
- Desconecte y etiquete los cables del interruptor.
- Conecte el cable negro (CALIENTE), el blanco (neutro - necesario) y el negro o rojo (carga) al Interruptor de pared para control de humedad.
- Instale el Control de humedad en la caja de la pared y asegure con los dos tornillos suministrados.
- Instale la placa de pared (no suministrada) en el Control de humedad, y asegure con los dos tornillos cauticos.
- Encienda el dispositivo (interruptor de circuito). Nota: Cuando se aplica energía, el Modelo 82W requiere aprox. 30 segundos en arrancar y estar listo para funcionar.
- Quite la tapa inferior del interruptor y ajuste los potenciometros a modo de control inicial.

REMOCIÓN E INSTALACIÓN DE LA TAPA INFERIOR

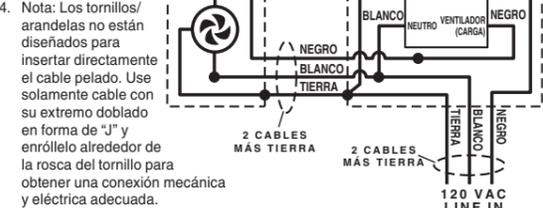
A Remoción: <ul style="list-style-type: none">Agarre la tapa inferior por los lados y jále directamente hacia afuera.
B Instalación: <ul style="list-style-type: none">Alinee las orejas en la tapa con los agujeros en el panel metálico y empuje directamente hacia adentro.

INSTALACIÓN DE CABLES Y DIAGRAMA DE CABLEADO

Cable 3/4 pulg. (1.9cm)
Arandela Tornillo
Cable debajo de la cabeza del tornillo y de la arandela

Los terminales de los cables aceptan cables de hasta #12 AWG MÁX sólidos y trenzados.

- Retire la combinación de tornillo/arandela del terminal.
- Enrolle el extremo pelado del cable alrededor de la rosca del tornillo - debajo de la arandela.
- Vuelva a instalar el tornillo/arandela - asegurándose de que el cable permanezca debajo de la arandela. Apriete los terminales a 1.8 - 2.2 N-m (15.9 - 19.5 in lb).
- Nota: Los tornillos/arandelas no están diseñados para insertar directamente el cable pelado. Use solamente cable con su extremo doblado en forma de "U" y enróllelo alrededor de la rosca del tornillo para obtener una conexión mecánica y eléctrica adecuada.



SEGURIDAD

Antes de instalar el control, corte la alimentación en el panel de servicio y bloquee los medios de desconexión de energía para prevenir que la alimentación sea activada accidentalmente. Cuando los medios de desconexión de energía no se puedan bloquear, asegure firmemente un dispositivo de advertencia visible, tal como una etiqueta, al panel de servicio.

El trabajo de instalación y de cableado eléctrico debe ser realizado por un técnico calificado, de conformidad con todos los códigos y normas aplicables.

- Use cable de cobre únicamente.
- PRECAUCIÓN:** riesgo de choque eléctrico. Puede ser que requiera más de un interruptor de desconexión para desenergizar el equipo antes de realizar tareas de servicio.
- ADVERTENCIA:** este dispositivo no debe ser usado en combinación con un interruptor de pared que controle un receptáculo.
- Instale únicamente en una caja de conexión registrada por UL con tamaño de 50.8 x 76.2 x 76.2 mm (2.0 x 3.0 x 3.0 pulg.) o más grande, con un volumen mínimo de 295 CM³ (18.0 pulg³).
- Requiere un cable de neutro para la operación.
- Nota: Cuando se aplica energía, el Modelo 82W requiere aprox. 30 segundos en arrancar y estar listo para funcionar.

Interruptor y LED de encender/apagar (indicador de encendido/apagado del ventilador)
Cable de conexión a tierra
Ajustes del indicador ajustable del potenciómetro - Quite la tapa inferior en la cara del control (Se muestra el ajuste predeterminado de fábrica).

AJUSTES DEL MODO DE CONTROL (AJUSTES DE POTENCIÓMETRO)

Potenciómetro AUTO SENSE / RH% / CYCLE (detección automática / % humedad relativa / ciclo):

- Modo AUTO SENSE (detección automática):**

El control tiene un modo de detección automática (**AUTO SENSE**) el cual detecta los cambios de aumento en el nivel de humedad (p. ej., detectar al aumentar). Una vez que se alcanza el umbral, el ventilador de baño se activará en 2 minutos con el dispositivo ubicado dentro de una distancia de 8 pies de la fuente de humedad (p. ej., la llave o cabeza de regadera). La activación del ventilador puede tomar más tiempo si el Control está ubicado a una distancia mayor que 8 pies de la fuente de humedad. El ventilador permanecerá encendido basado en la función de **TIME** (tiempo) ajustada por el usuario (ver descripción del potenciómetro TIME (tiempo)).

TIME (tiempo): ajustado por el usuario de 10 a 60 minutos por hora, en incrementos de 10 minutos
AUTO SENSE / RH% / CYCLE (detección automática / % humedad relativa / ciclo): AUTO SENSE (detección automática)
SENSITIVITY (sensibilidad): Activa; ajustada por el usuario de LO (baja) a HI (alta)

Función del control: SENSE ON RISE (detectar al aumentar) está ACTIVA
SENSITIVITY (sensibilidad) está ACTIVA

- Modo CYCLE (ciclo de aire):**

El control proporciona un TIME (tiempo) de encendido de ventilación pre ajustado para cumplir con los códigos de ventilación continua. Después de que el tiempo de encendido inicial se ajusta manualmente al encender el ventilador, el control proporcionará ciclos de activación continuos cada hora. Asimismo, la función Sense on Rise (detectar al aumentar) está activa en modo CYCLE (ciclo), de tal manera que si el control está en la porción de "Fan OFF" (ventilador apagado) del ciclo y detecta un aumento en la humedad, omitirá el recordatorio del ciclo de apagado e iniciará un nuevo ciclo de encendido con una duración de tiempo igual al ajuste del potenciómetro TIME (de tiempo).

Para calcular el ajuste del potenciómetro TIME (de tiempo) que corresponde, use esta fórmula: ajuste del potenciómetro TIME = (CFM¹ requerido ÷ CFM del ventilador) x 60 ^{1 de la fórmula/tabla de ASHRAE 62.2 (con base en los pies cuadrados y el número de habitaciones)}

TIME (tiempo): ajustado por el usuario de 10 a 60 minutos por hora, en incrementos de 10 minutos
AUTO SENSE / RH% / CYCLE (detección automática / % humedad relativa / ciclo): CYCLE (ciclo)
SENSITIVITY (sensibilidad): Activa; ajustada por el usuario de LO (baja) a HI (alta)

Función del control: SENSE ON RISE (detectar al aumentar) está ACTIVA
SENSITIVITY (sensibilidad) está ACTIVA

- Modo RH% (humidistato):**

El control tiene un modo de **RH%** (% de humedad relativa) con un nivel de humedad relativa de umbral ajustado por el usuario. El ajuste de RH% se puede ajustar de 20 a 80 % de humedad relativa en el 10% de HR incrementos. Una vez que se alcanza el umbral, o si SENSE ON RISE (detectar al aumentar) detecta un aumento en la humedad, el ventilador conectado se debe activar dentro de 2 minutos con el dispositivo ubicado dentro de una distancia de 8 pies de la fuente de humedad (p. ej., la llave o cabeza de regadera). La activación del ventilador puede tomar más tiempo si el Control está ubicado a una distancia mayor que 8 pies de la fuente de humedad. El ventilador permanecerá encendido basado en la función de **TIME** (tiempo) ajustado por el usuario.

TIME (tiempo): ajustado por el usuario de 10 a 60 minutos por hora, en incrementos de 10 minutos
AUTO SENSE / RH% / CYCLE (detección automática / % humedad relativa / ciclo): RH%; ajustado por el usuario de 20 a 80% en el 10% de HR incrementos.
SENSITIVITY (sensibilidad): Inactiva

Función del control: SENSE ON RISE (detectar al aumentar) está ACTIVA
SENSITIVITY (sensibilidad) está INACTIVA
Cuando la humedad ambiente alcanza el ajuste del potenciómetro de **RH%**:
- El ventilador (y el LED) se encenderá
- Cuando el temporizador caduca, el ventilador (y el LED) se apagará hasta que ocurra otro evento, o si sigue ocurriendo (p. ej., la humedad del ambiente sigue en o por arriba del valor de ajuste de RH% (% humedad relativa), la humedad del ambiente alcanza el valor de ajuste de RH% nuevamente o si la función Sense on Rise (detectar al aumentar) detecta un aumento en el nivel de humedad).

Potenciómetro TIME (de tiempo):

El potenciómetro TIME (de tiempo) se usa para configurar al ventilador que funcione cada vez que se enciende el ventilador. Puede ajustarse para que funcione entre 10 y 60 minutos, en incrementos de 10 minutos. En modo CYCLE (Ciclo), la selección TIME (Tiempo) es la parte de cada hora que funcionará el ventilador, y el conteo regresivo comienza cuando se selecciona el modo CYCLE y se enciende el ventilador. En modo MANUAL, el conteo regresivo comienza cuando se enciende el ventilador con el interruptor de encendido/apagado. En los modos AUTO SENSE y RH%, (Detección automática y % de humedad relativa) el conteo regresivo comienza cuando la humedad relativa deja de subir.

Potenciómetro SENSITIVITY (de sensibilidad):

El potenciómetro SENSITIVITY (de sensibilidad) se usa para ajustar la sensibilidad del control al aire húmedo del ambiente y conforme al tamaño de la habitación. En un ambiente de baja humedad y/o en una habitación grande, puede ser necesario ajustar el potenciómetro SENSITIVITY (de sensibilidad) a un ajuste más alto, MED (medio) a HI (alto), para aumentar la sensibilidad del control para la detección de humedad. En un ambiente de alta humedad y/o en una habitación pequeña, puede ser necesario ajustar el potenciómetro SENSITIVITY (de sensibilidad) a un ajuste más bajo, LO (bajo) a MED (medio), para reducir la sensibilidad del control para la detección de humedad y para prevenir activaciones no deseadas.

MODO DE FUNCIONAMIENTO MANUAL

Nota: Independientemente de todos los demás ajustes, el LED azul del panel frontal siempre estará encendido cuando el ventilador esté encendido, y se apagará cuando el ventilador esté apagado.

El control tiene un modo de operación manual con capacidad para encender o apagar el ventilador a discreción del usuario. Presione y suelte el interruptor inferior del control para encender o apagar el ventilador. Adicionalmente a apagar manualmente el ventilador, el modo manual también utiliza la función de apagado automático con la duración de tiempo de encendido del ventilador ajustada por el usuario, como se describe anteriormente en la sección Potenciómetro TIME (de tiempo). Con esta función, el usuario puede encender manualmente el ventilador y no preocuparse por apagar manualmente el ventilador, ya que la función TIME apagará el ventilador automáticamente.

El modo manual substituirá el mando de los modos AUTO SENSE / RH% / CYCLE (detección automática / % humedad relativa / ciclo) cuando esté activo. Este ajuste de modo apagará todos los valores de ajuste del usuario, con excepción del ajuste de **TIME** (tiempo), hasta que el interruptor sea apagado manualmente o cuando el interruptor se apague automáticamente debido a la cuenta regresiva de TIME (tiempo), tiempo en el cual la unidad regresará a los ajustes de los modos anteriores después de un retardo de 5 minutos.

En otras palabras, si el ventilador se enciende manualmente y luego se apaga manualmete (o debido a que la cuenta regresiva de TIME completa su ciclo), y si el ajuste anterior fue de **RH%**, entonces después de un retardo de 5 minutos el control regresará al ajuste de **RH%** y encenderá el ventilador si el valor de ajuste de **RH** es alcanzado, superado o si el Control detecta la relación de aumento apropiada de humedad.

Si el ajuste anterior fue **AUTO**, el control encenderá el ventilador (después de un retardo de 5 minutos) si el control detecta una relación de aumento apropiada de humedad.

TIME (tiempo): ajustado por el usuario de 10 a 60 minutos por hora, en incrementos de 10 minutos
AUTO SENSE / RH% / CYCLE (detección automática / % humedad relativa / ciclo): Inactiva
SENSITIVITY (sensibilidad): Inactiva

Función del control:

Independientemente del MODO en que esté la unidad, al presionar el interruptor del panel frontal substituye el mando de ese modo para encender inmediatamente el ventilador si estaba apagado, o para apagarlo si estaba encendido.

Garantía limitada
Periodo y exclusiones de la garantía: Broan-NuTone LLC (la "Compañía") garantiza al consumidor comprador original de su producto ("usted") que el producto (el "Producto") no tendrá defectos en materiales o en mano de obra, por un periodo de cinco (5) años a partir de la fecha de compra original.

El periodo de garantía limitada para cualquier pieza de repuesto proporcionada por la Compañía y para cualquier Producto reparado o reemplazado conforme a esta garantía limitada, debe ser lo que reste del periodo de garantía original.

Esta garantía no cubre cartuchos de repelente ni repuestos de cartucho de repelente que se puedan comprar por separado para instalarlos en el producto. Esta garantía tampoco cubre (a) mantenimiento y servicio normal, (b) desgaste y deterioro normal, (c) Productos o piezas que hayan sido sometidos a mal uso, abuso, uso anormal, negligencia, accidente, mantenimiento, almacenamiento o reparaciones inadecuadas o insuficientes (excepto las reparaciones por parte de la Compañía), (d) daños causados por instalación deficiente, o por instalación o uso contrario a las recomendaciones o instrucciones, (e) daños causados por exposición a ambientes salinos, (f) daños durante el transporte, (g) desgaste natural del acabado, (h) Productos en uso comercial o no residencial, o (i) daños causados por incendio, inundación u otras causas de fuerza mayor. Esta garantía cubre únicamente los Productos vendidos por la Compañía a usuarios originales o distribuidores autorizados en los Estados Unidos.

Esta garantía sustituye todas las garantías anteriores y no es transferible del comprador consumidor original.

No hay otras garantías: Esta Garantía limitada contiene la única obligación de la Compañía y su única reparación para el producto ("usted") que el producto (el "Producto") no tendrá defectos en materiales o en mano de obra, por un periodo de cinco (5) años a partir de la fecha de compra original. Esta garantía no cubre (a) mantenimiento y servicio normal, (b) desgaste y deterioro normal, (c) Productos o piezas que hayan sido sometidos a mal uso, abuso, uso anormal, negligencia, accidente, mantenimiento, almacenamiento o reparaciones inadecuadas o insuficientes (excepto las reparaciones por parte de la Compañía), (d) daños causados por instalación deficiente, o por instalación o uso contrario a las recomendaciones o instrucciones, (e) daños causados por exposición a ambientes salinos, (f) daños durante el transporte, (g) desgaste natural del acabado, (h) Productos en uso comercial o no residencial, o (i) daños causados por incendio, inundación u otras causas de fuerza mayor. Esta garantía cubre únicamente los Productos vendidos por la Compañía a usuarios originales o distribuidores autorizados en los Estados Unidos.

Siempre que sea posible, toda disposición de esta Garantía limitada deberá ser interpretada de tal manera que sea aplicable y válida de conformidad con la ley correspondiente, pero en caso de que alguna disposición sea considerada inaplicable o no válida, dicha disposición no será aplicable únicamente hasta el alcance de dicha prohibición o invalidez, sin invalidar el resto de dicha disposición ni las demás disposiciones de la Garantía limitada.

Reparación: Durante el periodo de garantía limitada aplicable, la Compañía, a su opción, proporcionará piezas de repuesto, o reparará o reemplazará, sin cargo alguno, cualquier Producto o pieza del mismo, hasta donde la Compañía determine que está cubierto bajo esta garantía limitada y en violación de la misma bajo condiciones de uso y servicio normales. La Compañía le enviará el Producto o las piezas de repuesto reparadas o reemplazadas sin cargo. Usted es responsable de todos los costos de remoción, reinstalación y envío, seguro u otros cargos de flete incurridos en el envío del Producto o pieza a la Compañía. Si debe enviar el Producto o la pieza a la Compañía, tal como lo indique la Compañía, debe empaquetar adecuadamente el Producto o la pieza: la Compañía no se hace responsable por los daños durante el transporte. La Compañía se reserva el derecho de utilizar Productos o piezas reacondicionados, reconstruidos, reparados o refabricados en el proceso de reemplazo o reparación de garantía. Dichos Productos y piezas serán comparables en función y rendimiento con un Producto o una pieza original y tendrán garantía durante el resto del periodo de la garantía original.

Exclusión de daños: LA OBLIGACIÓN DE LA COMPAÑÍA DE SUMINISTRAR PIEZAS DE REPUESTO, O DE REPARAR O REEMPLAZAR, A OPCIÓN DE LA COMPAÑÍA, SERÁ SU ÚNICA Y EXCLUSIVA REPARACIÓN DE CONFORMIDAD CON ESTA GARANTÍA LIMITADA, Y LA ÚNICA Y EXCLUSIVA OBLIGACIÓN DE LA COMPAÑÍA. LA COMPAÑÍA NO SERÁ RESPONSABLE POR DAÑOS INDIRECTOS, ACCESORIOS O PEJUICIOS OCASIONADOS POR O EN RELACIÓN CON EL PRODUCTO, SU USO O RENDIMIENTO.

Algunos estados no permiten la exclusión o limitación de daños y perjuicios, por lo que la limitación o exclusión antes mencionada podrá no aplicar a usted. Esta garantía le otorga derechos legales específicos, y usted podrá tener otros derechos que varían de un estado a otro.

Esta garantía cubre únicamente el reemplazo o la reparación de Productos o piezas defectuosas en las instalaciones principales de la Compañía, y no incluye el costo del viaje para servicio en campo ni los vehículos.

Cualquier asistencia que proporcione o procure la Compañía para usted fuera de los términos, limitaciones o exclusiones de esta garantía limitada no constituirá una renuncia a dichos términos, limitaciones o exclusiones, ni dicha asistencia extenderá o renovará la garantía.

La Compañía no le reembolsará ningún gasto en el que usted haya incurrido al reparar o reemplazar cualquier Producto defectuoso, excepto los incurridos con autorización previa por escrito de la Compañía.

Cómo obtener el servicio cubierto por la garantía: Para tener derecho al servicio cubierto por la garantía, usted debe (a) notificar a la Compañía a la dirección que aparecen a continuación en un plazo de siete (7) días a partir de descubrir el defecto cubierto, (b) proporcionar el número de modelo y la identificación de la pieza, y (c) describir la naturaleza de cualquier defecto en el Producto o la pieza. Al momento de solicitar el servicio cubierto por la garantía, debe presentar un comprobante de la fecha de compra original. Si usted no puede presentar una copia de la garantía limitada original escrita, entonces regístrn los términos de la garantía limitada escrita más actualizada de la compañía para su producto en particular. Las garantías limitadas escritas más actualizadas para los productos de la Compañía se pueden encontrar en www.broan.com.

Broan-NuTone LLC 926 West State Street, Hartford, WI 53027 www.broan.com 800-637-1453