

DESCRIPTION

GRILLE:

- White polymeric grille
- Snap-in light diffusing lens for (2) 60W bulbs and 7W night light (not included)

VENTILATOR:

- Resilient anti-vibration mounts
- Plug-in, permanently lubricated motor
- Low sound, high performance blower wheel
- Polymeric, 6" round damper/duct connector - for optimal performance - with 1-1/8" long tapered sleeve and no metallic clatter

HEATER:

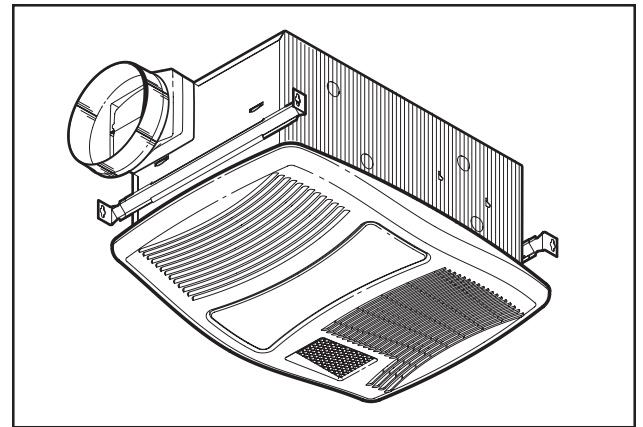
- 1500 watts, with metal blower wheel for efficient, even heating
- Plug-in, permanently lubricated motor - functions independent of ventilator

HOUSING:

- Rugged galvanized steel housing
 - Adjustable mounting brackets span up to 24"
 - Suitable for use in insulated ceilings (Type I.C.).
 - Use Model 77DV (Ivory) / 77DW (White) Four Function Control
- NOTE: For installation in ceilings up to a 12/12 pitch

Heater/Fan/Light/ Night Light

**MODEL
QTXN110HL**



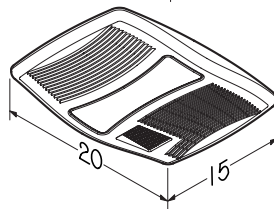
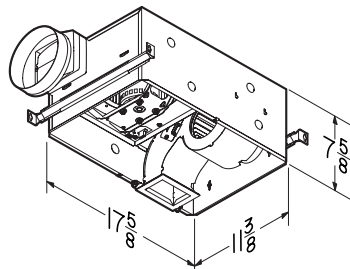
SPECIFICATIONS

VOLTS	AMPS	SONES	CFM	DUCT
120	14.6	0.9	110	6" Round



HVI-2100
CERTIFIED
RATINGS comply
with new testing
technologies and
procedures
prescribed by the
Home Ventilating

Institute, for off-the-shelf products, as they are available to consumers. Product performance is rated at 0.1 in. static pressure, based on tests conducted in AMCA's state-of-the-art test laboratory. Sones are a measure of humanly-perceived loudness, based on laboratory measurements.



ARCHITECT'S SPECIFICATION

- Combination unit shall be NuTone Model QTXN110HL.
- Unit shall have galvanized steel housing and adjustable mounting brackets.
- Unit must be rated to handle a (2) 60W bulbs.
- Fan, heater, light, and night light shall be separately controllable. Motor shall be permanently lubricated.
- Heater to deliver 1500 Watts of fan-forced heat.
- Air delivery shall be no less than 110 cfm and sound levels no greater than 0.9 sones. All air and sound ratings shall be certified by HVI.
- Unit shall be UL listed.
- Combination unit to be suitable for use in insulated ceilings. (Type I. C.)



INSTALLATION

Complete installation instructions are included with each Heater/Fan/Light/Night Light.

NuTone, Inc., 4820 Red Bank Road, Cincinnati, OH 45227 (1-888-543-8687)

REFERENCE	QTY.	REMARKS	Project
			Location
			Architect
			Engineer
			Contractor
			Submitted by Date