

## Vertical Discharge Ceiling Fan

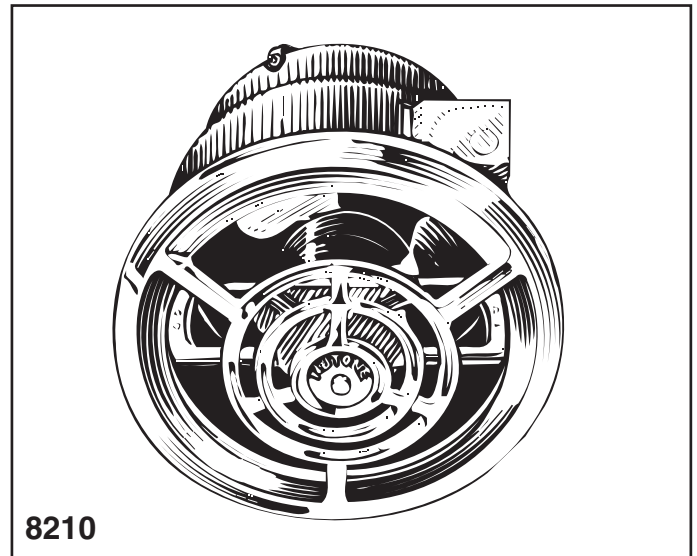
MODEL: 8210

### DESCRIPTION

- For kitchens, laundries, commercial restrooms; anywhere you want to move a large volume of air.
- For kitchens up to 105 sq. ft., baths up to 196 sq. ft., other rooms up to 262 sq. ft.
- Fan installs in the ceiling and ventilates directly through the roof with round ducting.
- Silver anodized aluminum grille installs with a single screw.
- Adjustable hanger bars for 16" or 24" O.C. joists.
- Motor mounting bracket has two slots that slide over two mounting screws on sleeve for faster installation.
- Specially designed transition-type housing reduces diameter of discharge opening to fit 7" round duct; no reducer is needed.
- Fits 9½" diameter opening in ceiling.
- Grille extends 2" from ceiling.
- Precision-balanced nylon blade.
- Purchase a Washable Permanent Filter and a switch separately from NuTone.
- Refer to NuTone's catalog for a complete line of accessories to effectively adapt this Ceiling Fan to your construction requirements.

### DESIGN FEATURES

- Air Delivery:** 210 CFM.  
**Sound Level:** 6.5 Sones.  
**Dimensions:** **Housing:** 9" diameter x 5½" deep.
- Material & Finish:** **Housing:** Galvanized steel.  
**Grille:** 11" diameter metal, silver anodized.
- Motor:** Plug-in, thermally protected.
- Fan Blade:** One-piece polymeric, 5 leaf.
- Duct Size:** 7" diameter.
- Electric Rating:** 120v, 60Hz, 0.8Amp



### INSTALLATION

- Housing installs in ceiling during rough-in stage of construction.
- Adjustable mounting brackets are furnished on the housing. Extension-type hanger bars included for 16" or 24" O.C. joists. Motor mounts over two (2) screws located in the housing.
- Installation Instructions are included with each unit.

### ARCHITECT'S SPECIFICATIONS

Vertical Discharge Ceiling Fan shall be Model 8210 as manufactured by NuTone according to listed specifications. Fan shall ventilate at 210 CFM @ 0.10" S.P. and a sound level of 6.5 Sones. Housing shall measure 9" diameter x 5½" deep and connect to 7" round duct.

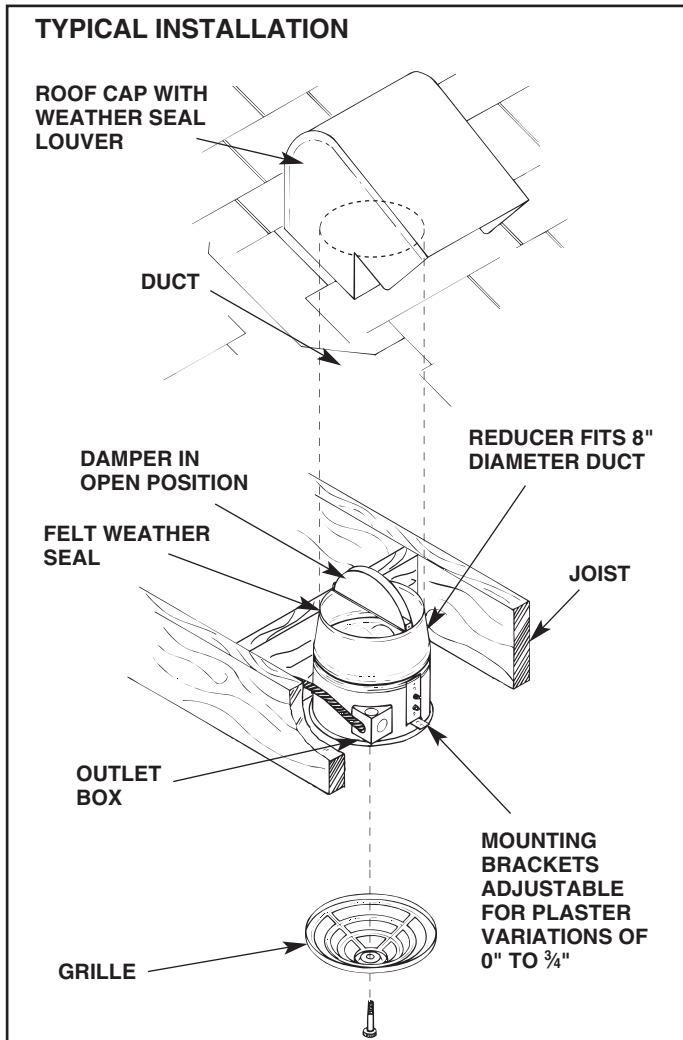
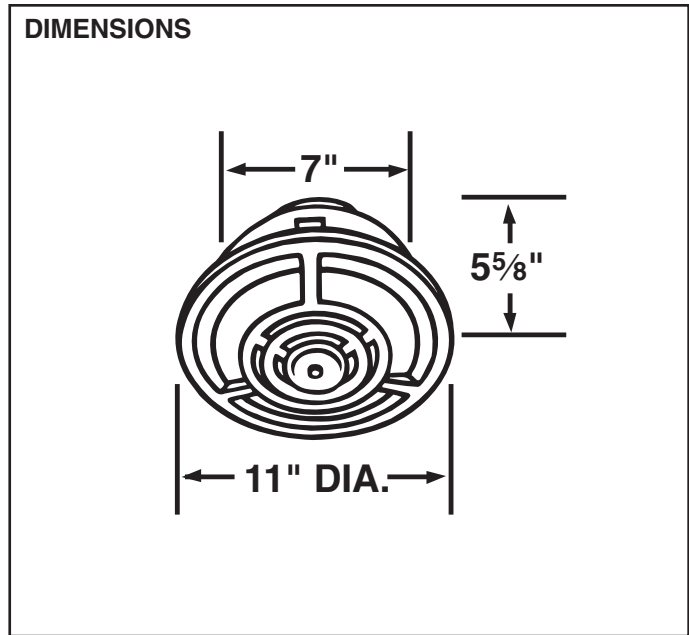


## CERTIFIED TEST DATA

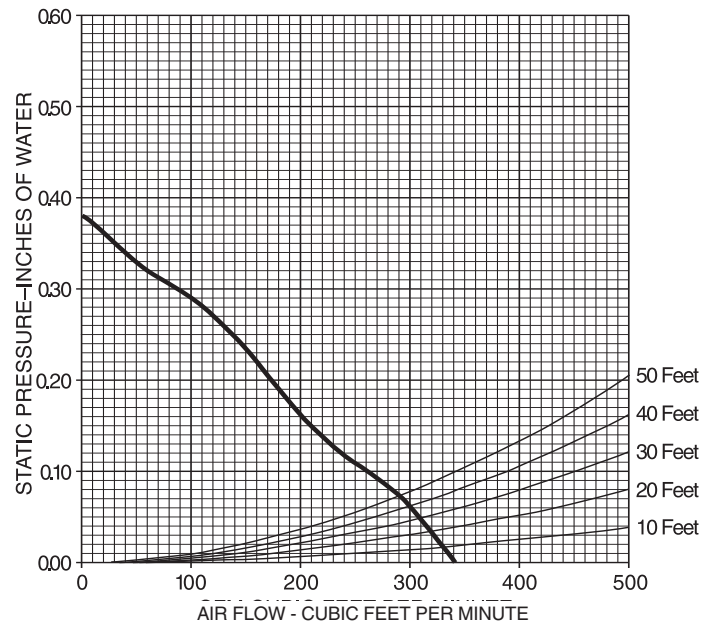
HVI-2100 CERTIFIED RATINGS comply with new testing technologies and procedures prescribed by the Home Ventilating Institute, for off-the-shelf products, as they are available to consumers. Product performance is rated at 0.1 in. static pressure, based on tests conducted in AMCA's state-of-the-art test laboratory. Sones are a measure of humanly-perceived loudness, based on laboratory measurements. This NuTone model is listed by Underwriters' Laboratories Inc.

### The air delivery of a ventilating system may be determined by:

1. Determine the equivalent duct length for each 90 degree elbow by adding one foot of duct length for each inch of duct diameter, i.e., a 4 inch diameter duct elbow equals 4 feet equivalent duct length and an 8 inch diameter duct elbow equals 8 feet equivalent duct length.
2. Add the total straight length of duct and the equivalent length for each elbow to obtain the total equivalent duct length.
3. Locate the intersection of the fan performance curve and the total equivalent duct length curve and draw a vertical line down to the CFM scale and read the system air performance.



### AIR PERFORMANCE CURVE (7 In. Duct)



STATIC PRESSURE (INCHES OF WATER)	0.05	0.1	.125	0.15	0.2	0.25	0.3
Air flow (CFM)	244	210	180	170	112	65	0

Product specifications subject to change without notice.

NuTone, Inc., 4820 Red Bank Road, Cincinnati, Ohio 45227  
Printed in U.S.A.